

US00D493301S1

(12) **United States Design Patent**
Robertson

(10) **Patent No.:** **US D493,301 S**
(45) **Date of Patent:** **** Jul. 27, 2004**

(54) **PODIUM**

(76) Inventor: **Kim Robertson**, 14 S. 1300 West,
Blackfoot, ID (US) 83221

(**) Term: **14 Years**

(21) Appl. No.: **29/182,173**

(22) Filed: **May 21, 2003**

(51) **LOC (7) Cl.** **06-06**

(52) **U.S. Cl.** **D6/419; D6/511**

(58) **Field of Search** D6/300-303, 308-314,
D6/419, 420, 511; 248/441.1, 442.2, 446,
451, 452, 460, 463

(56) **References Cited**

U.S. PATENT DOCUMENTS

D186,181 S * 9/1959 Silkenat D6/418
D288,099 S * 2/1987 Abitz D6/419
D293,531 S * 1/1988 Wright et al. D6/511

* cited by examiner

Primary Examiner—Janice E. Seeger
(74) *Attorney, Agent, or Firm*—Ormiston & McKinney,
PLLC

(57) **CLAIM**

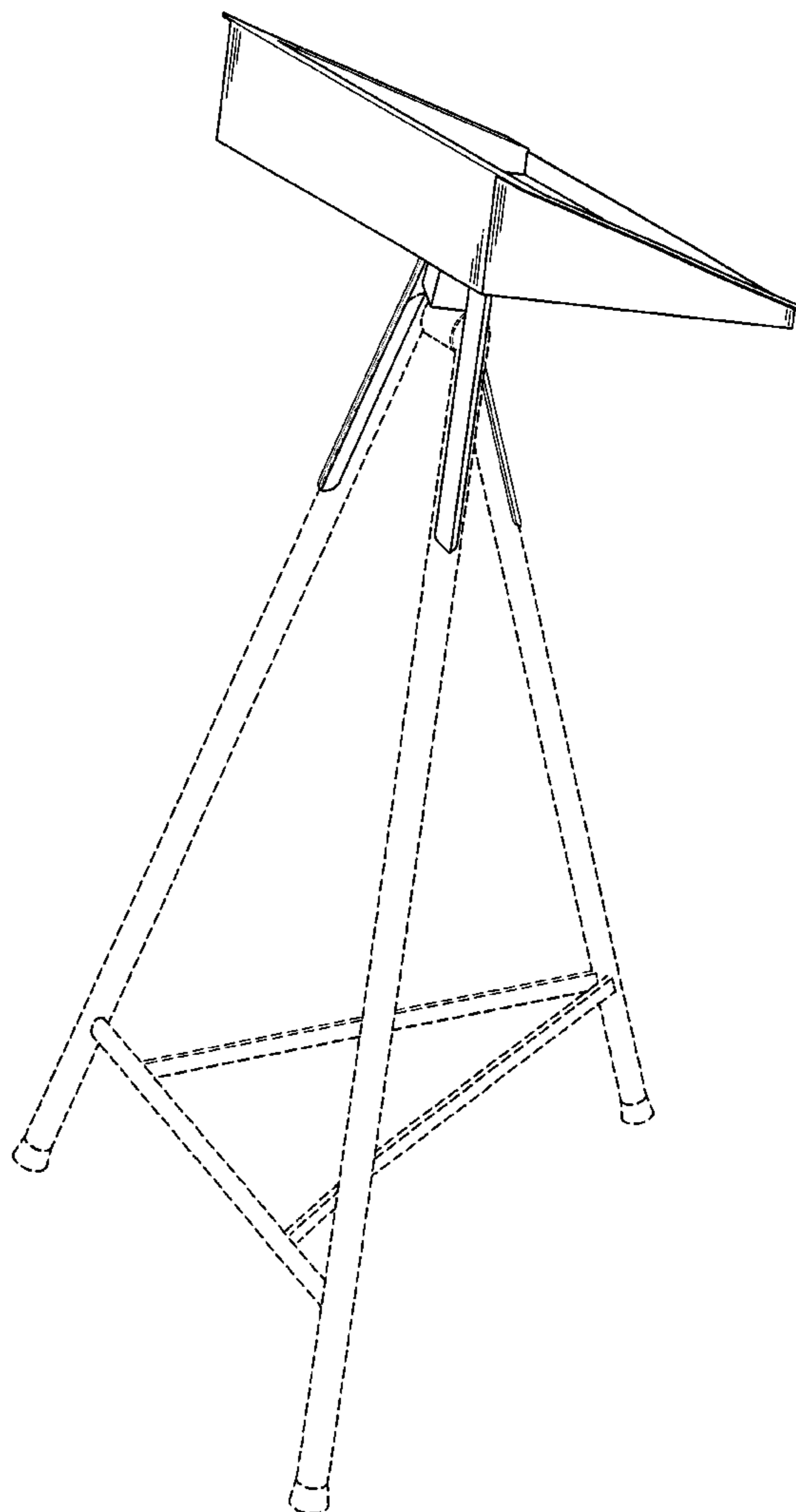
The ornamental design for a podium, as shown and described.

DESCRIPTION

FIG. 1 is a right-rear perspective view showing a first embodiment of the new podium design;
FIG. 2 is a top view thereof;
FIG. 3 is a left-side view thereof (the right-side view is not shown but is a mirror image of the view shown in FIG. 3);
FIG. 4 is a rear view thereof;
FIG. 5 is a front view thereof; and,
FIG. 6 is a bottom view thereof.

The broken lines in FIGS. 1, 3, 4, and 5 are for illustrative purposes only and form no part of the claimed design.

1 Claim, 6 Drawing Sheets



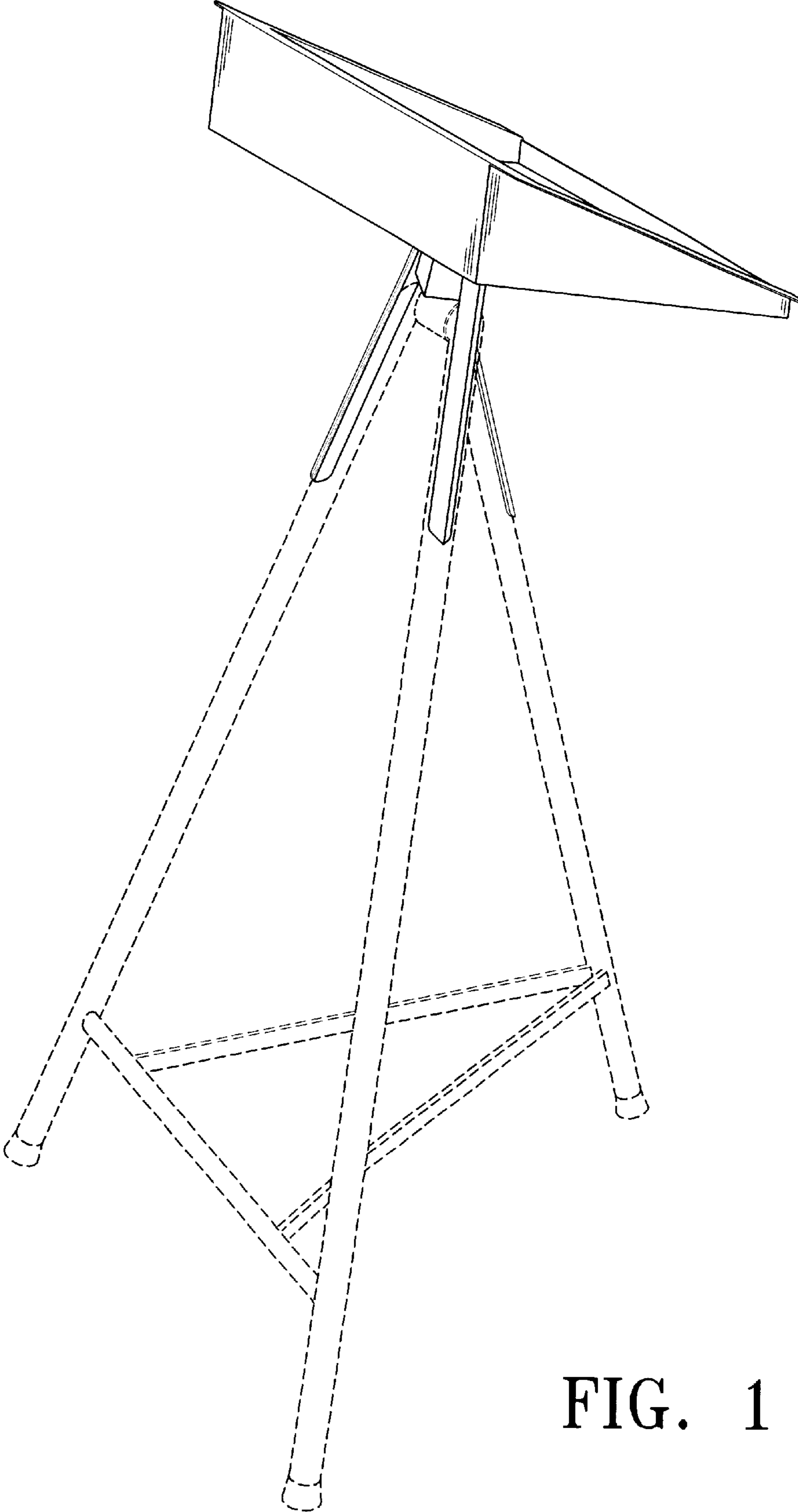


FIG. 1

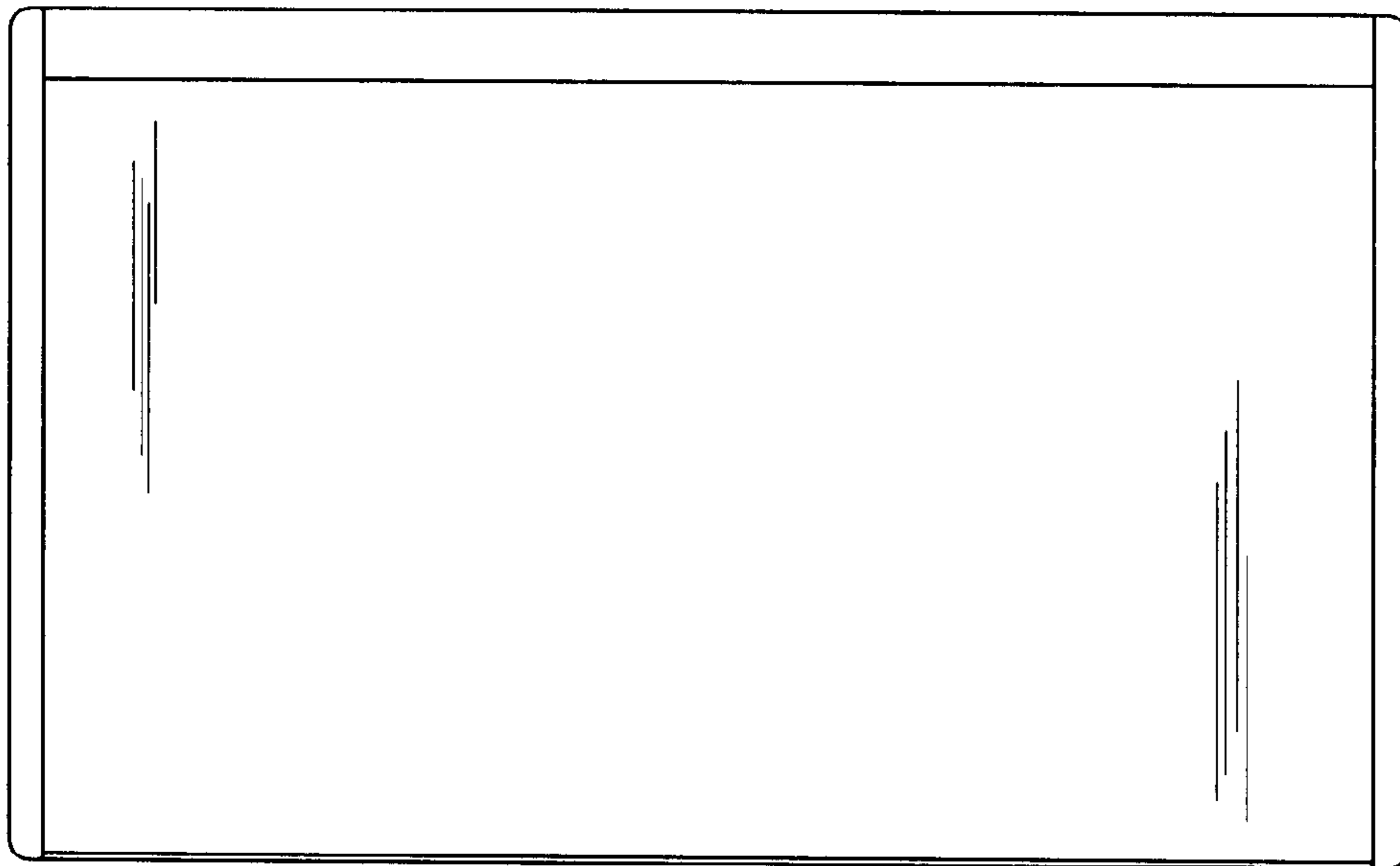


FIG. 2

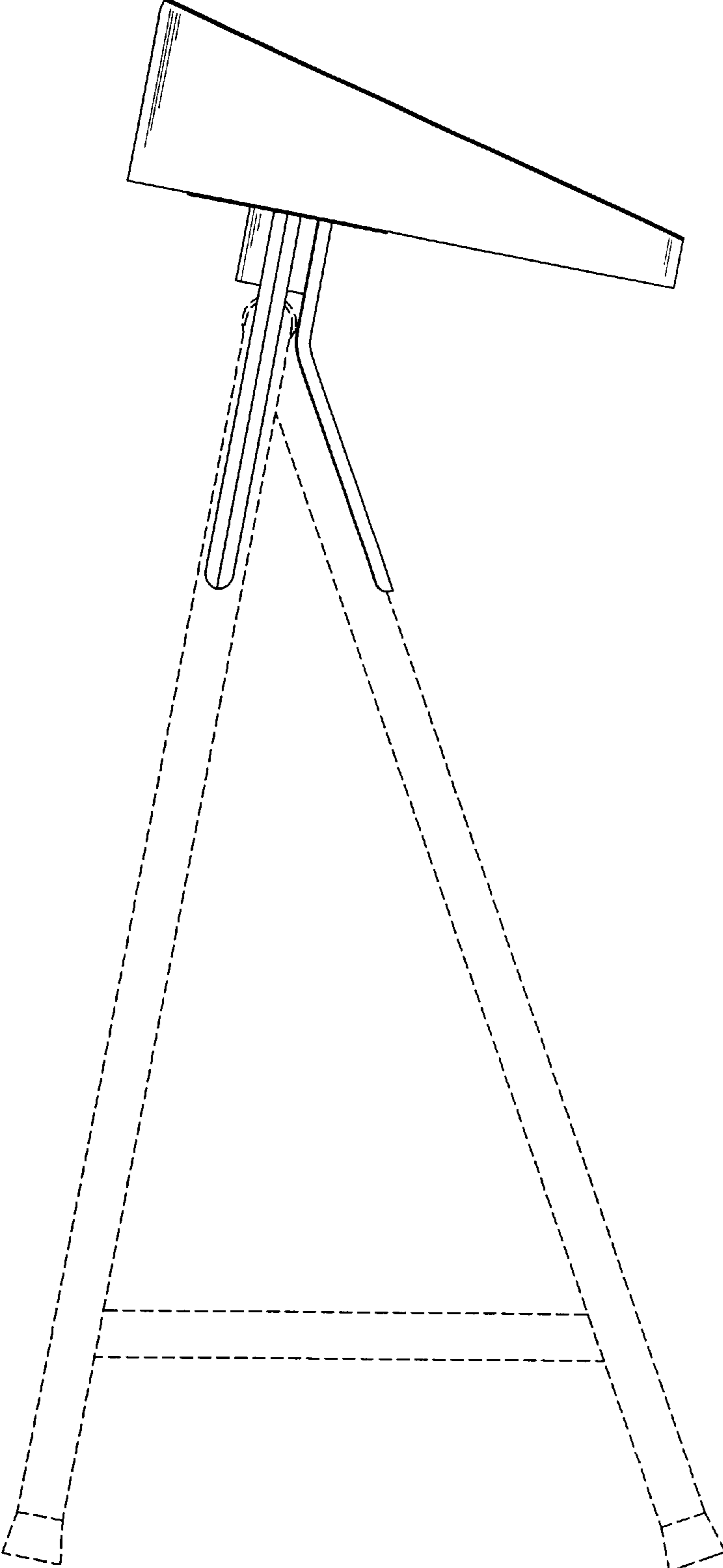


FIG. 3

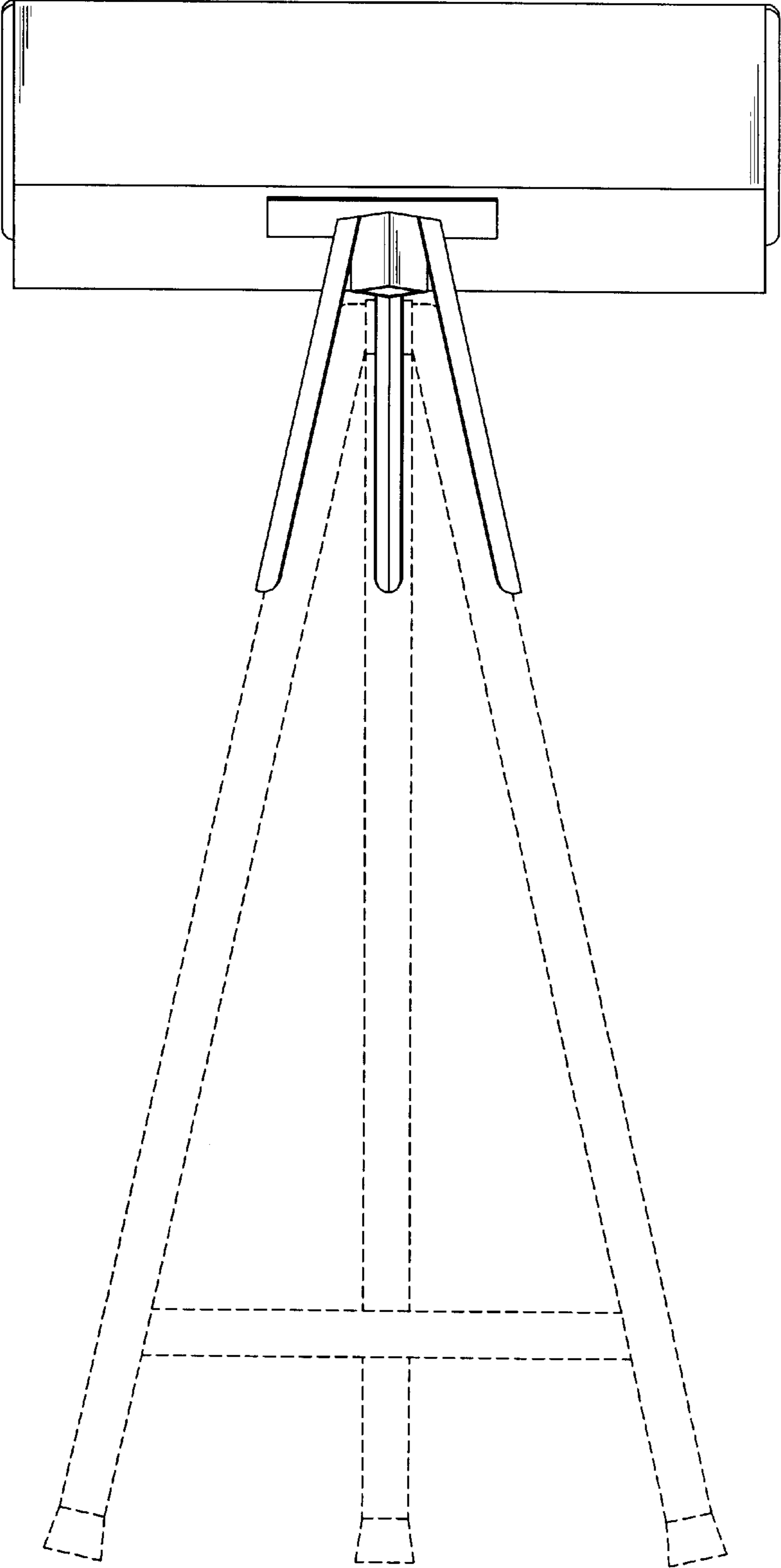


FIG. 4

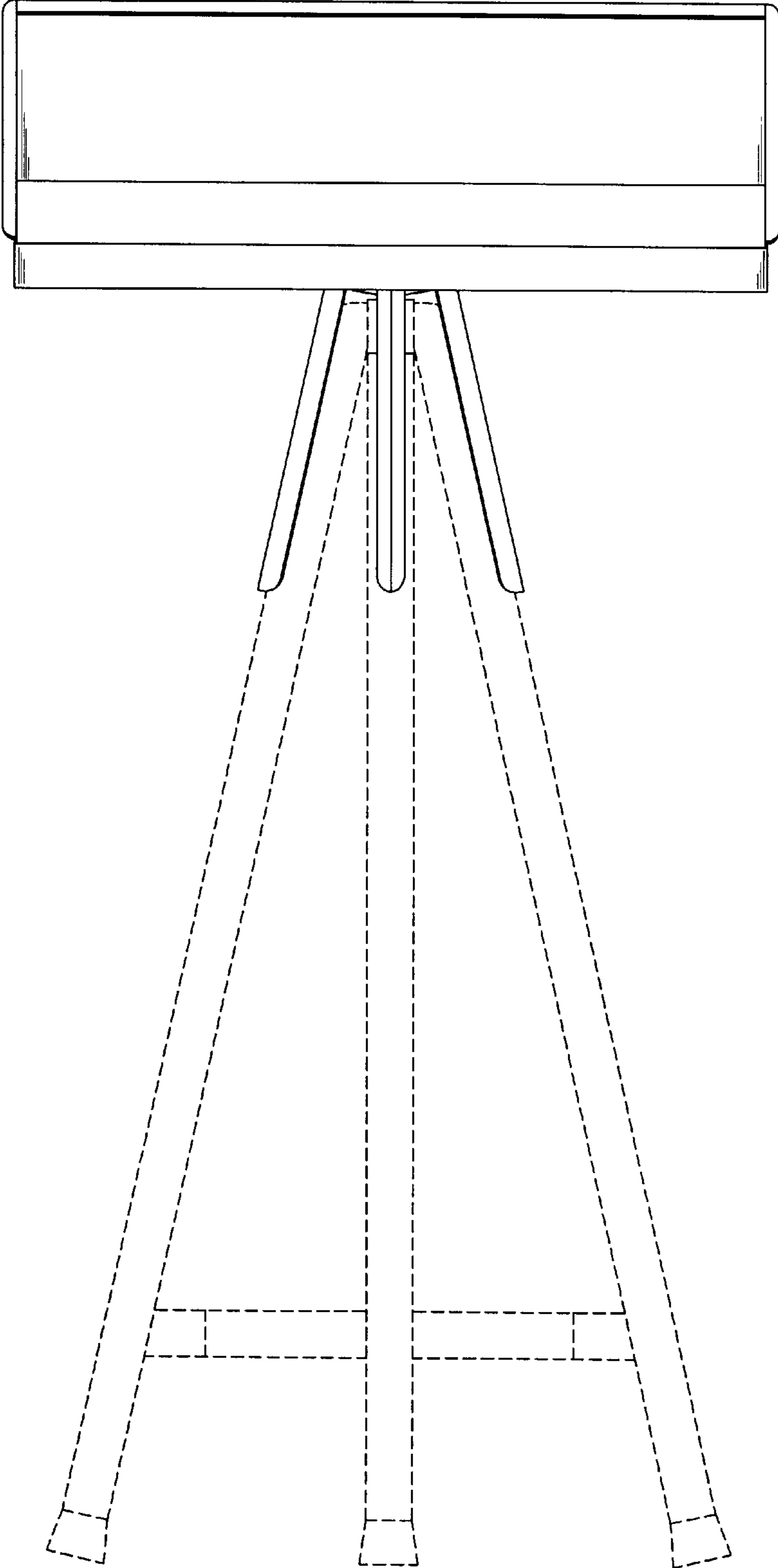


FIG. 5

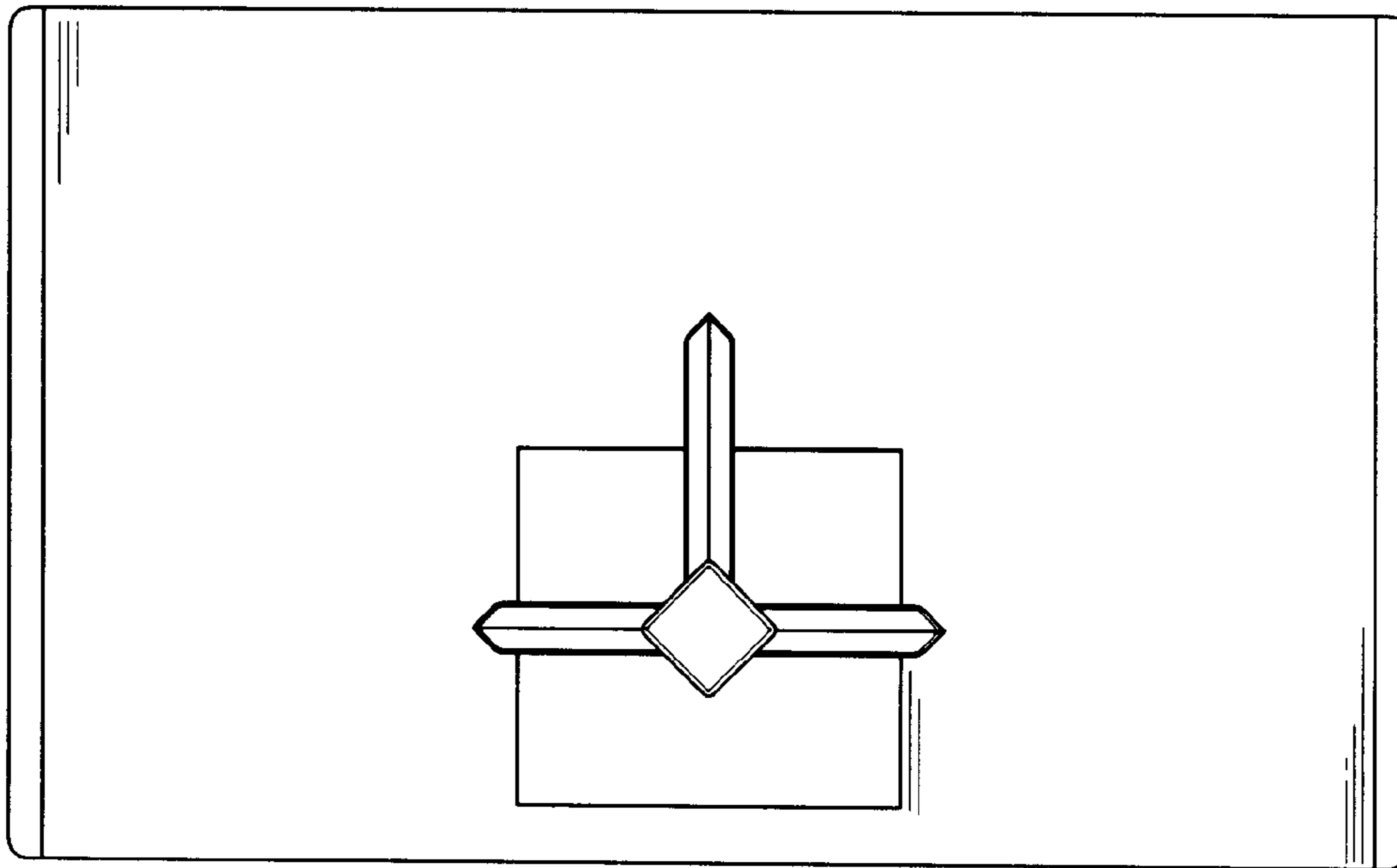


FIG. 6