

US00D493293S1

(12) **United States Design Patent**
Vira

(10) **Patent No.:** **US D493,293 S**

(45) **Date of Patent:** **** Jul. 27, 2004**

(54) **OTTOMAN**

(76) **Inventor:** **James A. Vira**, 220 E. 36th St. Apt. A-2, New York, NY (US) 10016

(**) **Term:** **14 Years**

(21) **Appl. No.:** **29/192,726**

(22) **Filed:** **Oct. 29, 2003**

(51) **LOC (7) Cl.** **06-01**

(52) **U.S. Cl.** **D6/349**

(58) **Field of Search** D6/349-353, 336;
297/461, 462, 181, 423.1, 423.39, 423.41

(56) **References Cited**

U.S. PATENT DOCUMENTS

- D170,100 S * 7/1953 Torsak D6/353
- D245,949 S * 10/1977 Amey et al. D6/349
- D410,796 S * 6/1999 Sabo D6/349

* cited by examiner

Primary Examiner—Janice Seeger

(74) *Attorney, Agent, or Firm*—John Vira

(57) **CLAIM**

The ornamental design for an ottoman, as shown and described.

DESCRIPTION

FIG. 1 is a front perspective view of the ottoman.

FIG. 2 is a rear perspective view of thereof.

FIG. 3 is a front elevation view thereof.

FIG. 4 is a right side elevation view thereof.

FIG. 5 is a left side elevation view thereof.

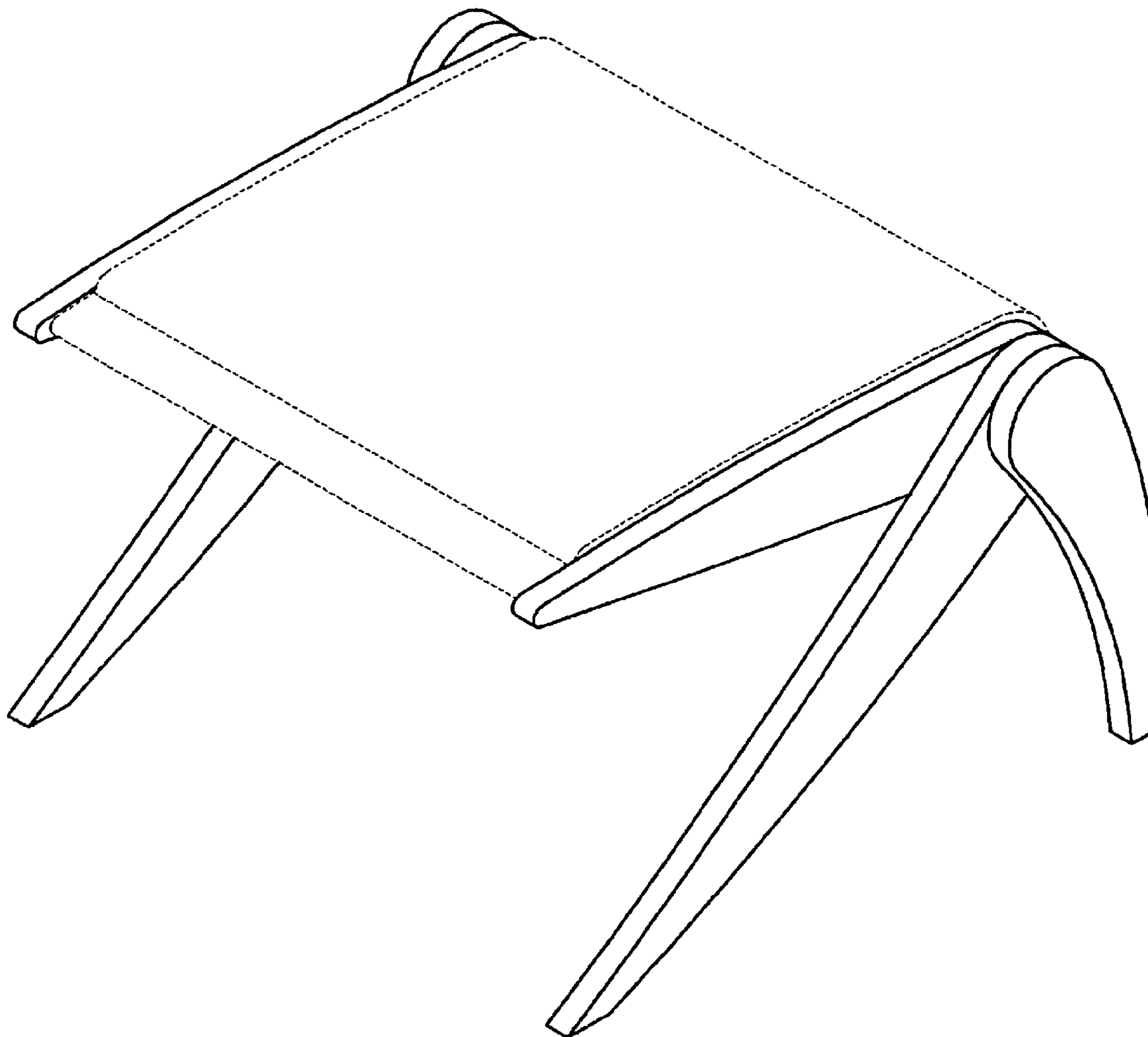
FIG. 6 is a rear elevation view thereof.

FIG. 7 is a top plan view thereof; and,

FIG. 8 is a bottom plan view thereof.

The broken lines are for environmental purposes only and form no part of the claimed design.

1 Claim, 8 Drawing Sheets



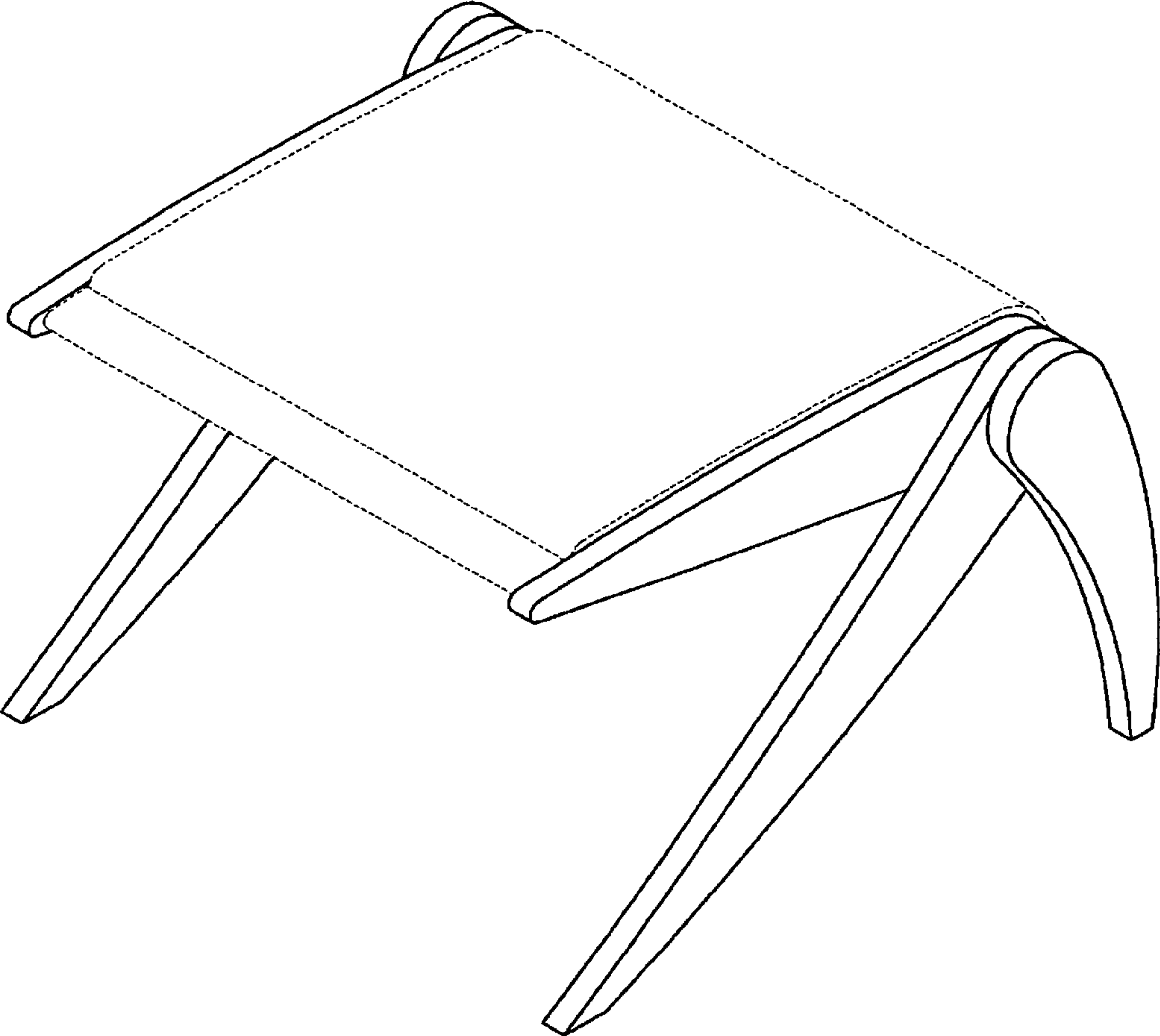


FIG. 1

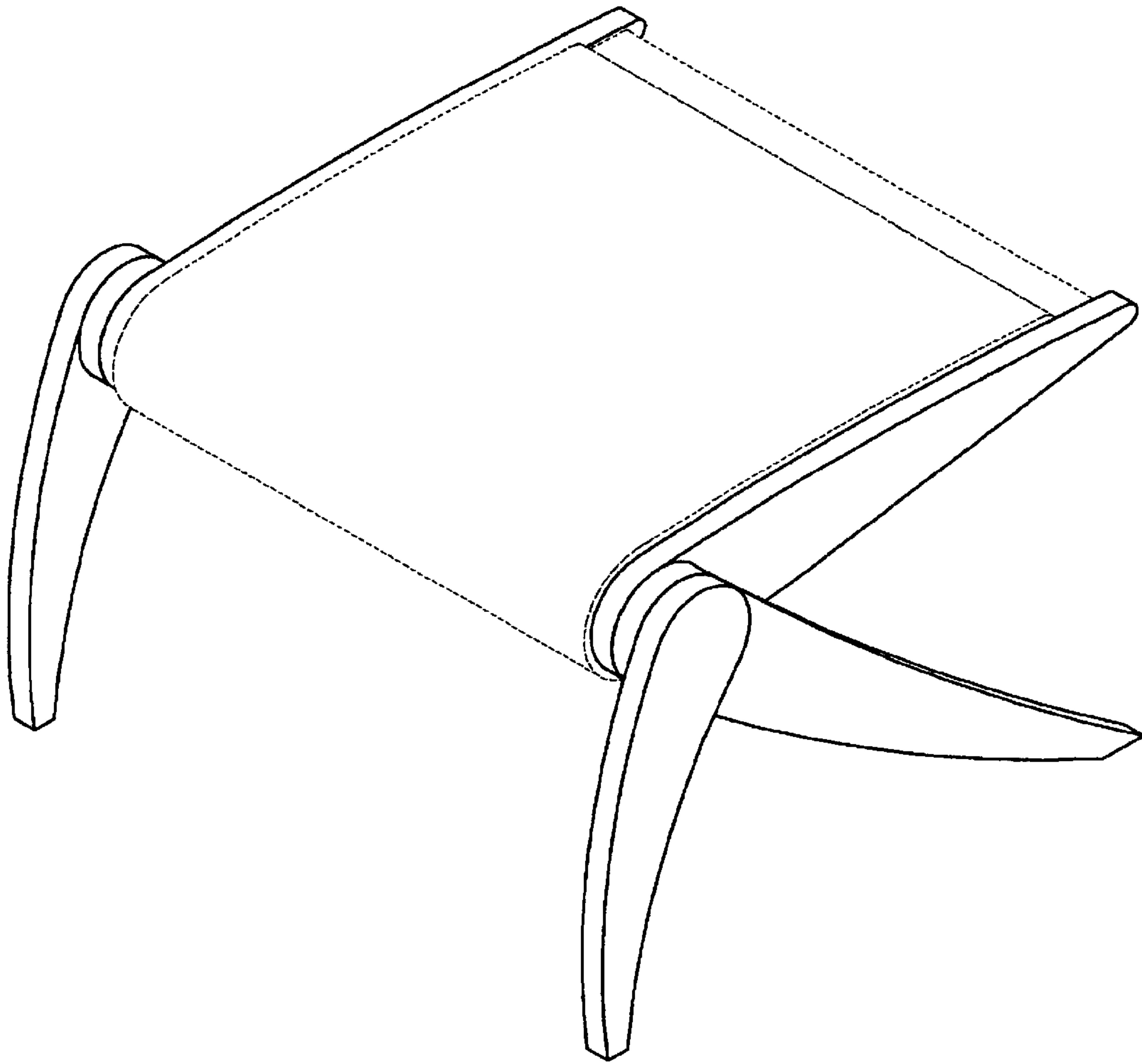


FIG. 2

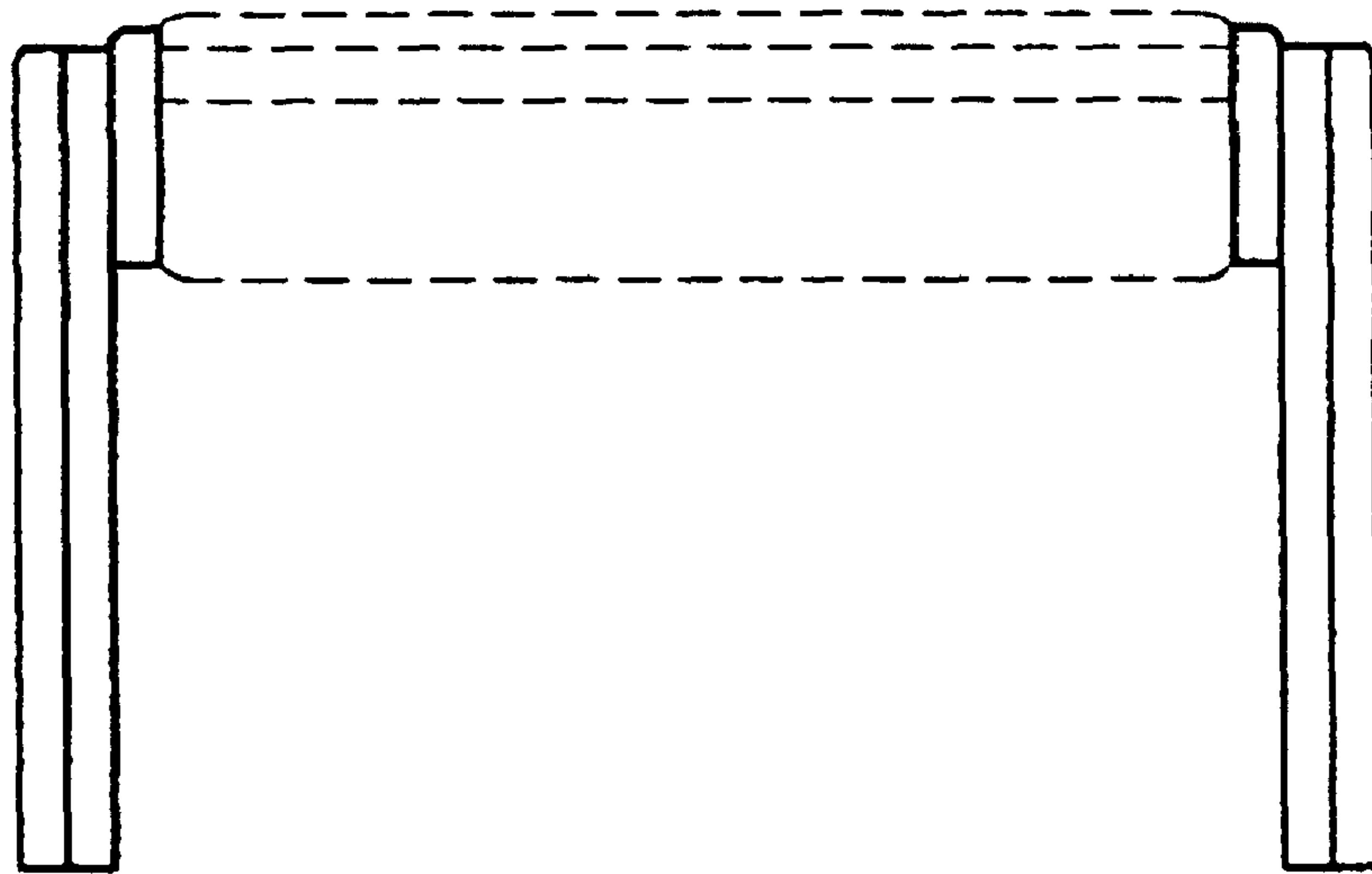


FIG. 3

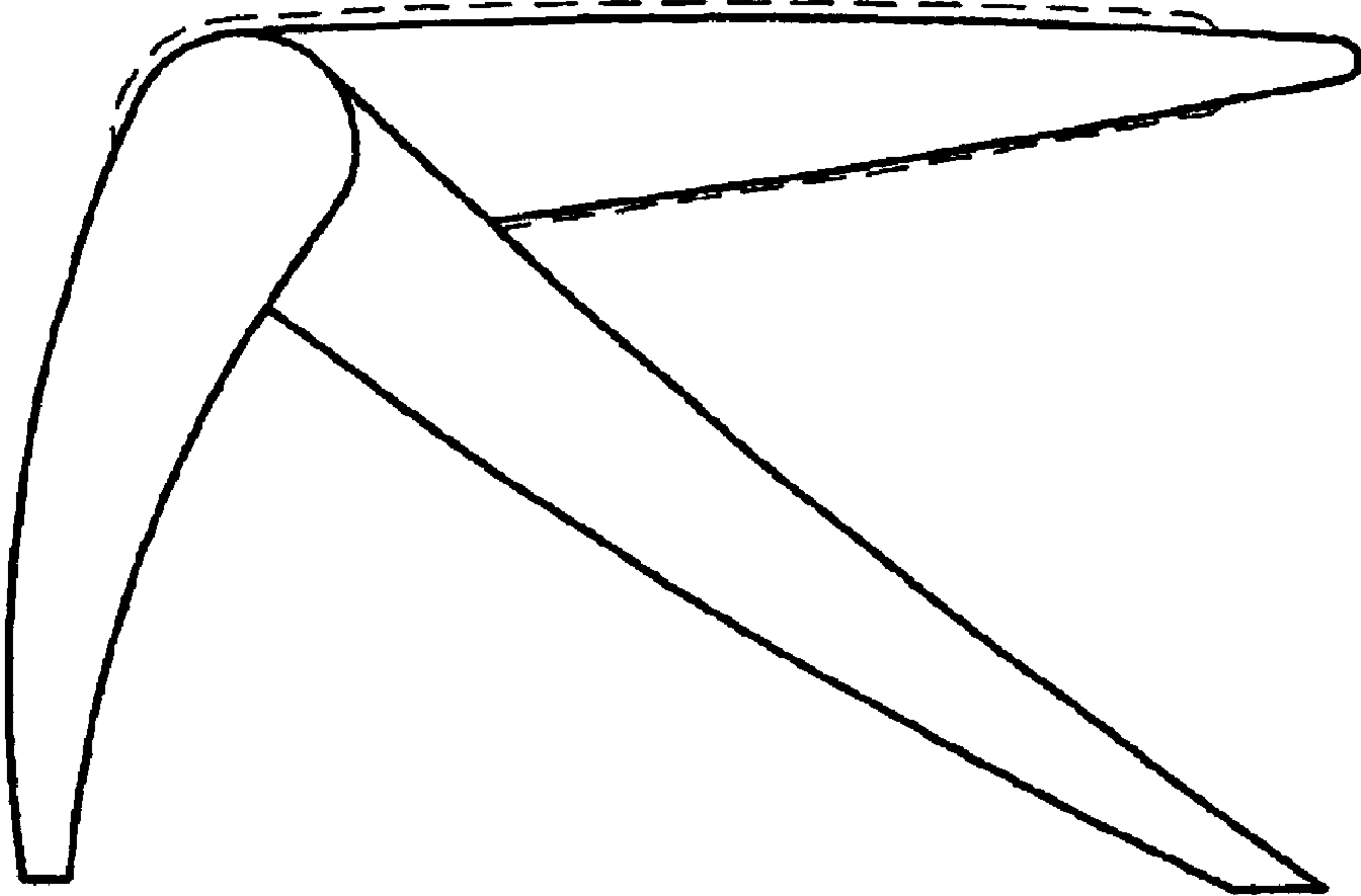


FIG. 4

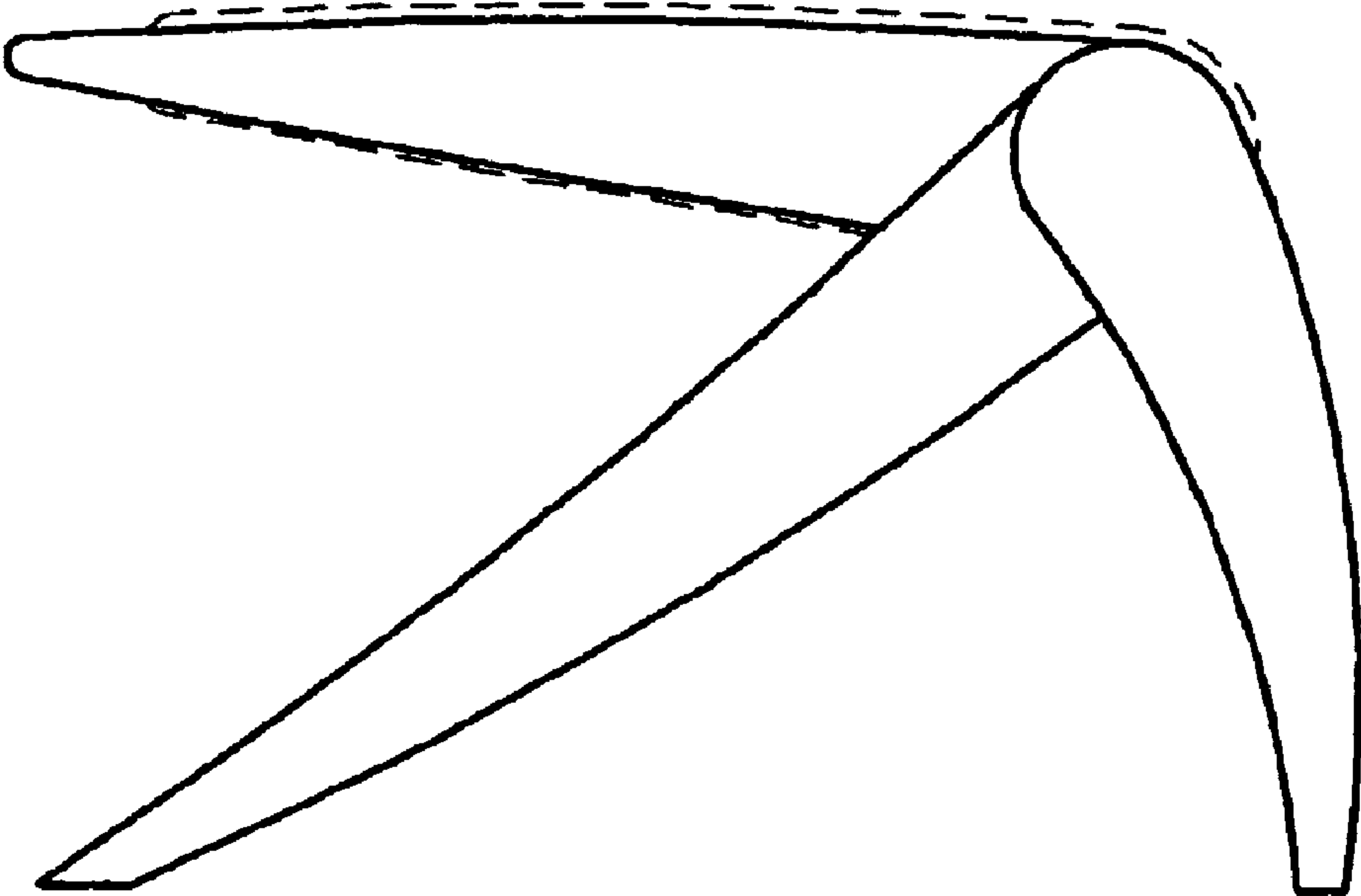


FIG. 5

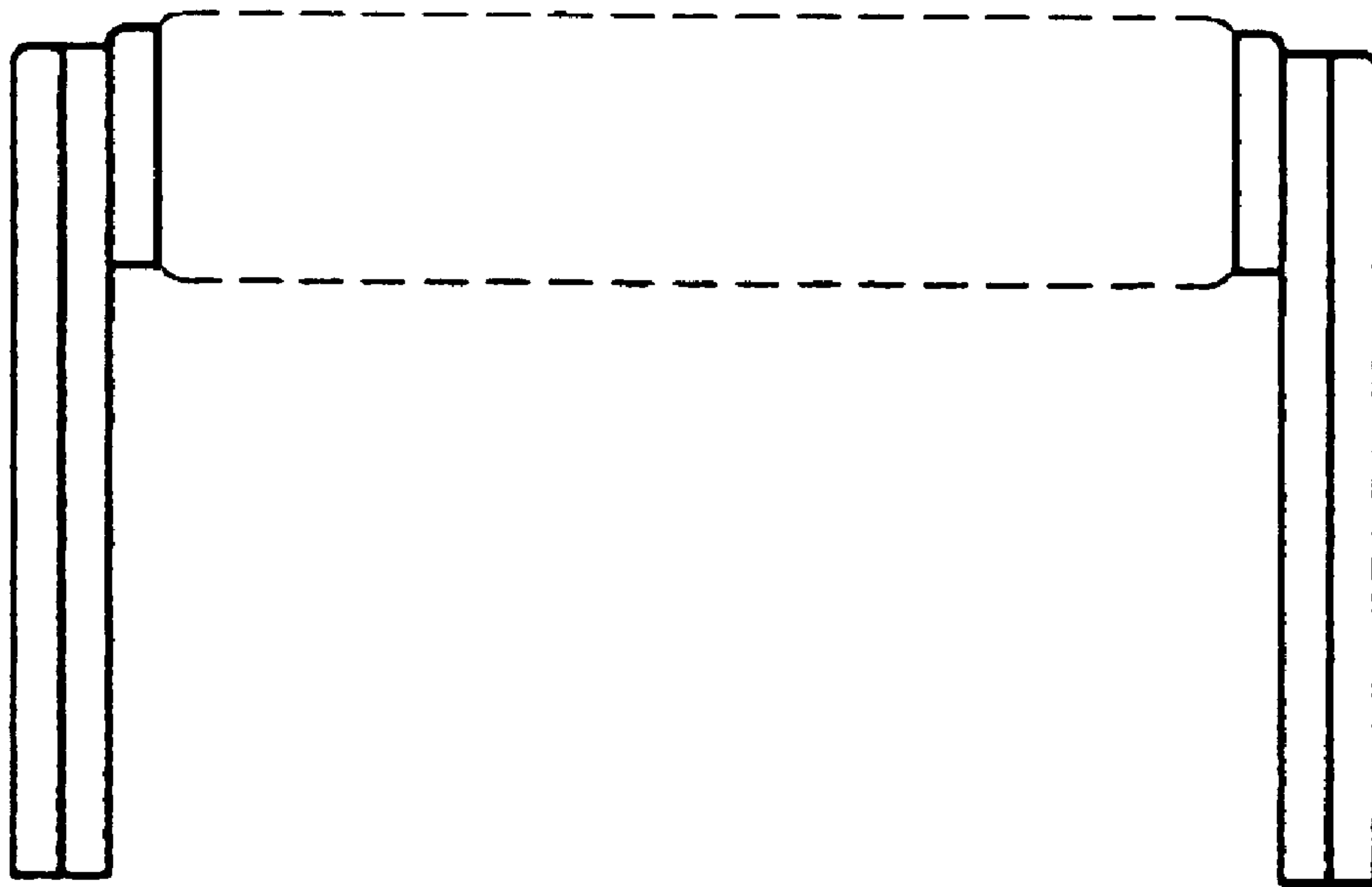


FIG. 6

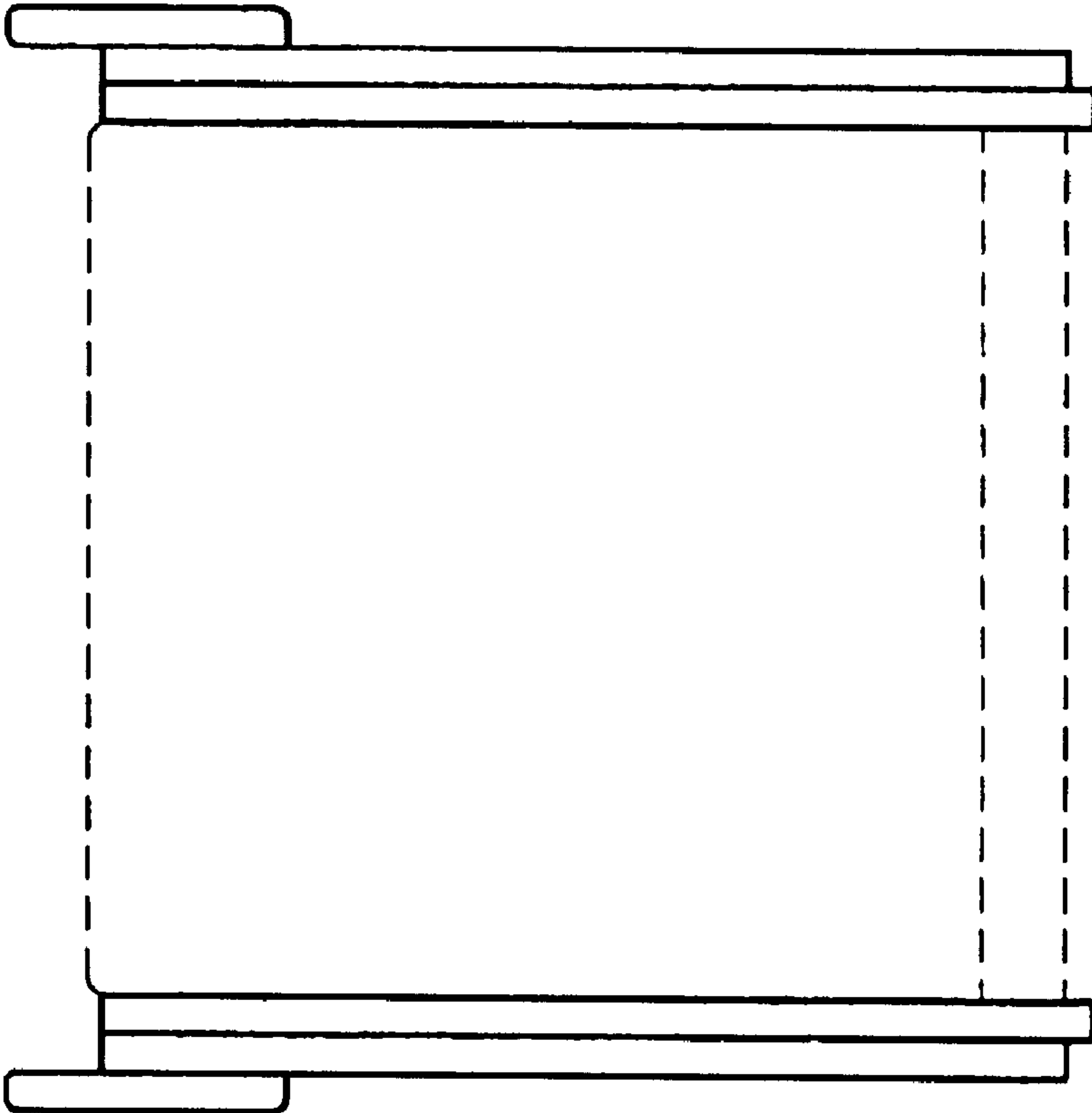


FIG. 7

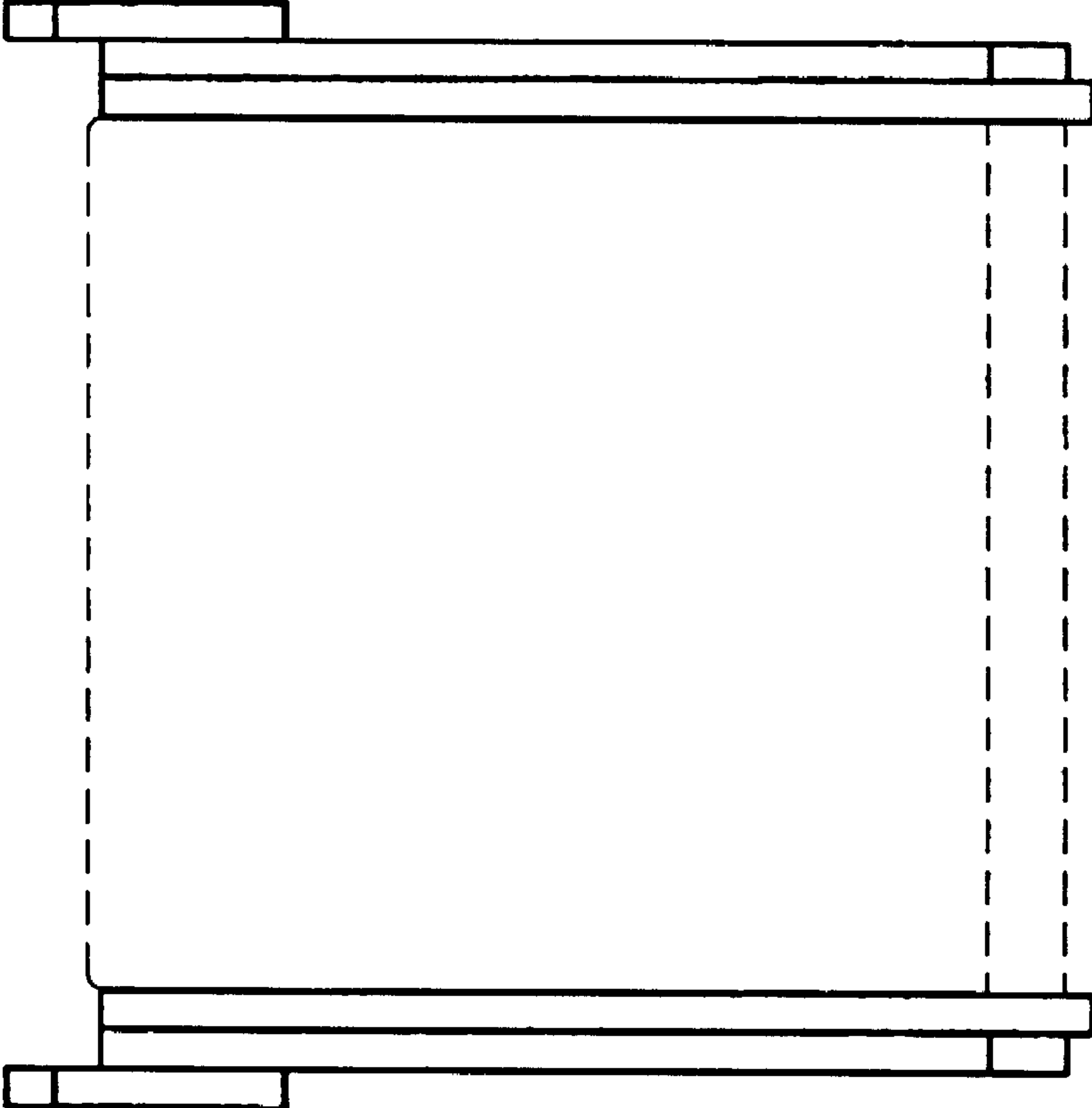


FIG. 8