

US00D493289S1

(12) **United States Design Patent** (10) **Patent No.:** **US D493,289 S**
Klein et al. (45) **Date of Patent:** **** Jul. 27, 2004**

(54) **OVER DOOR SHOE RACK**

(75) Inventors: **Richard B. Klein**, Overland Park, KS (US); **John W. Scott**, Lenexa, KS (US); **Chris Serslev**, Leawood, KS (US)

(73) Assignee: **Lynk, Inc.**, Lenexa, KS (US)

(**) Term: **14 Years**

(21) Appl. No.: **29/165,912**

(22) Filed: **Aug. 20, 2002**

(51) **LOC (7) Cl.** **06-08**

(52) **U.S. Cl.** **D6/320; D6/513**

(58) **Field of Search** **D6/513, 514, 570, D6/315, 320; 211/34, 85.3, 115, 113, 119, 35**

(56) **References Cited**

U.S. PATENT DOCUMENTS

1,769,344 A	1/1930	Hoffmire	
2,067,095 A	1/1937	Pease	
D139,415 S	11/1944	Brown	
D287,550 S	* 1/1987	Tocci D6/320
4,688,681 A	8/1987	Bergeron	
D377,728 S	2/1997	Klein et al.	
D381,225 S	7/1997	Malik	

D382,434 S	8/1997	Klein et al.	
5,695,073 A	12/1997	Klein et al.	
D393,970 S	* 5/1998	Lee D6/514
D407,908 S	* 4/1999	Dickinson et al. D6/320
6,138,841 A	10/2000	Klein et al.	

* cited by examiner

Primary Examiner—B. J. Bullock

(74) *Attorney, Agent, or Firm*—Shook, Hardy & Bacon L.L.P

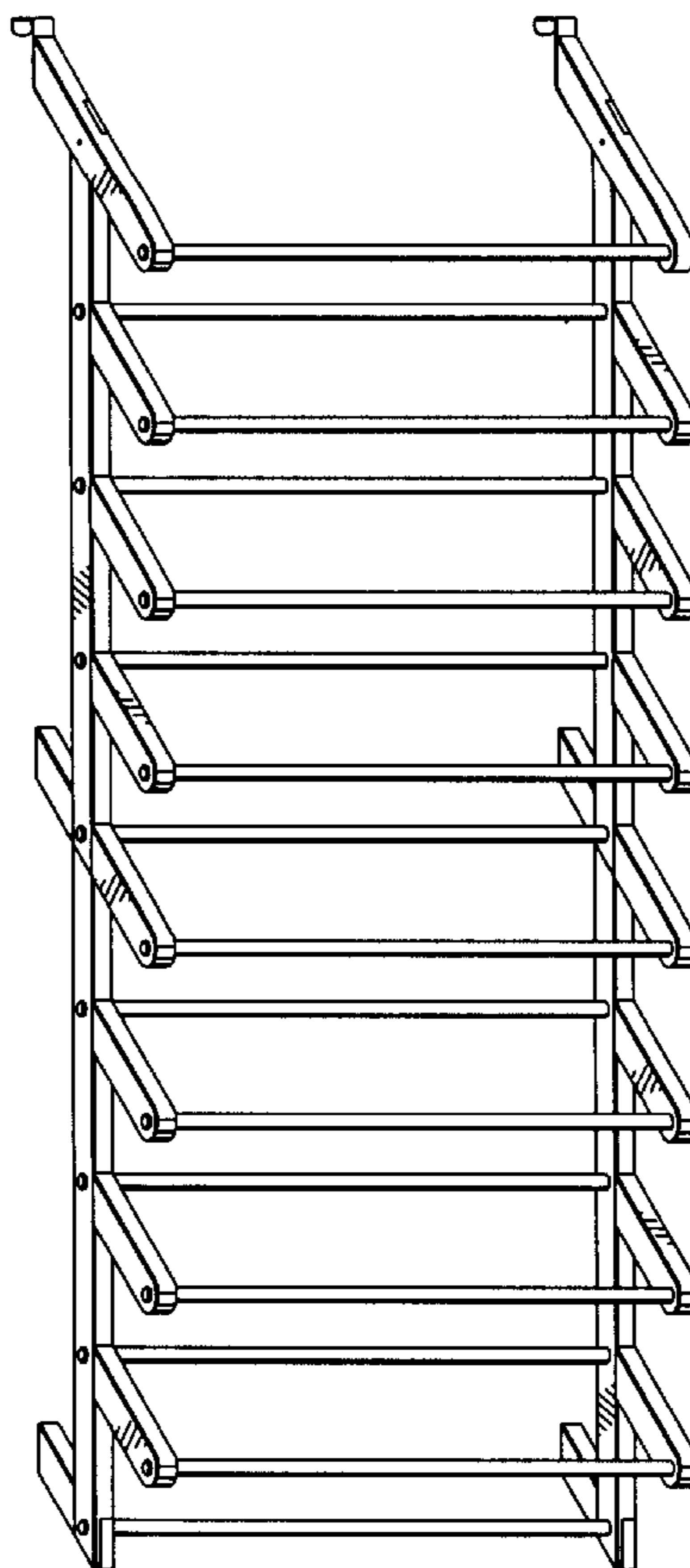
(57) **CLAIM**

The ornamental design for an over door shoe rack, as shown and described.

DESCRIPTION

FIG. 1 is a perspective view of an over door shoe rack showing our new design;
 FIG. 2 is a front elevational view thereof;
 FIG. 3 is a rear elevational view thereof;
 FIG. 4 is a top plan view thereof;
 FIG. 5 is a bottom plan view thereof;
 FIG. 6 is a side elevational view thereof taken from the right side; and,
 FIG. 7 is a side elevational view thereof taken from the right side.

1 Claim, 3 Drawing Sheets



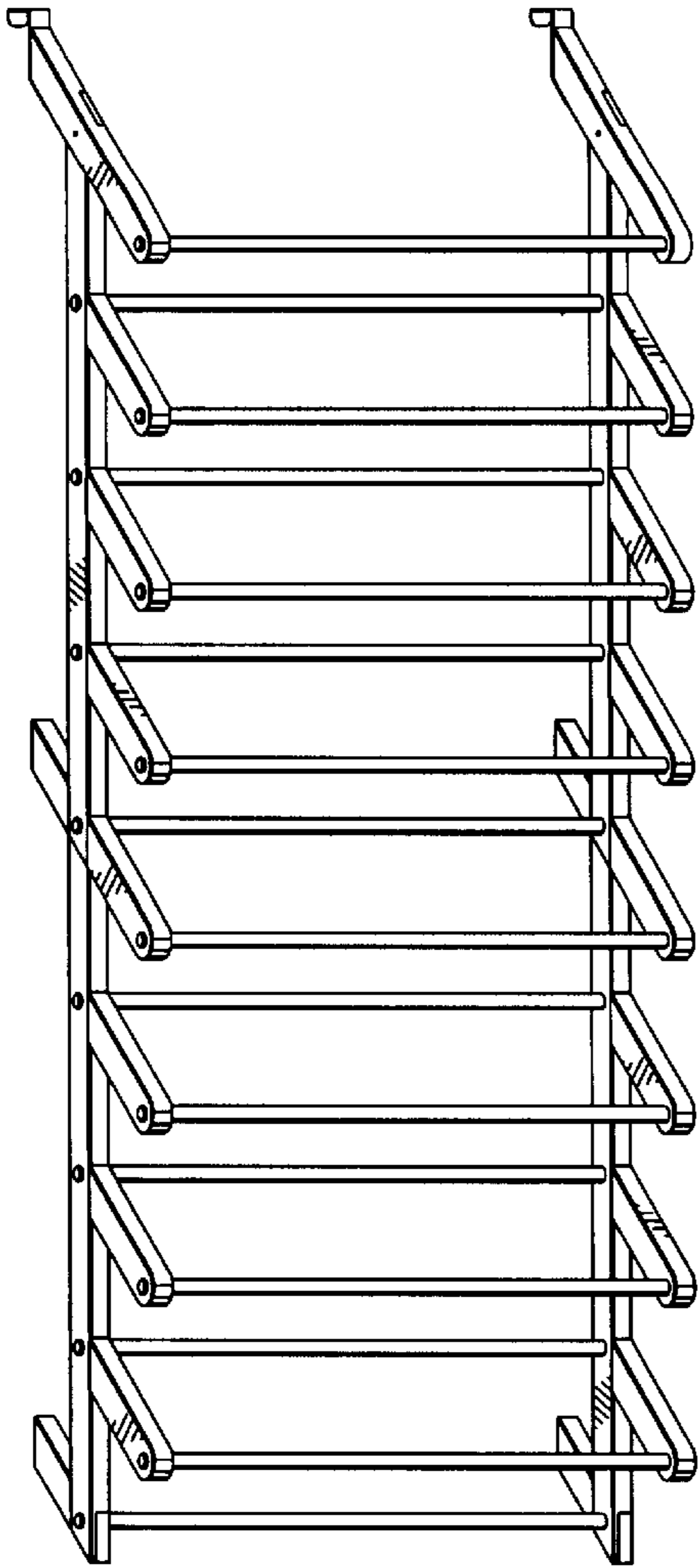


FIG. 1.

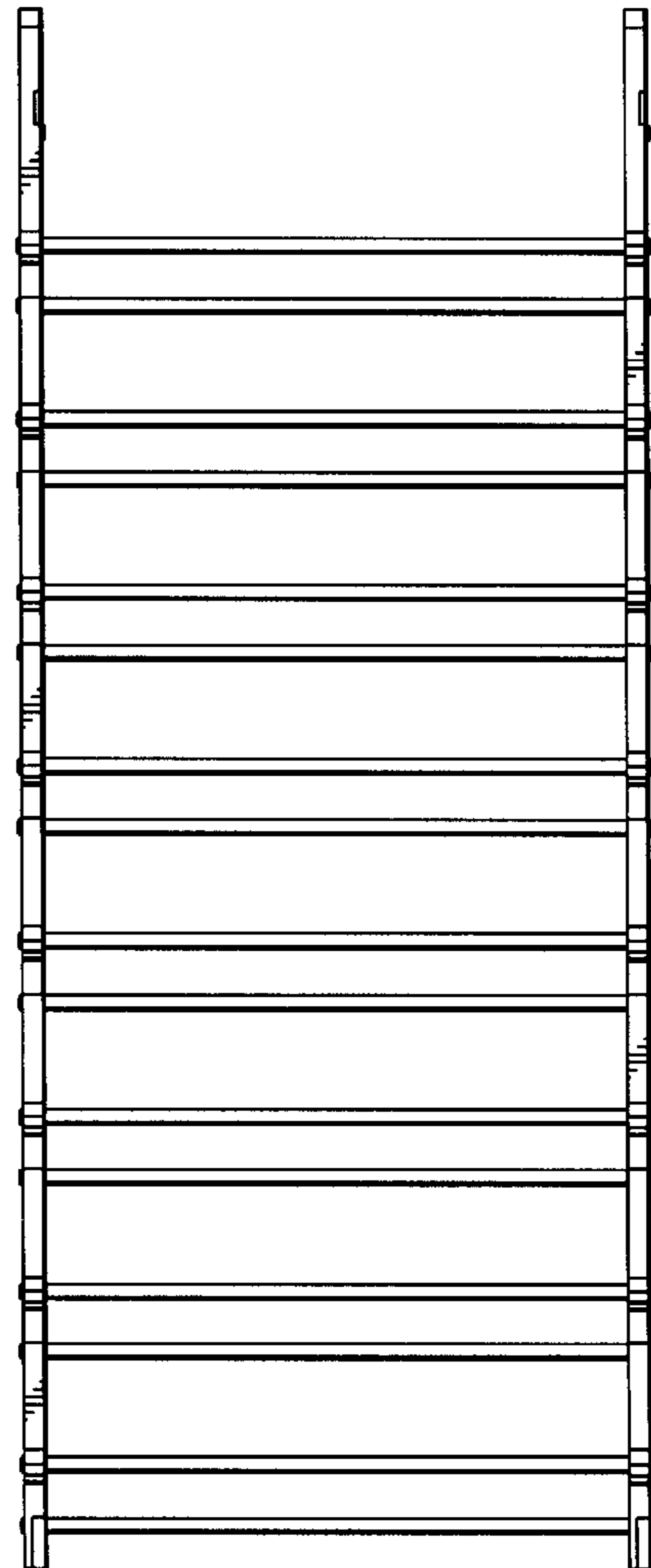


FIG. 2.

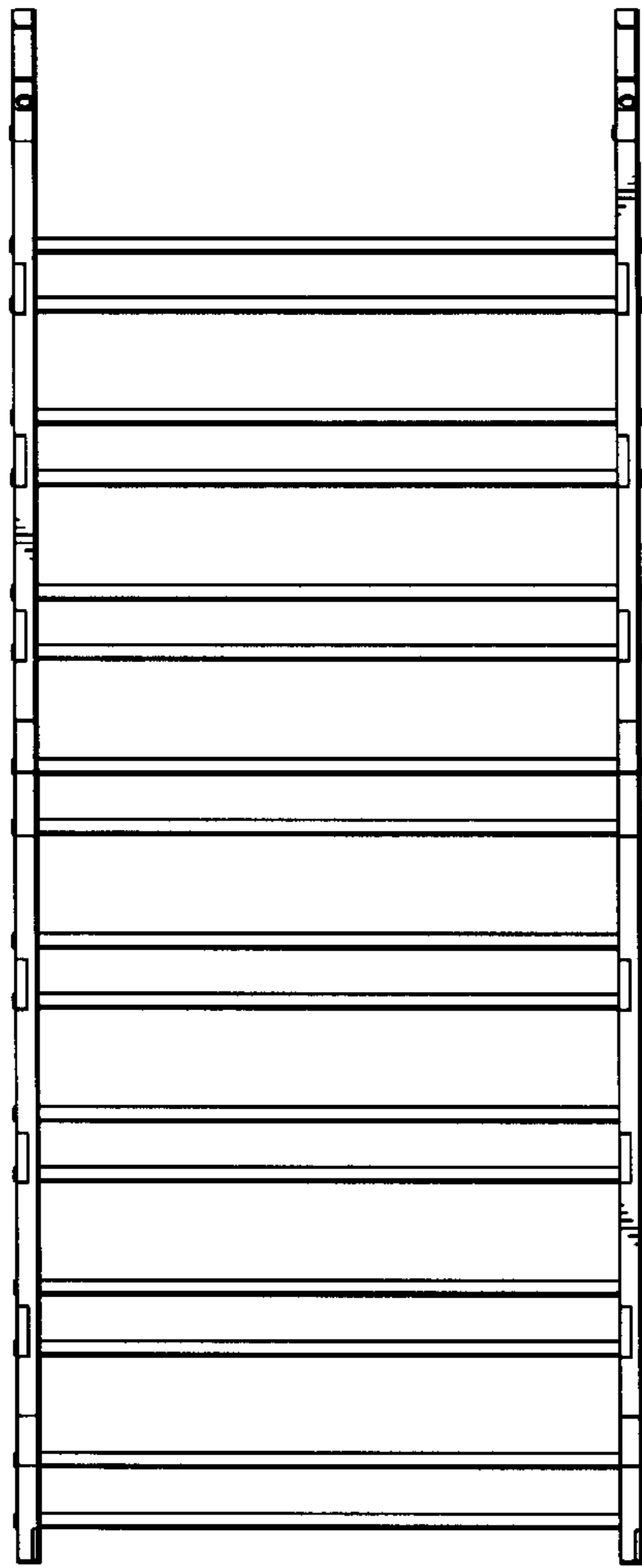


FIG. 3.

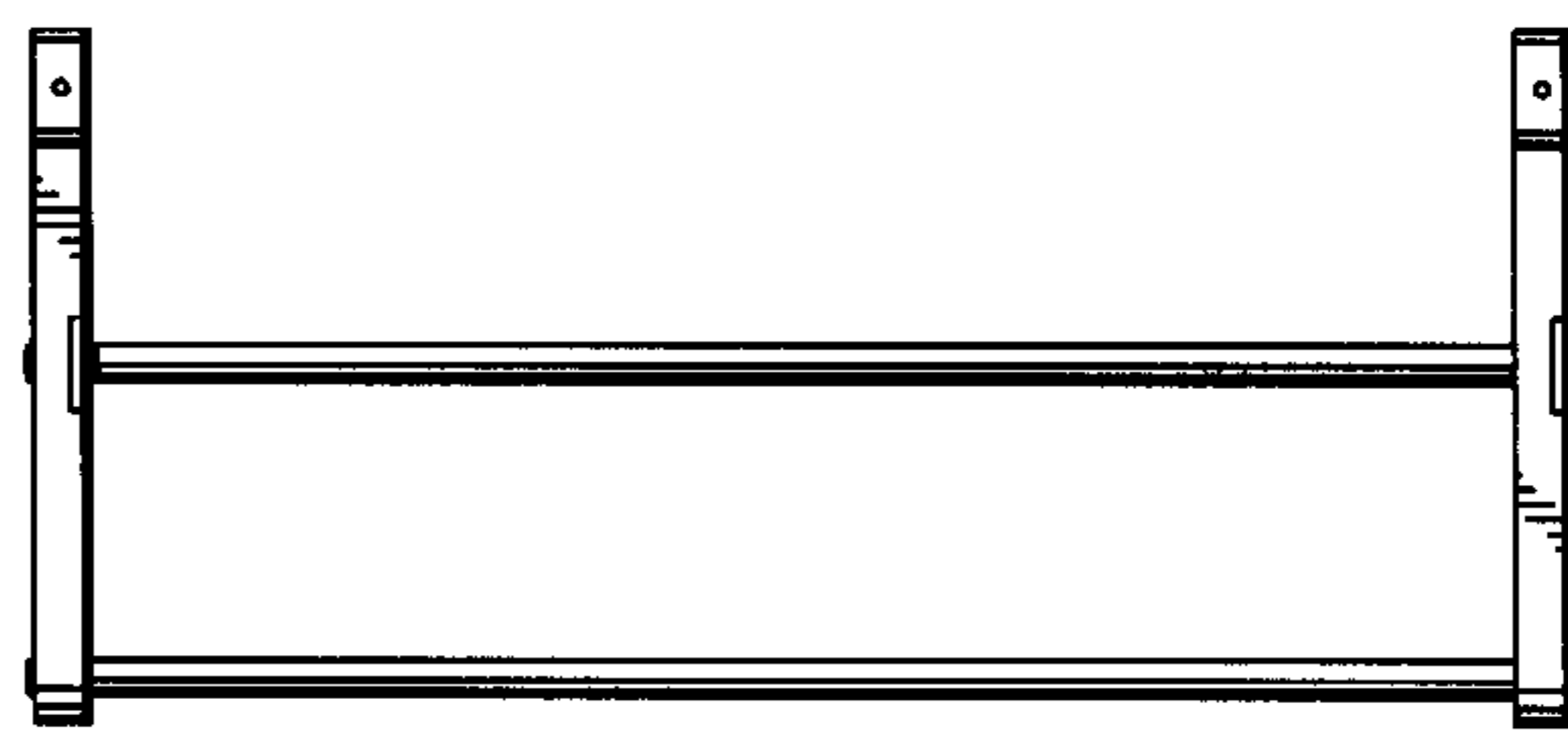


FIG. 4.

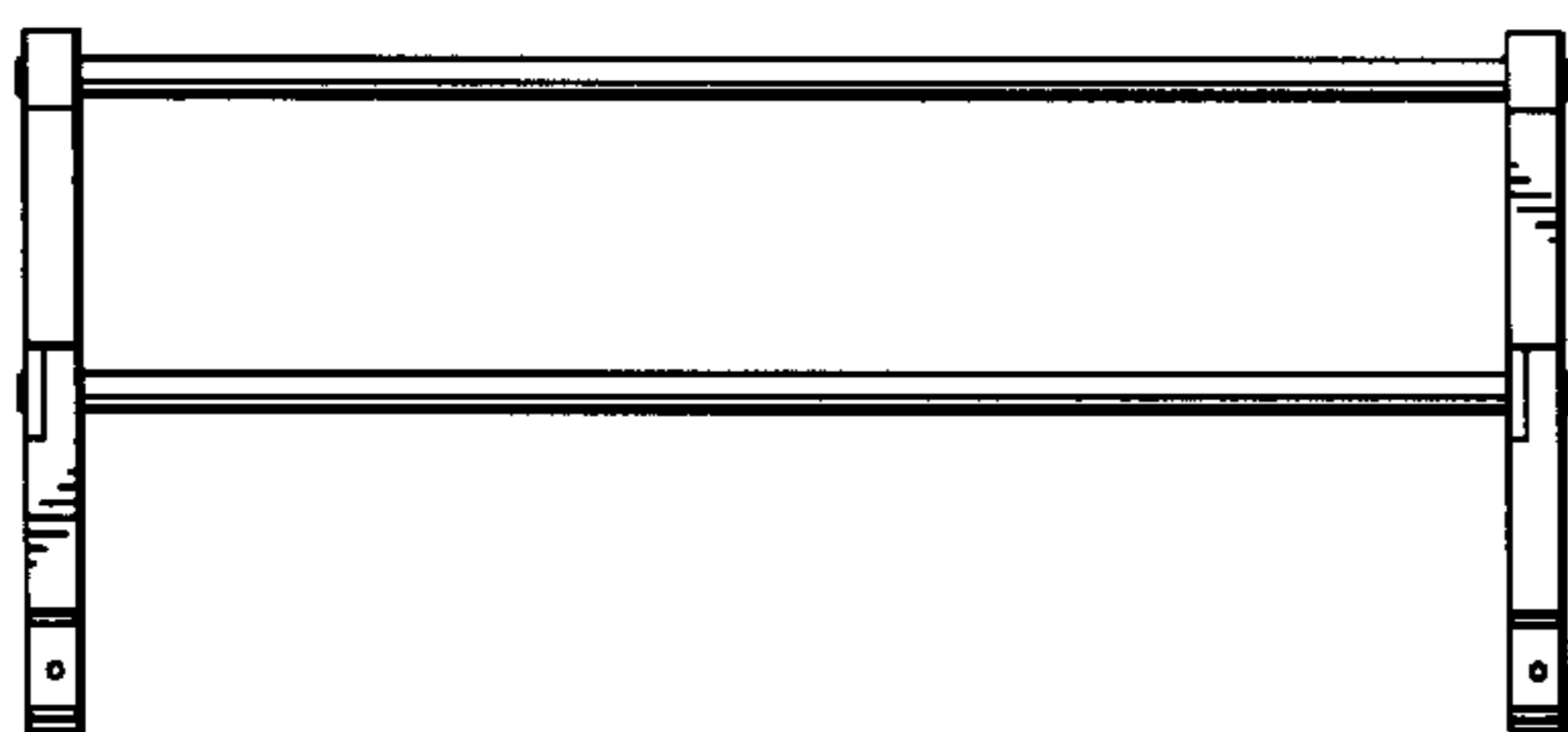


FIG. 5.

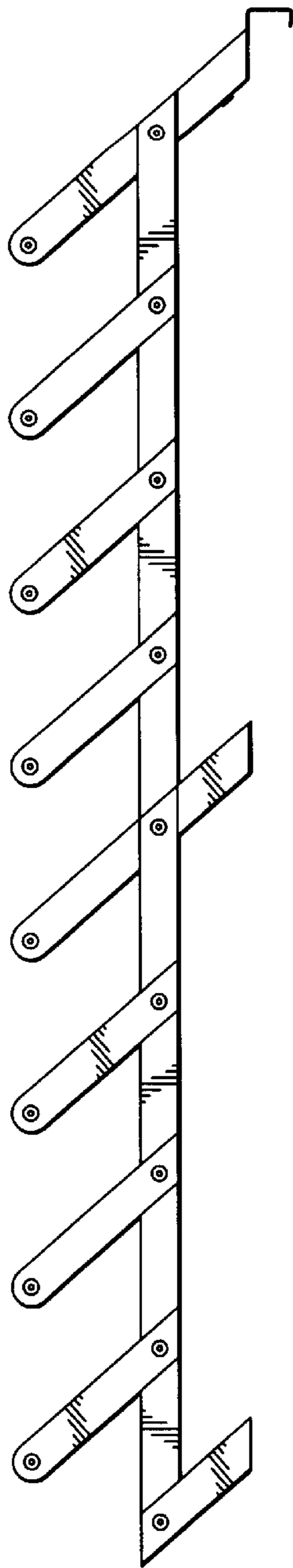


FIG. 6.

FIG. 7.

