



US00D493286S1

(12) **United States Design Patent**
Concari

(10) **Patent No.:** **US D493,286 S**
(45) **Date of Patent:** **** Jul. 27, 2004**

(54) **LATCH FOR STORAGE CONTAINER**

D449,164 S * 10/2001 Rosen D3/282
D481,868 S * 11/2003 Cunningham et al. D3/273
D482,869 S * 12/2003 Chen D3/282

(75) **Inventor:** **Gabriel Concari**, Eldersburg, MD (US)

* cited by examiner

(73) **Assignee:** **Black & Decker Inc.**, Newark, DE (US)

Primary Examiner—Catherine R. Oliver
(74) *Attorney, Agent, or Firm*—Harness, Dickey & Pierce, P.L.C.

(**) **Term:** **14 Years**

(21) **Appl. No.:** **29/179,021**

(57) **CLAIM**

(22) **Filed:** **Apr. 3, 2003**

The ornamental design for a latch for storage container, as shown and described.

(51) **LOC (7) Cl.** **03-01**

(52) **U.S. Cl.** **D3/318**

(58) **Field of Search** D3/318, 272–273,
D3/276, 281–282, 294, 900, 905, 321–323;
220/324, 326; 206/349, 372, 373, 379;
190/110–112

DESCRIPTION

FIG. 1 is a front perspective view of a latch for a storage container;
FIG. 2 is a front view thereof;
FIG. 3 is a rear view thereof;
FIG. 4 is a top view thereof;
FIG. 5 is a bottom view thereof;
FIG. 6 is a right side view thereof; and,
FIG. 7 is a left side view thereof.

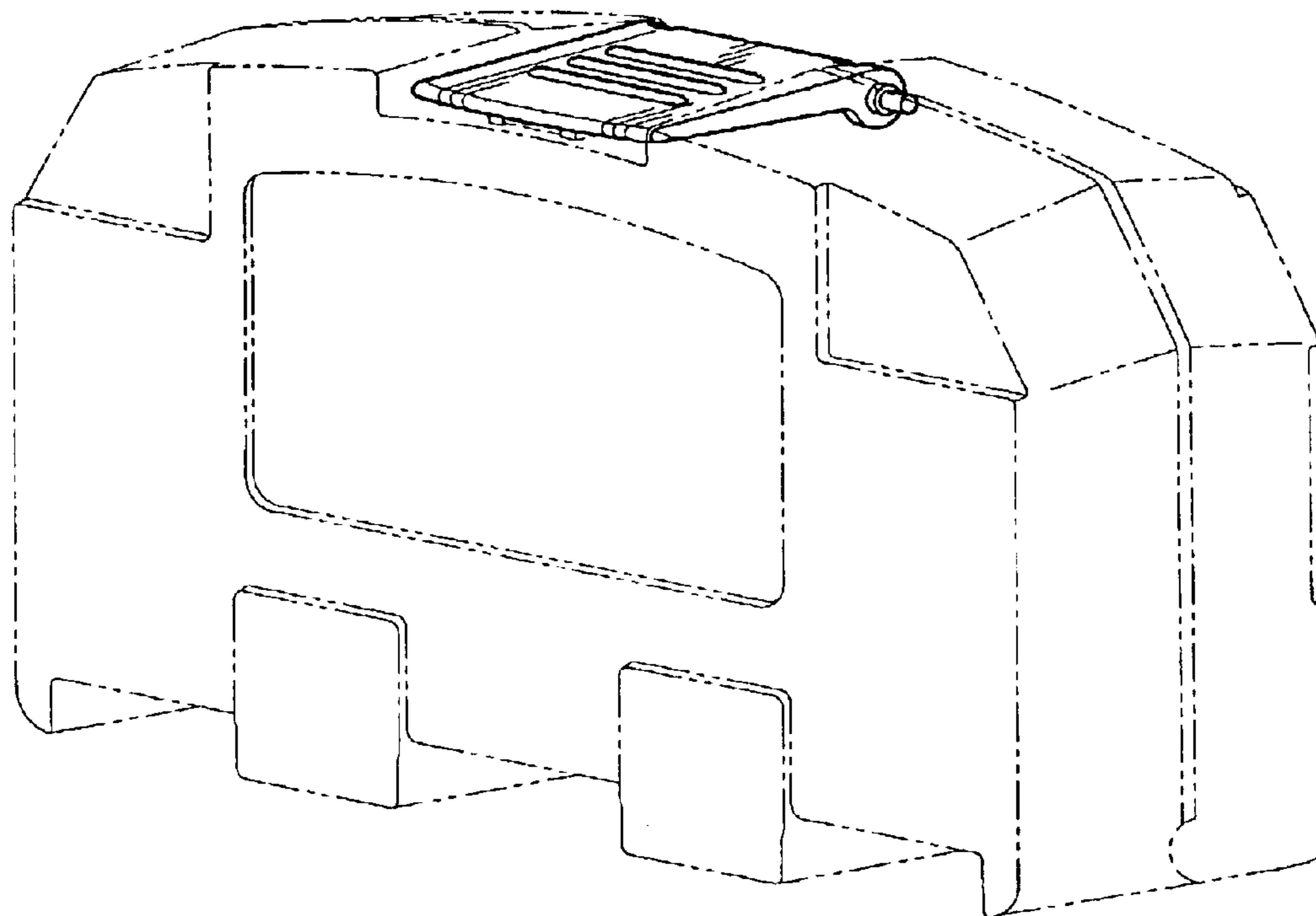
(56) **References Cited**

U.S. PATENT DOCUMENTS

D291,558 S * 8/1987 Fonville D3/294
5,472,110 A 12/1995 Boyd et al. 220/326
6,267,238 B1 7/2001 Miller et al. 206/349
D448,167 S * 9/2001 Pangerc et al. D3/294

The phantom lines in FIGS. 1–3 and 5–7 are for illustrative purposes only and do not form part of the claimed invention.

1 Claim, 3 Drawing Sheets



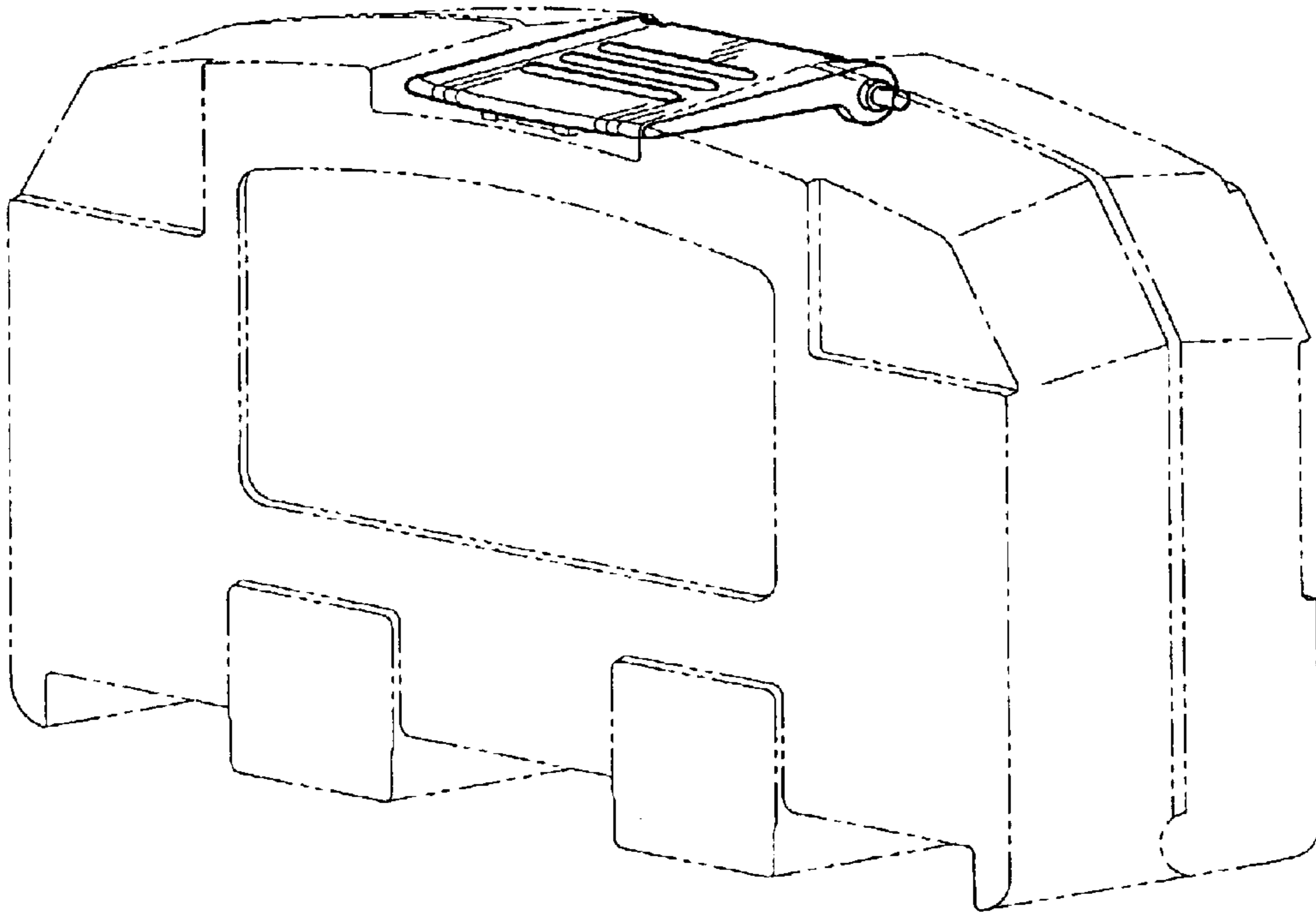


Fig-1

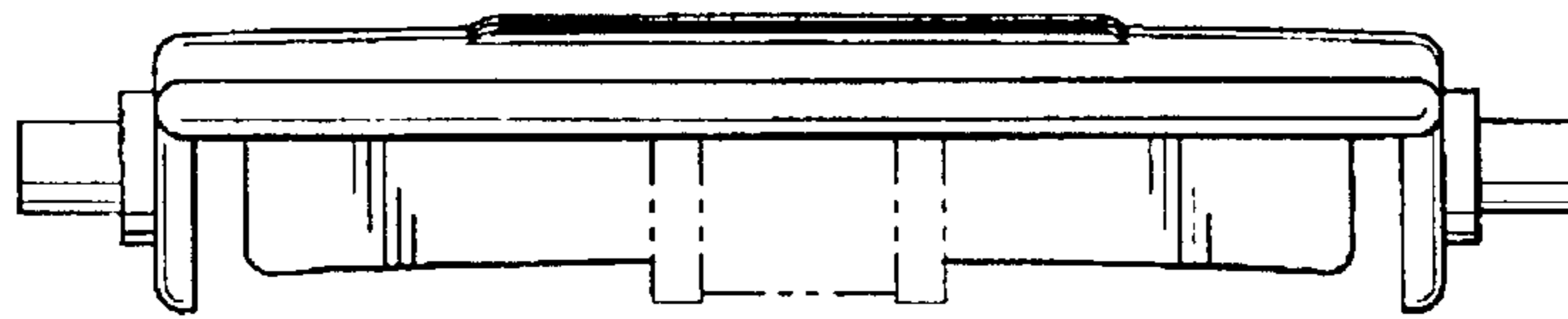


Fig-2

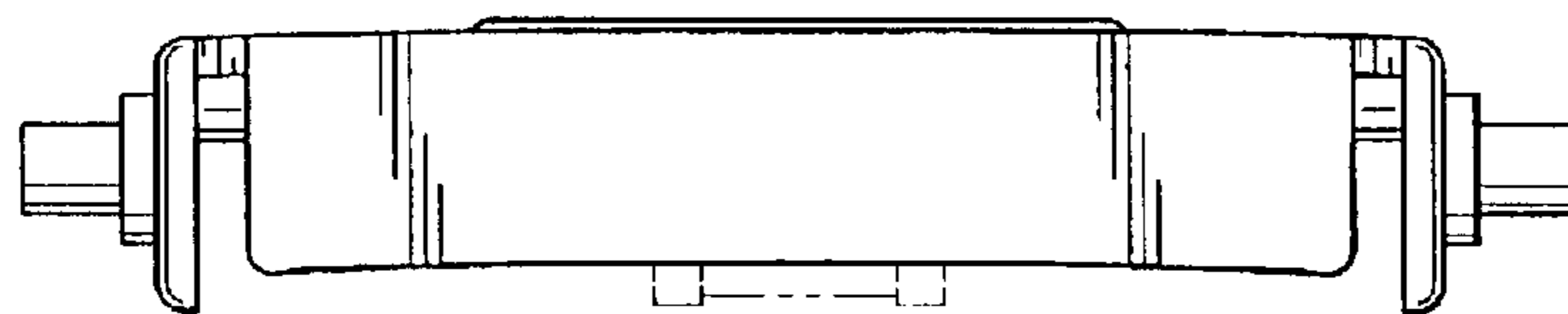


Fig-3

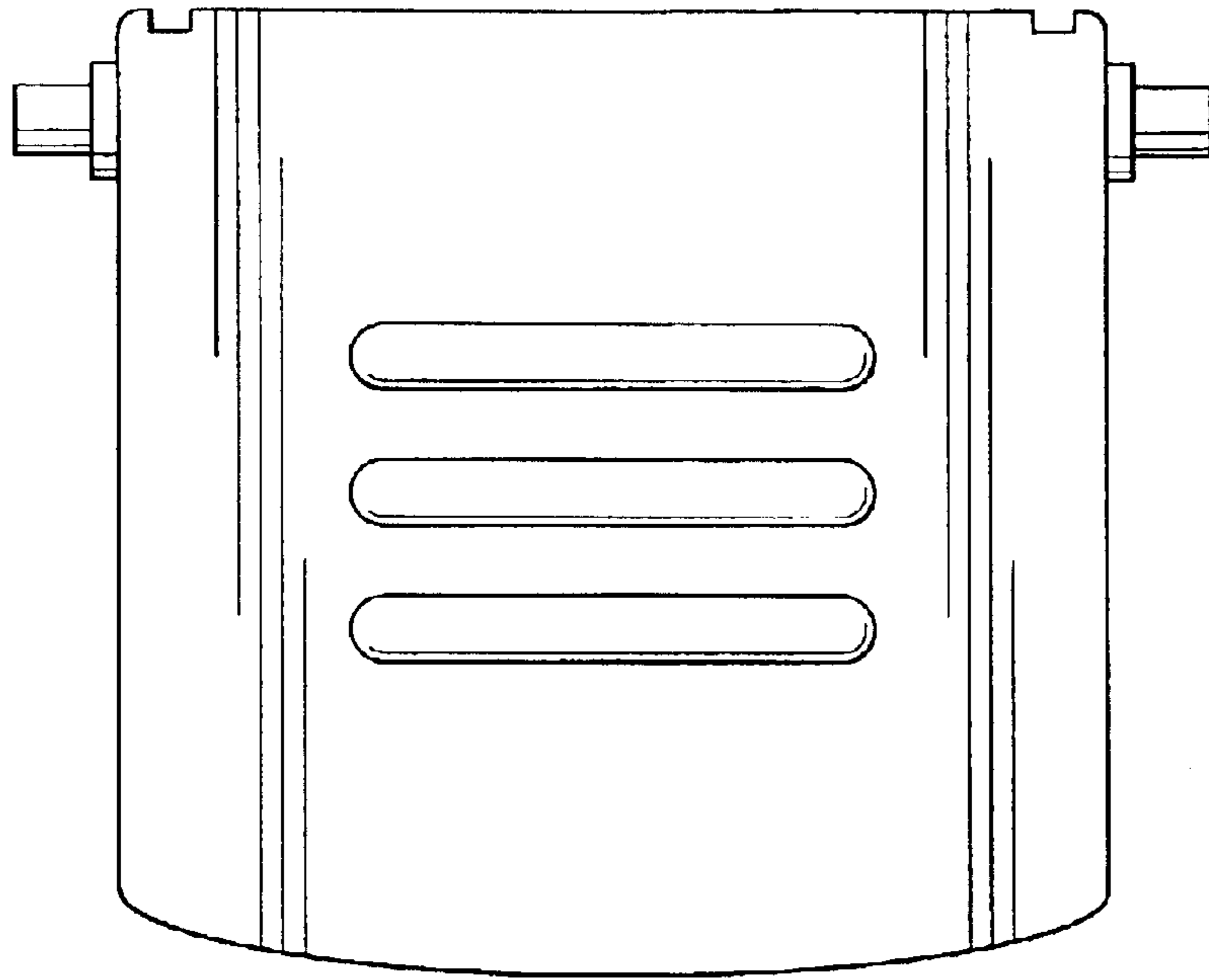


Fig-4

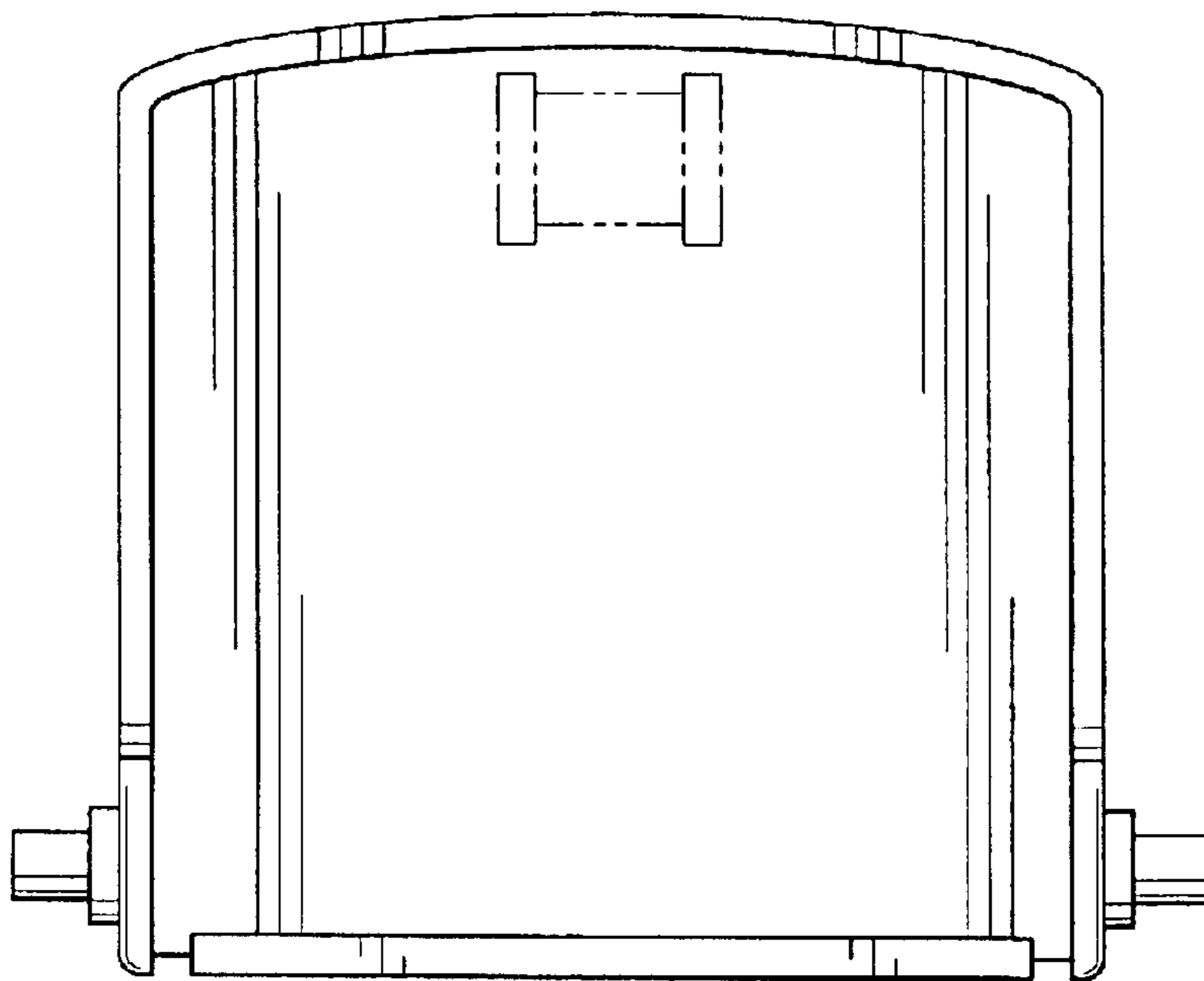


Fig-5

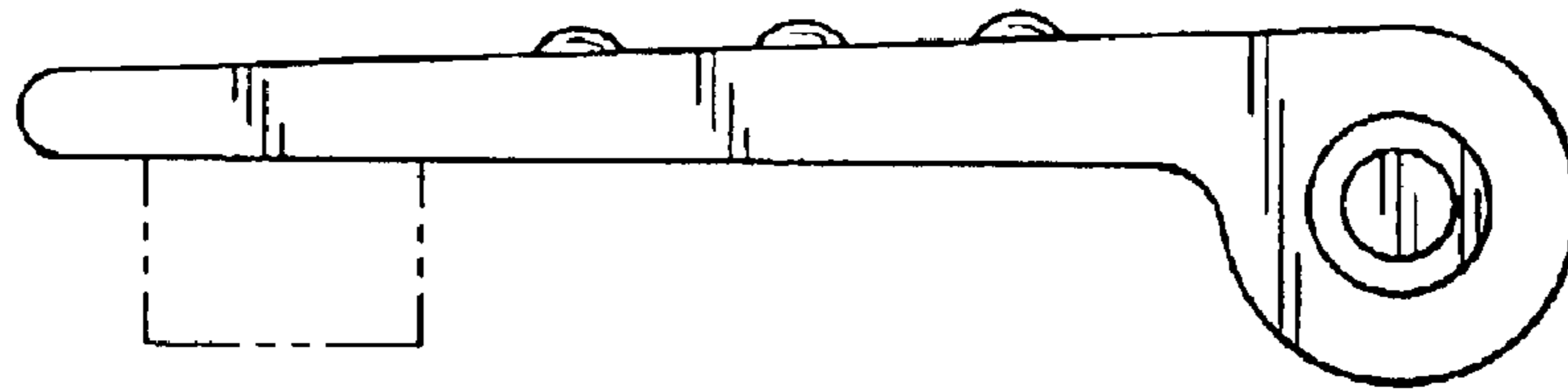


Fig-6

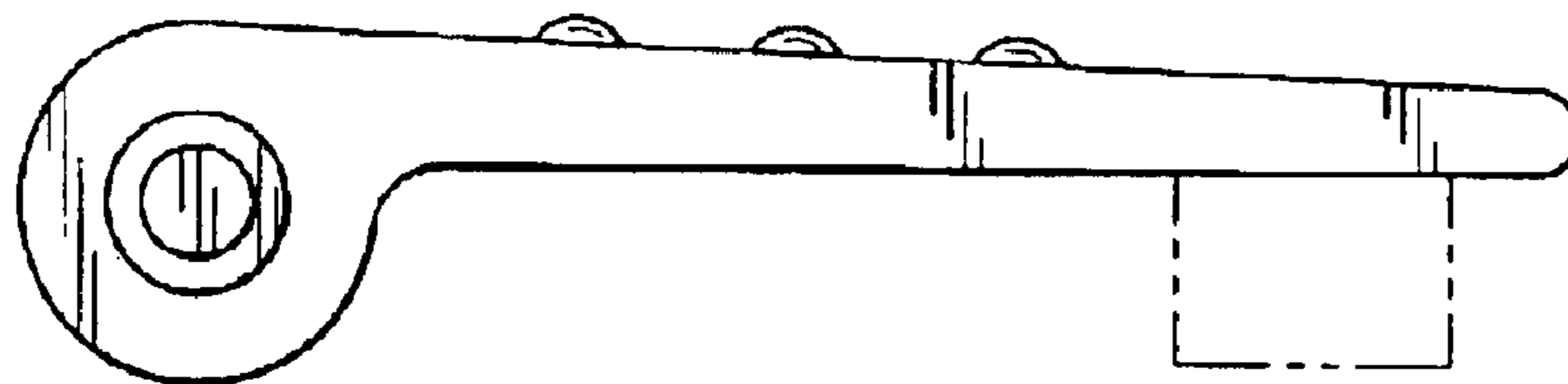


Fig-7