

US00D493282S1

(12) **United States Design Patent**  
**Dubois et al.**

(10) **Patent No.:** **US D493,282 S**  
(45) **Date of Patent:** **\*\* Jul. 27, 2004**

- (54) **PLASTIC STORAGE BOX**
- (75) Inventors: **Jean-Marc Dubois**, Bremgarten (CH);  
**Boris Schwab**, Vogelsang bei Turgi  
(CH)
- (73) Assignee: **Georg Utz Holding, AG**, Bremgarten  
(CH)
- (\*\*) Term: **14 Years**
- (21) Appl. No.: **29/181,831**
- (22) Filed: **May 14, 2003**
- (51) **LOC (7) Cl.** ..... **03-01**
- (52) **U.S. Cl.** ..... **D3/273; D3/294**
- (58) **Field of Search** ..... D3/272, 273, 276,  
D3/294, 302; D9/420, 423, 424, 425; 206/349,  
503, 508, 509, 513, 518, 505

- D312,573 S \* 12/1990 Poirier ..... D9/424
- 5,328,048 A \* 7/1994 Stein ..... 220/826
- 5,673,791 A \* 10/1997 Jamison ..... 206/508
- 6,041,931 A \* 3/2000 Jacques ..... 206/505
- D444,626 S 7/2001 Anderson et al. .... D3/273
- D448,166 S \* 9/2001 Zimmerman ..... D3/273

\* cited by examiner

*Primary Examiner*—Philip S. Hyder

(74) *Attorney, Agent, or Firm*—Ann W. Speckman; Janet Sleath; Victor N. King

(57) **CLAIM**

The ornamental design for a plastic storage box, as shown.

**DESCRIPTION**

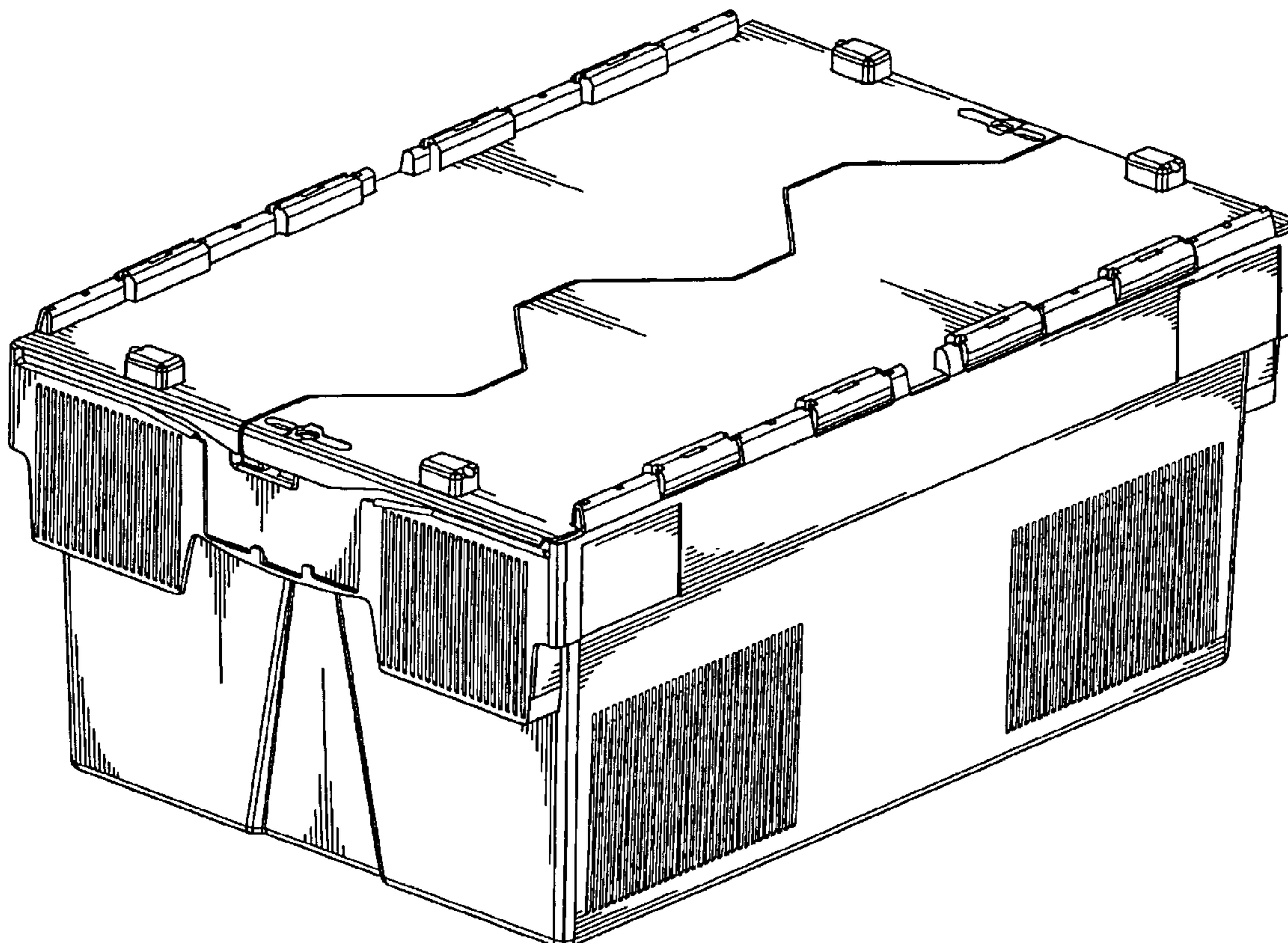
FIG. 1 is a front, left side perspective view of a plastic storage box showing my new design;  
 FIG. 2 is a bottom, left side perspective view thereof;  
 FIG. 3 is a top view thereof;  
 FIG. 4 is a bottom view thereof;  
 FIG. 5 is a front elevation view thereof, the rear elevation being identical; and,  
 FIG. 6 is a side elevation view thereof, the opposite side being identical.

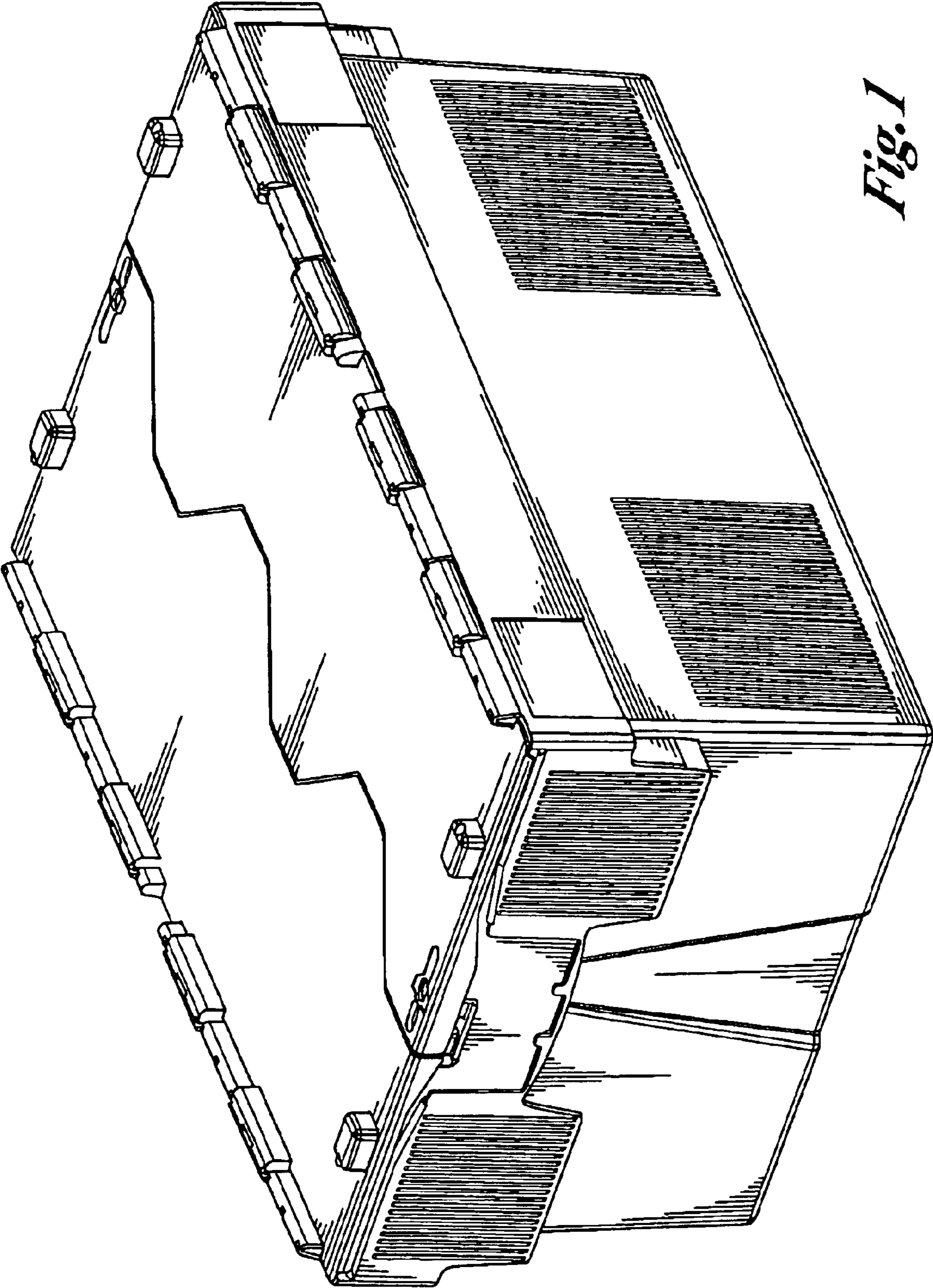
(56) **References Cited**

**U.S. PATENT DOCUMENTS**

- D257,528 S \* 11/1980 Cherry ..... D9/431
- 4,391,386 A \* 7/1983 Moret ..... 220/819
- 4,620,644 A \* 11/1986 Miller ..... 220/826
- 4,685,567 A \* 8/1987 Webb ..... 206/506
- D306,264 S \* 2/1990 Malmanger ..... D9/432

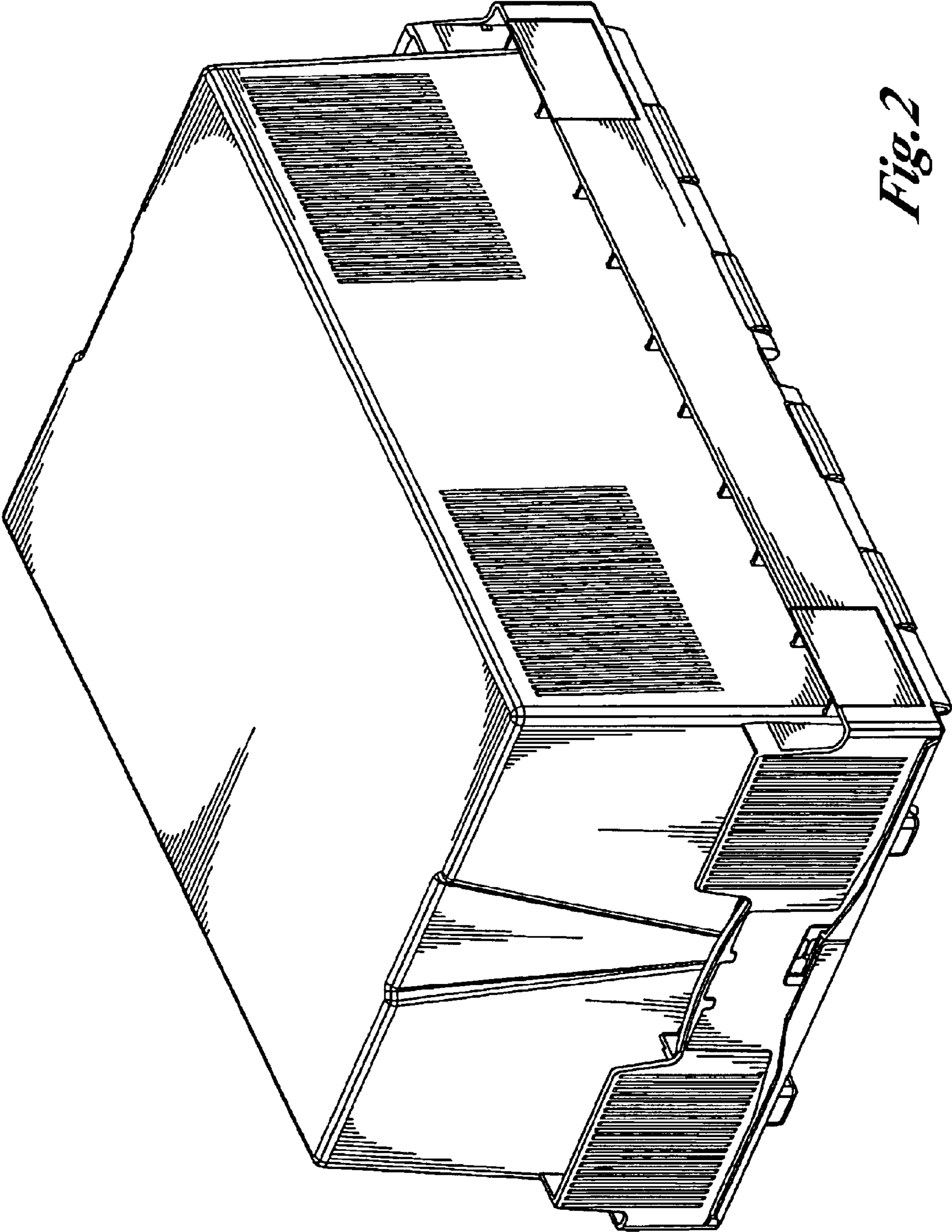
**1 Claim, 6 Drawing Sheets**



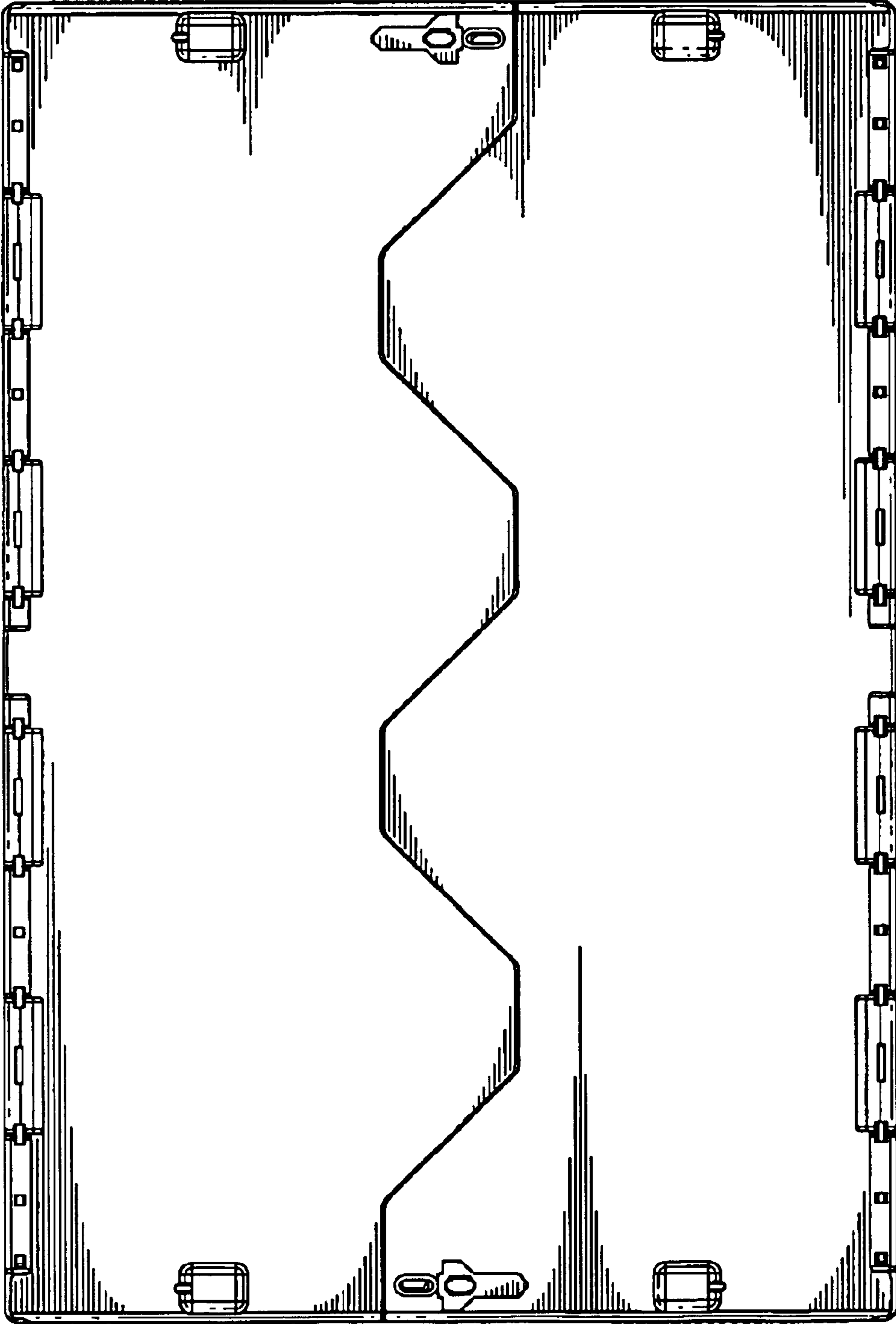


*Fig. 1*

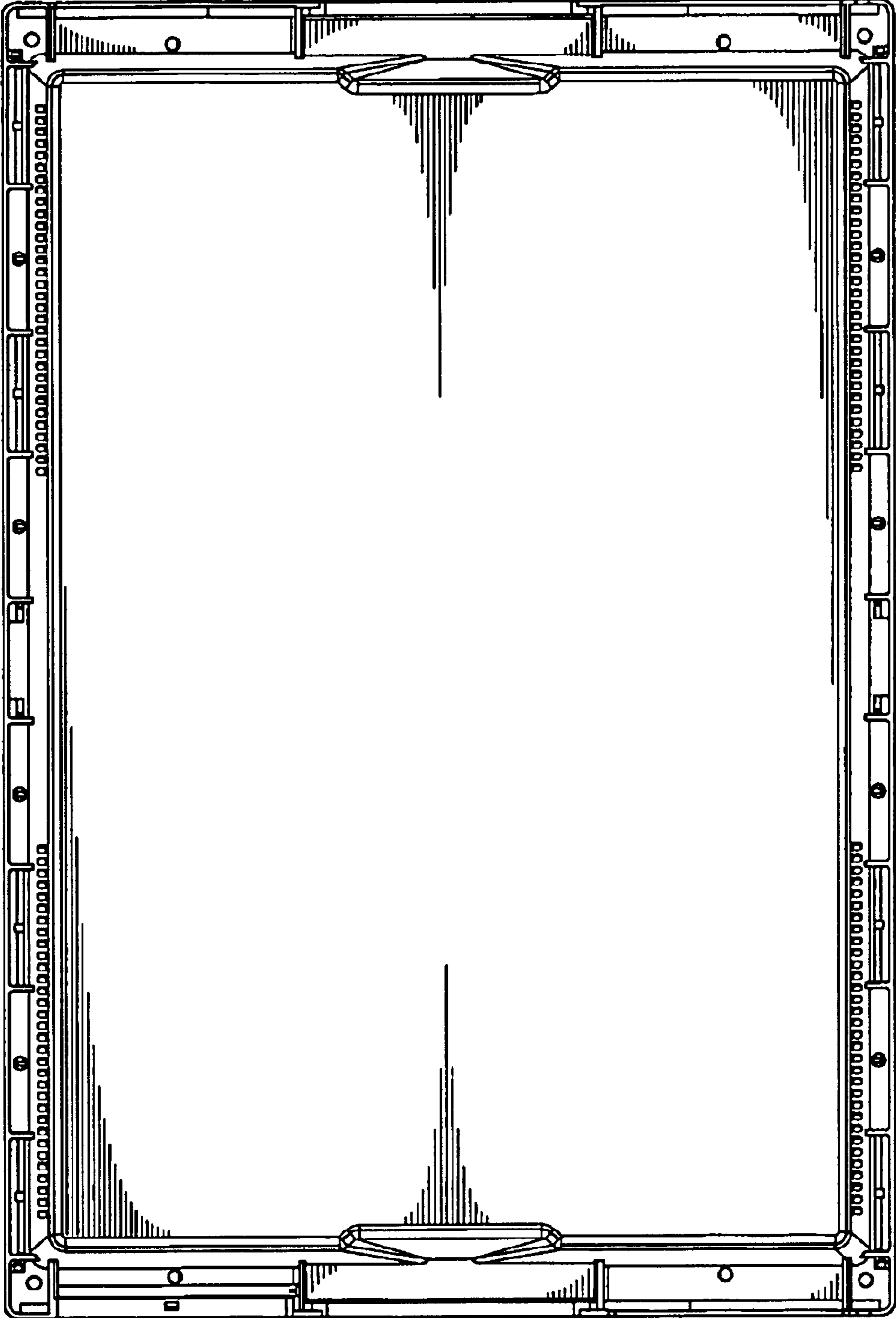




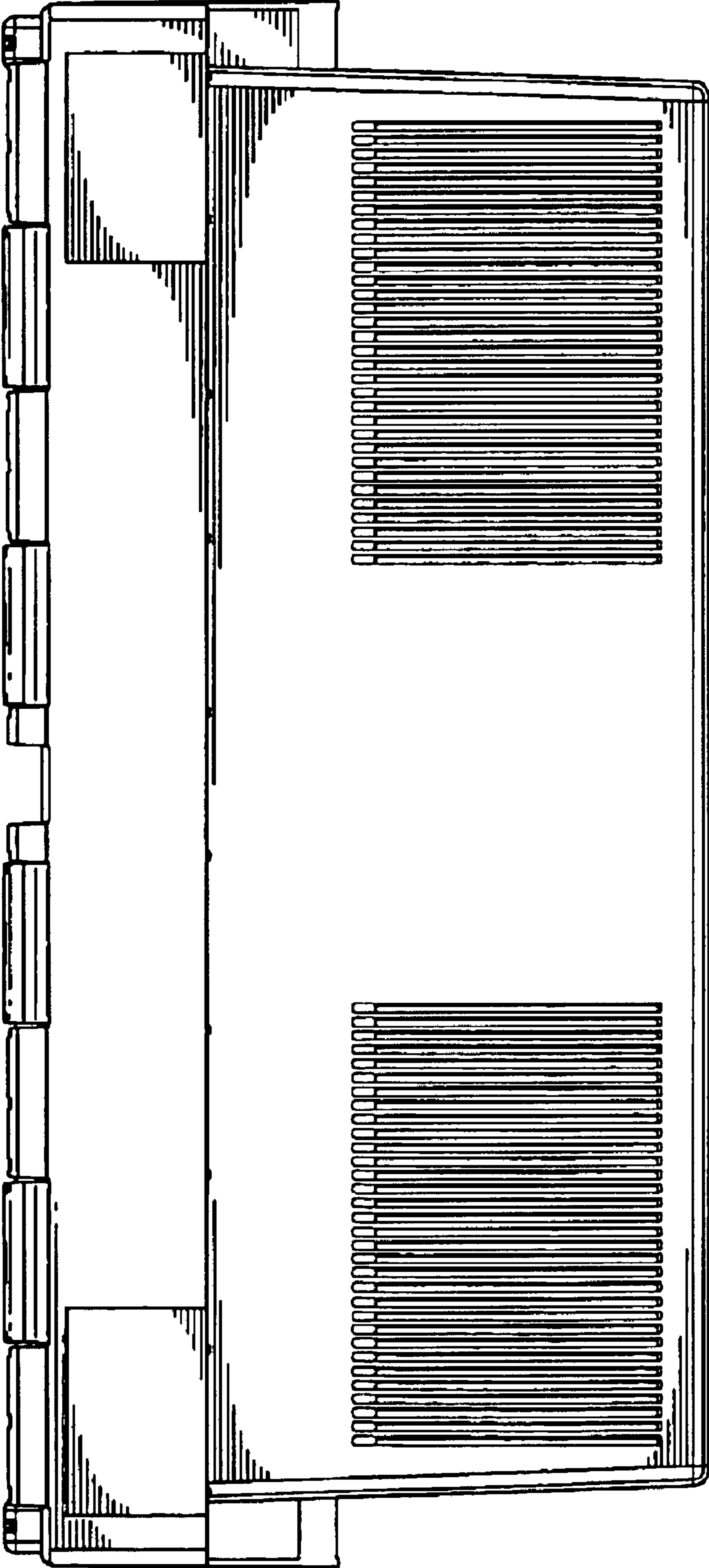
*Fig. 2*



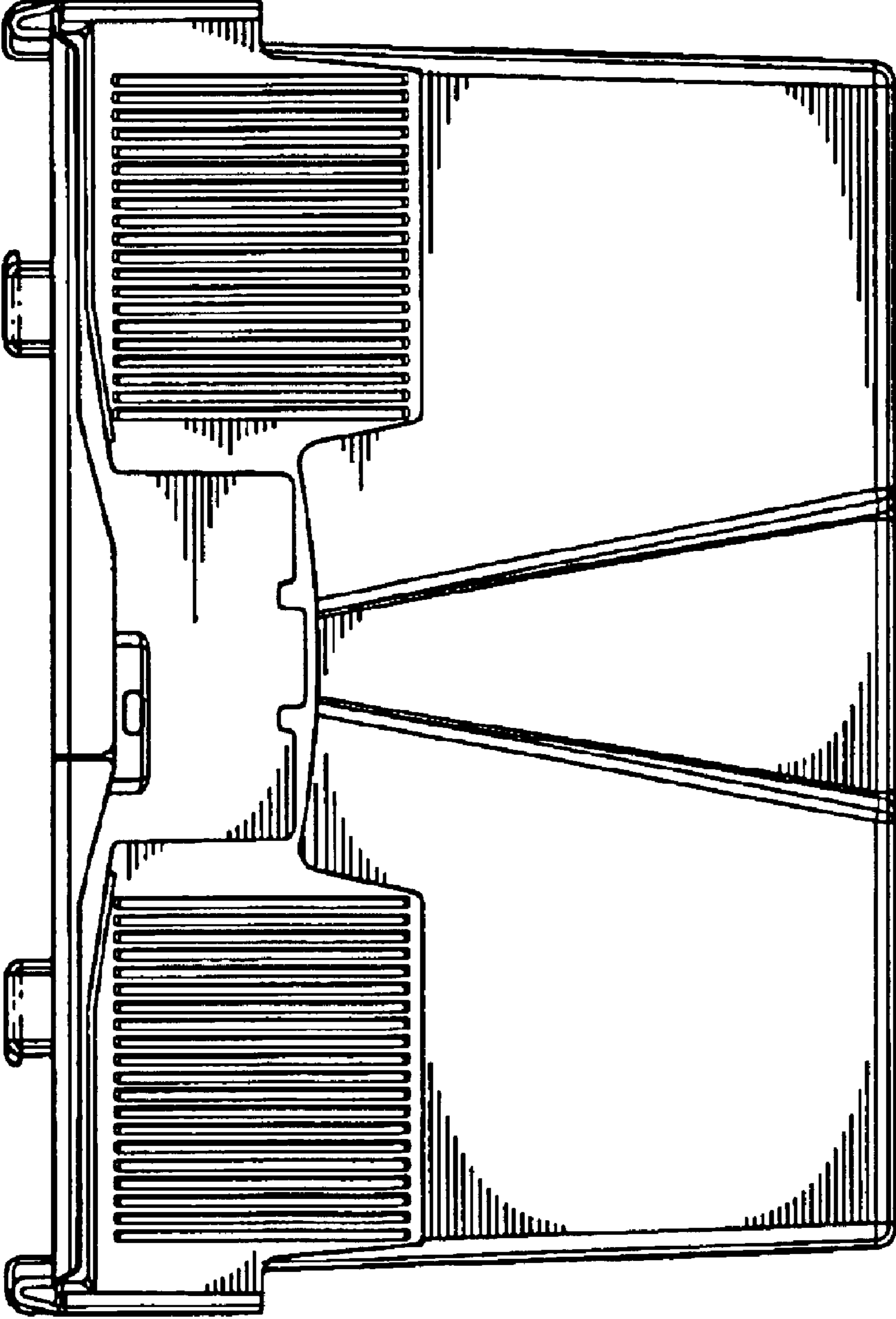
*Fig. 3*



*Fig. 4*



*Fig. 5*



*Fig. 6*