

US00D493279S1

(12) **United States Design Patent**
Tabata

(10) **Patent No.:** **US D493,279 S**
(45) **Date of Patent:** **** Jul. 27, 2004**

(54) **CELLULAR PHONE HOLDER**

FOREIGN PATENT DOCUMENTS

(75) **Inventor:** **Yasuji Tabata, Shizuoka-ken (JP)**

JP 2001-161424 6/2001
JP 1143941 6/2002

(73) **Assignee:** **Tabata Zoen Kensetsu Kabushiki Kaisha (JP)**

* cited by examiner

(**) **Term:** **14 Years**

Primary Examiner—Catherine R. Oliver
(74) *Attorney, Agent, or Firm*—Harness, Dickey & Pierce, P.L.C.

(21) **Appl. No.:** **29/187,636**

(22) **Filed:** **Aug. 5, 2003**

(57) **CLAIM**

(30) **Foreign Application Priority Data**

The ornamental design for a cellular phone holder, as shown and described.

Feb. 7, 2003 (JP) 2003-002816

DESCRIPTION

(51) **LOC (7) Cl.** **03-01**

FIG. 1 is a front view of my new design for a cellular phone holder;

(52) **U.S. Cl.** **D3/218**

FIG. 2 is a rear view thereof;

(58) **Field of Search** D3/218, 215, 219,

FIG. 3 is a right side view thereof;

D3/230, 299, 225, 207, 208; 224/219, 222, 269, 930, 657, 901.4, 236, 250, 253; 455/347, 100, 575, 575.8, 165, 221

FIG. 4 is a top plan view thereof;

FIG. 5 is a bottom plan view thereof;

(56) **References Cited**

FIG. 6 is a cross-section view of the cellular phone holder taken along a line 6—6 shown in FIG. 1;

U.S. PATENT DOCUMENTS

FIG. 7 is a cross-section view of the cellular phone holder taken along a line 7—7 shown in FIG. 1; and,

5,535,928 A * 7/1996 Herring 224/250

FIG. 8 is a perspective view of the cellular phone holder showing a condition wherein it is in use.

6,330,430 B1 * 12/2001 Jensfelt 455/575.8

The broken line showing of environment in the drawings is for illustrative purposes only and forms no part of the claimed design.

D455,255 S * 4/2002 Zeigler D3/218

D480,557 S * 10/2003 Kohli et al. D3/218

6,629,628 B1 * 10/2003 Canepari et al. 224/222

D483,941 S * 12/2003 Fassett D3/218

2001/0035443 A1 * 11/2001 Jones et al. 224/222

2003/0019894 A1 * 1/2003 Caldana 224/165

2003/0164389 A1 * 9/2003 Byers 224/221

1 Claim, 4 Drawing Sheets

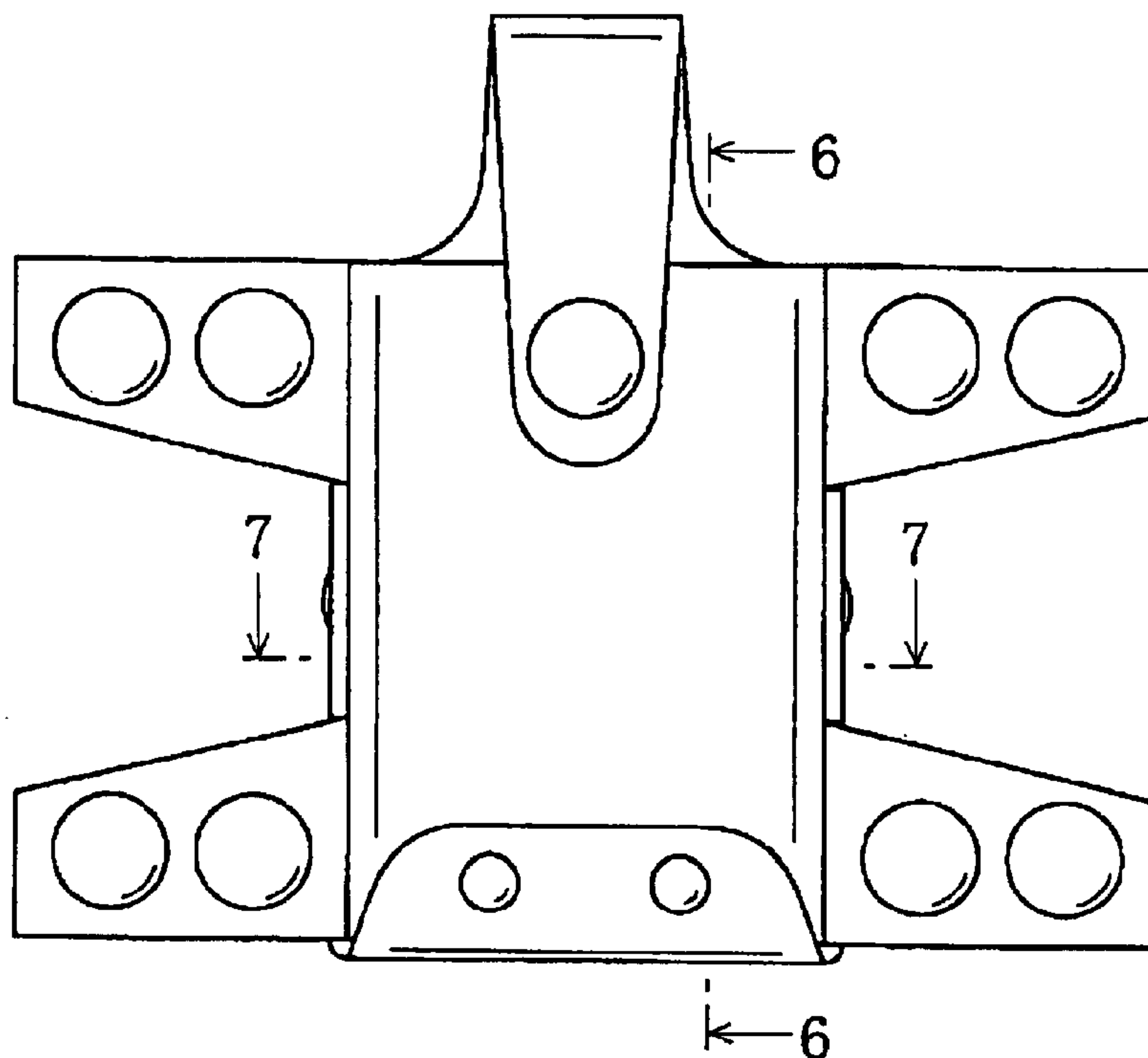


Fig. 1

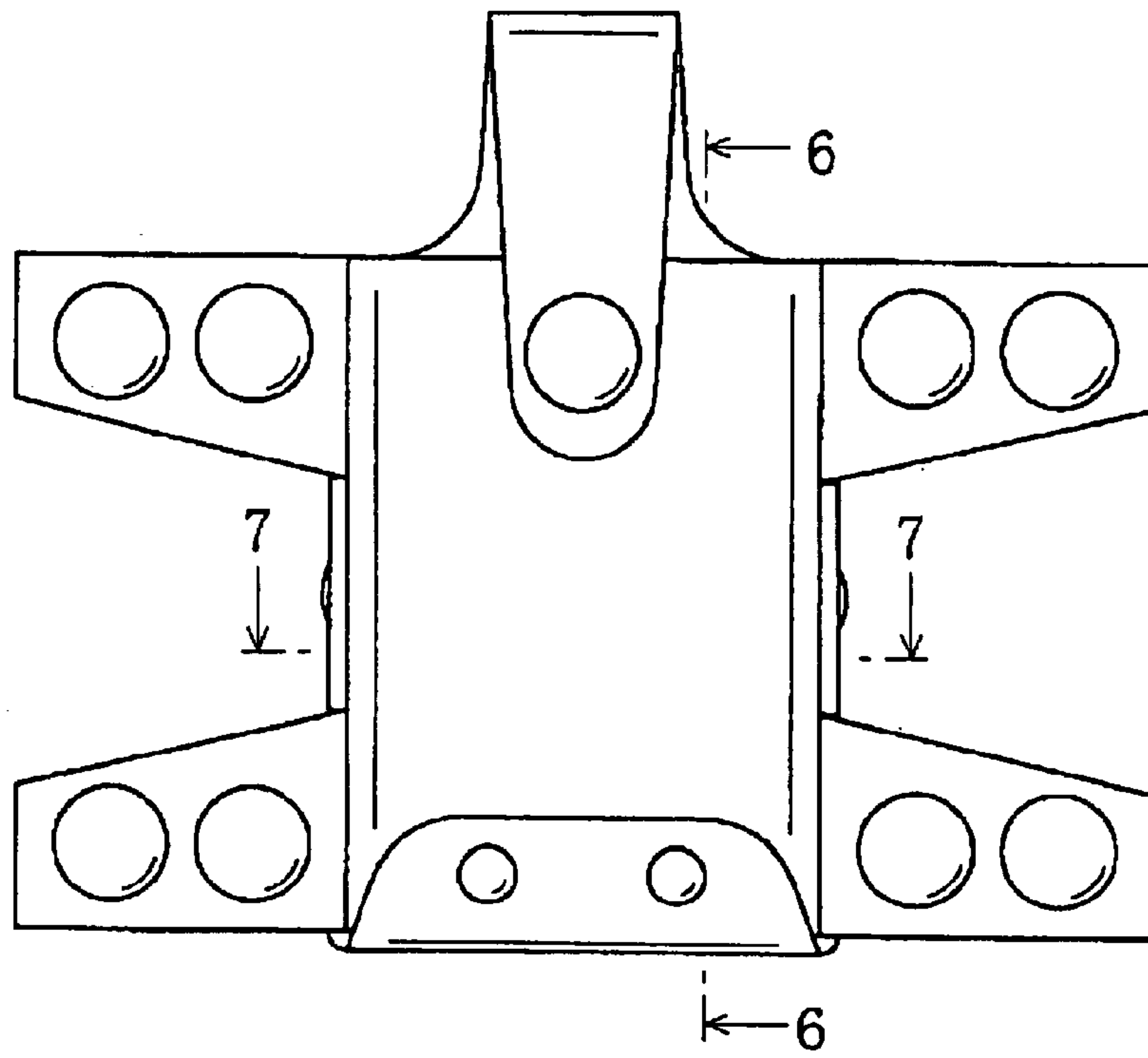


Fig. 2

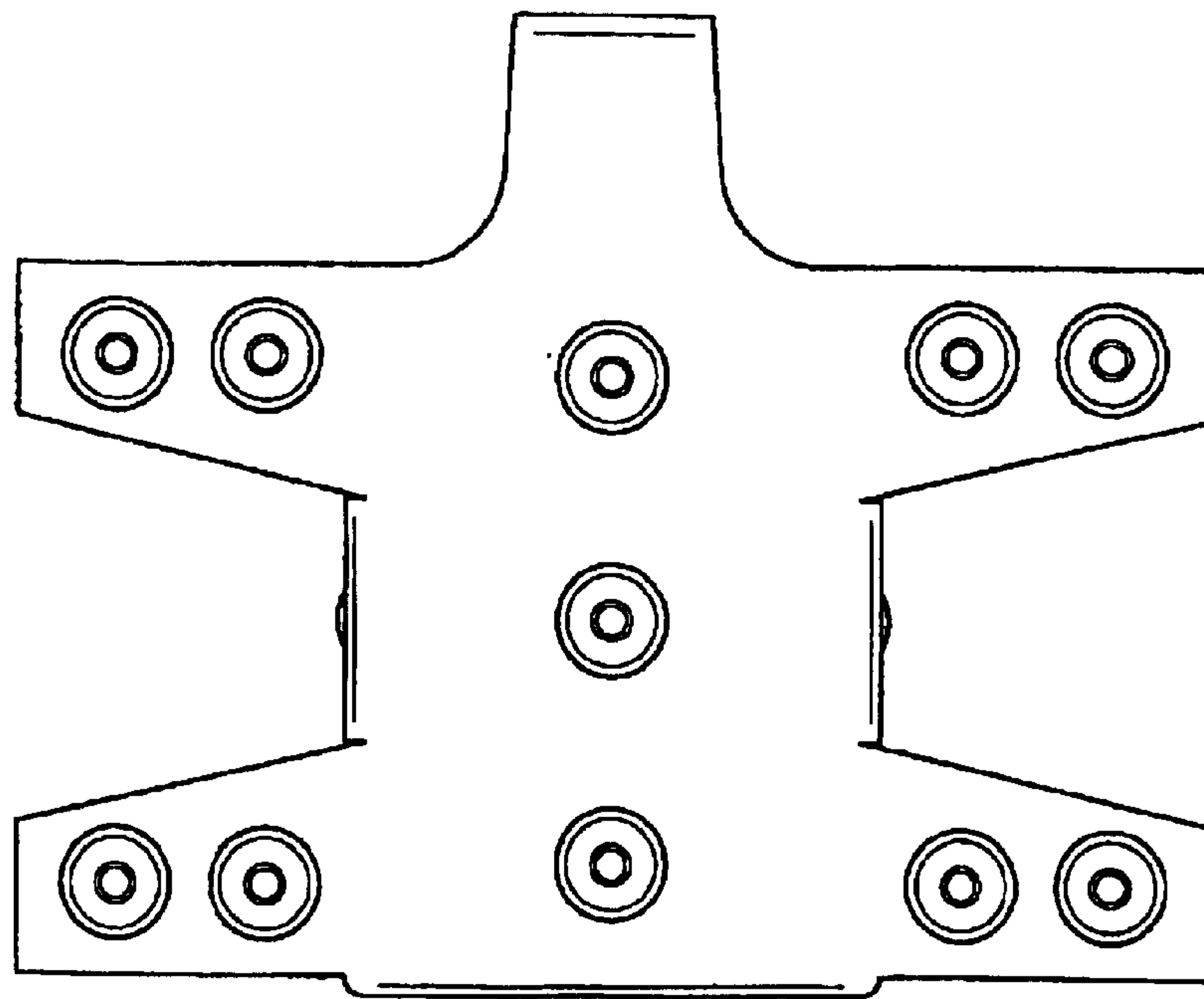


Fig. 3

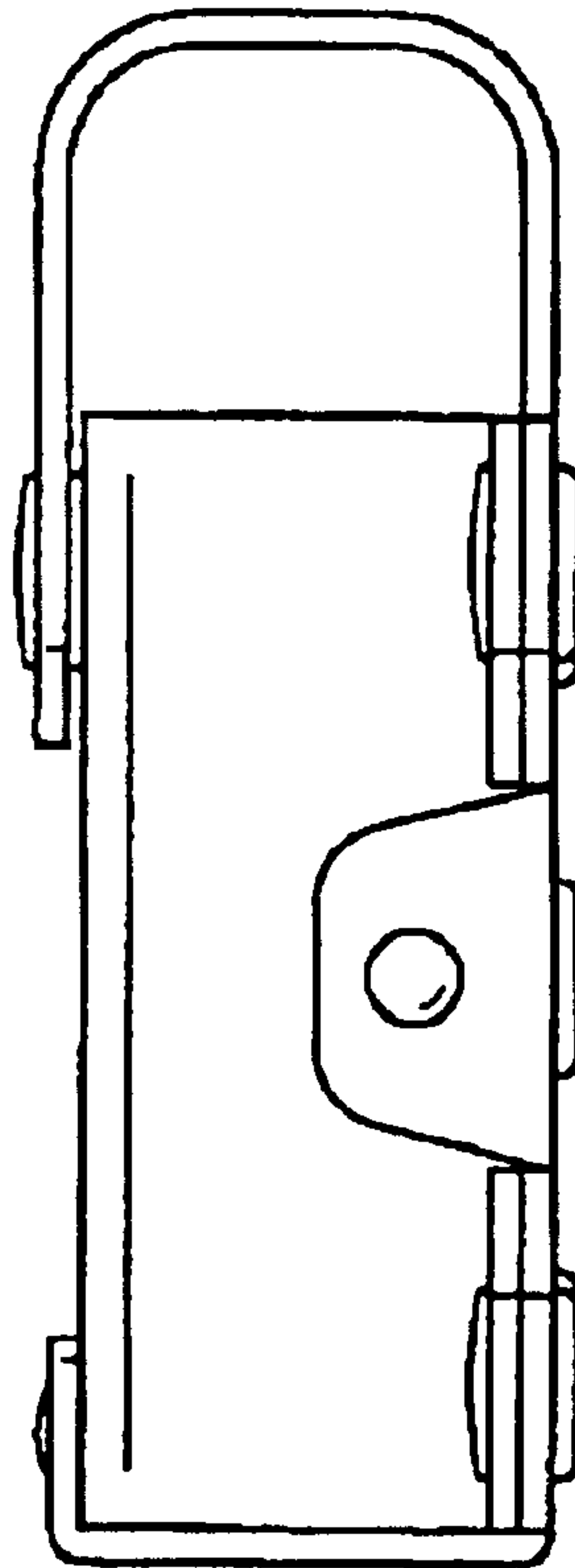


Fig. 4

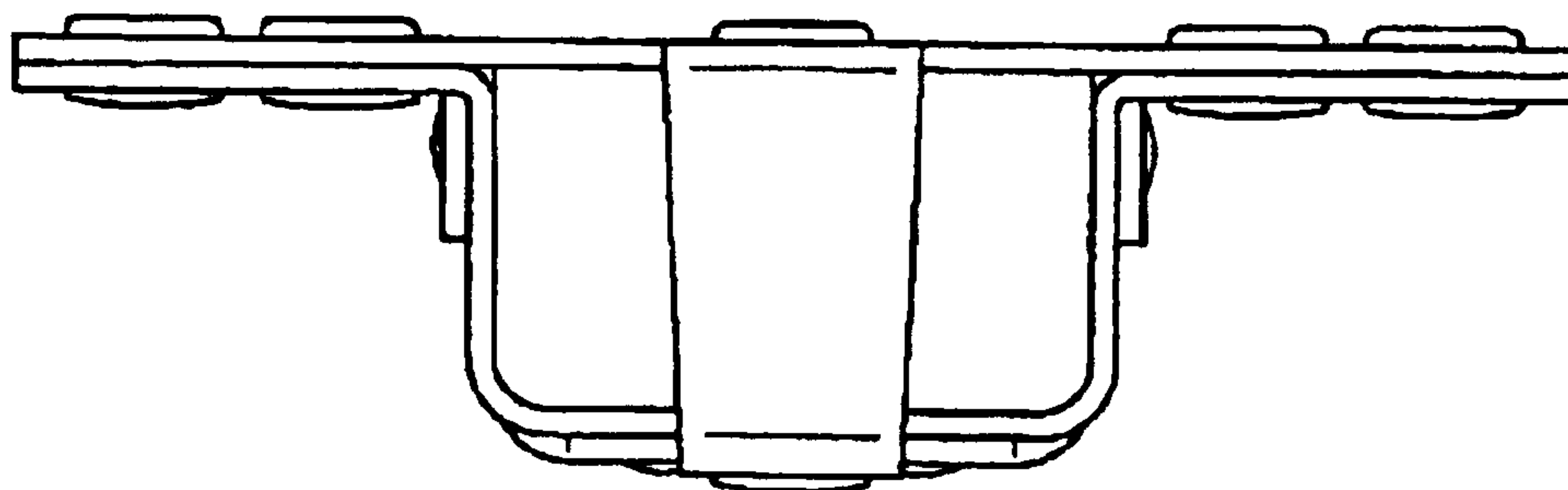


Fig. 5

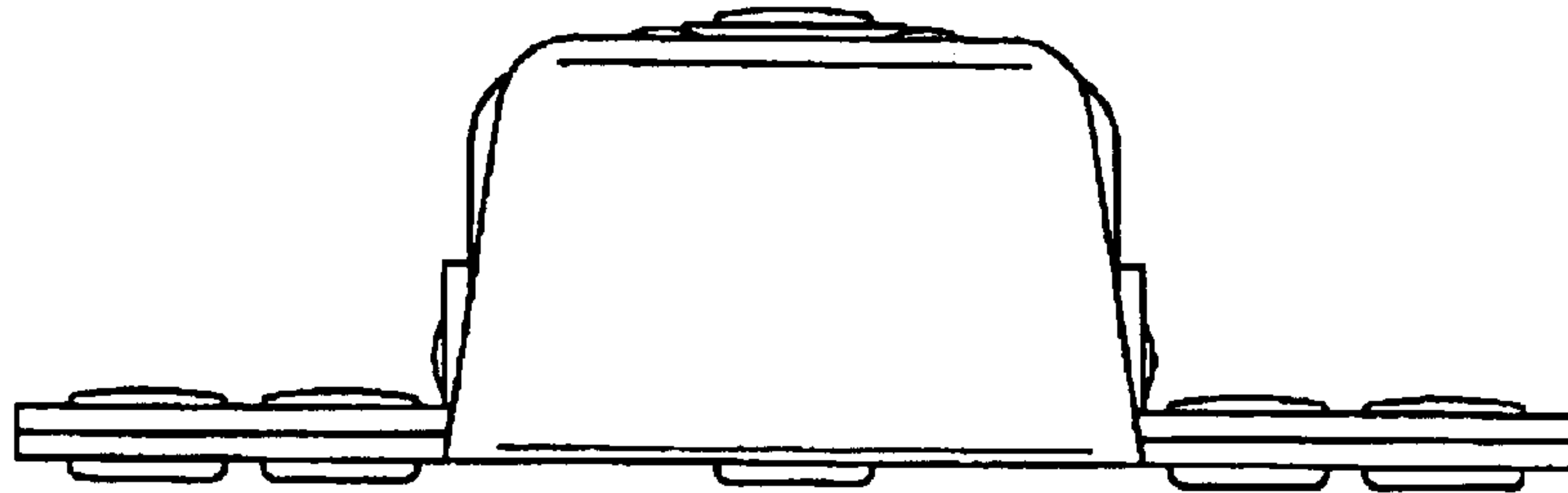


Fig. 6

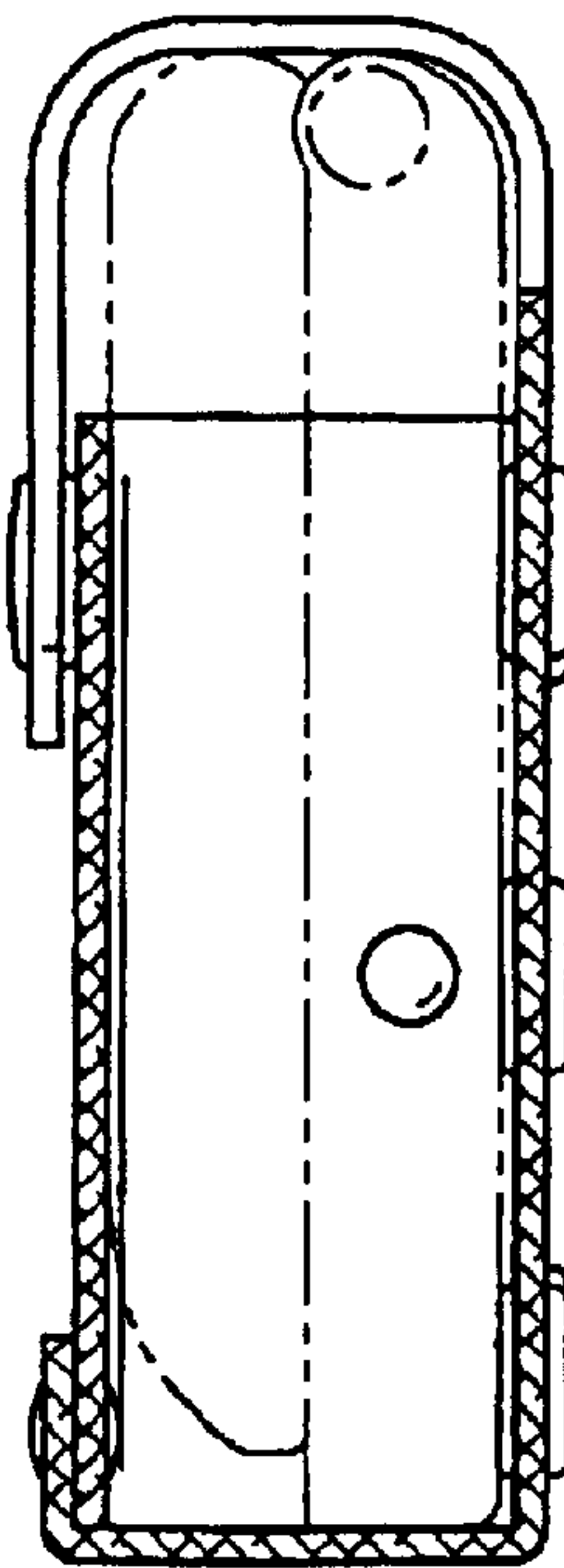


Fig. 7

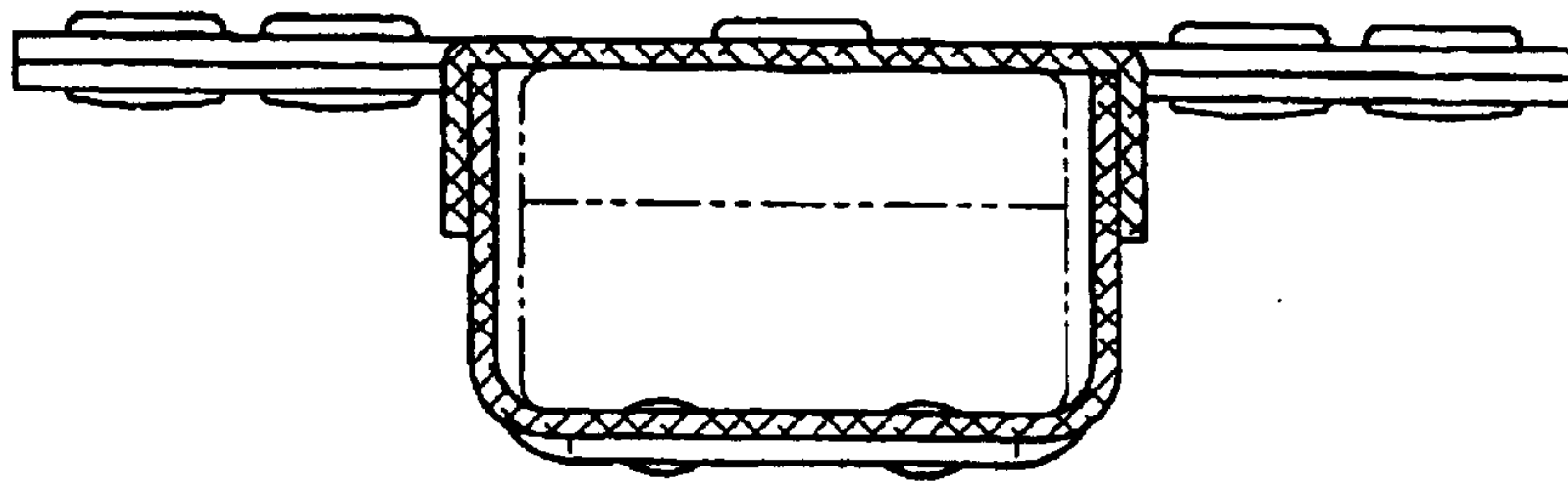


Fig. 8

