

US00D493276S1

(12) **United States Design Patent**
McMullin

(10) **Patent No.:** **US D493,276 S**

(45) **Date of Patent:** **** Jul. 27, 2004**

(54) **CLEAT FOR FOOTWEAR**

(75) **Inventor:** **Faris W. McMullin**, Boise, ID (US)

(73) **Assignee:** **Softspikes, LLC**, Gaithersburg, MD (US)

(**) **Term:** **14 Years**

(21) **Appl. No.:** **29/180,485**

(22) **Filed:** **Apr. 21, 2003**

(51) **LOC (7) Cl.** **02-99**

(52) **U.S. Cl.** **D2/962**

(58) **Field of Search** D2/906, 946, 962;
36/67 A, 134

(56) **References Cited**

U.S. PATENT DOCUMENTS

2,006,637 A	*	7/1935	Goldenberg	36/134
D399,647 S	*	10/1998	Hikita et al.	D2/962
D422,129 S	*	4/2000	Garcia	D2/962
D448,547 S	*	10/2001	Savoie	D2/962
D459,866 S	*	7/2002	Gan	D2/962
D463,902 S	*	10/2002	Yang	D2/962
D465,643 S	*	11/2002	Cho	D2/962

D466,275 S	*	12/2002	McMullin	D2/962
D468,084 S	*	1/2003	Lin	D2/962
D476,467 S	*	7/2003	Takamoto et al.	D2/953

* cited by examiner

Primary Examiner—Dominic Simone

(74) *Attorney, Agent, or Firm*—Edell, Shapiro & Finnan, LLC

(57) **CLAIM**

The ornamental design for a cleat for footwear, as shown and described.

DESCRIPTION

FIG. 1 is a bottom perspective view showing my new design;

FIG. 2 is a bottom view in plan thereof;

FIG. 3 is a top view in plan thereof;

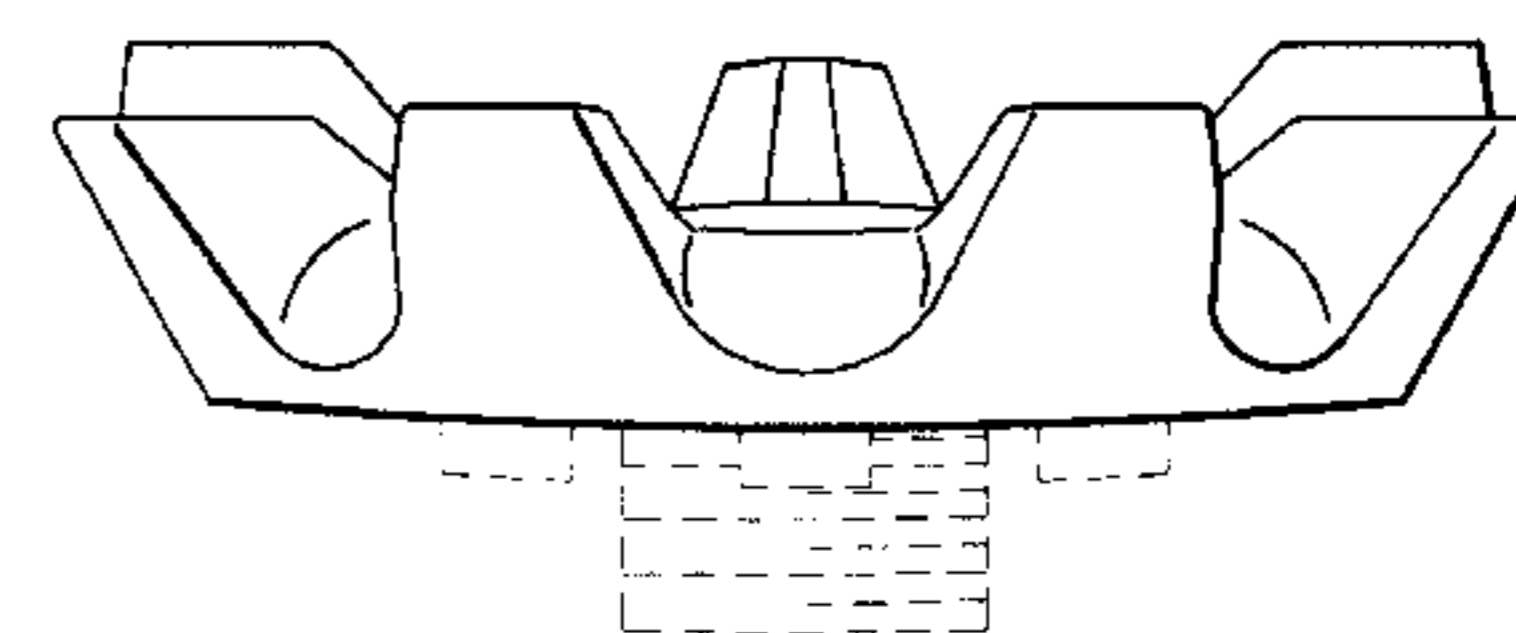
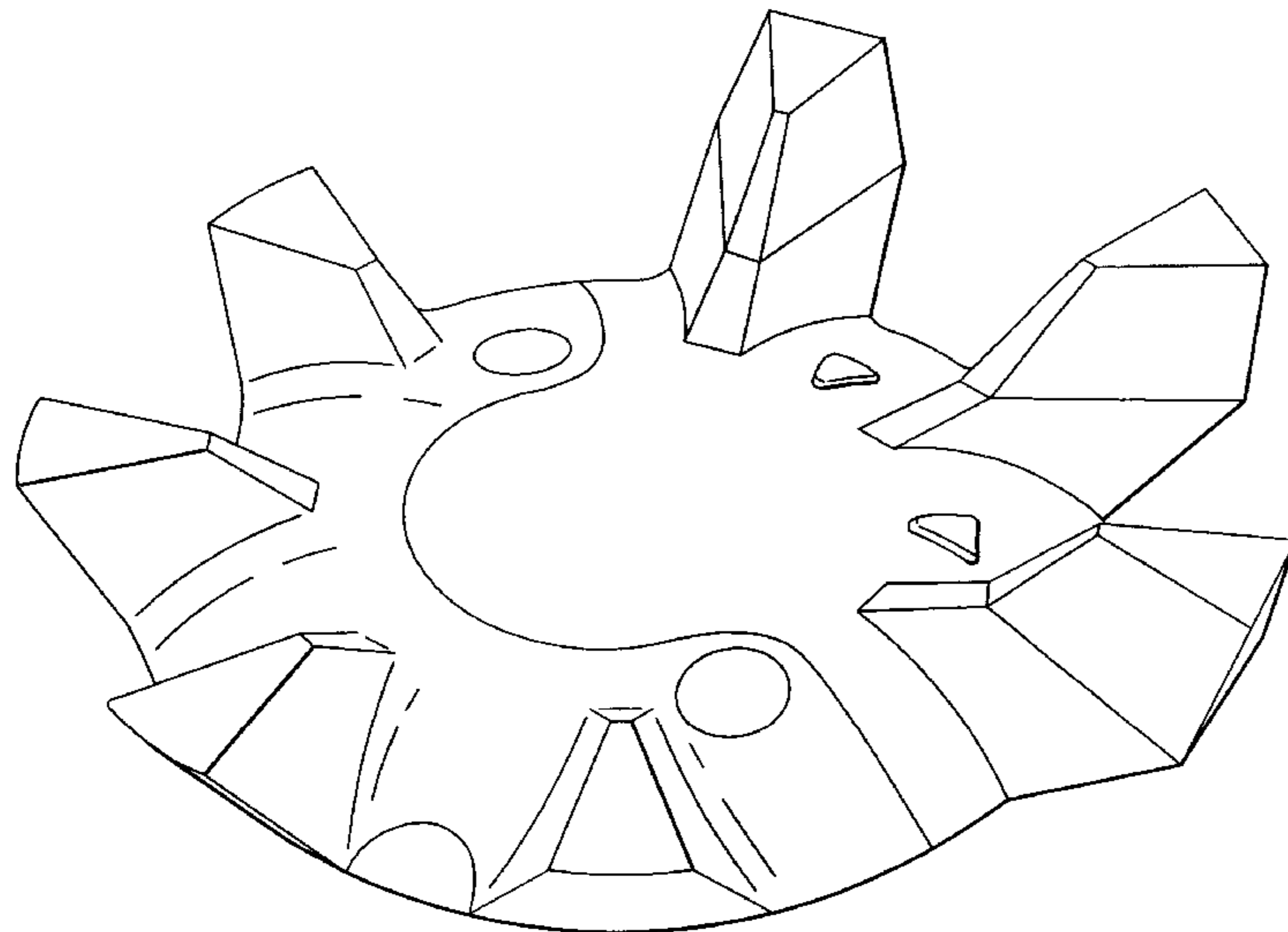
FIG. 4 is a right side view in elevation thereof;

FIG. 5 is a front view in elevation thereof; and,

FIG. 6 is rear view in elevation thereof.

The broken lines shown throughout are for contextual illustrative purposes and form no part of the claimed design.

1 Claim, 3 Drawing Sheets



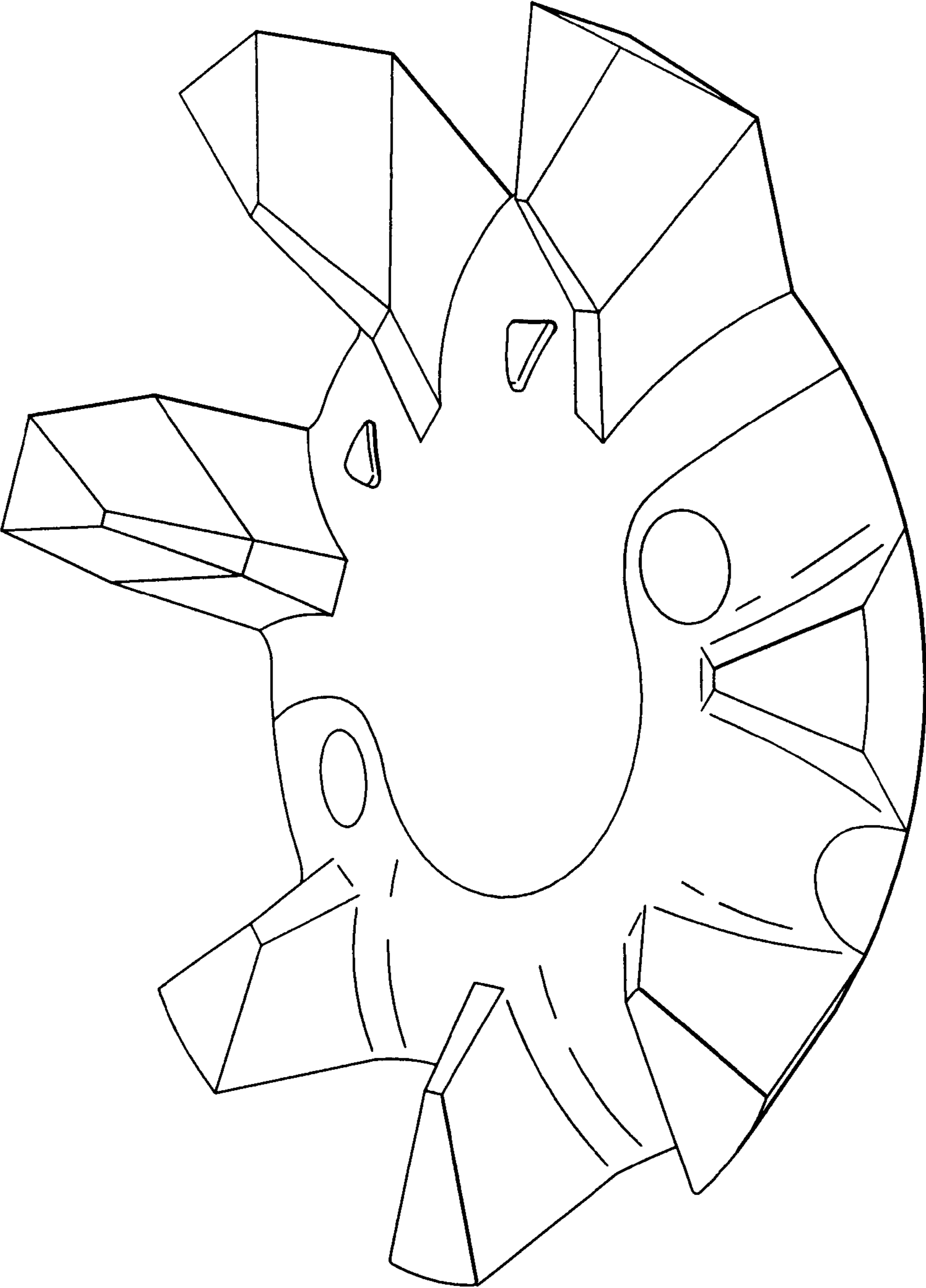


FIG. 1

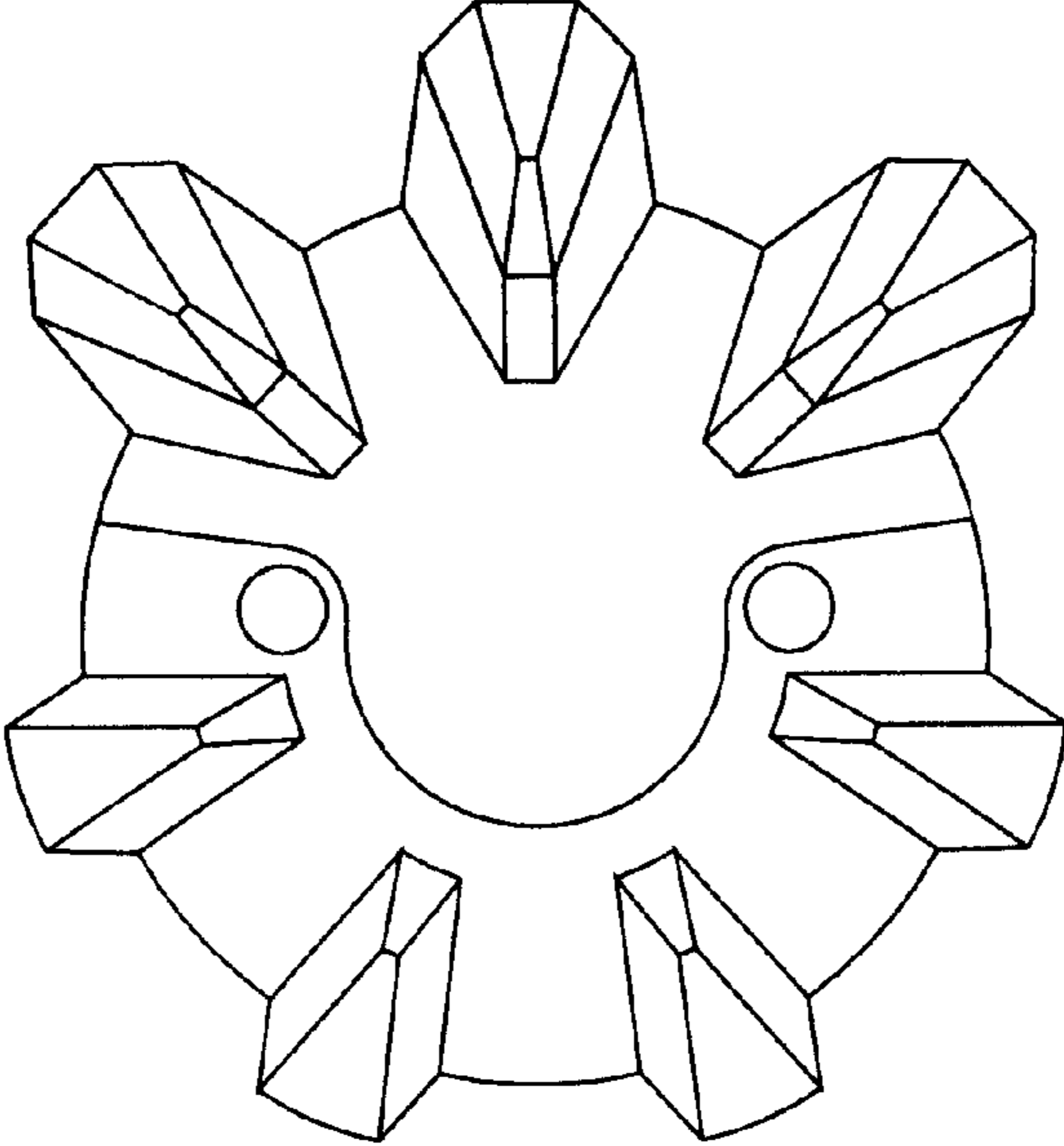


FIG. 2

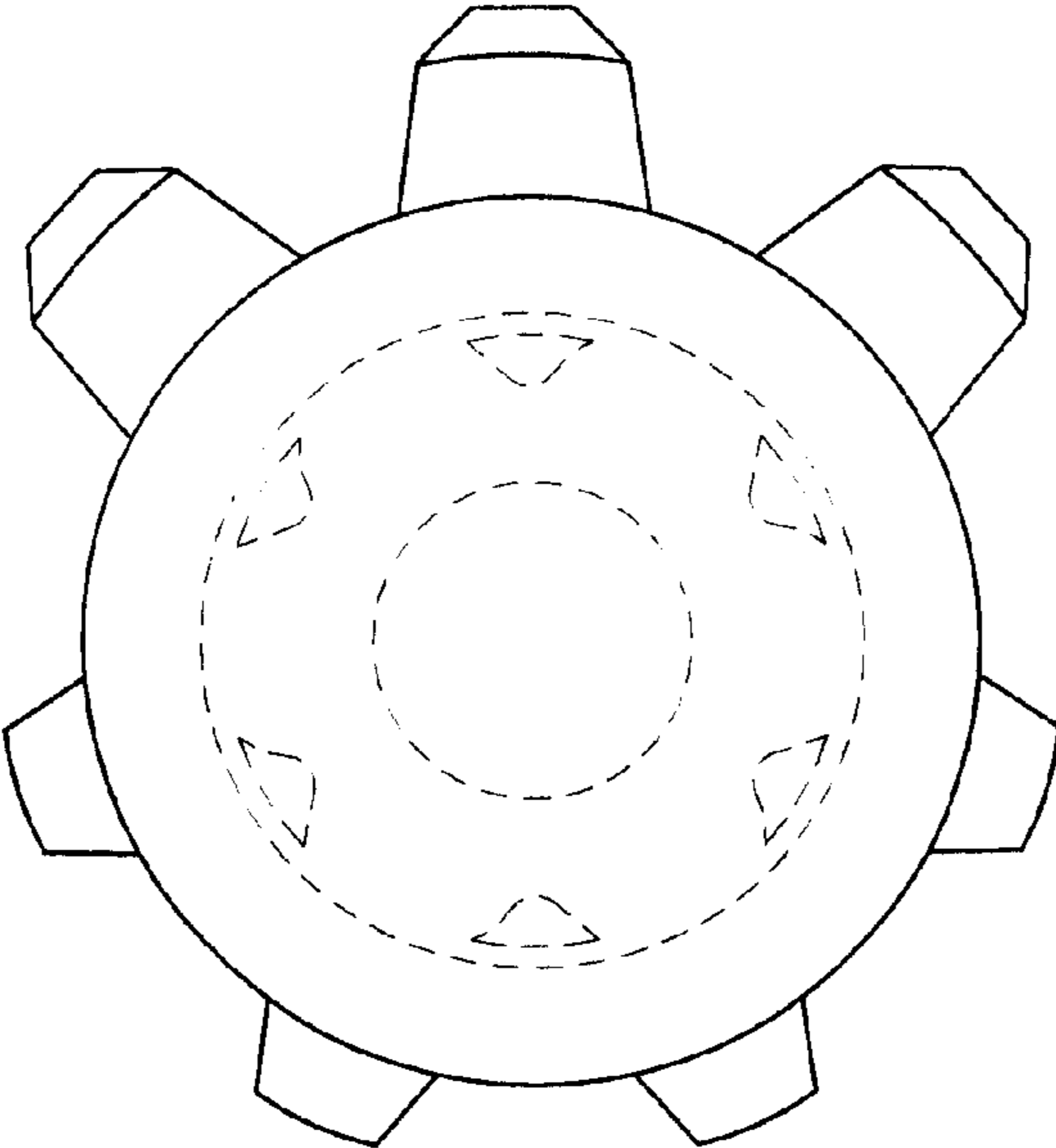


FIG. 3

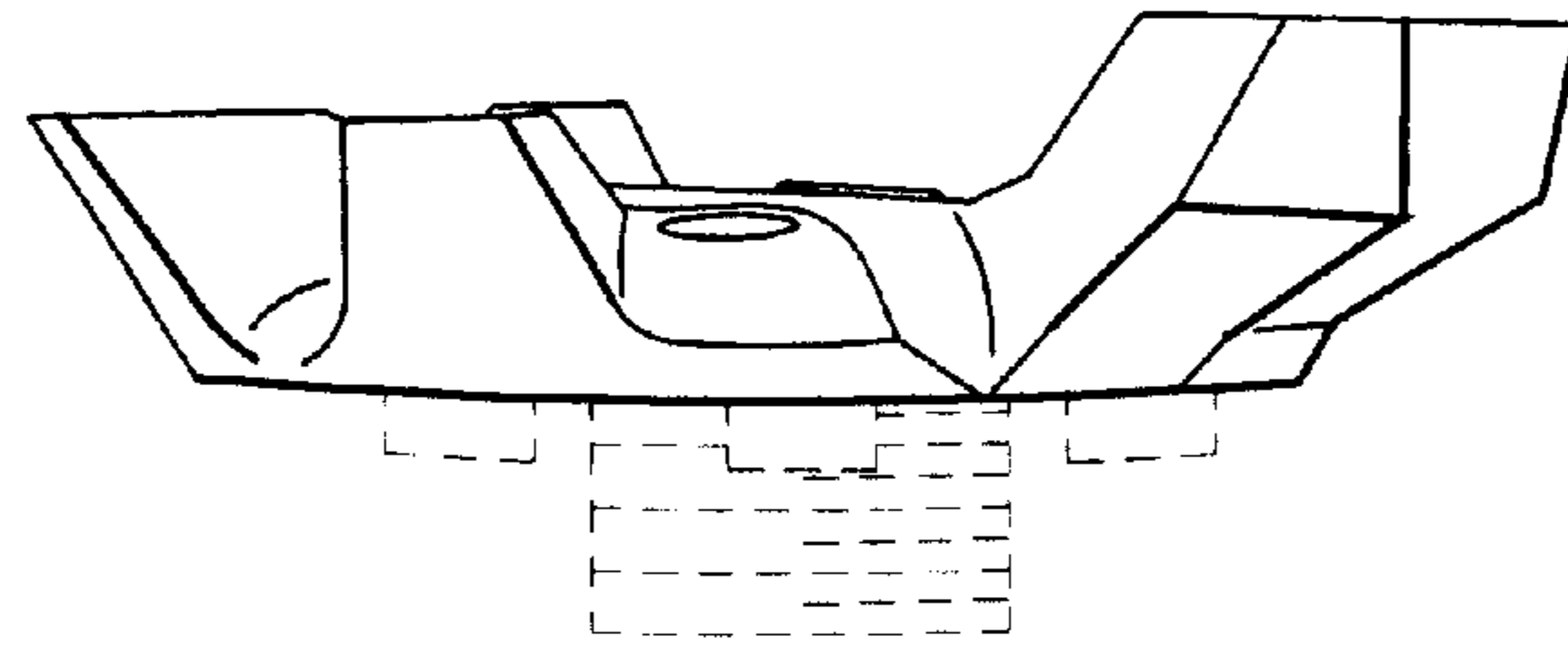


FIG. 4

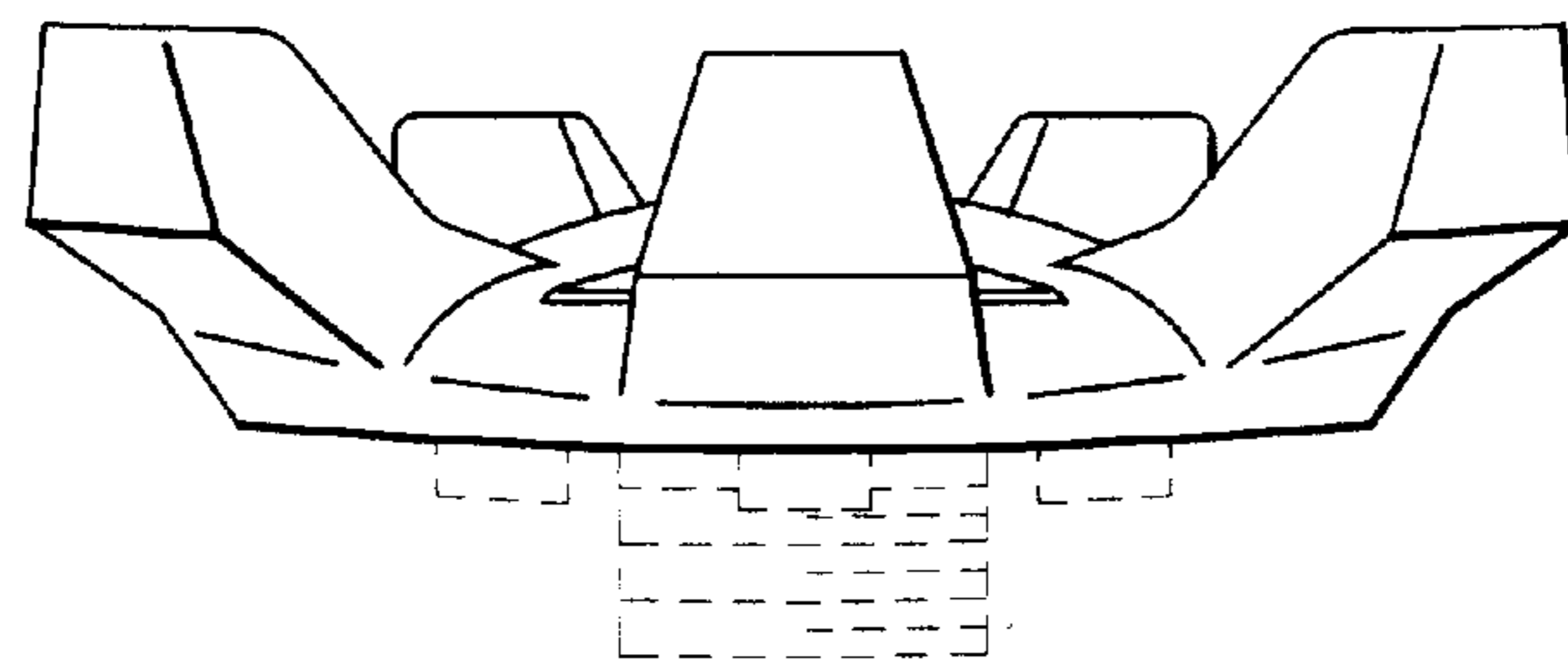


FIG. 5

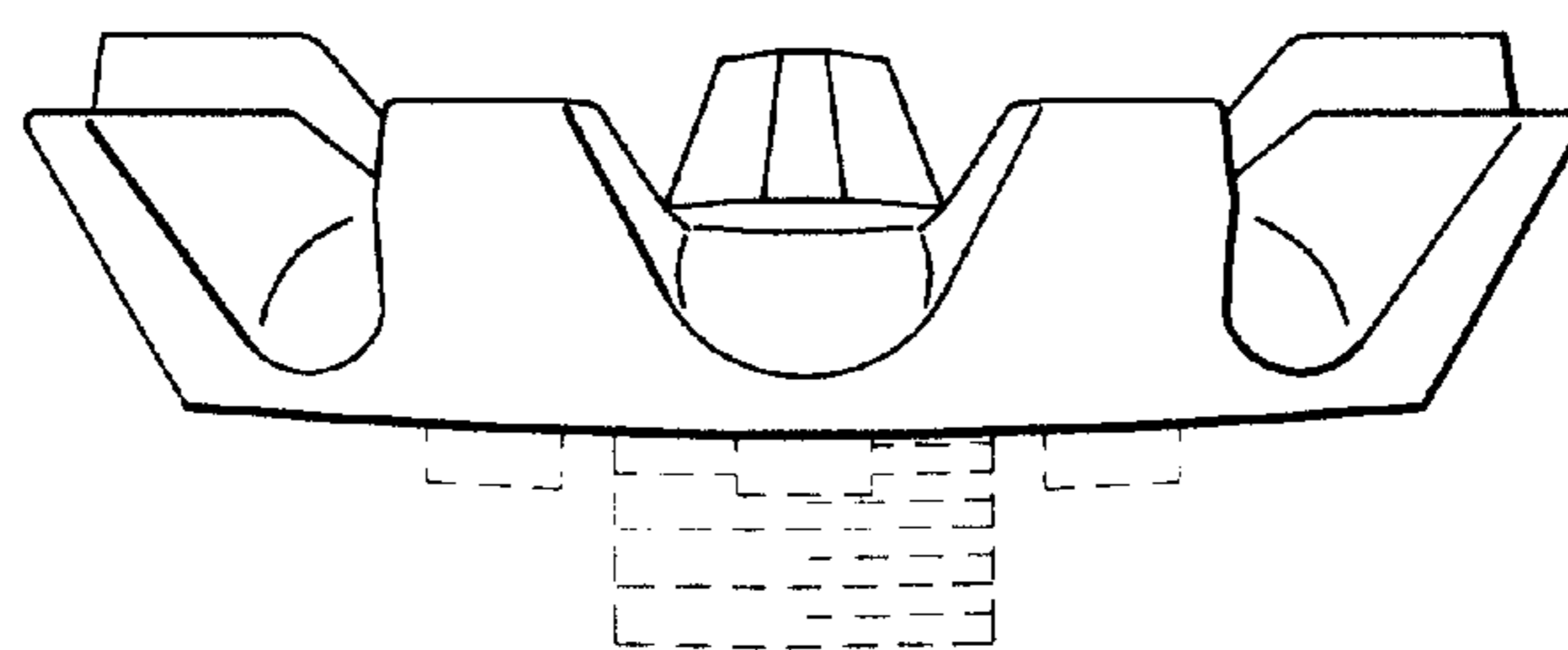


FIG. 6