

US00D493264S1

(12) **United States Design Patent**  
**Oas**

(10) **Patent No.:** **US D493,264 S**  
(45) **Date of Patent:** **\*\* Jul. 20, 2004**

(54) **CD CLEANER**

(75) Inventor: **Daniel Oas**, El Monte, CA (US)

(73) Assignee: **Calibre International, LLC**, Irwindale, CA (US)

(\*\*) Term: **14 Years**

(21) Appl. No.: **29/195,056**

(22) Filed: **Dec. 5, 2003**

(51) **LOC (7) Cl.** ..... **08-99**

(52) **U.S. Cl.** ..... **D32/35**

(58) **Field of Search** ..... D4/137; D32/35;  
15/97.1, 209.1, 210.1, 214, DIG. 14; 369/72

(56) **References Cited**

**U.S. PATENT DOCUMENTS**

D146,914 S	*	6/1947	Grae	.....	D4/137 X
2,977,127 A	*	3/1961	Mertes	.....	15/210.1
D259,911 S	*	7/1981	Davis et al.	.....	D32/35
D277,326 S	*	1/1985	Allsop	.....	D32/35
4,662,025 A	*	5/1987	Fritsch	.....	15/97.1 X
4,750,231 A	*	6/1988	Kogashiwa	.....	15/97.1
4,759,093 A	*	7/1988	Hood	.....	15/97.1 X
D366,737 S	*	1/1996	Chen	.....	D32/35

\* cited by examiner

*Primary Examiner*—Alan P. Douglas

*Assistant Examiner*—Lavone D. Tabor

(74) *Attorney, Agent, or Firm*—The Soni Law Firm; Michael E Hoffman

(57) **CLAIM**

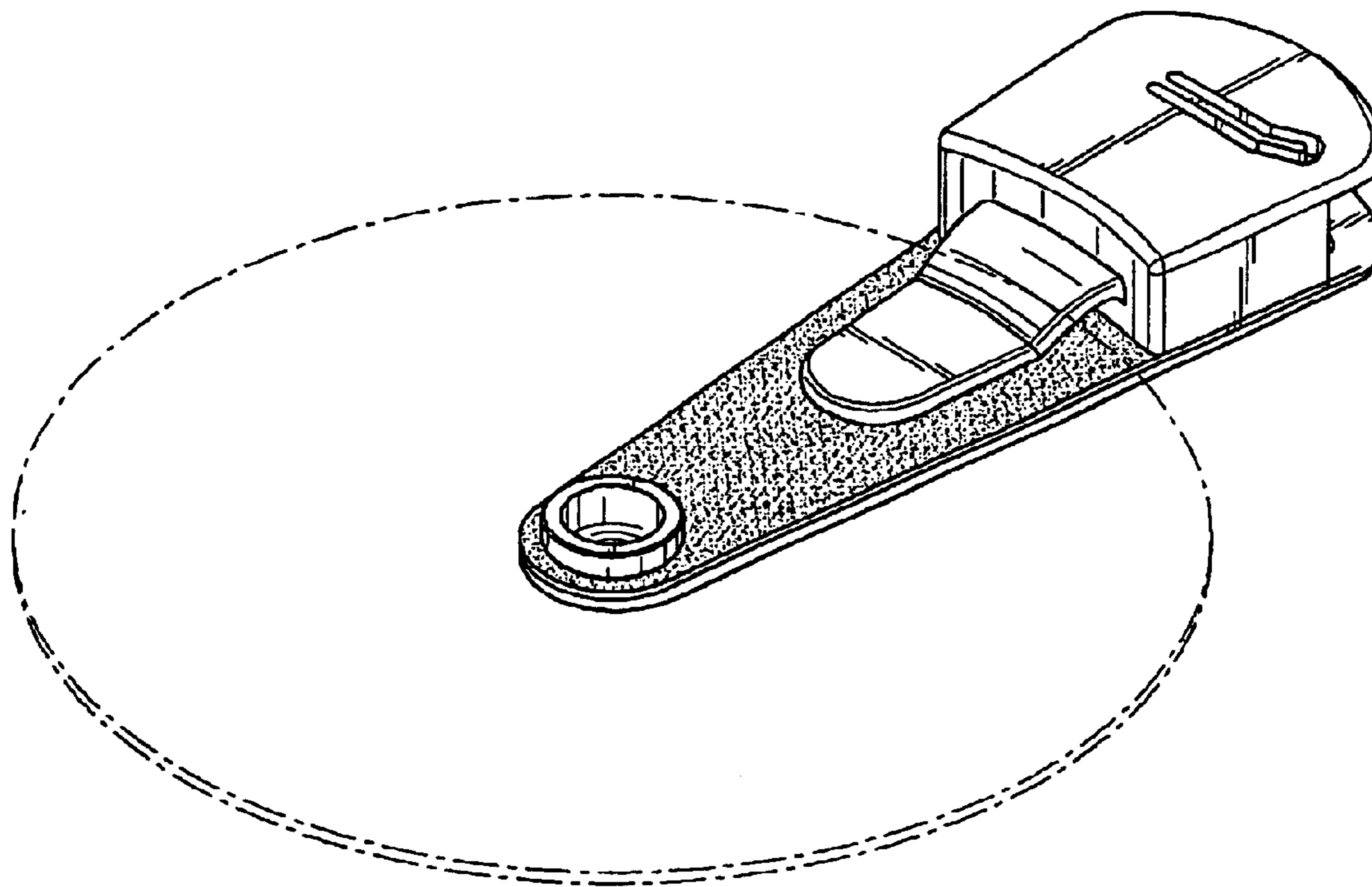
The ornamental design for a CD cleaner, as shown and described.

**DESCRIPTION**

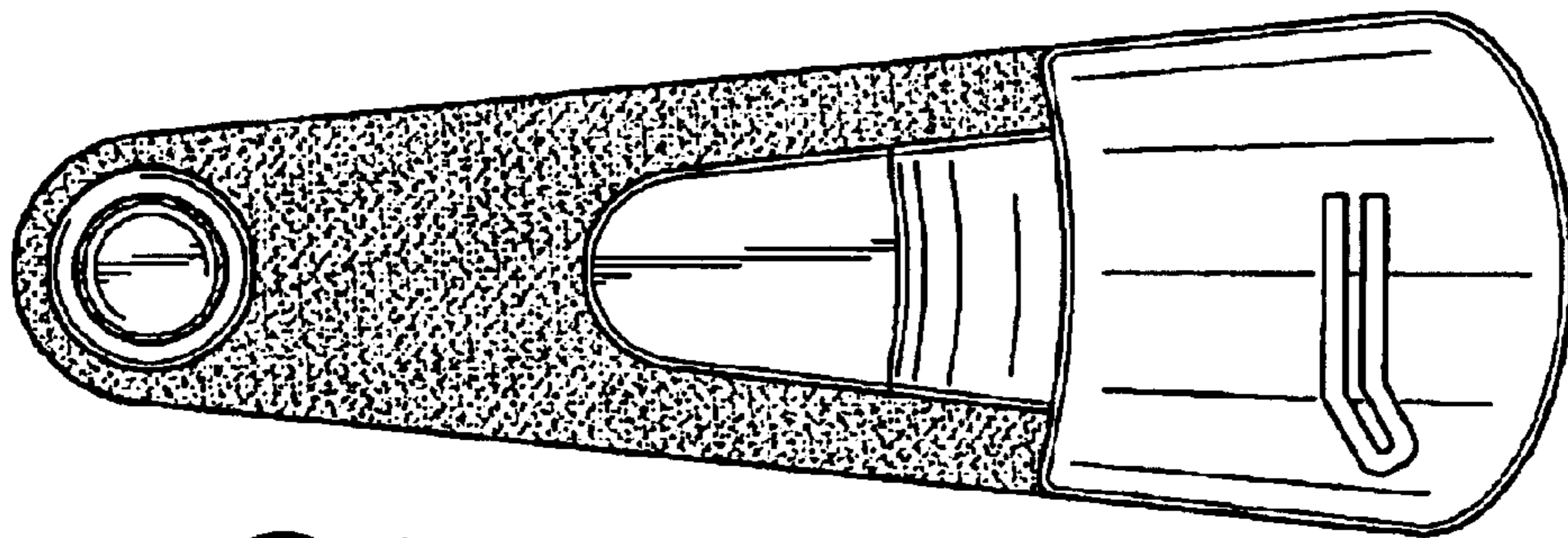
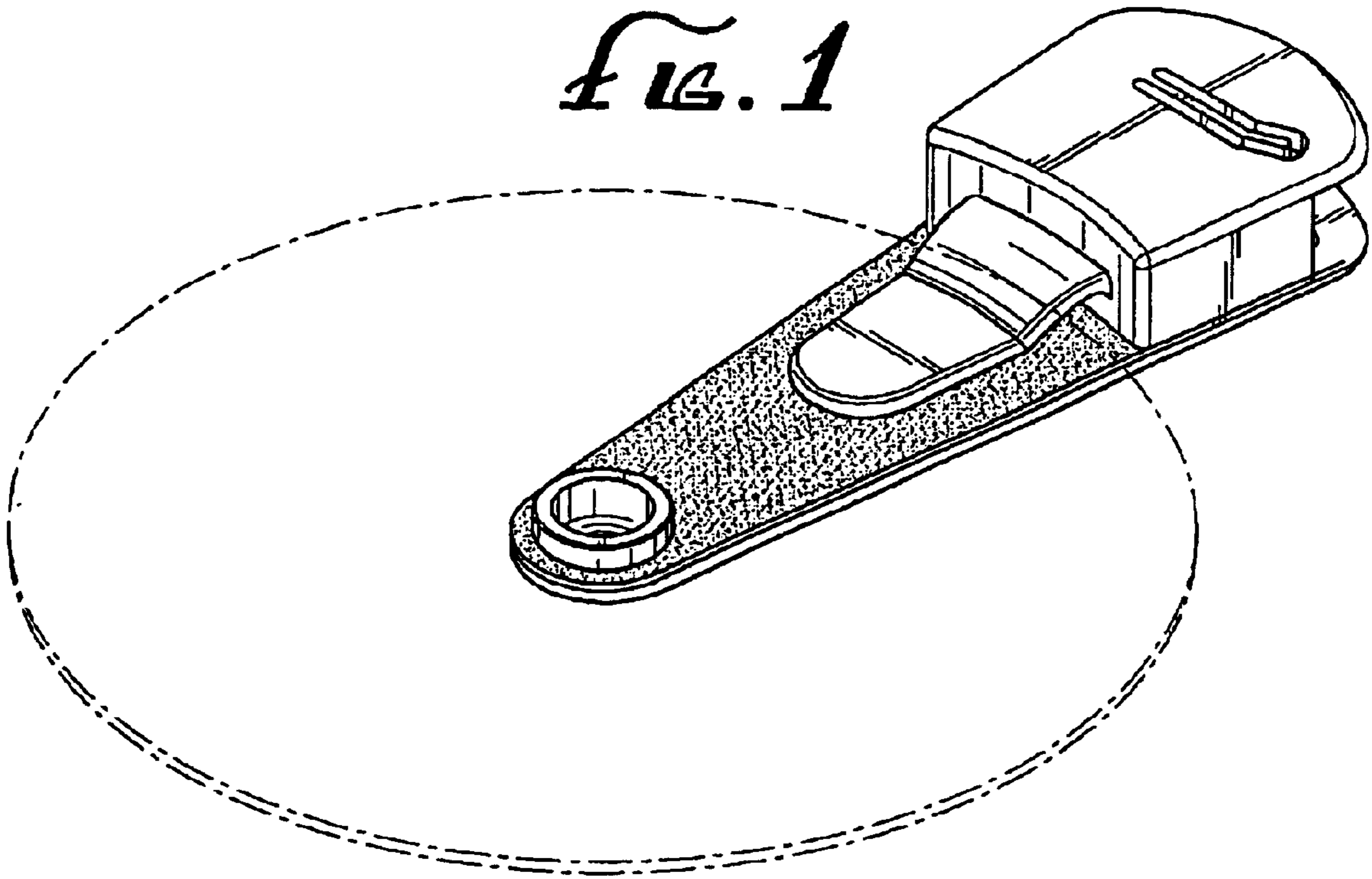
FIG. 1 is a perspective view of a CD cleaner;  
FIG. 2 is a top plan view of the CD cleaner of FIG. 1;  
FIG. 3 is a bottom plan view of the CD cleaner of FIG. 1;  
FIG. 4 is a left side elevational view of the CD cleaner of FIG. 1;  
FIG. 5 is a right side elevational view of the CD cleaner of FIG. 1;  
FIG. 5 is a front elevational view of the CD cleaner of FIG. 1; and,  
FIG. 6 is a rear elevational view of the CD cleaner of FIG. 1.

The broken-line structure shown in FIG. 1 is for illustrative purposes only and forms no part of the claimed design.

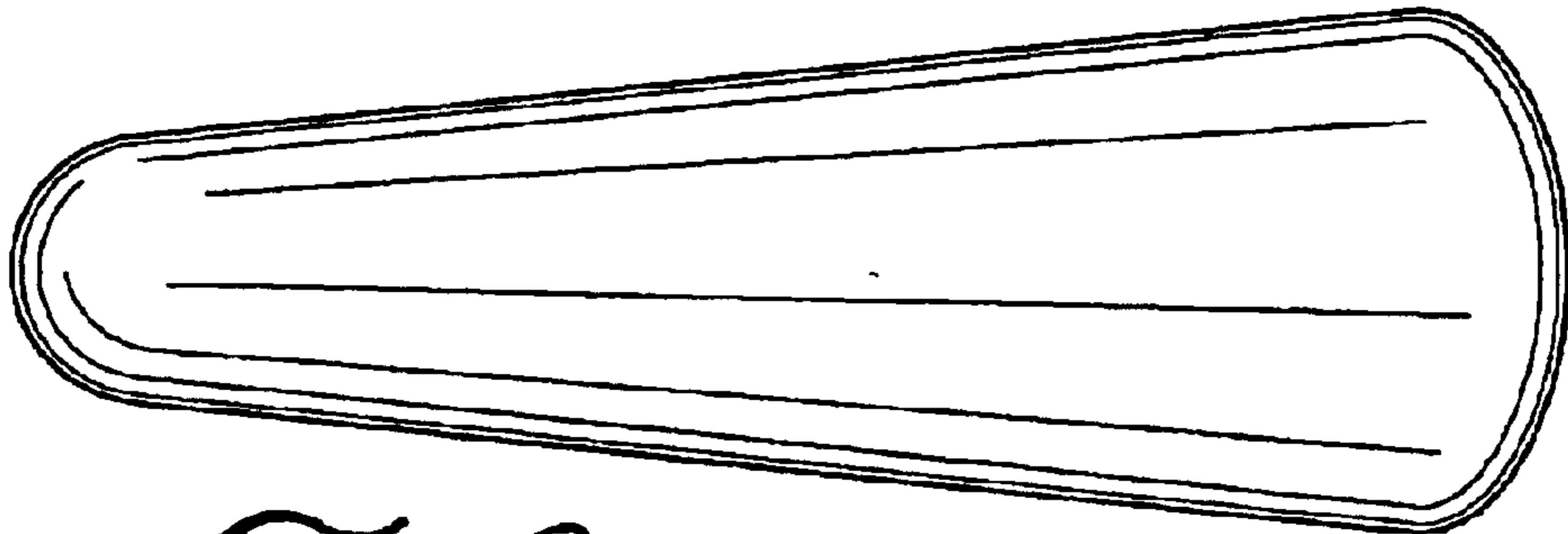
**1 Claim, 2 Drawing Sheets**



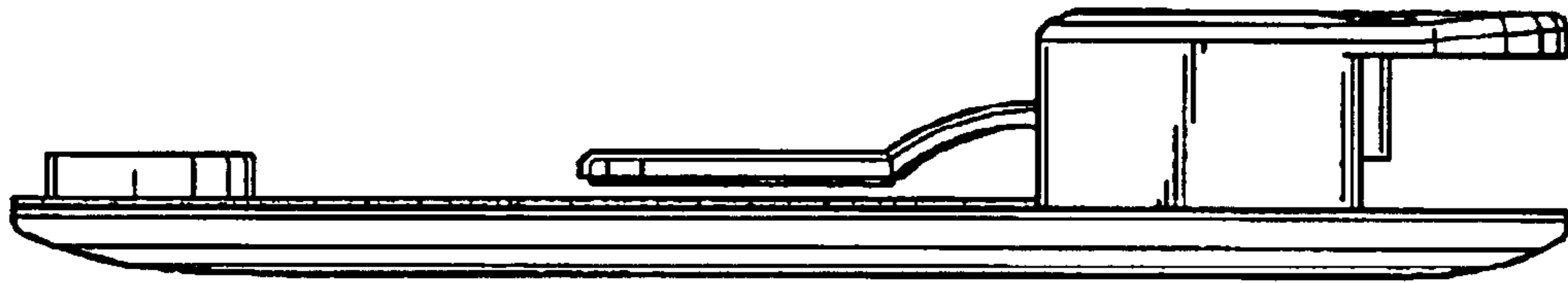
*FIG. 1*



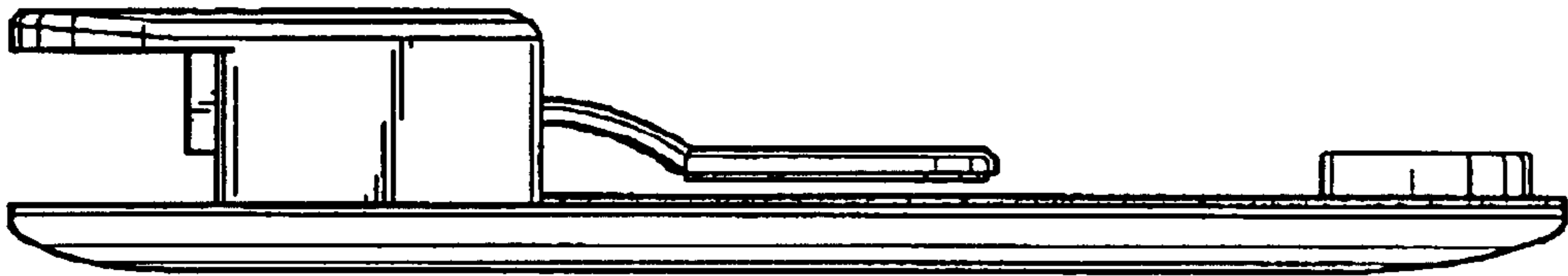
*FIG. 2*



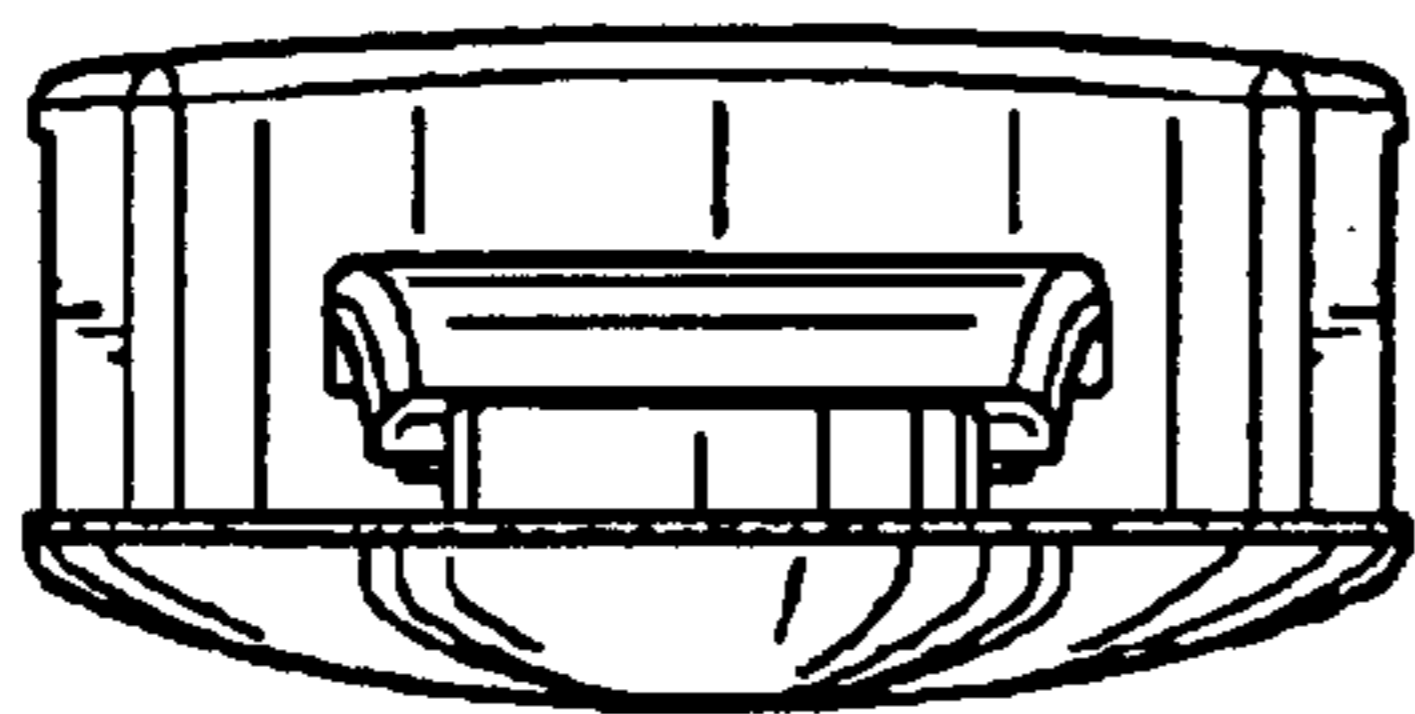
*FIG. 3*



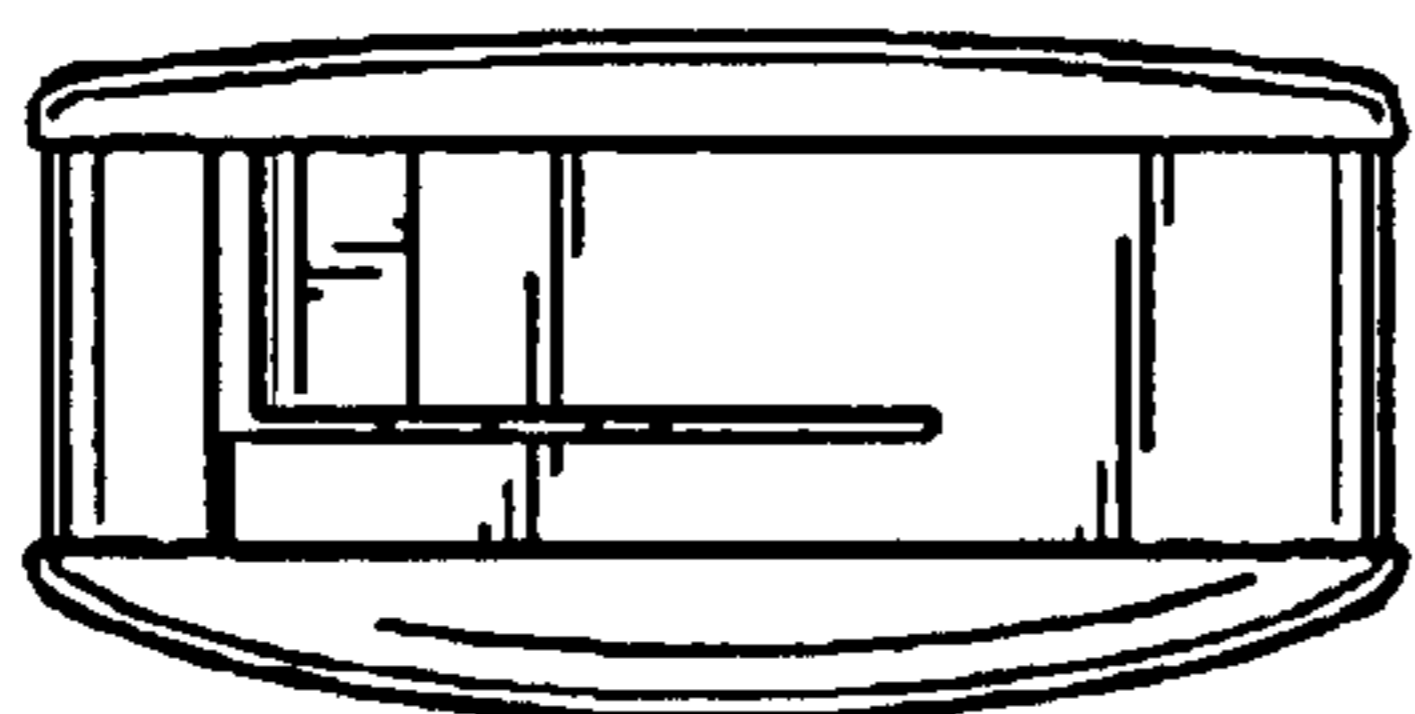
*FIG. 4*



*FIG. 5*



*FIG. 6*



*FIG. 7*