

US00D493254S1

(12) **United States Design Patent**  
**Angeletta**

(10) **Patent No.: US D493,254 S**

(45) **Date of Patent: \*\* Jul. 20, 2004**

(54) **LIQUID AND LOTION APPLICATOR**

(76) **Inventor: Joseph G. Angeletta, 418 Fifth St.,  
Mamaroneck, NY (US) 10543**

(\*\*) **Term: 14 Years**

(21) **Appl. No.: 29/185,218**

(22) **Filed: Jun. 24, 2003**

**Related U.S. Application Data**

(62) Division of application No. 29/161,911, filed on Jun. 6, 2002, now Pat. No. Des. 477,435, which is a division of application No. 29/146,811, filed on Aug. 16, 2001, now Pat. No. Des. 460,580, which is a division of application No. 29/131,400, filed on Oct. 20, 2000, now Pat. No. Des. 449,406, which is a division of application No. 29/107,071, filed on Jun. 25, 1999, now Pat. No. Des. 438,671.

(51) **LOC (7) Cl. .... 28-03**

(52) **U.S. Cl. .... D28/7**

(58) **Field of Search** ..... 132/320, 317;  
D7/514; D28/7, 63; D9/338, 307, 330,  
331; D3/270, 271; D24/119; D4/114, 116,  
127, 124, 137, 138; 15/104.94, 244.1-244.4,  
143.1; D32/40, 42, 43, 45, 51, 52; 401/6,  
44, 137-139, 152, 153, 196, 197, 198,  
202-207, 263-266, 268, 270-275

(56) **References Cited**

**U.S. PATENT DOCUMENTS**

D142,778 S \* 11/1945 Genske ..... D9/341

D241,225 S \* 8/1976 McCurdy ..... D9/307  
5,322,382 A \* 6/1994 Hull et al. .... 401/131  
D357,810 S \* 5/1995 Evans ..... D4/114  
5,454,659 A \* 10/1995 Vosbikian et al. .... 401/207  
D384,436 S \* 9/1997 Kelley ..... D28/7  
5,931,591 A \* 8/1999 McCracken ..... 401/6  
D417,033 S \* 11/1999 Sachs et al. .... D28/7

\* cited by examiner

*Primary Examiner*—Lucy Lieberman

(74) *Attorney, Agent, or Firm*—Scully, Scott, Murphy & Presser

(57) **CLAIM**

The ornamental design for a liquid and lotion applicator, as shown and described.

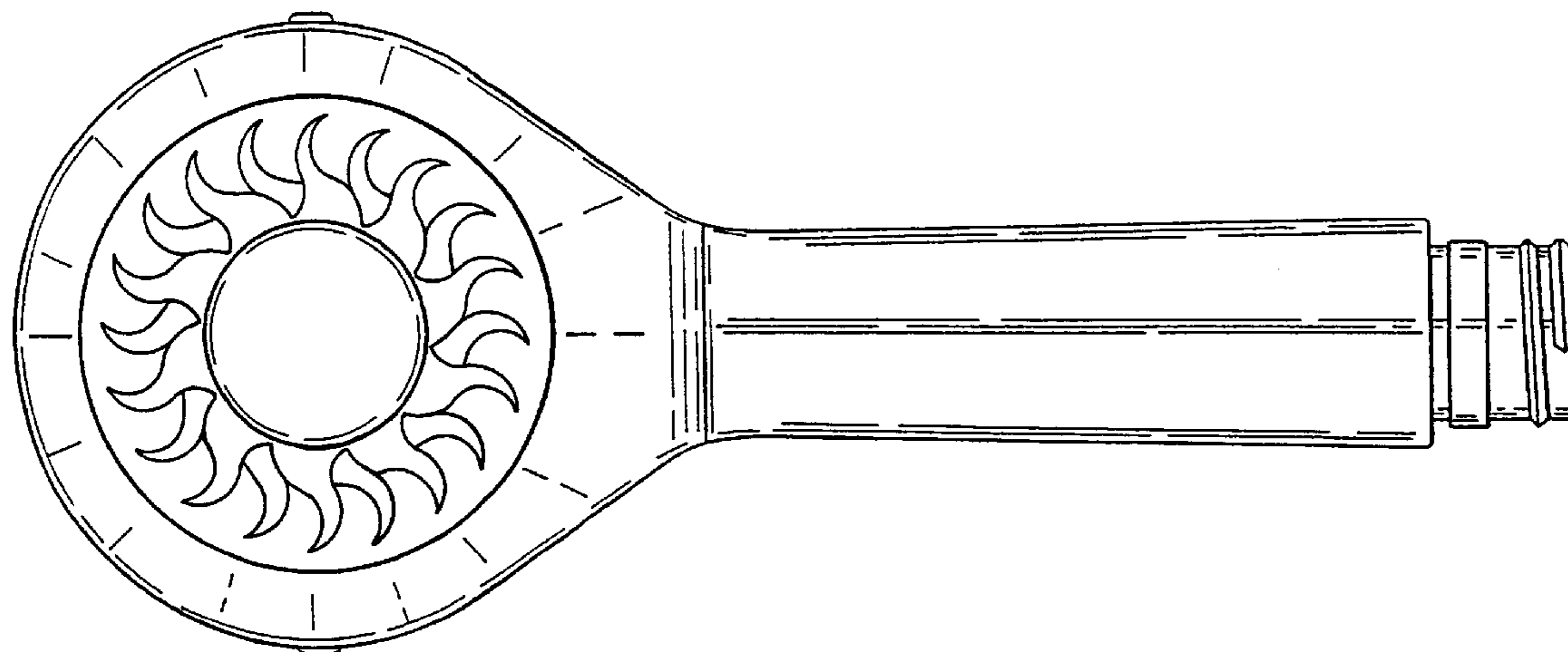
**DESCRIPTION**

FIG. 1 illustrates a bottom plan view of a liquid and lotion applicator showing my new and ornamental design,

FIG. 2 illustrates a top plan view thereof; and,

FIG. 3 illustrates a side view thereof, the opposite side being a mirror-image thereof, except for the continuous screw threading on the neck.

**1 Claim, 2 Drawing Sheets**



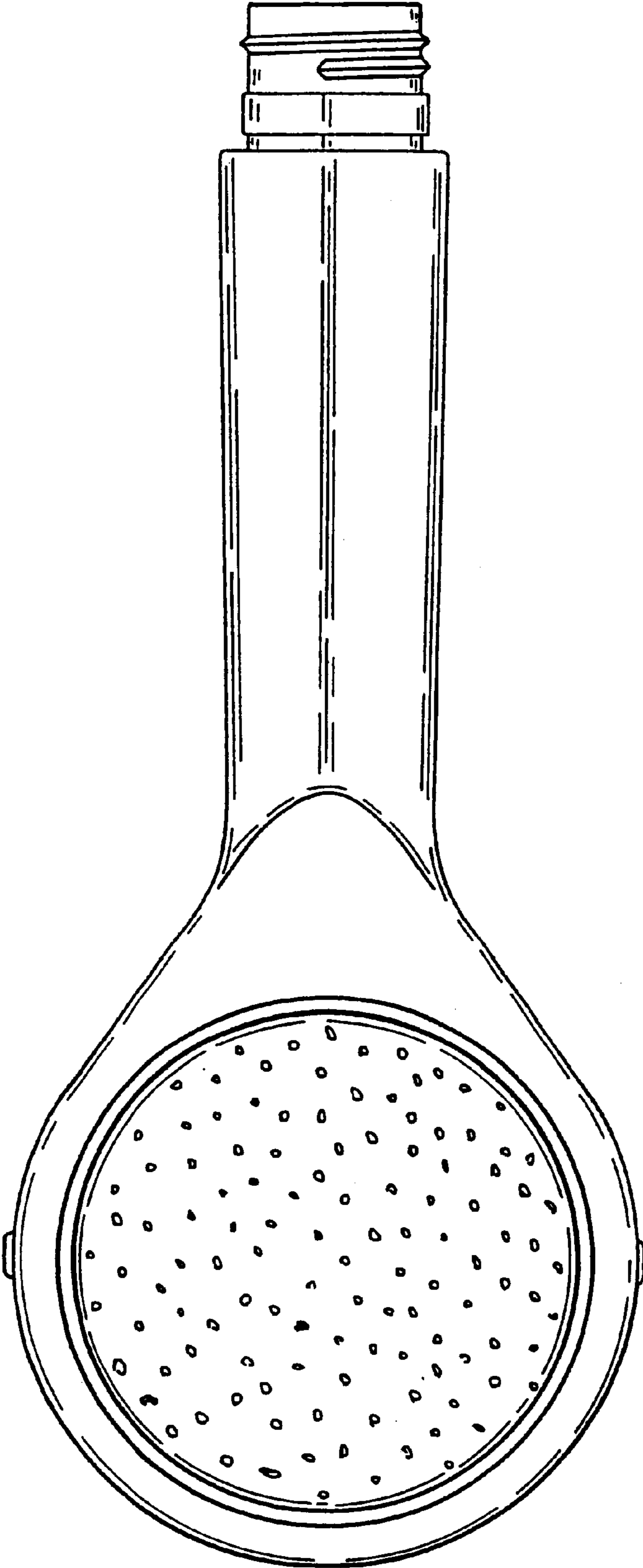


FIG. 1

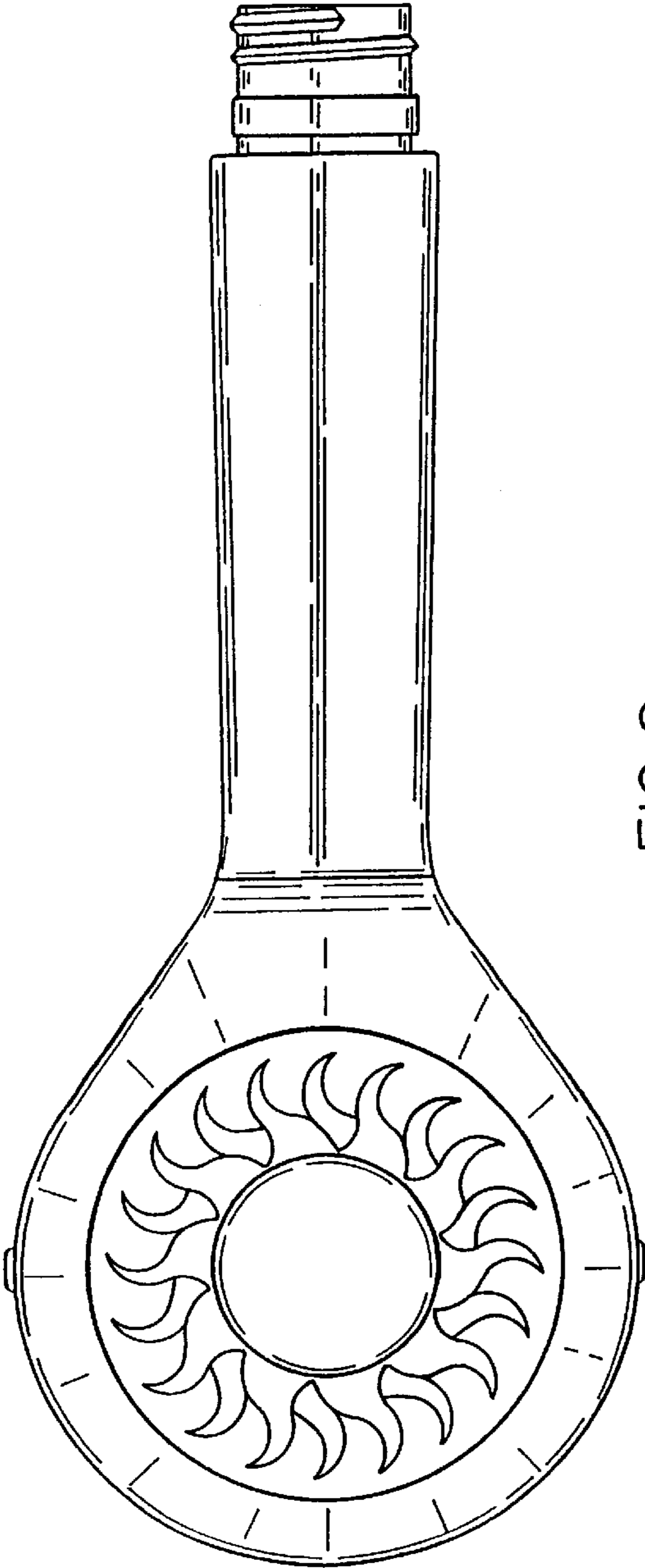


FIG. 2

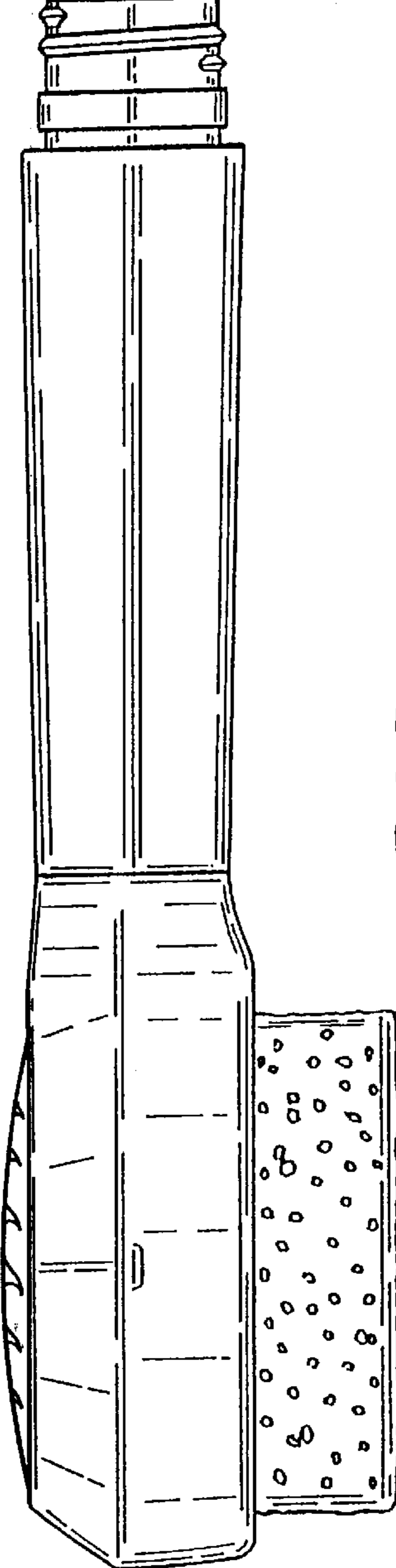


FIG. 3