

US00D493253S1

(12) **United States Design Patent**
Angeletta

(10) **Patent No.:** **US D493,253 S**

(45) **Date of Patent:** **** Jul. 20, 2004**

(54) **LIQUID AND LOTION APPLICATOR WITH FINGER ACTUATED BELLOWS-TYPE PRESSURE PUMP**

(76) **Inventor:** **Joseph G. Angeletta**, 418 Fifth St., Mamaroneck, NY (US) 10543

(**) **Term:** **14 Years**

(21) **Appl. No.:** **29/169,321**

(22) **Filed:** **Oct. 17, 2002**

Related U.S. Application Data

(63) Continuation-in-part of application No. 29/145,572, filed on Jul. 25, 2001, now abandoned.

(51) **LOC (7) Cl.** **28-02**

(52) **U.S. Cl.** **D28/7**

(58) **Field of Search** D28/7, 8, 63, 91.1; D24/119; D4/137, 138, 127, 114, 116, 158; D32/45, 51, 52, 40, 42; 15/104.93, 104.94, 244.1-244.4, 143.1; 222/209, 633, 383.1; 401/6, 266, 202-207, 263-265, 44, 152, 153, 187, 190, 137, 138, 139, 196, 197, 198; 132/320, 317; 604/1, 2, 3; D9/436, 301, 448, 447, 449, 300

(56) **References Cited**

U.S. PATENT DOCUMENTS

3,241,727 A * 3/1966 Heckman 222/213
5,322,382 A * 6/1994 Hull et al. 401/131

5,454,659 A * 10/1995 Vosbikian et al. 401/207
5,462,377 A * 10/1995 Martinez et al. 401/185
D369,882 S * 5/1996 McCarthy D28/7
5,984,554 A * 11/1999 Bouix 401/98
D434,525 S * 11/2000 Angeletta D28/7
D445,954 S * 7/2001 Angeletta D28/7
D461,279 S * 8/2002 Angeletta D28/7
D481,167 S * 10/2003 Angeletta D28/7

* cited by examiner

Primary Examiner—Lucy Lieberman

(74) *Attorney, Agent, or Firm*—Scully, Scott, Murphy & Presser

(57) **CLAIM**

The ornamental design for a liquid and lotion applicator with finger actuated bellows-type pressure pump, as shown and described.

DESCRIPTION

FIG. 1 illustrates a side view of the liquid and lotion applicator with finger actuated bellows-type pressure pump showing my new and ornamental design, the opposite side being a mirror-image thereof;

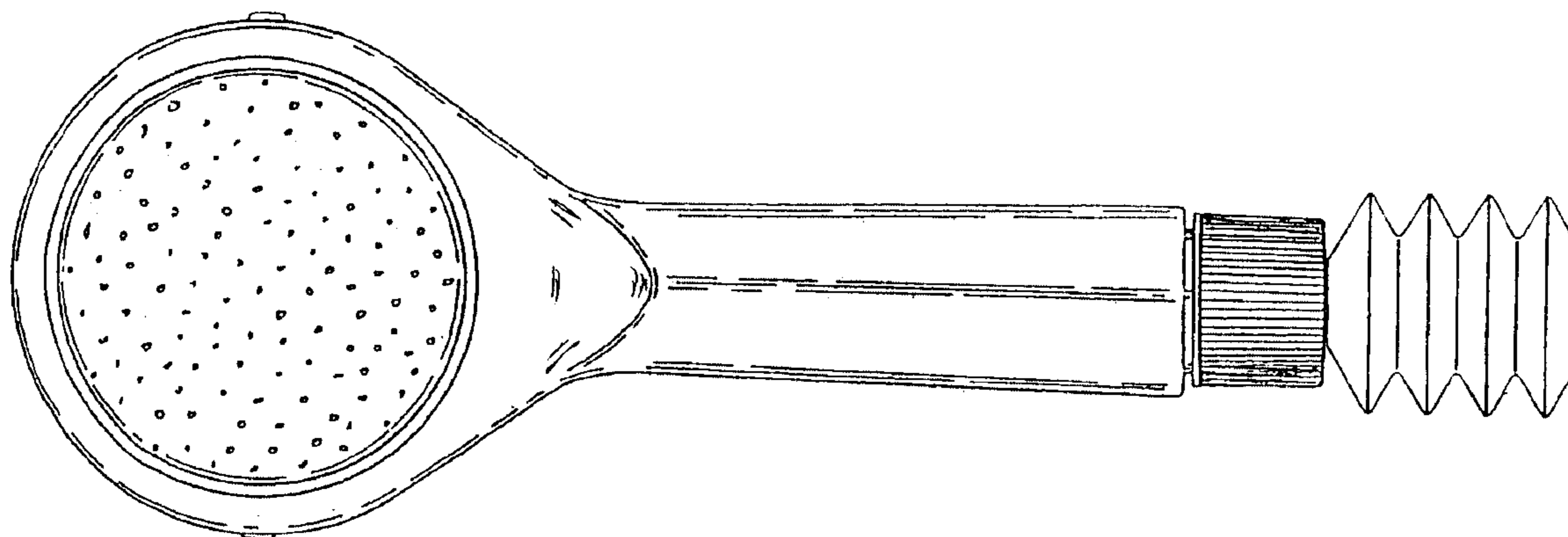
FIG. 2 illustrates a bottom view;

FIG. 3 illustrates a top plan view thereof; and,

FIG. 4 is a top plan view of the finger actuated bellows-type pressure pump shown without the liquid and lotion applicator for ease of illustration.

FIG. 2 in the drawings is shown on a smaller scale than the other views.

1 Claim, 2 Drawing Sheets



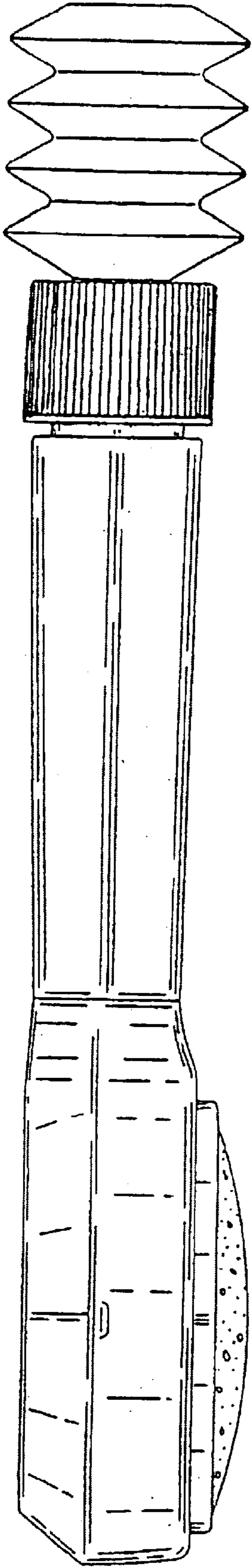


FIG. 1

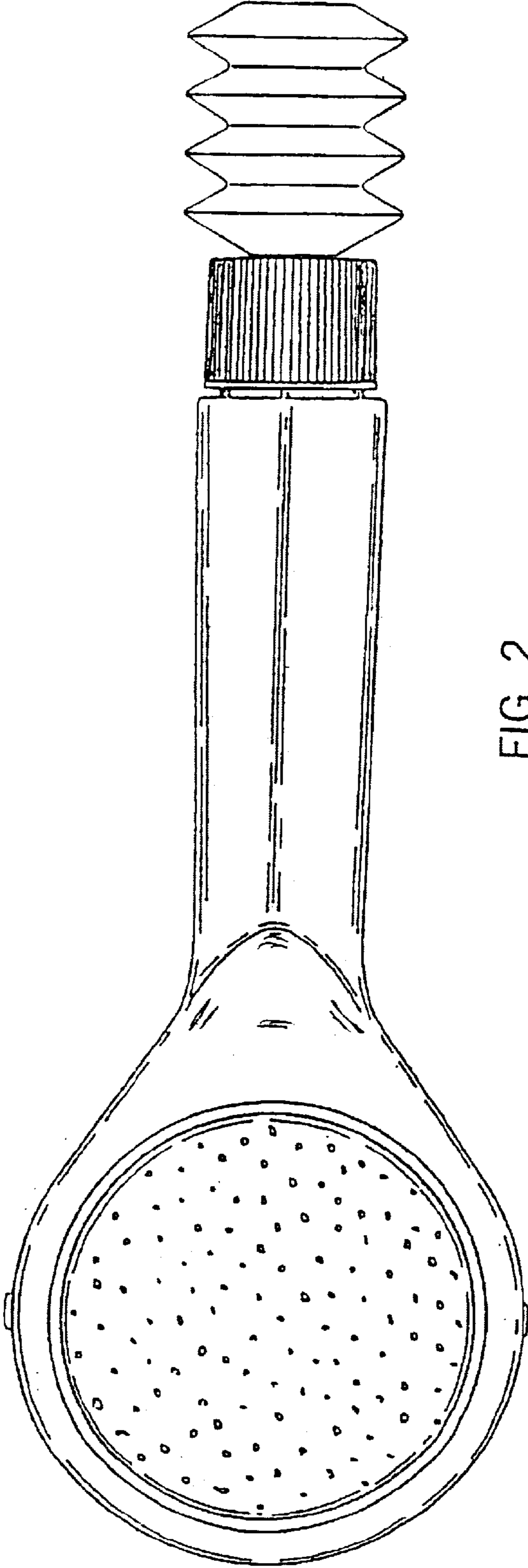


FIG. 2

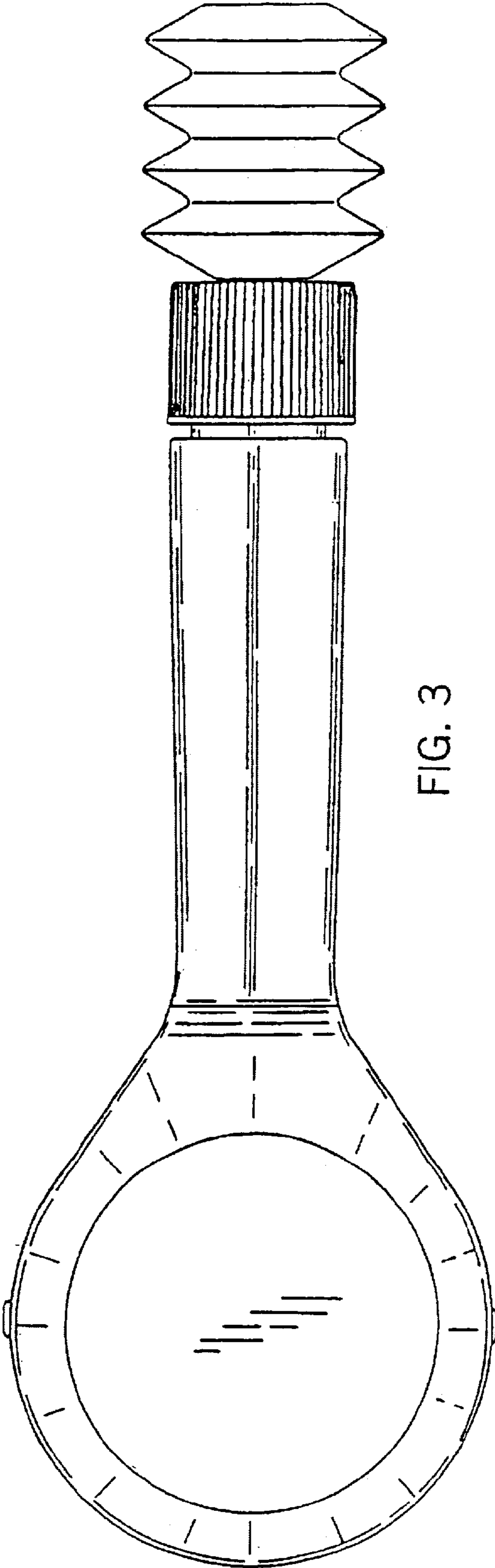


FIG. 3

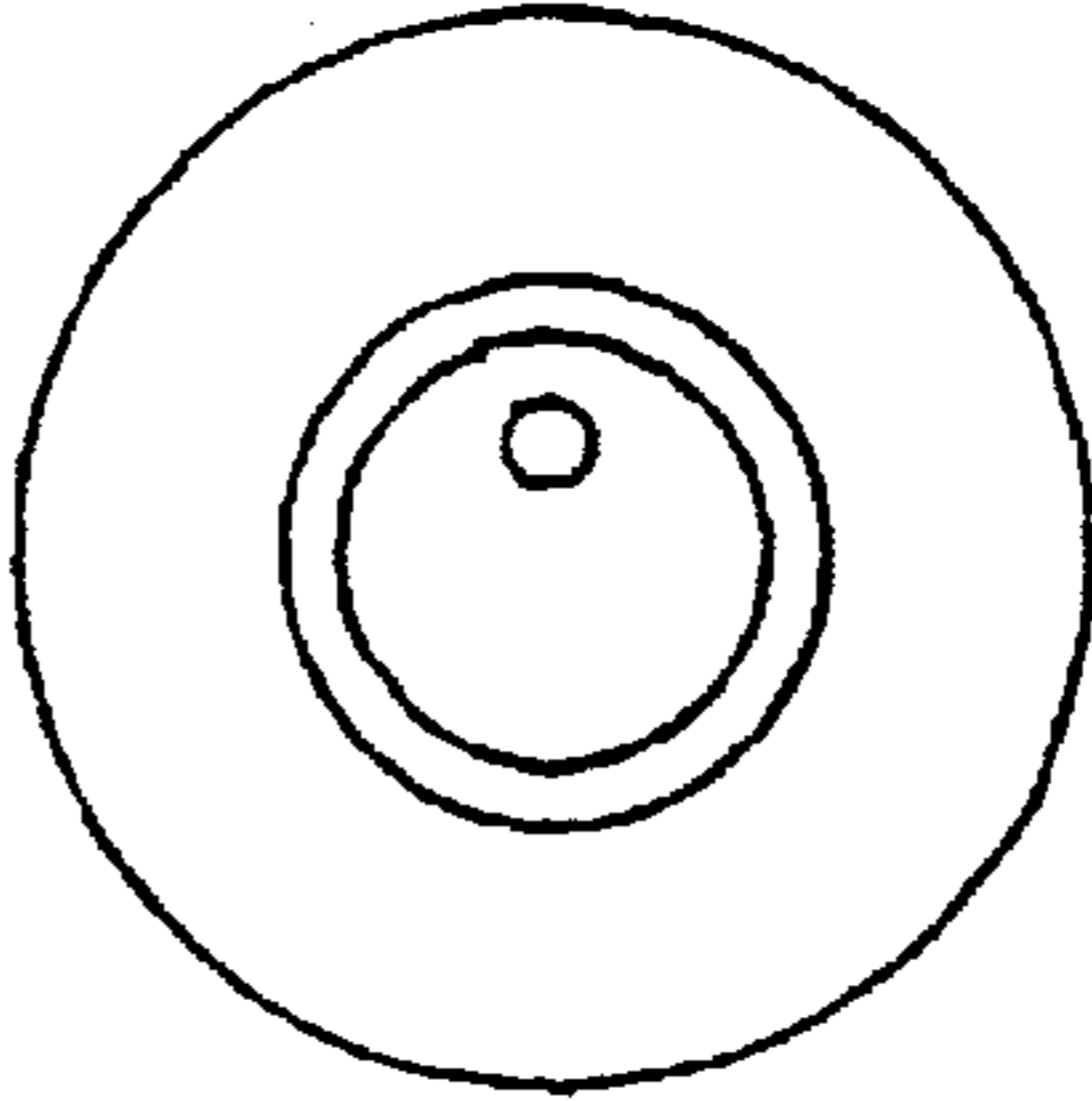


FIG. 4