

US00D493252S1

(12) **United States Design Patent**  
**Chen**

(10) **Patent No.:** **US D493,252 S**

(45) **Date of Patent:** **\*\* \*Jul. 20, 2004**

(54) **CIGARETTE LIGHTER**

(76) Inventor: **Peter Chen**, 11135 E. Rush St., Suite  
B, S. El monte, CA (US) 91733

(\*) Notice: This patent is subject to a terminal dis-  
claimer.

(\*\*) Term: **14 Years**

(21) Appl. No.: **29/152,534**

(22) Filed: **Dec. 18, 2001**

(51) **LOC (7) Cl.** ..... **27-05**

(52) **U.S. Cl.** ..... **D27/156**

(58) **Field of Search** ..... D27/141, 154,  
D27/156; 431/267, 276, 142, 143

(56) **References Cited**

**U.S. PATENT DOCUMENTS**

D230,069 S	1/1974	Yoshinaga	.....	D48/27 R
3,895,904 A *	7/1975	Kimball	.....	431/254
D241,353 S	9/1976	Martin	.....	D27/42
D243,963 S	4/1977	Stephens, Jr.	.....	D27/42
D245,188 S	7/1977	Racek	.....	D27/42
D245,189 S	7/1977	Terasaki	.....	D27/42
D245,345 S	8/1977	Nitta	.....	D27/42
D246,862 S	1/1978	Hallden	.....	D27/39
D246,997 S	1/1978	Nitta	.....	D27/42
D247,051 S	1/1978	Tricot	.....	D27/42
D247,377 S	2/1978	Nitta	.....	D27/42
D247,448 S	3/1978	Rappoport	.....	D27/42
D247,682 S	4/1978	Nitta	.....	D27/42
D249,165 S	8/1978	Hallden	.....	D27/42
D249,812 S	10/1978	Goto	.....	D27/42
D250,899 S	1/1979	Beleckis	.....	D27/42
D251,020 S	2/1979	Racek	.....	D27/42
D254,873 S	4/1980	Yoshinaga	.....	D27/42

D265,254 S	6/1982	Rams	.....	D27/42
D272,564 S	2/1984	Racek	.....	D27/42
D294,524 S	3/1988	Garcia de la Noceda Fierro	.....	D27/42
D302,597 S	8/1989	Cadoux	.....	D27/156
D309,034 S	7/1990	Nitta	.....	D27/156
D314,063 S	1/1991	Shike et al.	.....	D27/154
D321,569 S	11/1991	Wallace	.....	D27/142
D343,918 S	2/1994	Capilla	.....	D27/154
5,332,387 A *	7/1994	Sheng	.....	431/153
D360,281 S	7/1995	Kim	.....	D27/154
D377,235 S	1/1997	Inoue et al.	.....	D27/141
D379,248 S	5/1997	Khemarangsarn	.....	D27/141
5,743,725 A *	4/1998	Chan	.....	431/153
D403,105 S	12/1998	Dillick, Jr.	.....	D27/156
D410,564 S	6/1999	Sher	.....	D27/156
D425,656 S	5/2000	Aronson, II	.....	D27/141
6,099,297 A *	8/2000	Chan	.....	431/153
D439,698 S	3/2001	Fang	.....	D27/156
D443,718 S	6/2001	Abouni	.....	D27/156

\* cited by examiner

*Primary Examiner*—Jennifer Rivard

(74) *Attorney, Agent, or Firm*—Raymond Y. Chan; David  
and Raymond Patent Group

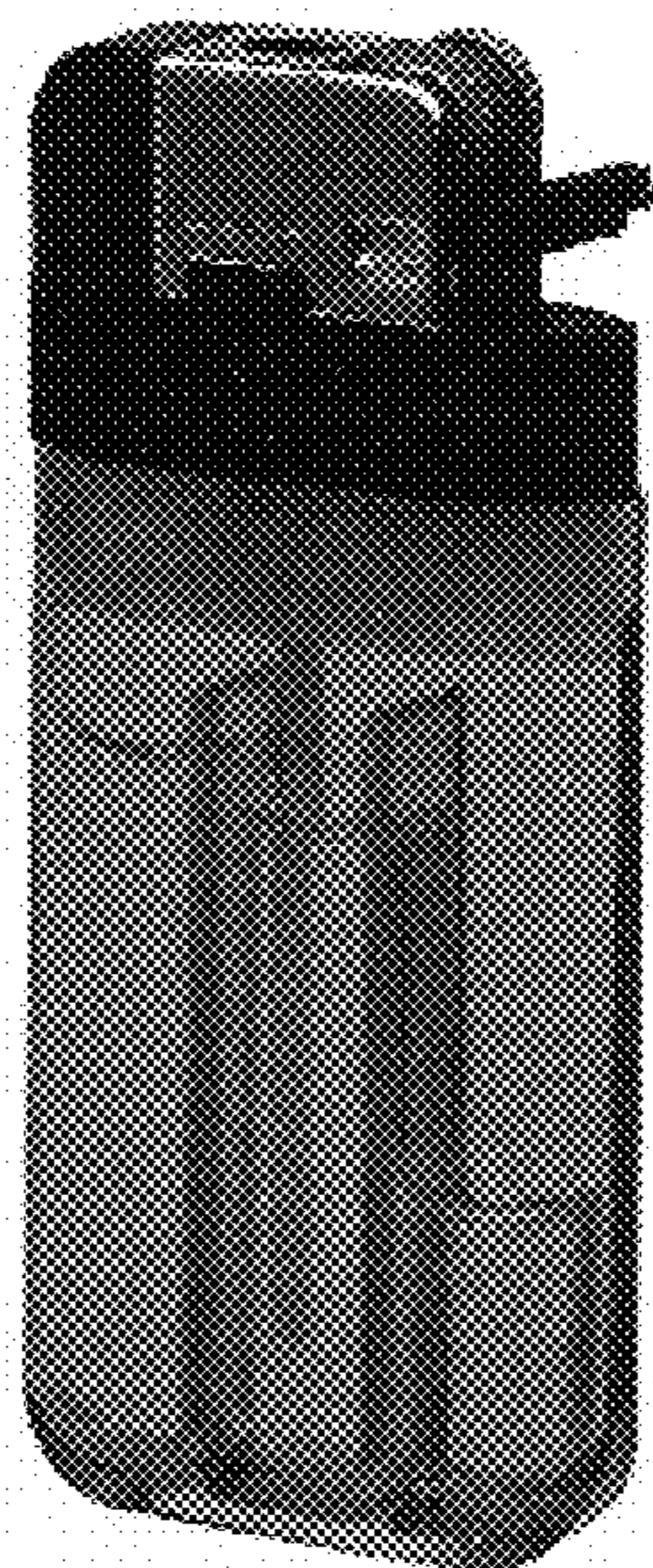
(57) **CLAIM**

The ornamental design for a cigarette lighter, as shown.

**DESCRIPTION**

FIG. 1 is a perspective view showing my new design.  
FIG. 2 is a front view thereof.  
FIG. 3 is a rear view thereof.  
FIG. 4 is a right end view thereof.  
FIG. 5 is a left end view thereof.  
FIG. 6 is a top view thereof; and,  
FIG. 7 is a bottom view thereof.

**1 Claim, 6 Drawing Sheets**



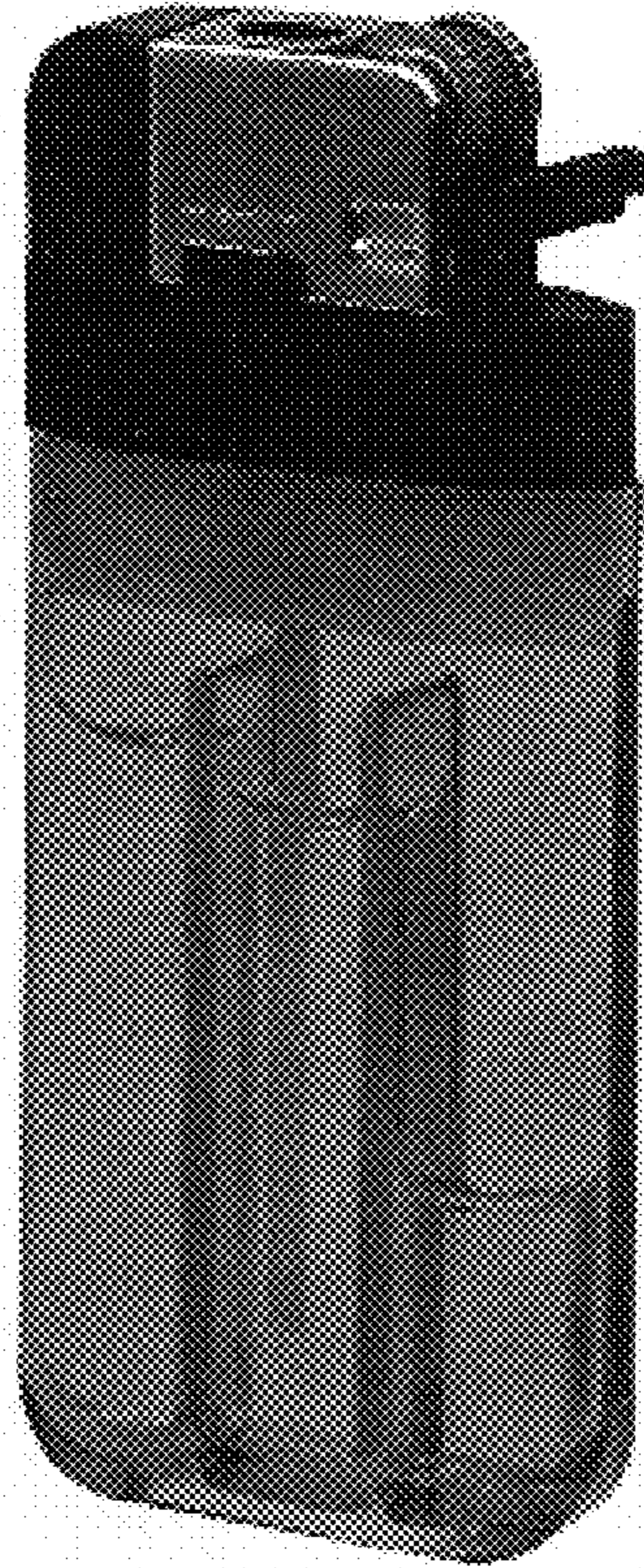


FIG. 1

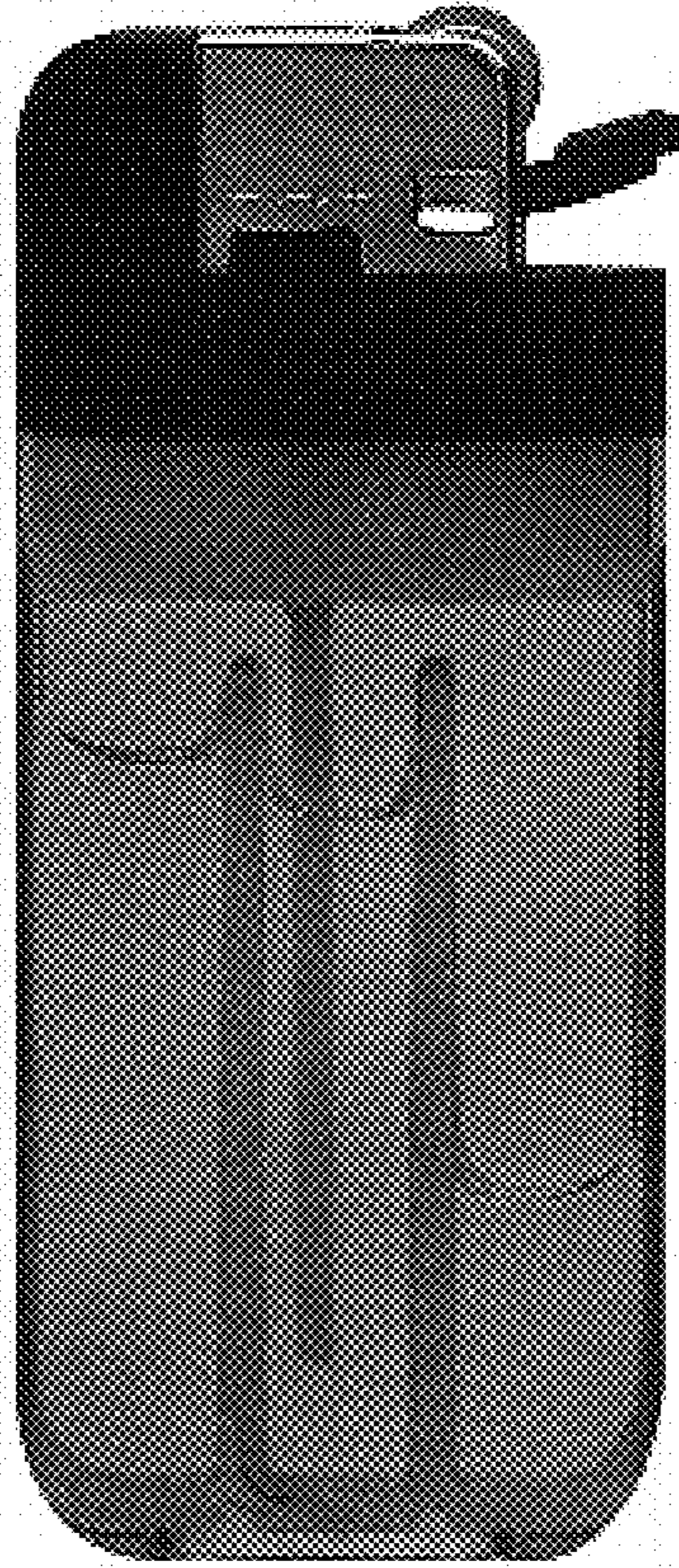


FIG. 2

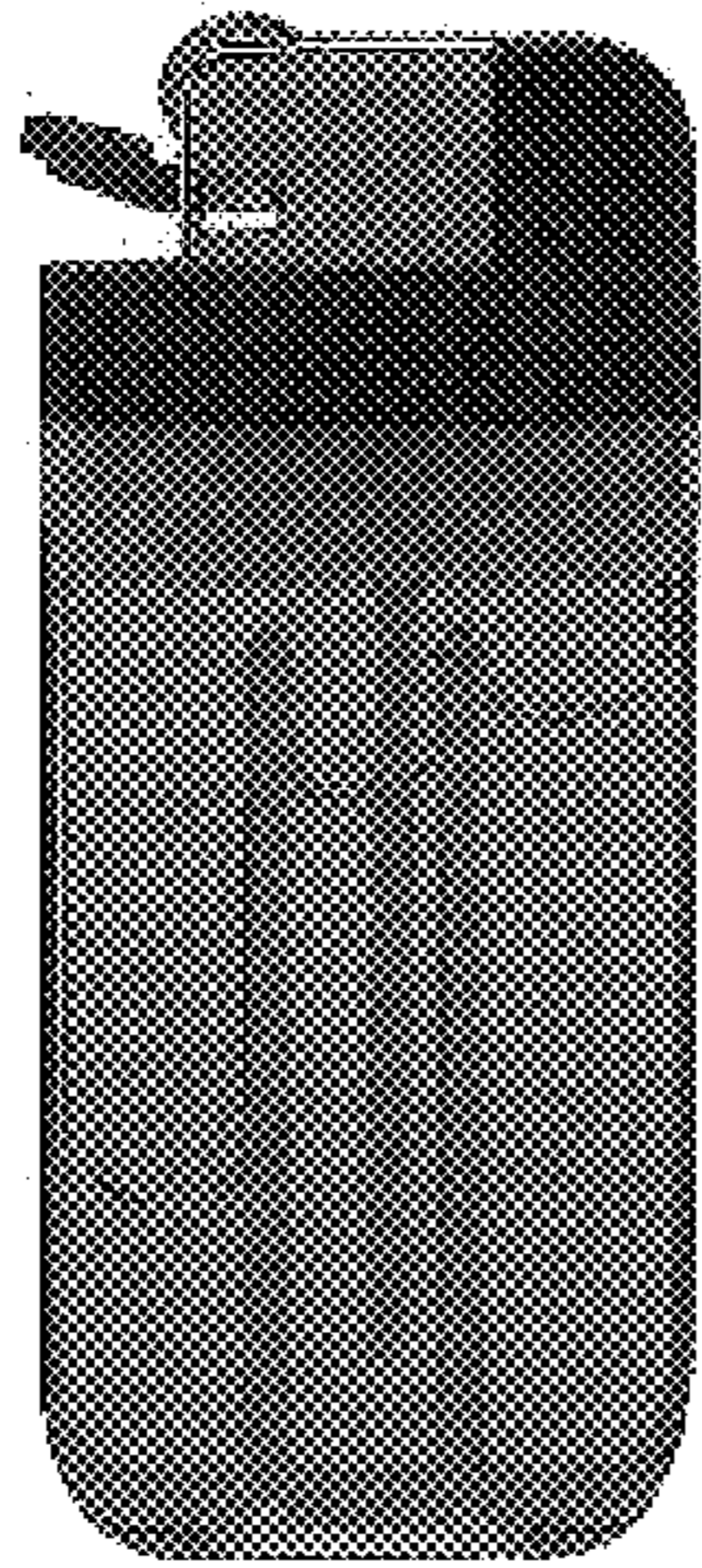


FIG.3

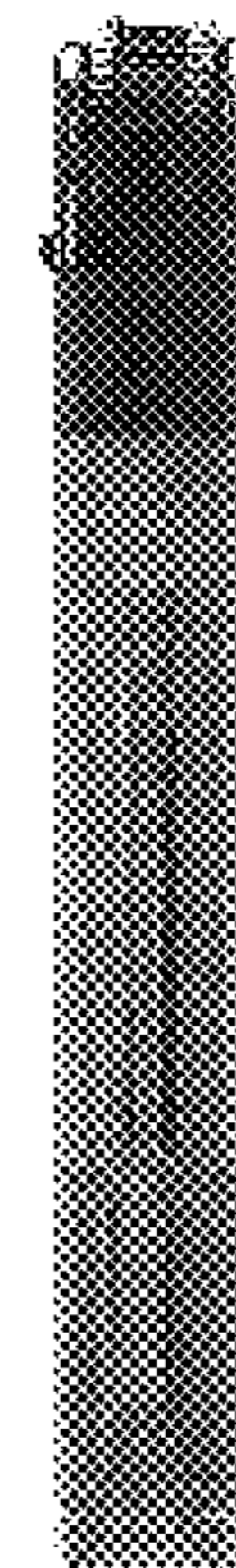


FIG.4

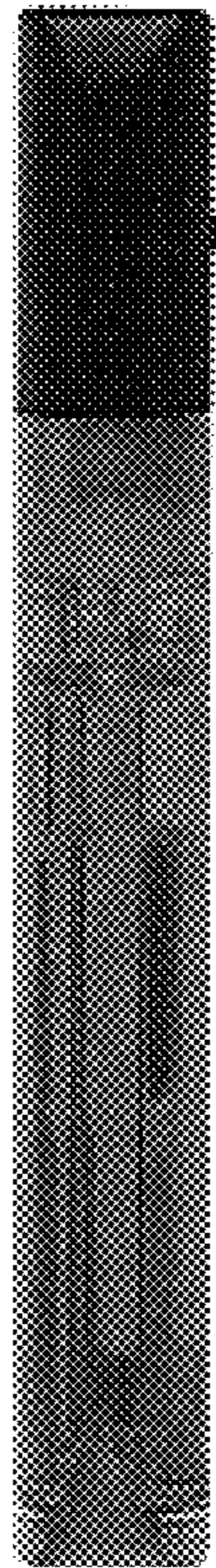


FIG. 5

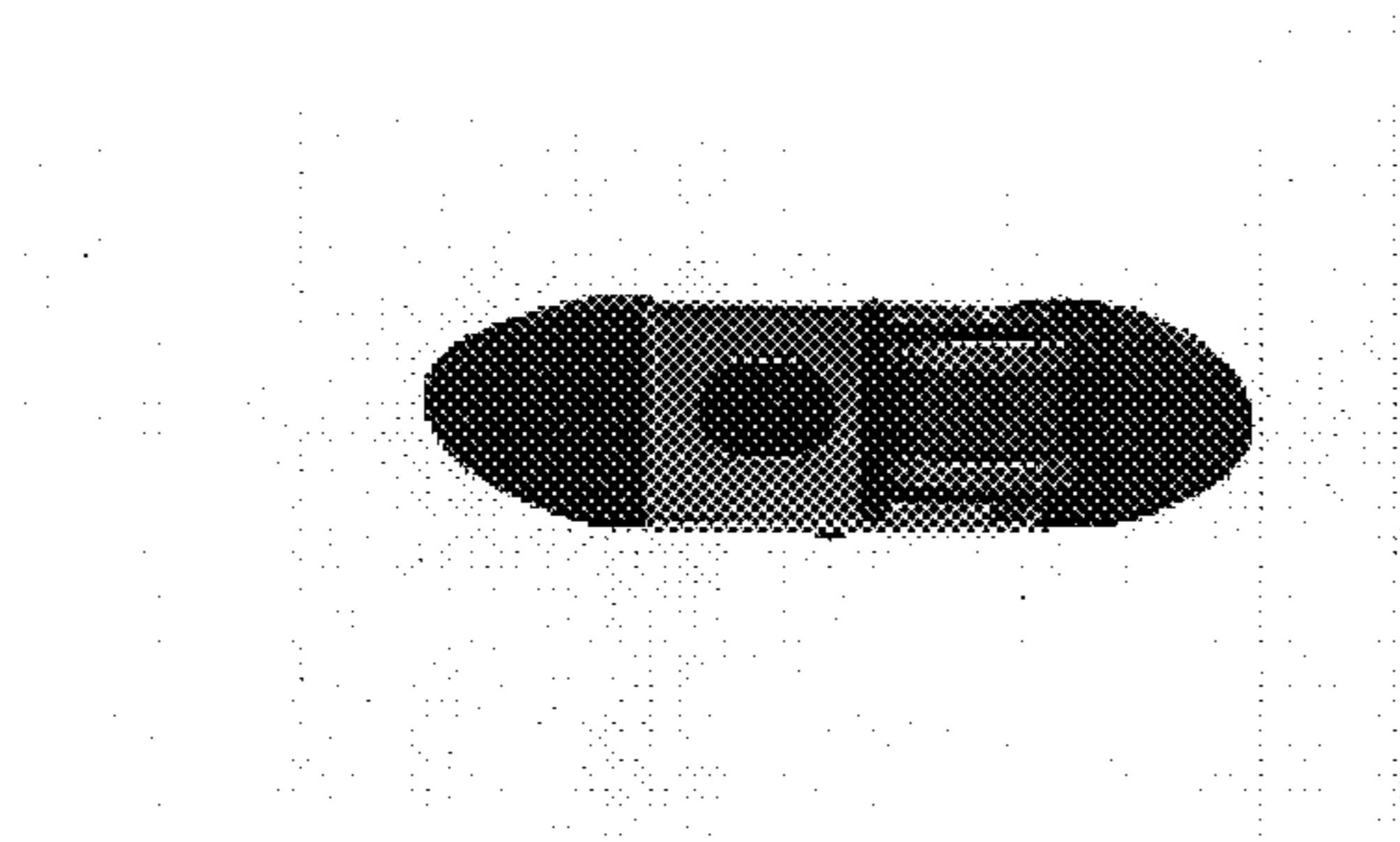


FIG. 6

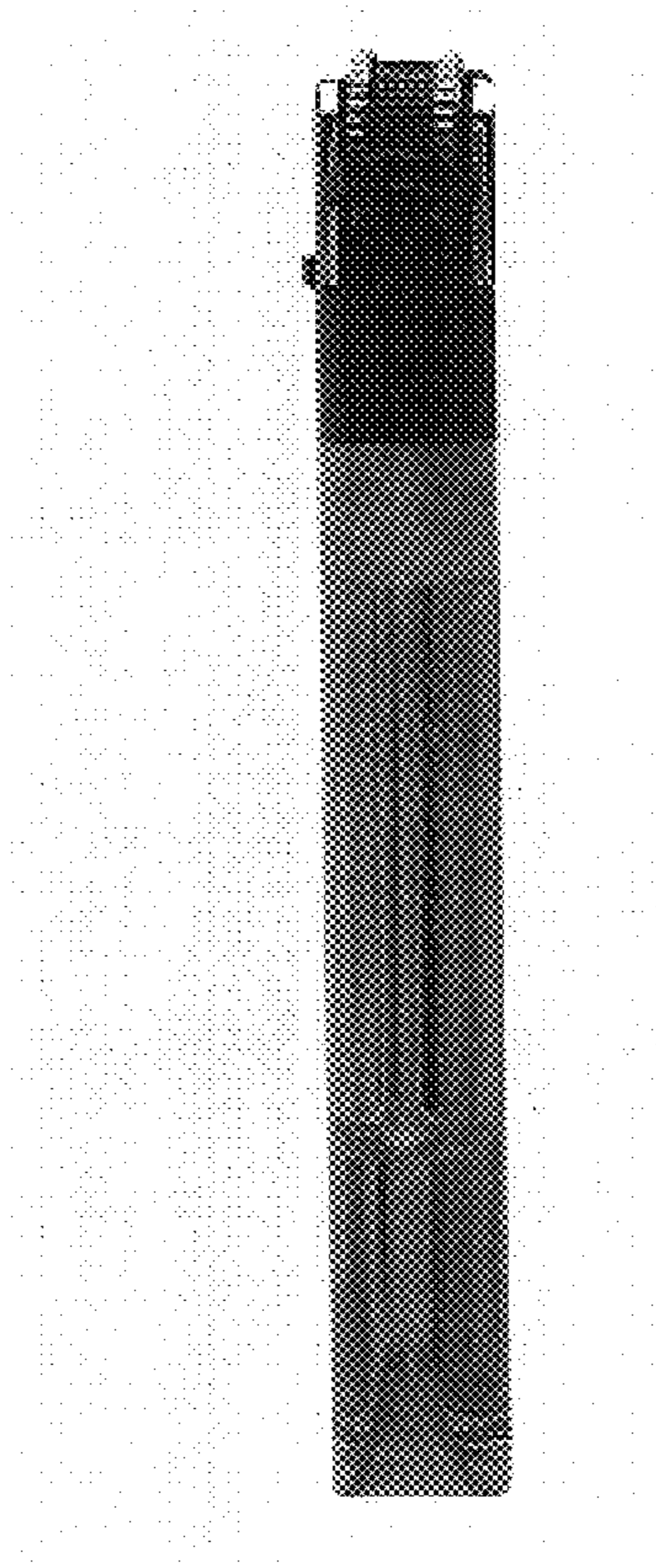


FIG. 7