



US00D493245S1

(12) **United States Design Patent** (10) **Patent No.:** **US D493,245 S**
Delson (45) **Date of Patent:** **** Jul. 20, 2004**

(54) **STRIP LIGHTING FIXTURE**

(76) Inventor: **Bob Delson**, 273 Woodsworth Road,
Willowdale, ON (CA), M2L 2T5

(**) Term: **14 Years**

(21) Appl. No.: **29/175,746**

(22) Filed: **Feb. 11, 2003**

(51) **LOC (7) Cl.** **26-03**

(52) **U.S. Cl.** **D26/78**

(58) **Field of Search** D26/24, 72, 75-78;
362/217-225, 147, 404, 151, 133

(56) **References Cited**

U.S. PATENT DOCUMENTS

D127,823 S	*	6/1941	Biller	D26/78
2,338,077 A	*	12/1943	Scribner	362/218
2,564,273 A	*	8/1951	Neuman	362/221
3,069,537 A	*	12/1962	Dayton et al.	362/222
4,622,624 A	*	11/1986	McCarthy et al.	362/217
D311,596 S	*	10/1990	Herst et al.	D26/76
4,980,808 A	*	12/1990	Lilos	362/219
5,025,355 A	*	6/1991	Harwood	362/147
6,220,721 B1	*	4/2001	Chan et al.	362/219
2003/0021115 A1	*	1/2003	Sloan et al.	362/147

* cited by examiner

Primary Examiner—Clare E. Heflin

(74) *Attorney, Agent, or Firm*—Gowling LaFleur
Henderson LLP; Peter Milne

(57) **CLAIM**

I claim the ornamental design for the strip lighting fixture,
as shown and described.

DESCRIPTION

FIG. 1. is a bottom perspective view of the strip lighting
fixture;

FIG. 2. is a top perspective view;

FIG. 3. is a bottom plan view of the strip lighting fixture;

FIG. 4. is a top plan view;

FIG. 5. is a side view of the strip lighting fixture;

FIG. 6. is an opposite side view;

FIG. 7. is an end elevation identifying the relationship
between FIGS. 3, 4, 5, and 6;

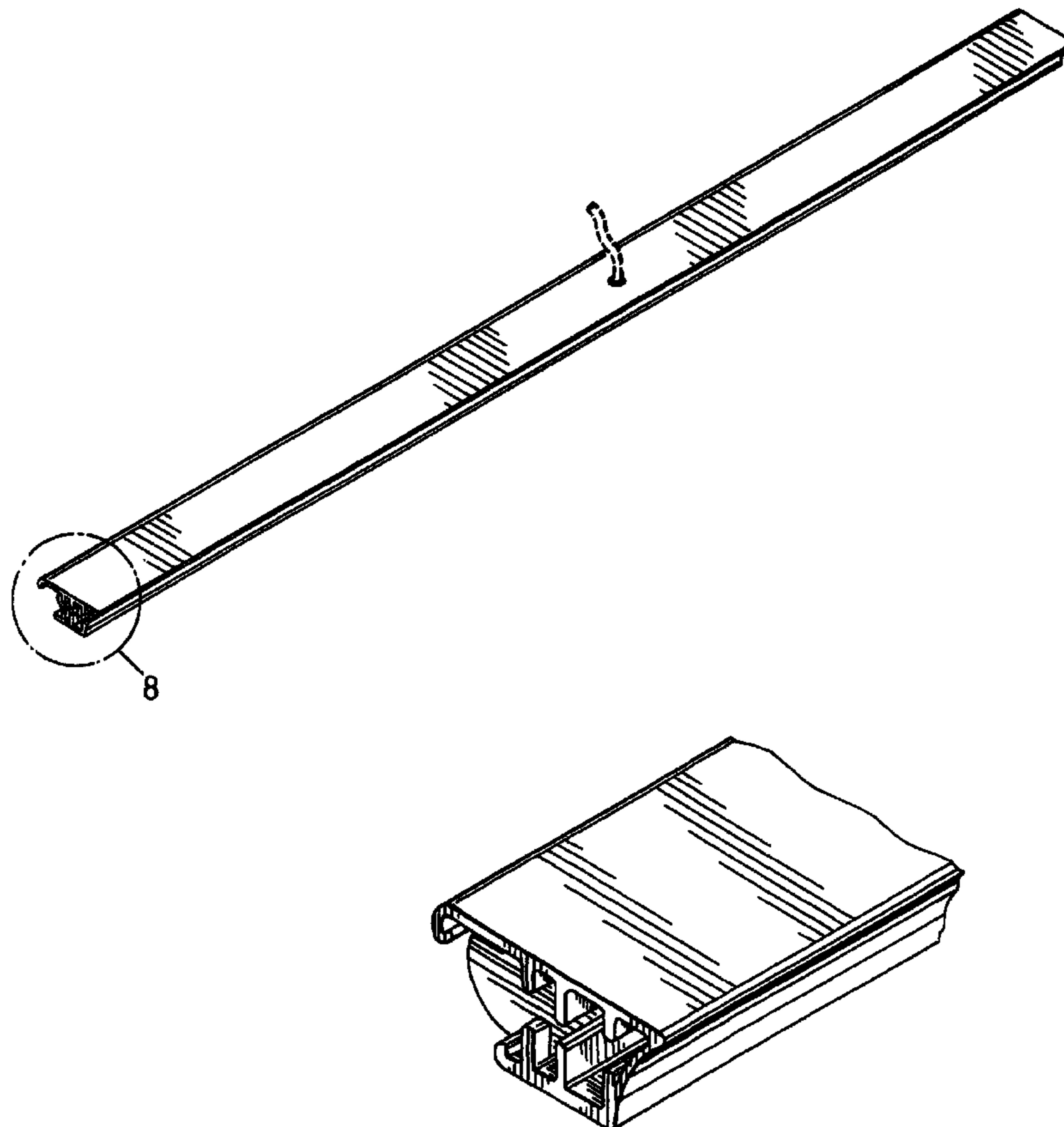
FIG. 8. is an end perspective view of the strip lighting
fixture;

FIG. 9. is an end elevation view of the strip lighting fixture
illustrating an attached bulb receptacle; and,

FIG. 10. is an end perspective view of a variant of the strip
lighting fixture depicted in FIGS. 1-9, including end caps,
illustrating an attached end cap.

The broken lines shown on the drawings are for illustrative
purposes only and form no part of the claimed design.

1 Claim, 5 Drawing Sheets



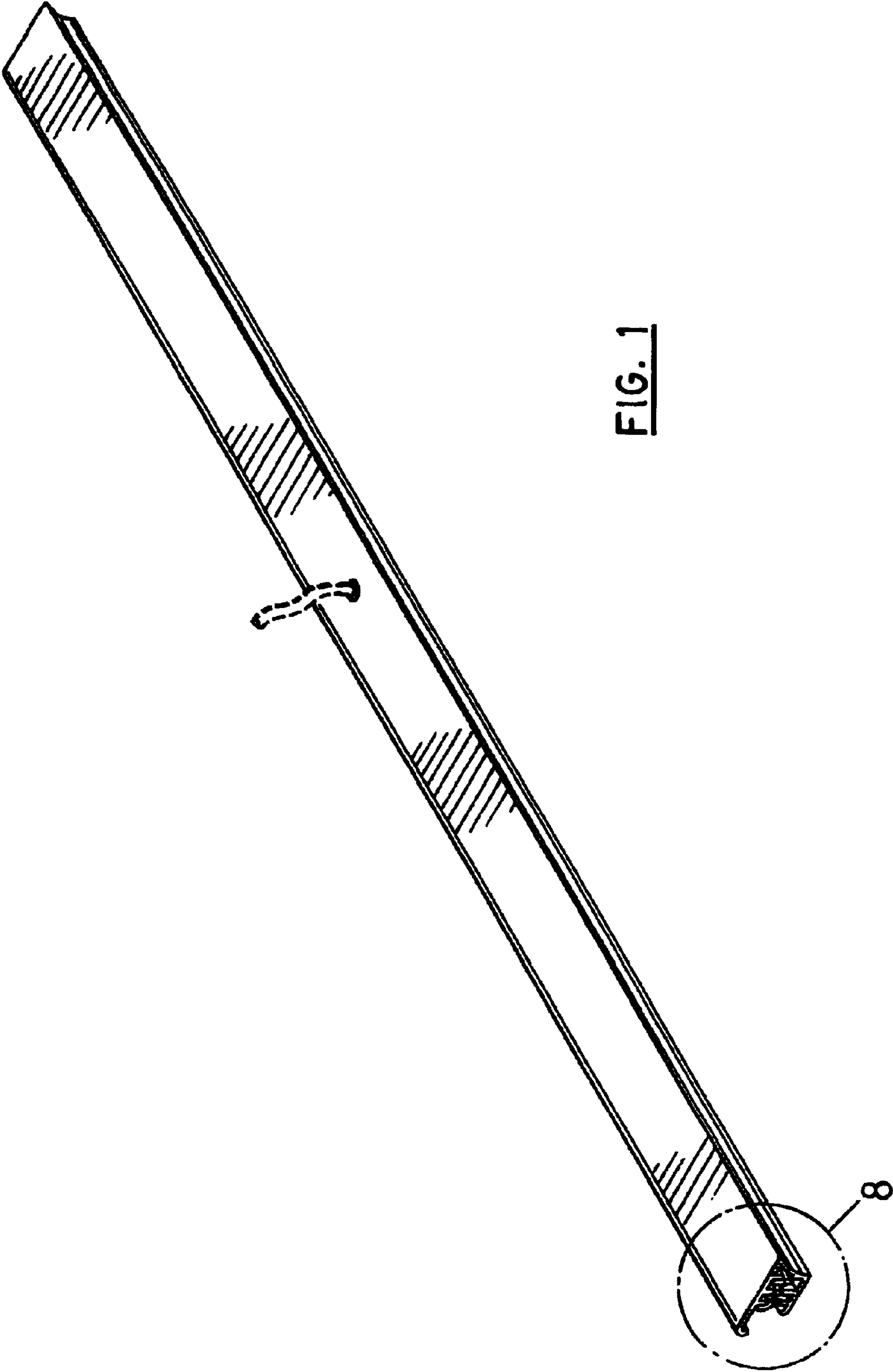


FIG. 1

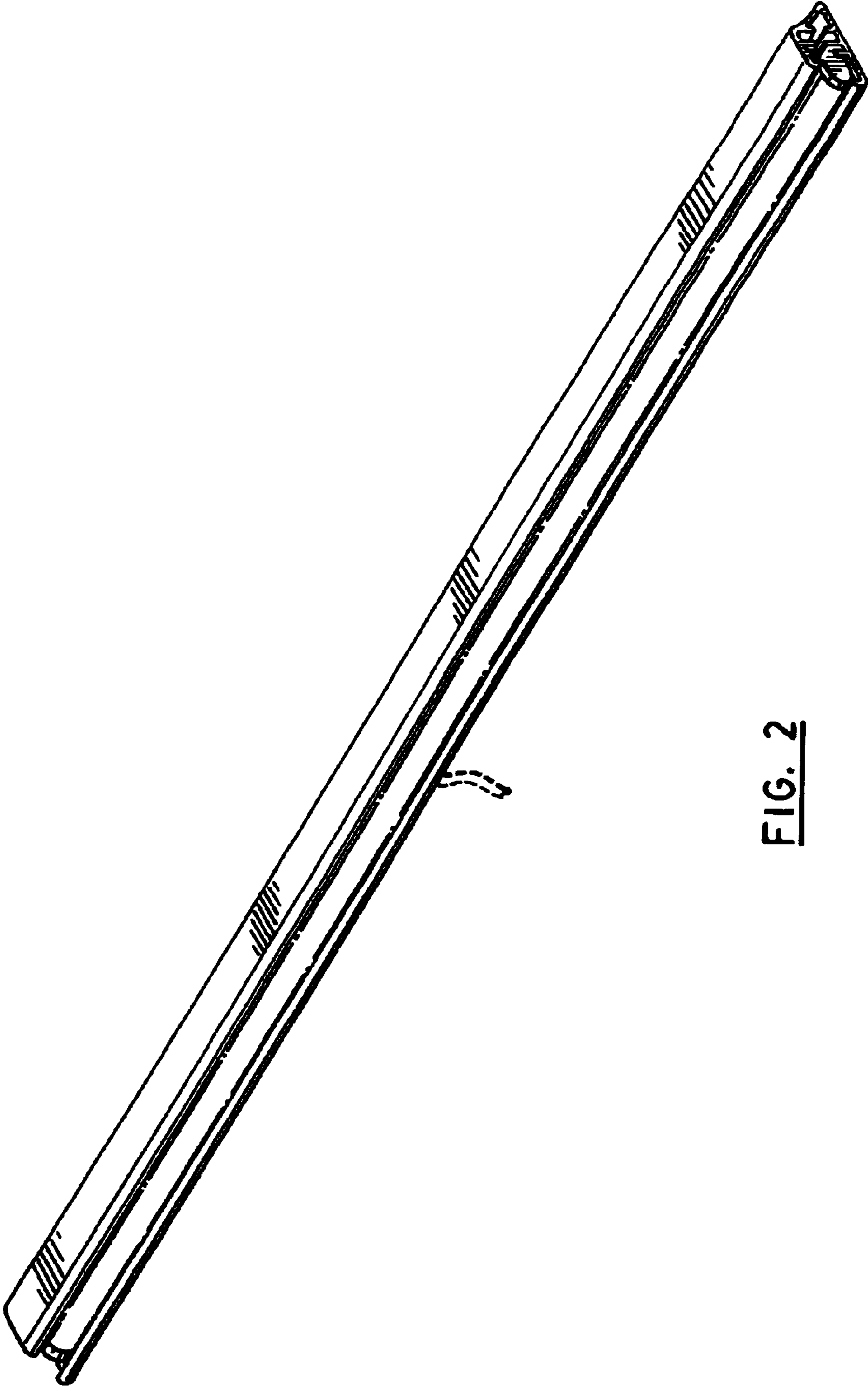


FIG. 2

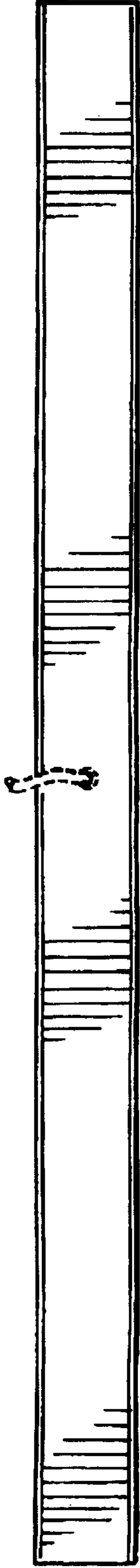


FIG. 3

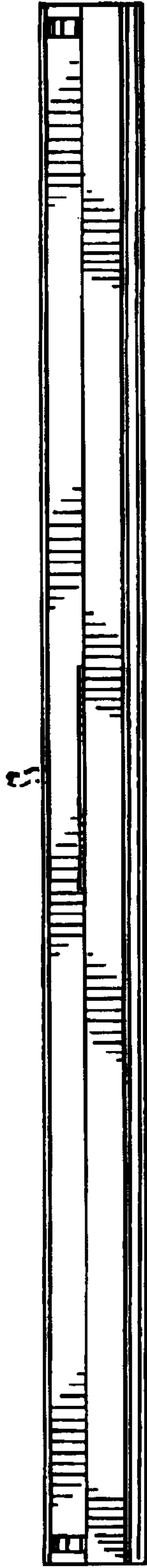


FIG. 4



FIG. 5



FIG. 6

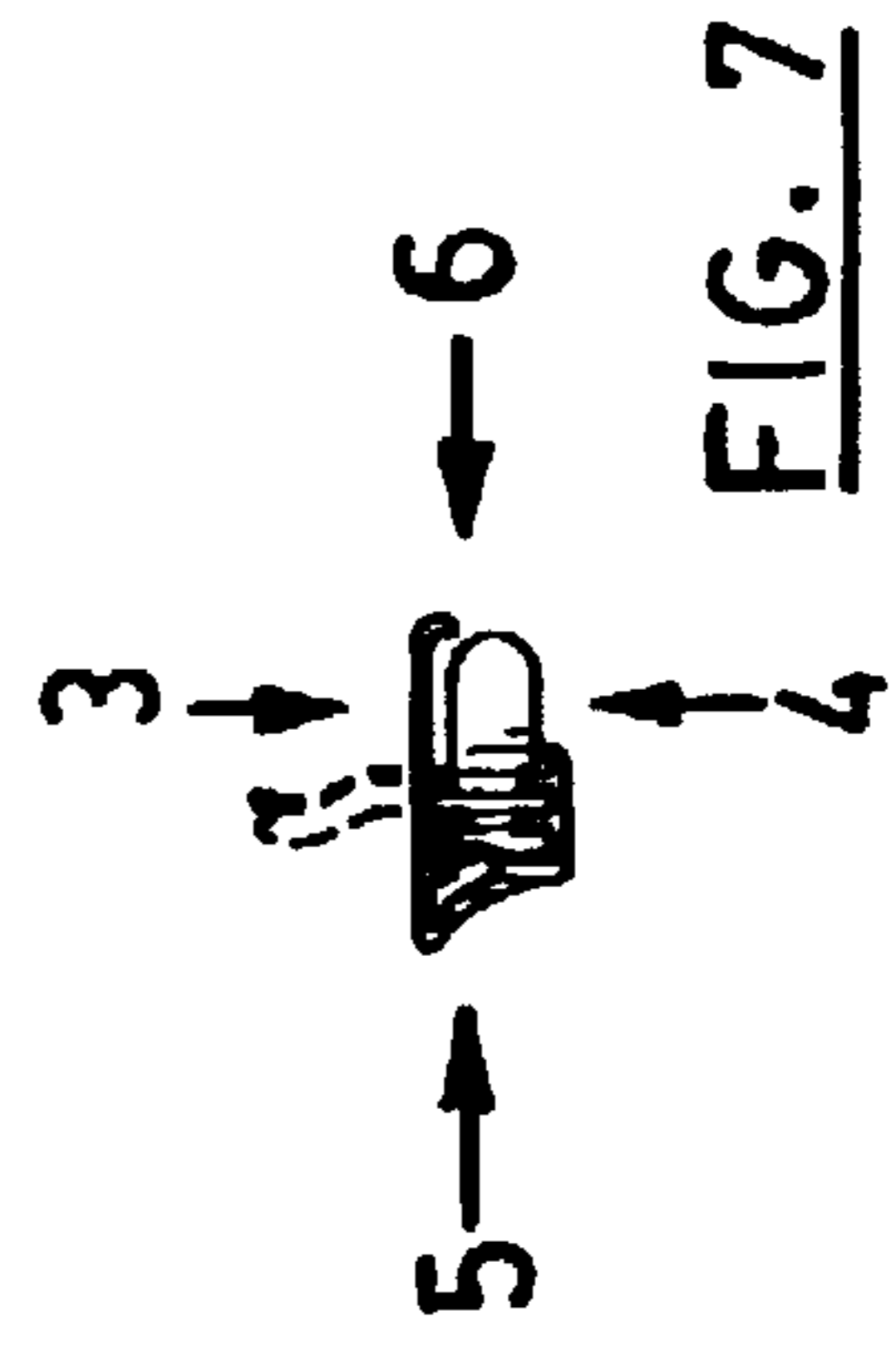


FIG. 7

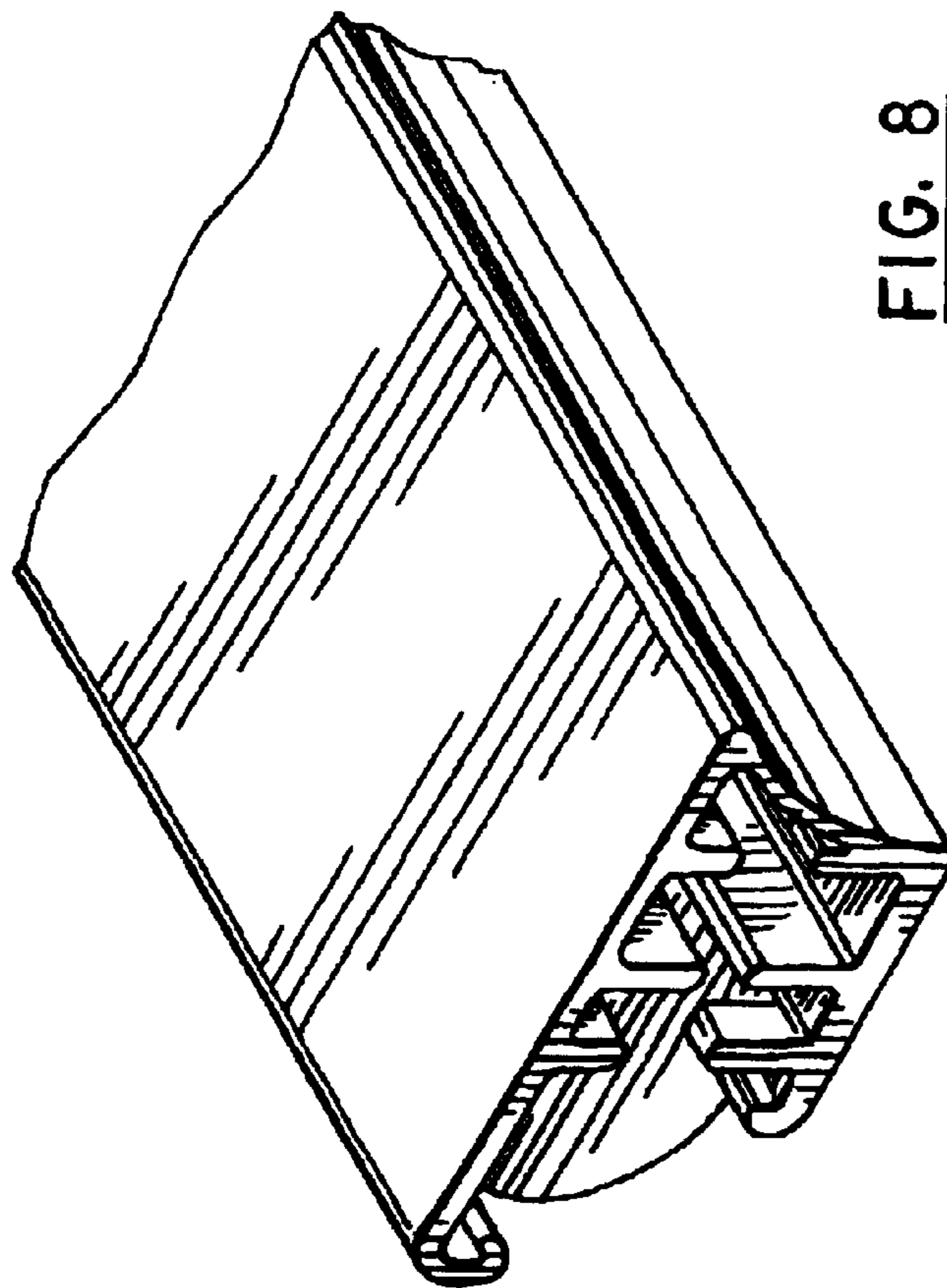


FIG. 8

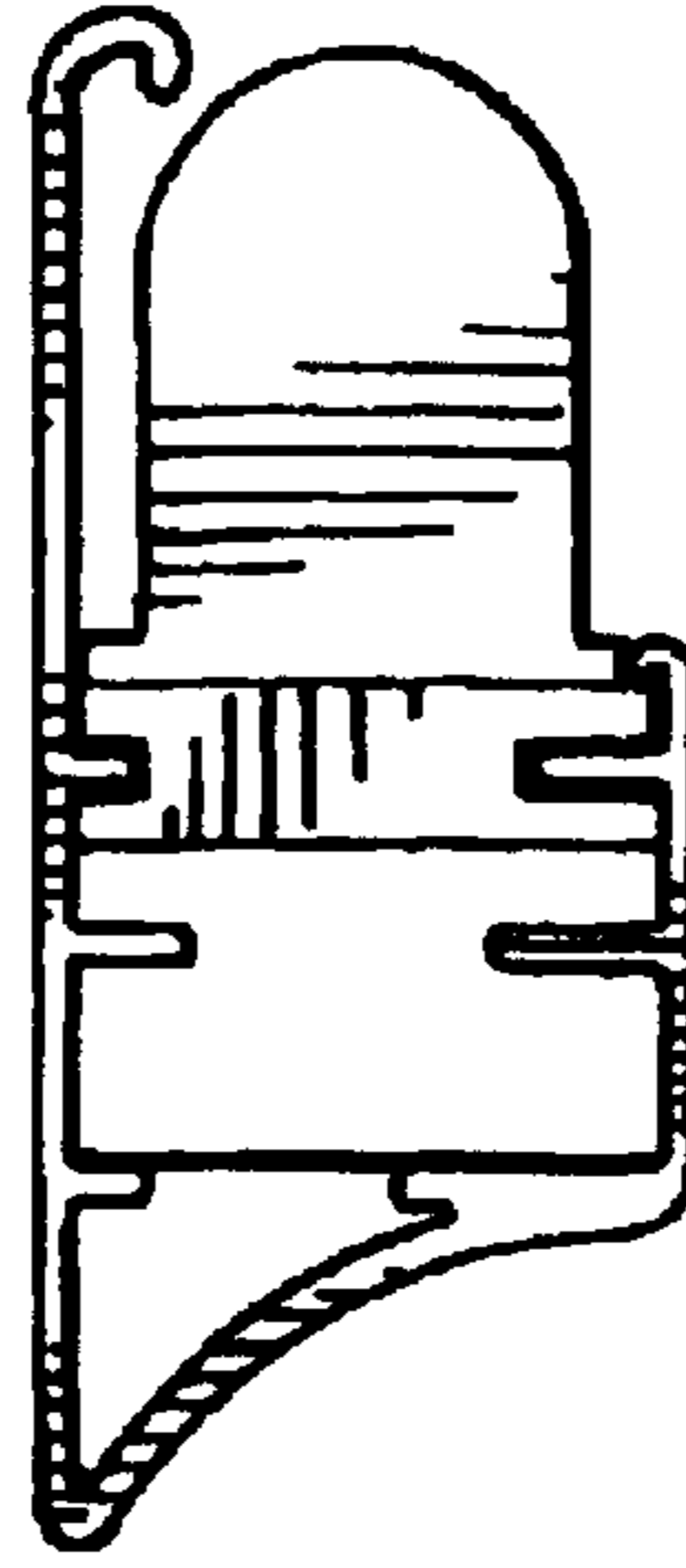


FIG. 9

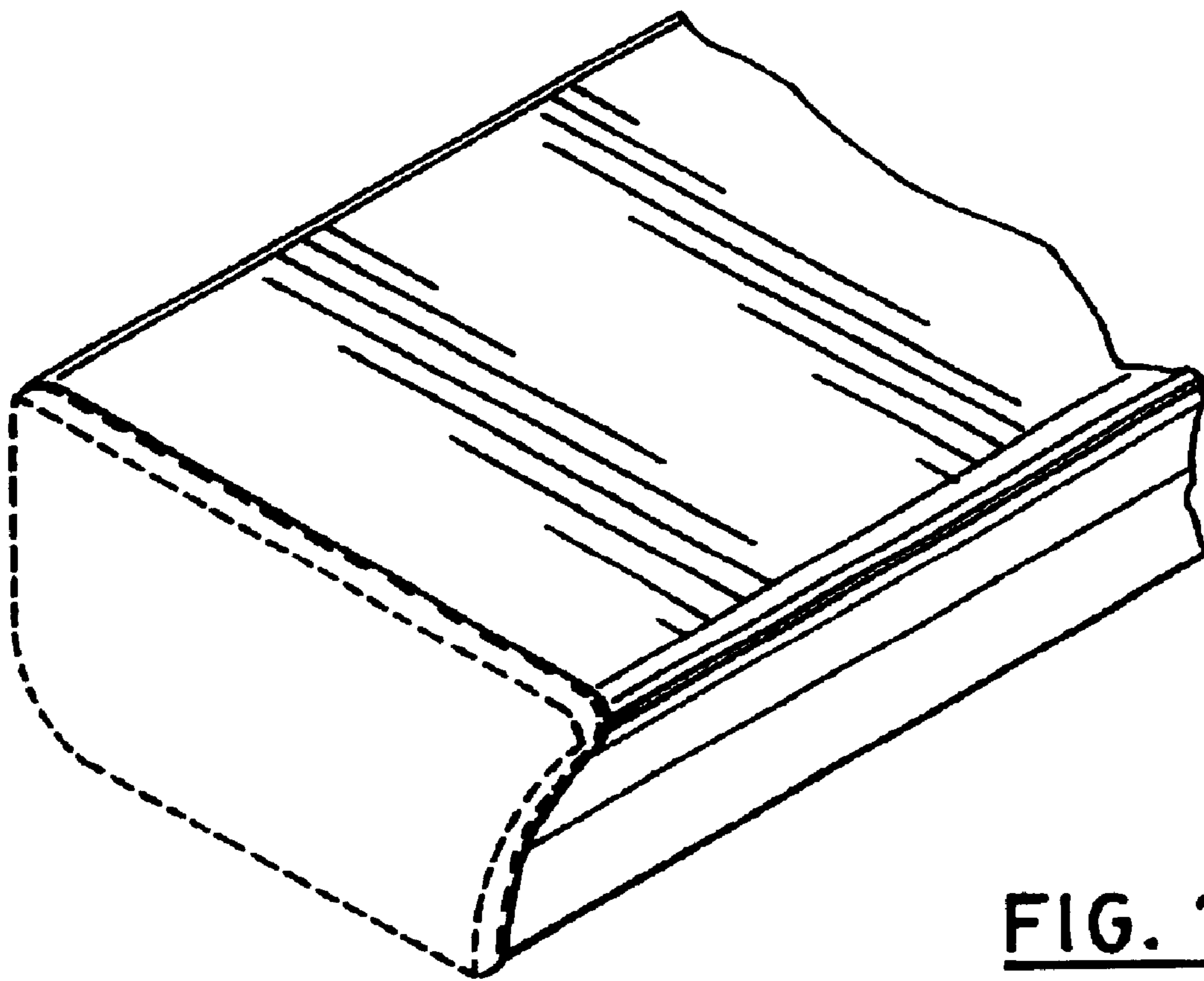


FIG. 10