

US00D493244S1

(12) **United States Design Patent**
Engel

(10) **Patent No.:** **US D493,244 S**

(45) **Date of Patent:** **** Jul. 20, 2004**

(54) **LIGHTING UNIT**

(76) **Inventor:** **Hartmut S. Engel**, Monrepos-strasse 7,
D-71634 Ludwigsburg (DE)

(**) **Term:** **14 Years**

(21) **Appl. No.:** **29/146,845**

(22) **Filed:** **Aug. 20, 2001**

(51) **LOC (7) Cl.** **26-05**

(52) **U.S. Cl.** **D26/76**

(58) **Field of Search** D26/63, 72, 75-78,
D26/84, 90; 362/217-220, 247, 432, 147

(56) **References Cited**

U.S. PATENT DOCUMENTS

D121,590 S	*	7/1940	Heath	D26/76
D123,757 S	*	12/1940	Dreyfuss	D26/76
D128,961 S	*	8/1941	Hrabak	D26/77
D194,063 S	*	11/1962	Whitley	D26/76
D292,322 S	*	10/1987	Krol	D26/75
D330,268 S	*	10/1992	Jaksich	D26/74

OTHER PUBLICATIONS

Architectural Record, Aug. 1963, p. 66, "Troffer" fixture in center right of page. □□"Fluorescent Lamp Catalogs".*

Miller Lighting Catalog 1964/1965, p. 10, "Permilux Dropped Dish Diffuser" in lower of photo. "Fluorescent Lamp Catalogs".*

* cited by examiner

Primary Examiner—Clare Heflin

(74) *Attorney, Agent, or Firm*—Townsend and Townsend and Crew LLP

(57) **CLAIM**

The ornamental design for a lighting unit, as shown and described.

DESCRIPTION

FIG. 1 is a front, perspective underneath view showing my new design;

FIG. 2 is a rear, perspective underneath view thereof;

FIG. 3 is a perspective, side elevational view thereof;

FIG. 4 is a perspective, front elevational top view thereof;

FIG. 5 is a front elevational view thereof;

FIG. 6 is an inverted, rear elevational top view thereof;

FIG. 7 is a perspective, front elevational view thereof, taken from above and the right;

FIG. 8 is a perspective, front elevational view thereof, taken from above and the left;

FIG. 9 is an underneath perspective side elevational view thereof;

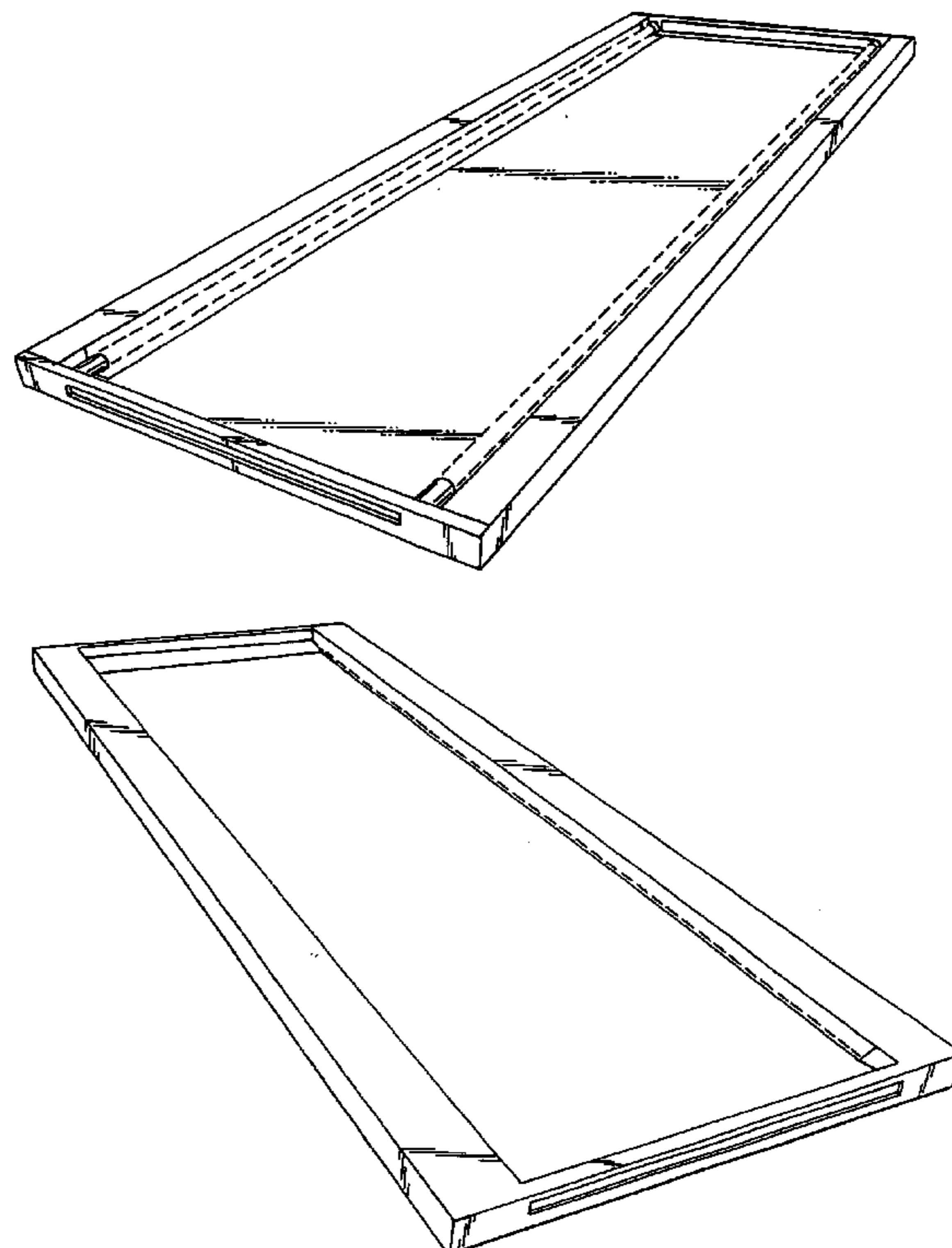
FIG. 10 is a top perspective side elevational view thereof;

FIG. 11 is a plan view thereof; and,

FIG. 12 is an underneath view thereof.

The broken lines shown on the drawings are for illustrative purposes only and form no part of the claimed design.

1 Claim, 4 Drawing Sheets



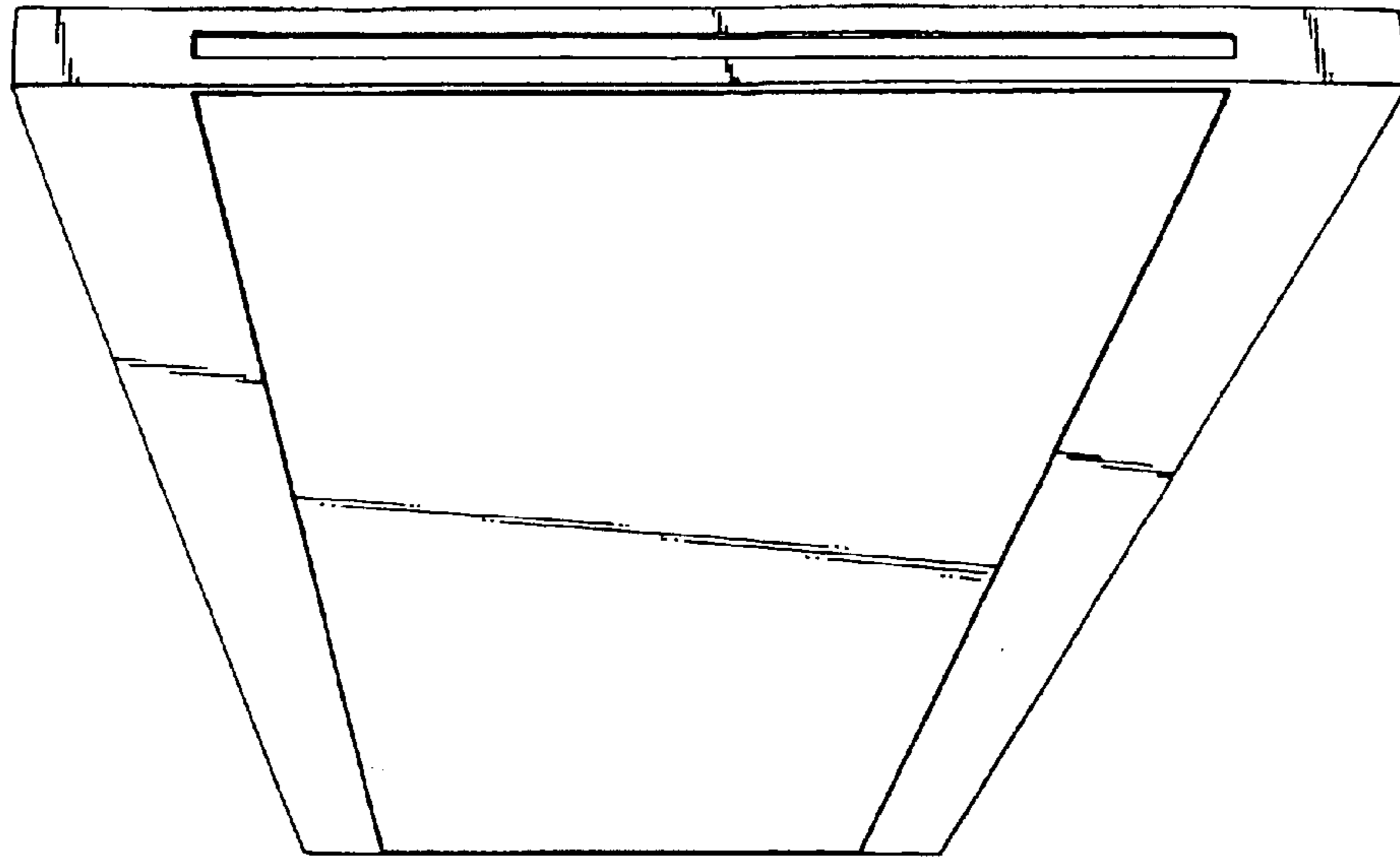


FIG. 1

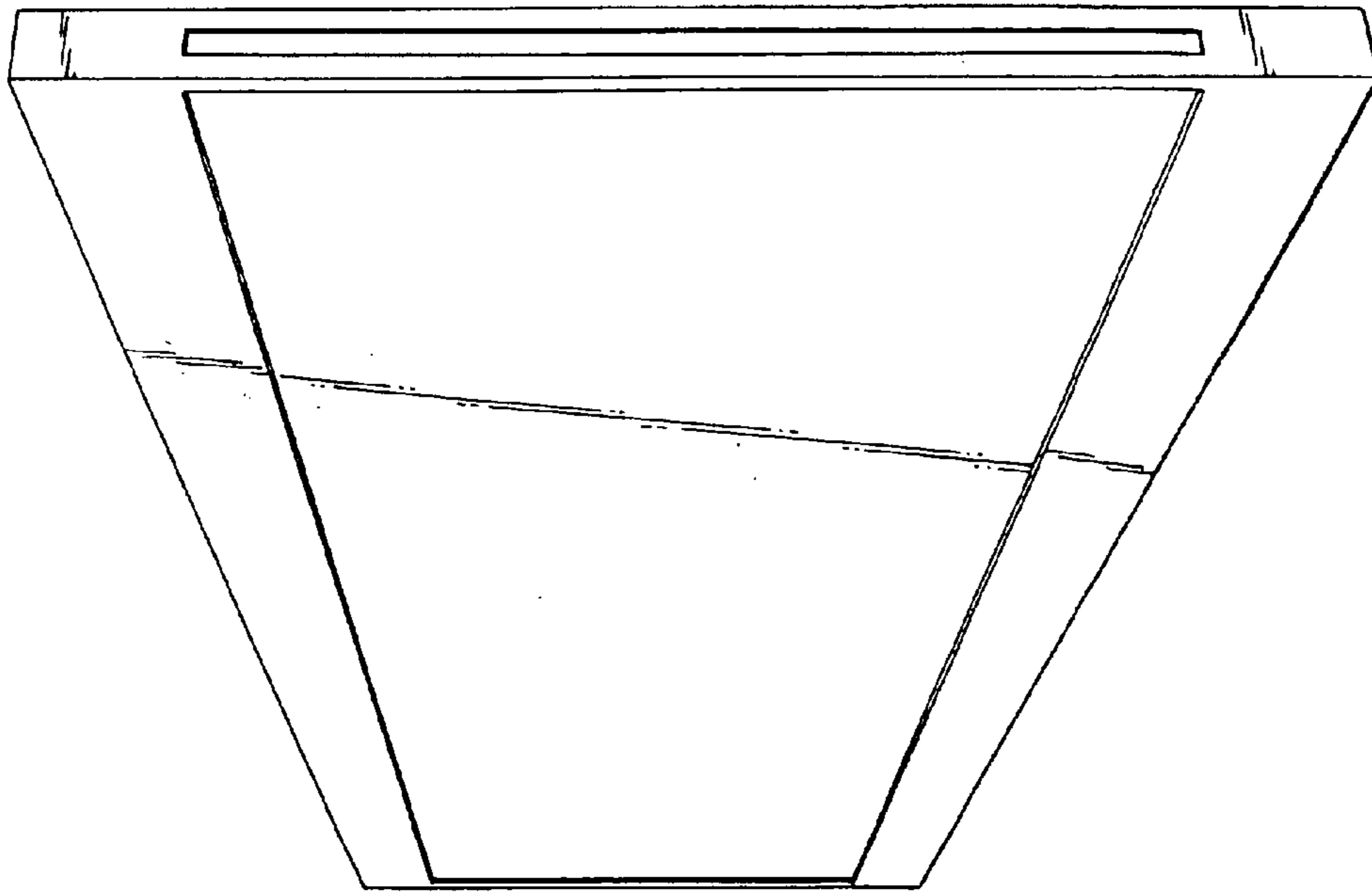


FIG. 2

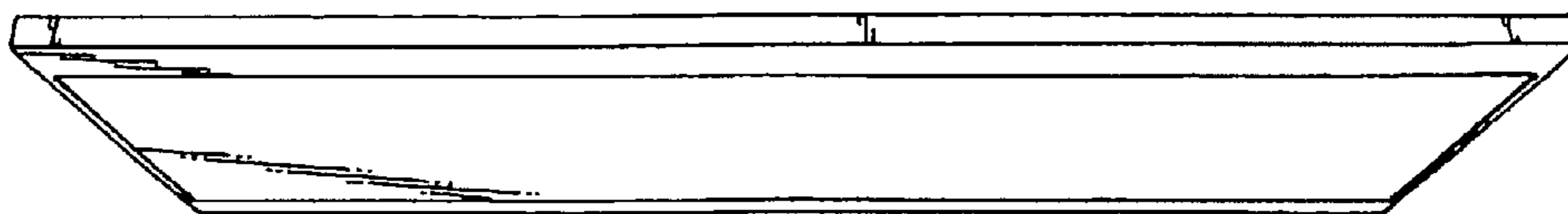


FIG. 3

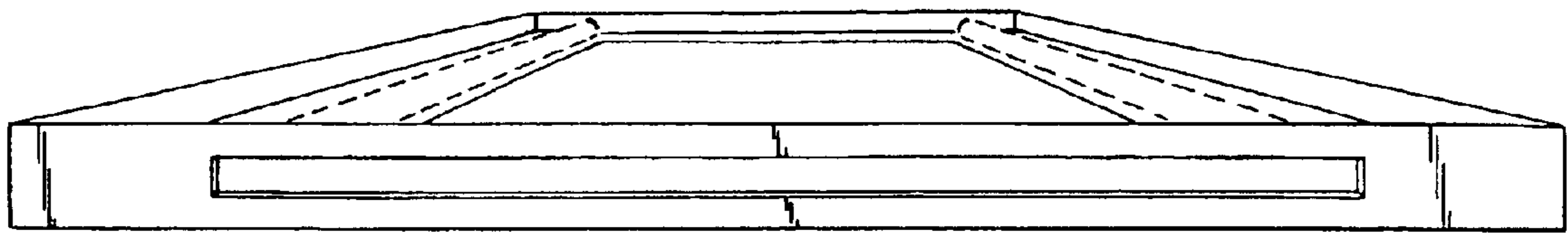


FIG. 4

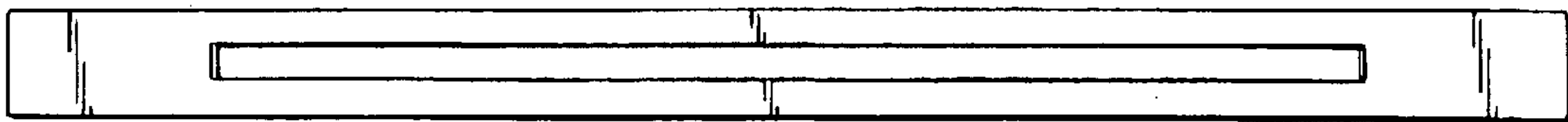


FIG. 5

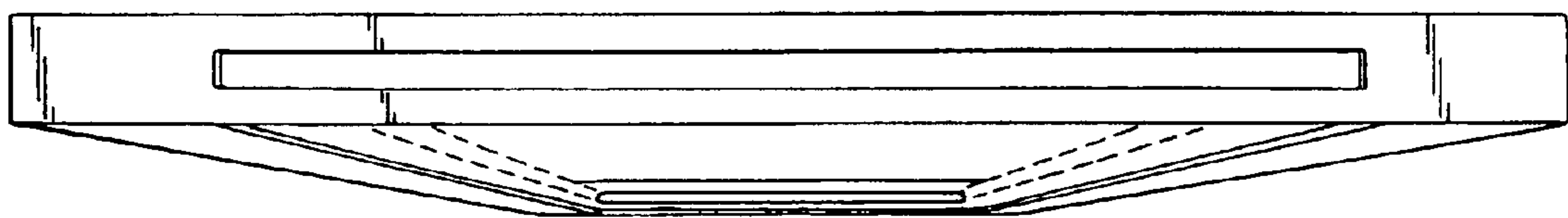


FIG. 6

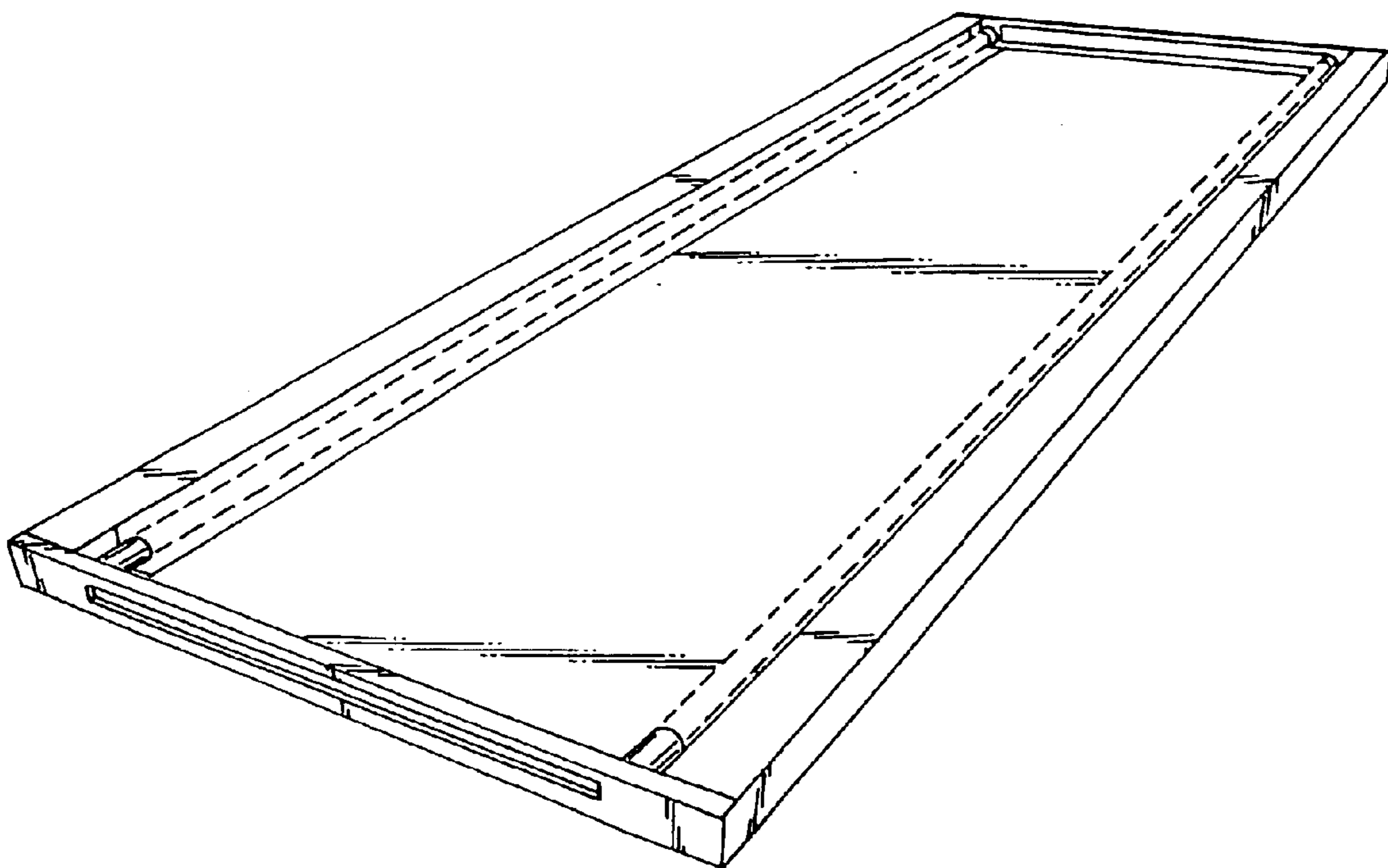


FIG. 7

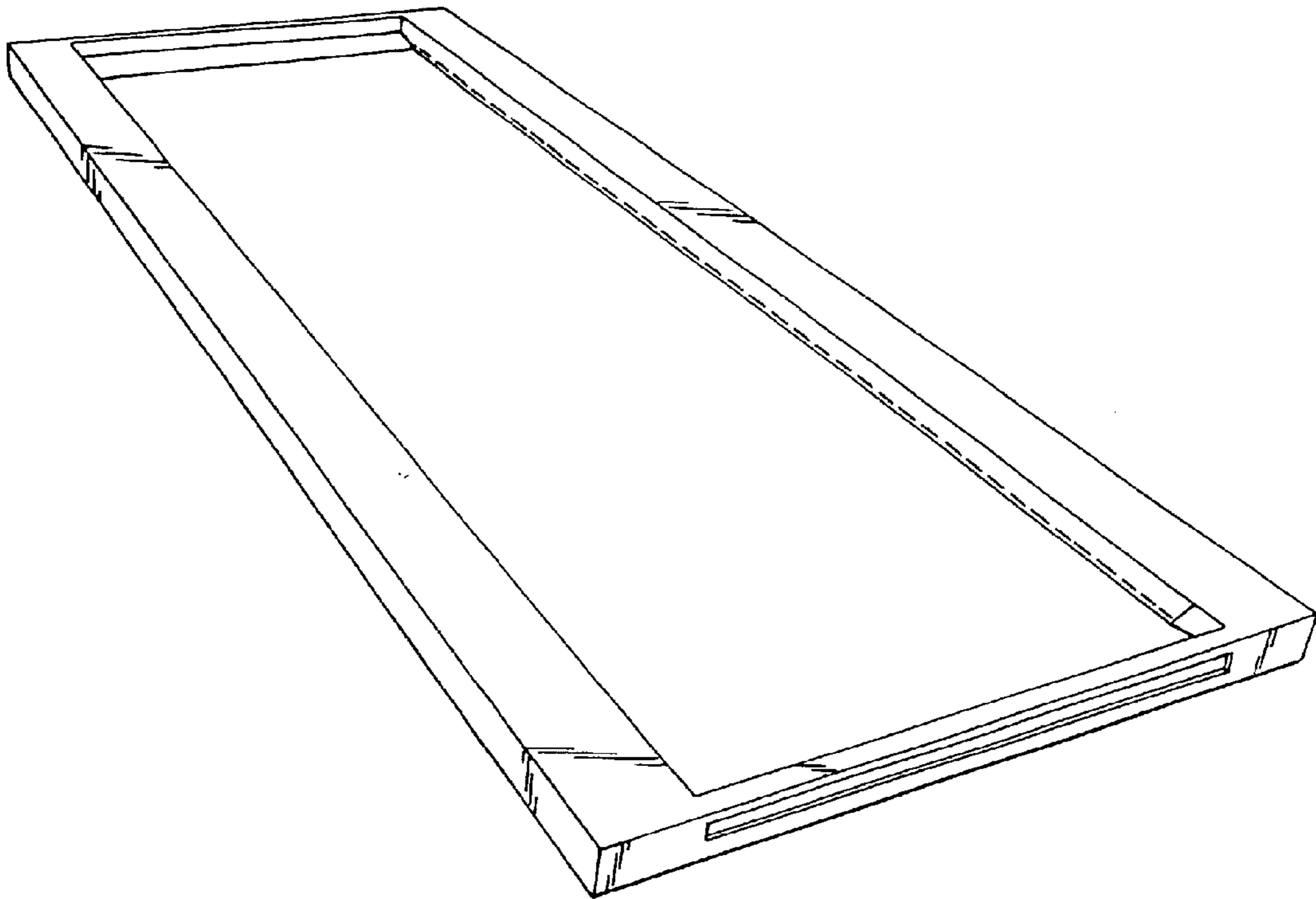


FIG. 8

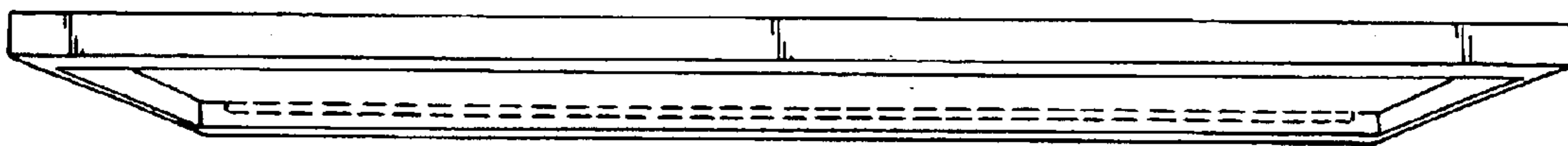


FIG. 9

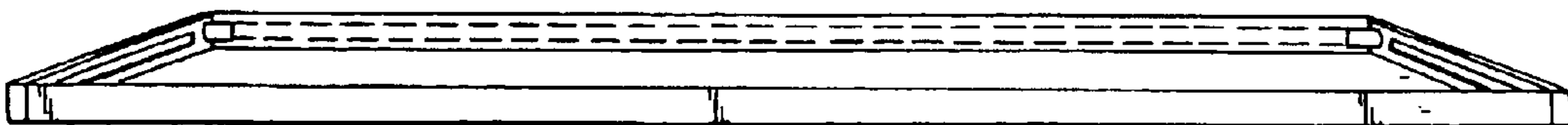


FIG. 10

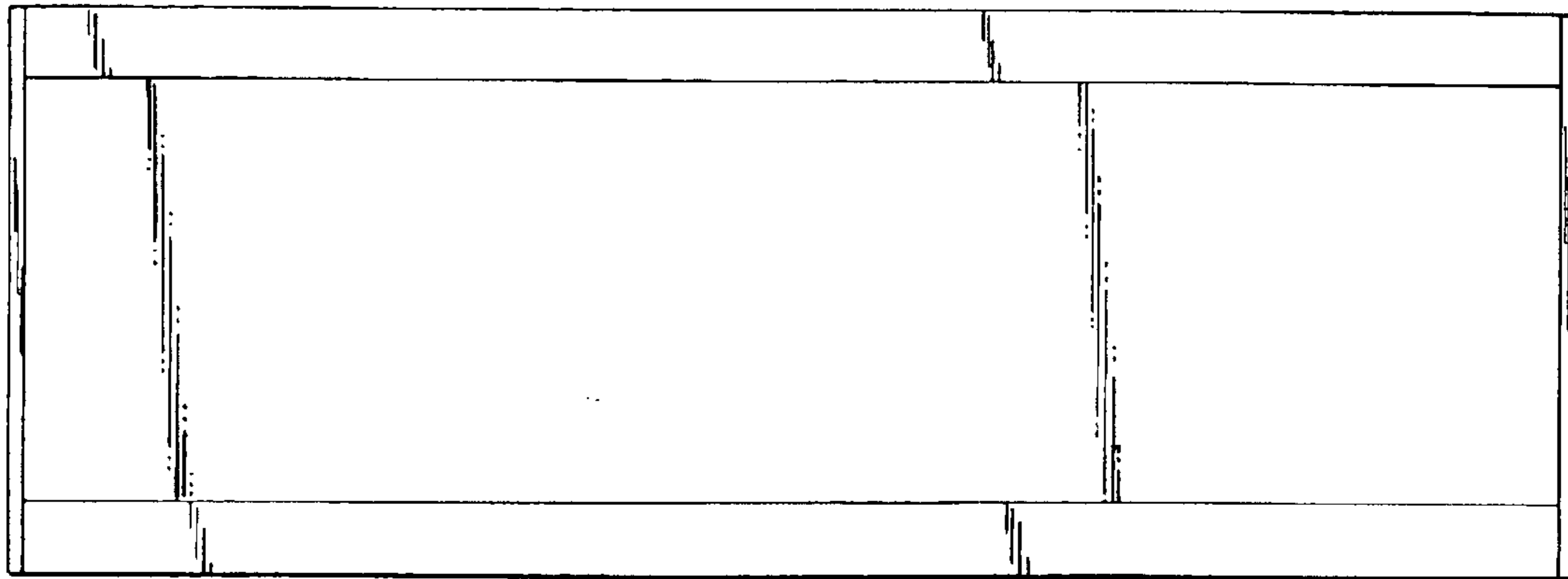


FIG. 11

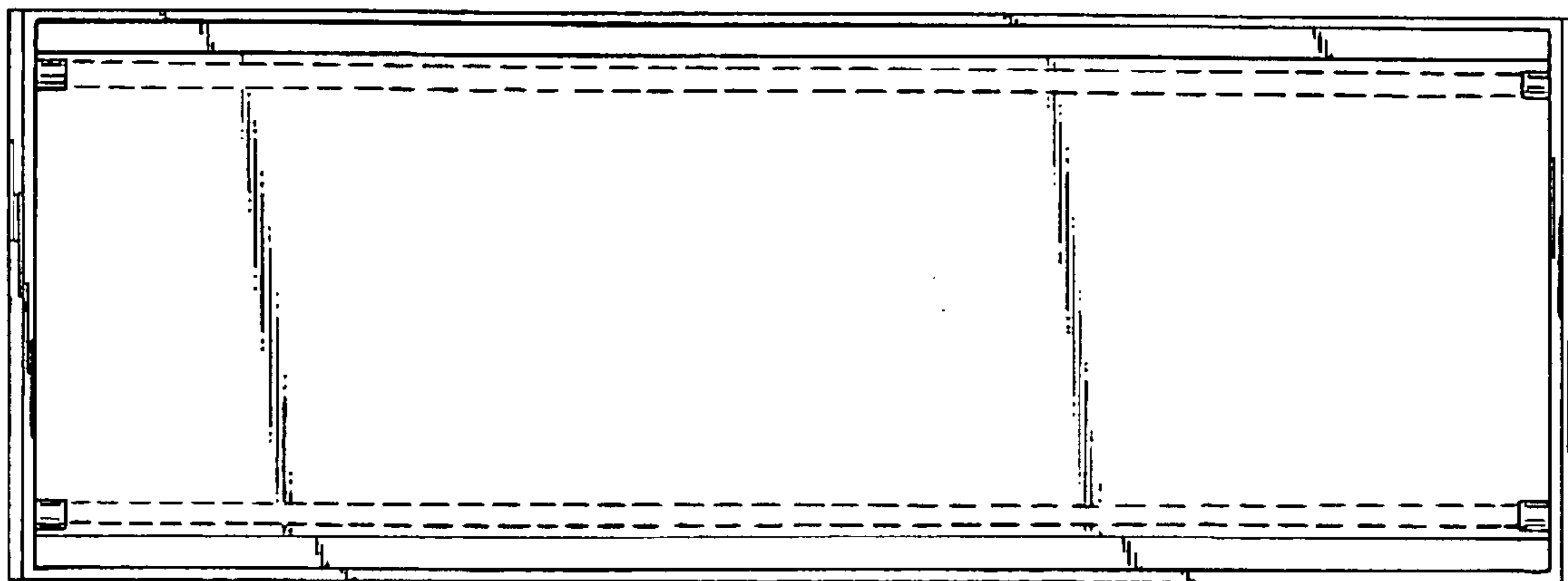


FIG. 12