



US00D493237S1

(12) **United States Design Patent**
Cole

(10) **Patent No.:** **US D493,237 S**

(45) **Date of Patent:** **** Jul. 20, 2004**

(54) **WINDOW COMPONENT EXTRUSION**

(75) **Inventor:** **Douglas L. Cole**, Seattle, WA (US)

(73) **Assignee:** **Mikron Industries, Inc.**, Kent, WA (US)

(**) **Term:** **14 Years**

(21) **Appl. No.:** **29/189,093**

(22) **Filed:** **Aug. 27, 2003**

(51) **LOC (7) Cl.** **25-01**

(52) **U.S. Cl.** **D25/125**

(58) **Field of Search** D25/124, 125,
D25/60, 52; 52/204.1, 204.51, 230.3, 205.1,
202, 730.5, 731, 738, 732; 49/DIG. 2, 504,
505, 407, 408

(56) **References Cited**

U.S. PATENT DOCUMENTS

D287,057 S * 12/1986 Bancroft D25/125

* cited by examiner

Primary Examiner—Doris Clark

(74) *Attorney, Agent, or Firm*—Michael J. Folise, Esq.

(57) **CLAIM**

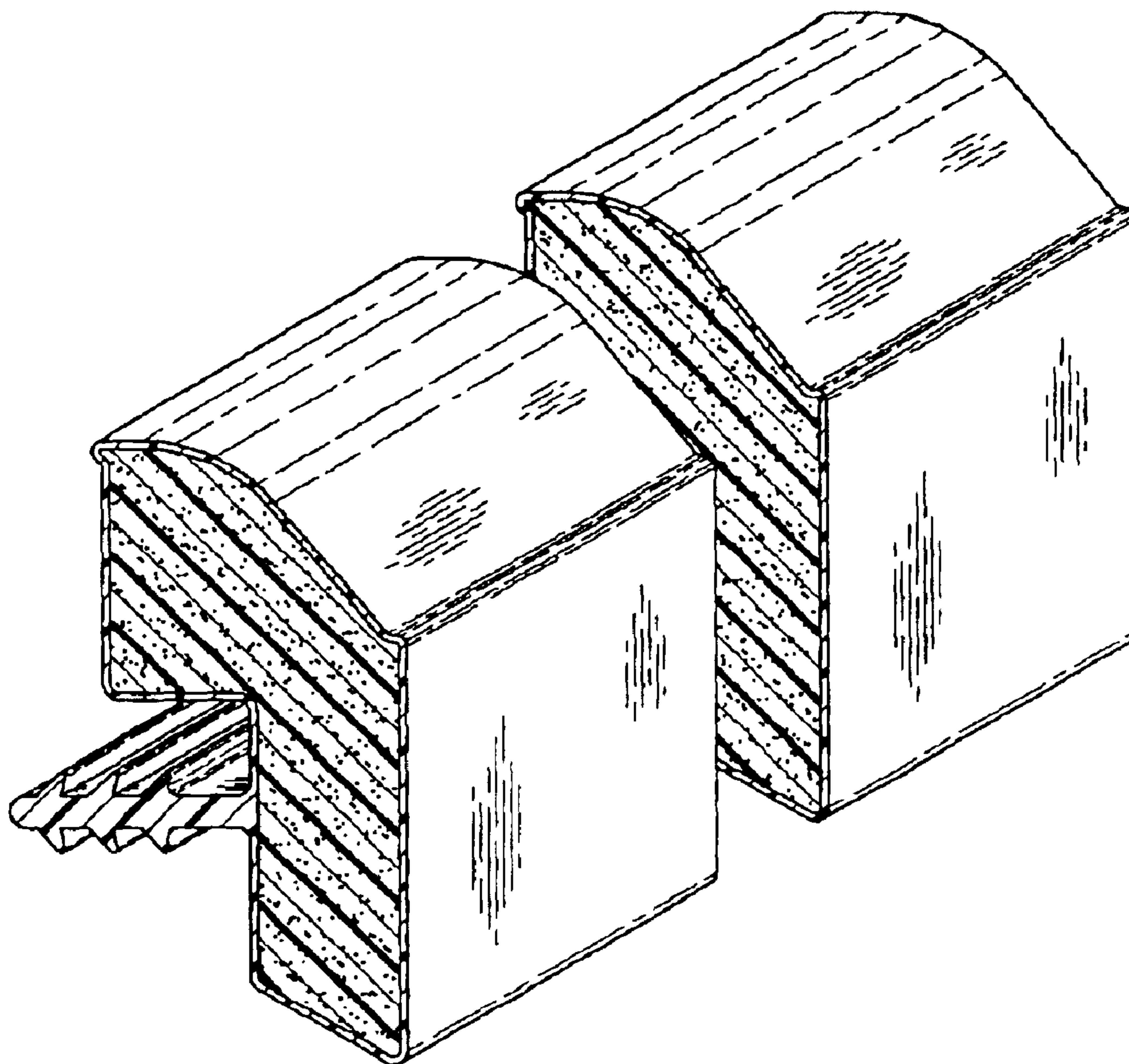
The ornamental design for a window component extrusion, as shown and described.

DESCRIPTION

FIG. 1 is a top right perspective view of a window component extrusion which is broken in the center indicating indefinite length; and,

FIG. 2 is a bottom left perspective view of the window component extrusion shown in FIG. 1.

1 Claim, 1 Drawing Sheet



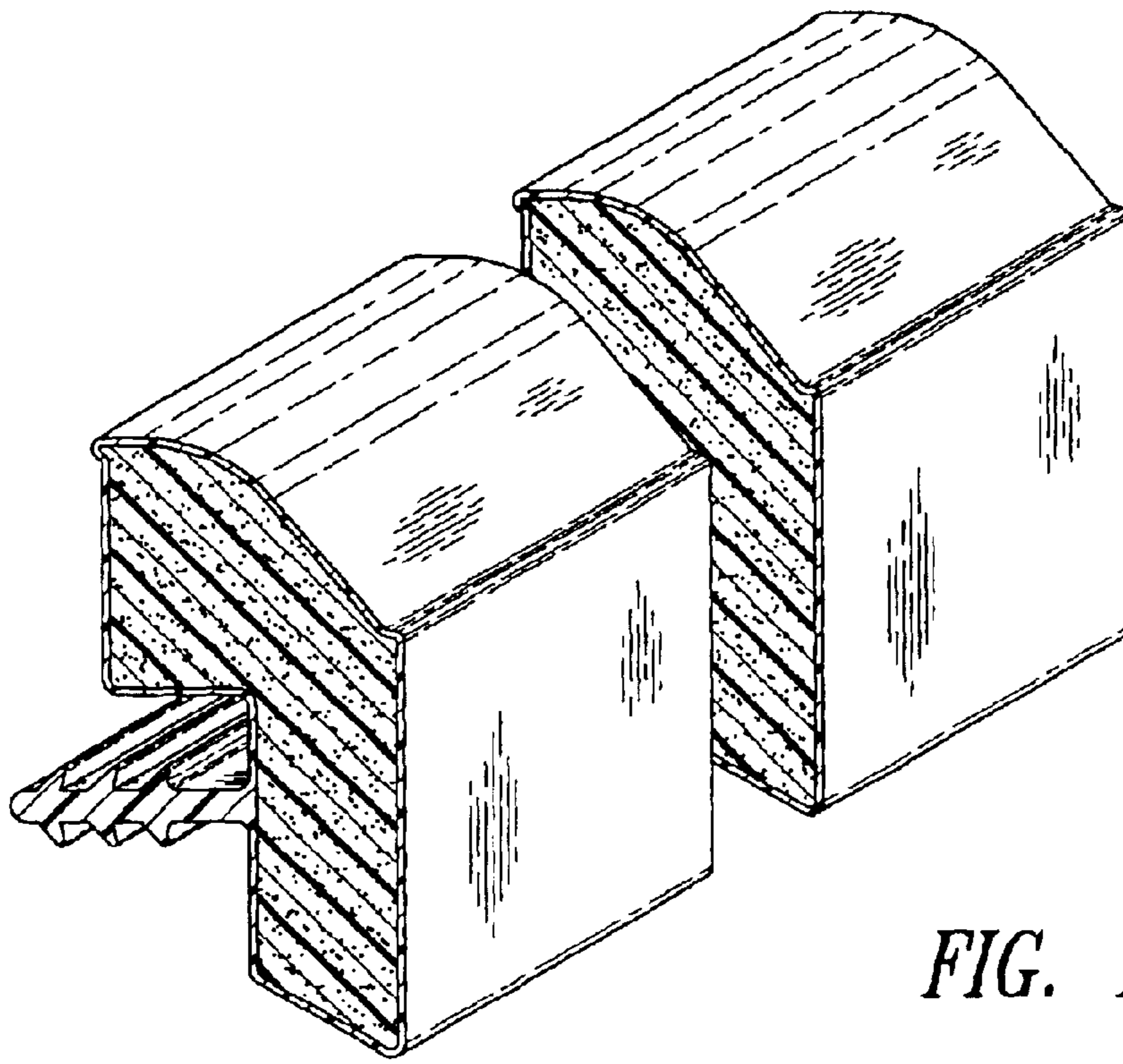


FIG. 1

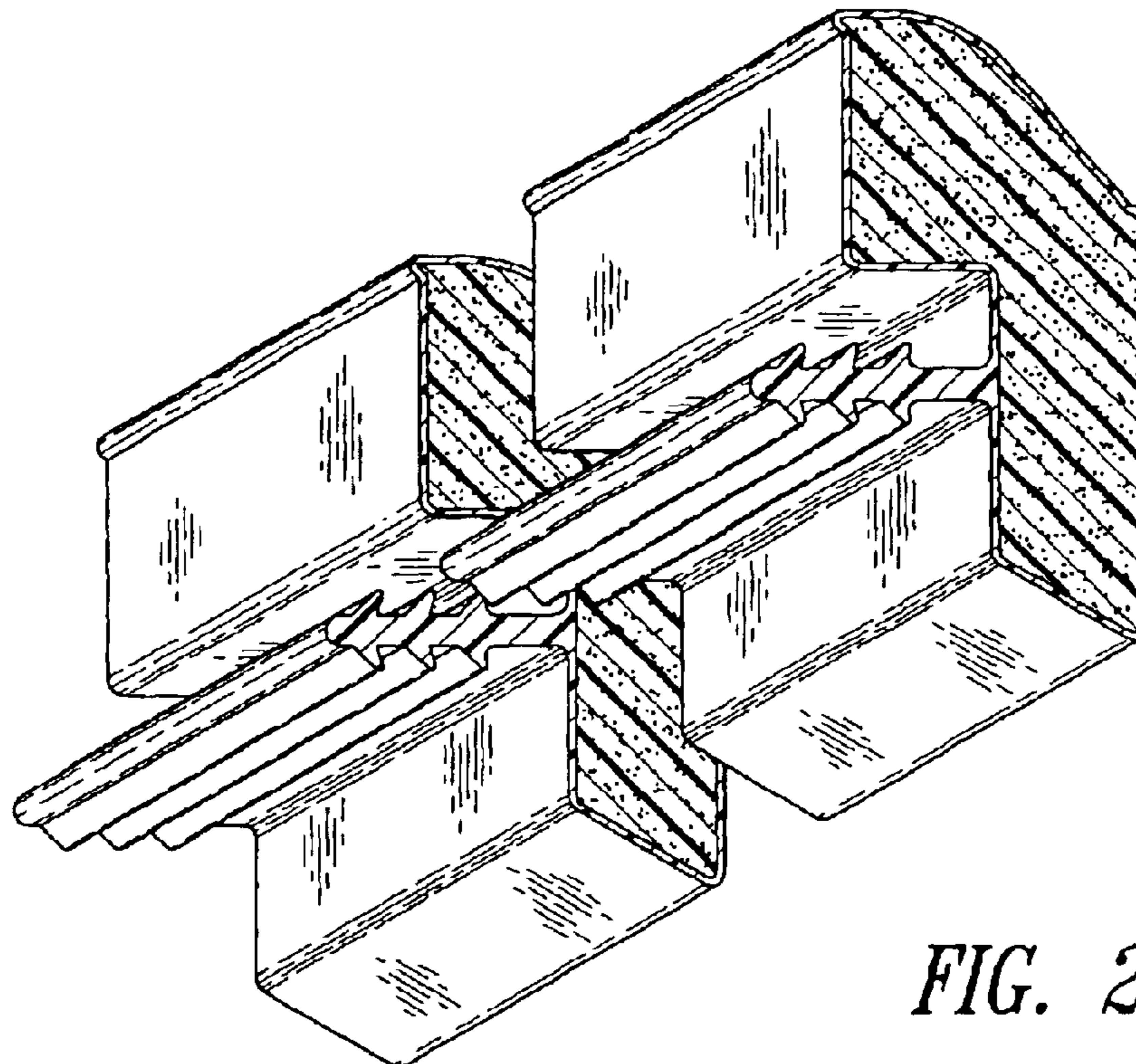


FIG. 2