

US00D493236S1

(12) **United States Design Patent**
Frey

(10) **Patent No.:** **US D493,236 S**
(45) **Date of Patent:** **** Jul. 20, 2004**

(54) **SAWHORSE**

(76) **Inventor:** **Jim Frey**, 9010 Olive Dr., Spring Valley, CA (US) 91977

(**) **Term:** **14 Years**

(21) **Appl. No.:** **29/192,888**

(22) **Filed:** **Oct. 29, 2003**

(51) **LOC (7) Cl.** **25-04**

(52) **U.S. Cl.** **D25/67**

(58) **Field of Search** D25/67; 182/179.1, 182/181.1, 183.1

4,390,081 A 6/1983 Olmsted
4,433,753 A 2/1984 Watson
4,574,917 A 3/1986 Stoddard
D308,728 S 6/1990 Carlson
D375,171 S * 10/1996 Moffitt et al. D25/67

* cited by examiner

Primary Examiner—Doris Clark

(74) *Attorney, Agent, or Firm*—Walter A. Hackler

(57) **CLAIM**

The ornamental design for sawhorse, as shown and described.

DESCRIPTION

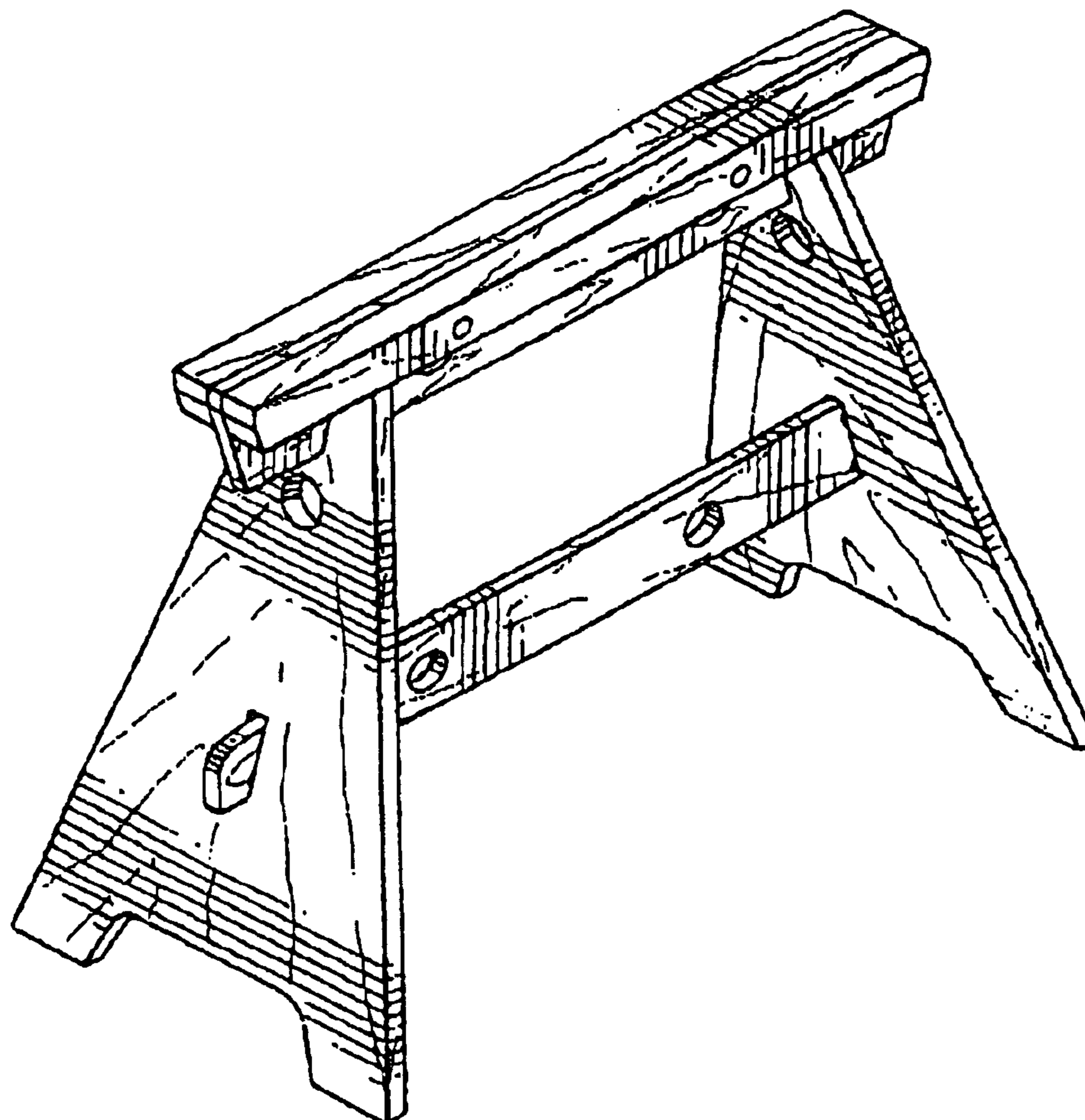
FIG. 1 is a perspective view of the present invention; FIG. 2 is a side view of the present invention, both side views being identical; FIG. 3 is an end view of the present invention, both end views being identical; FIG. 4 is a top plan view of the present invention; and, FIG. 5 is a bottom plan view of the present invention.

1 Claim, 2 Drawing Sheets

(56) **References Cited**

U.S. PATENT DOCUMENTS

145,174 A 12/1873 Harden
2,911,265 A 11/1959 Hannah
3,035,660 A 5/1962 Leon
3,603,656 A 9/1971 Ferman
D245,105 S 7/1977 Rader
4,105,091 A 8/1978 Mahan
4,182,432 A 1/1980 Cossitt



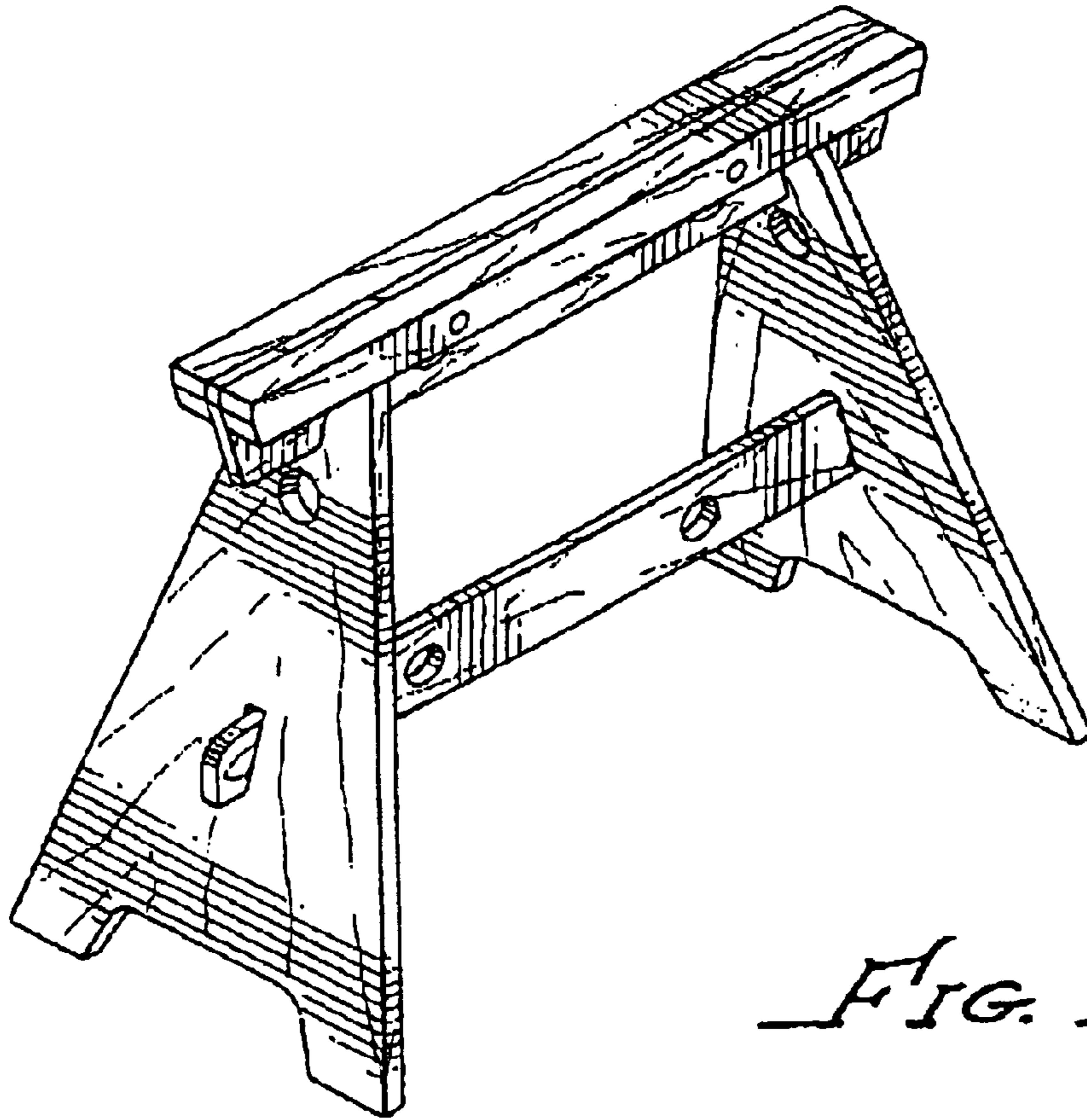


FIG. 1.

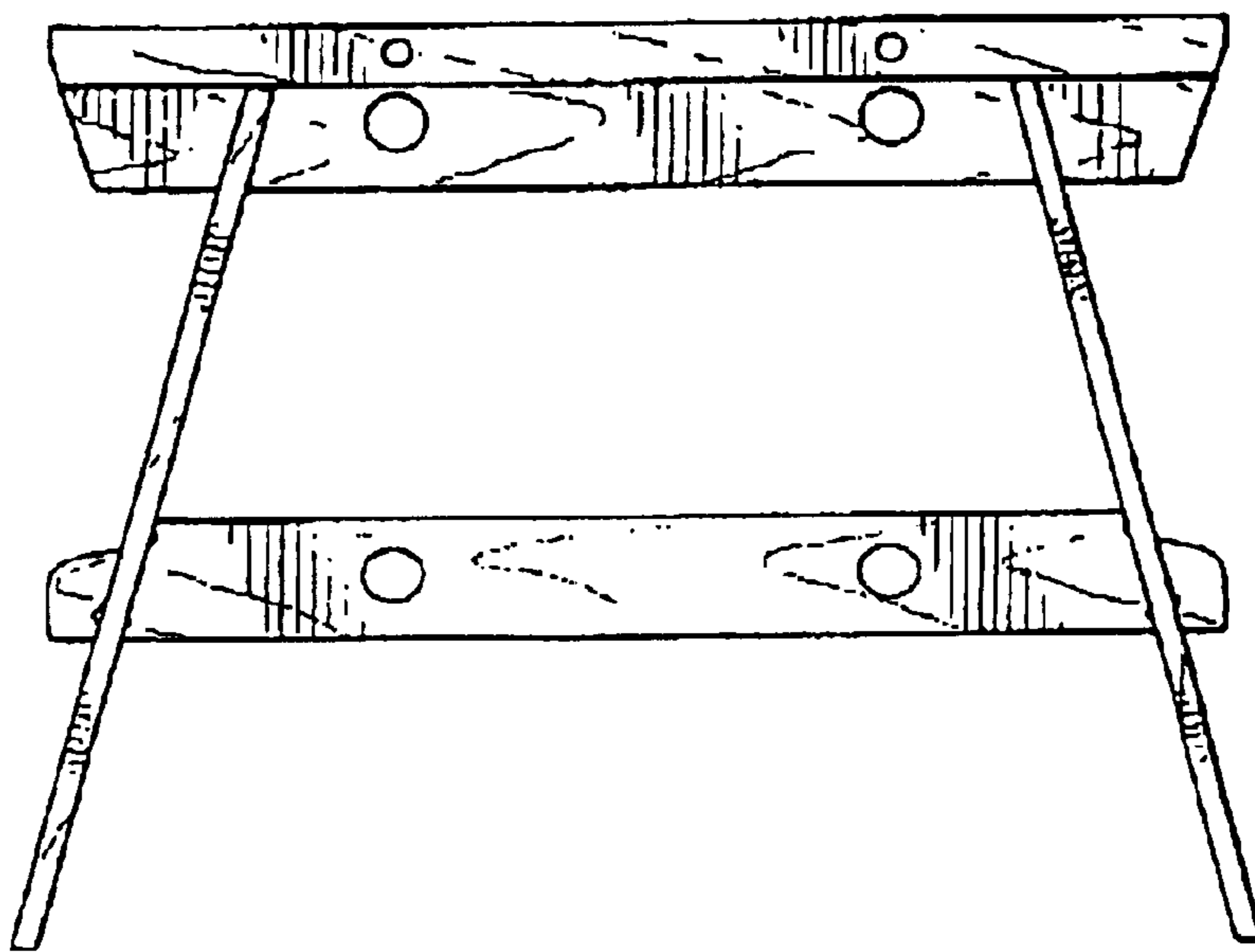


FIG. 2.

FIG. 3.

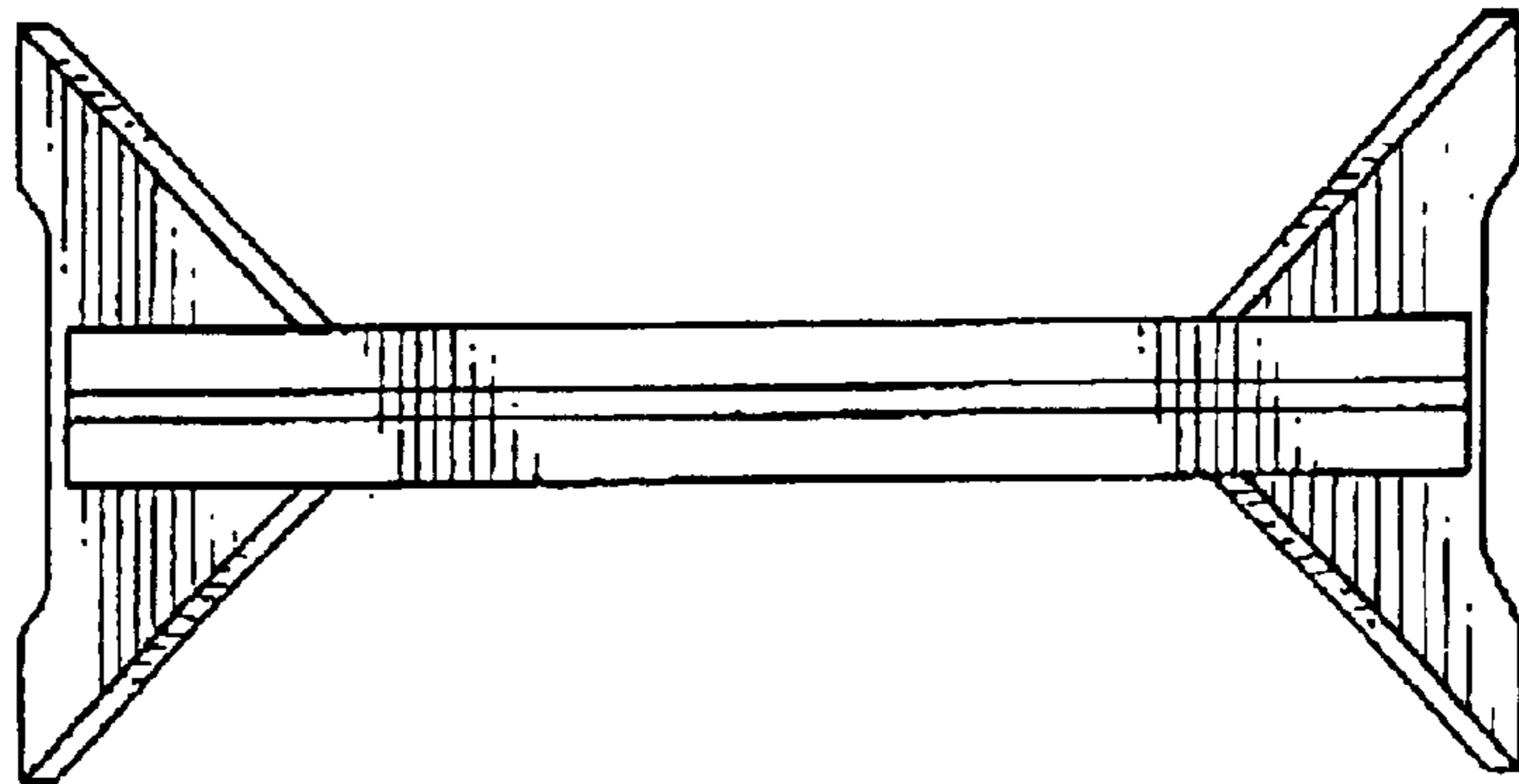
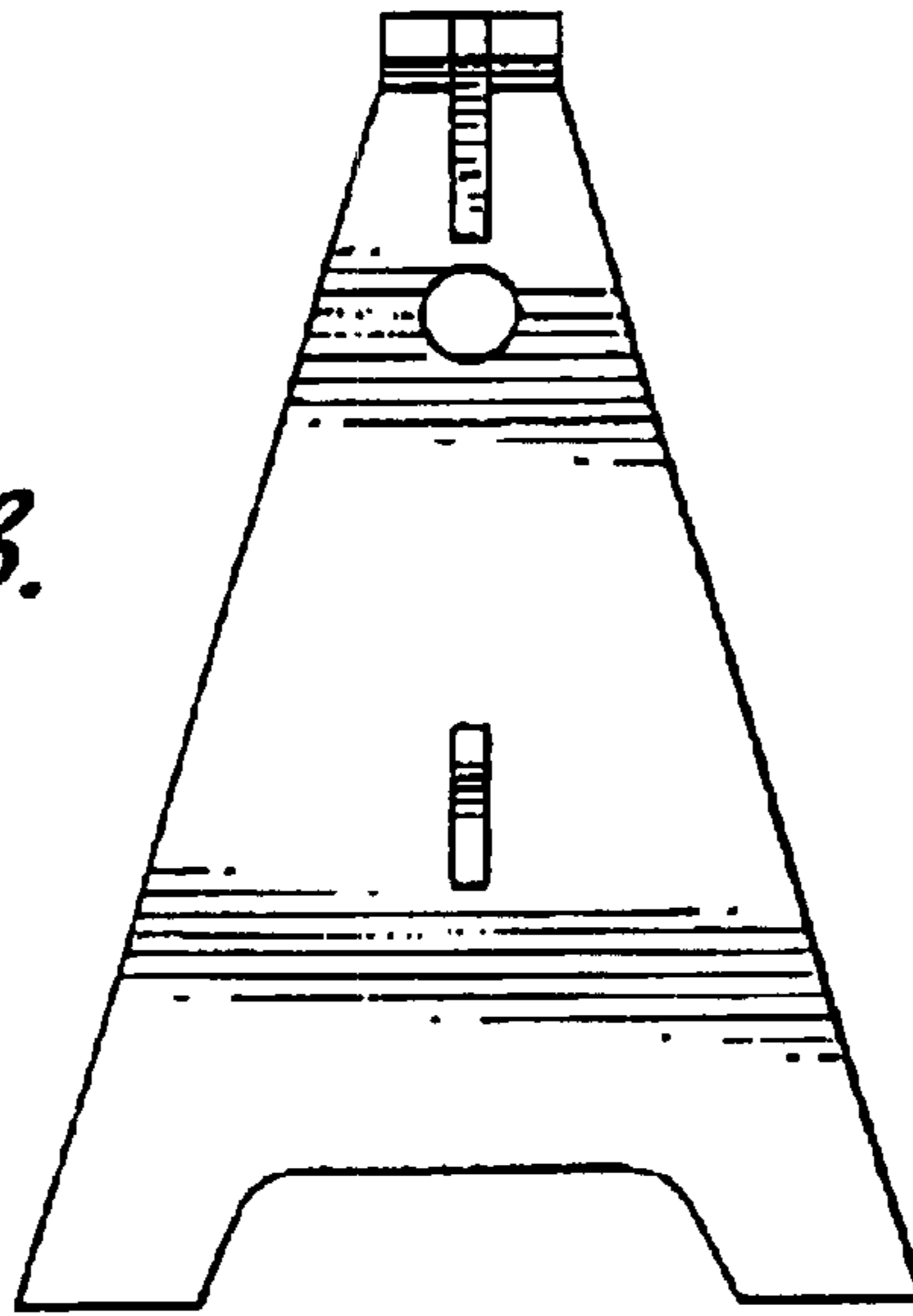


FIG. 4.

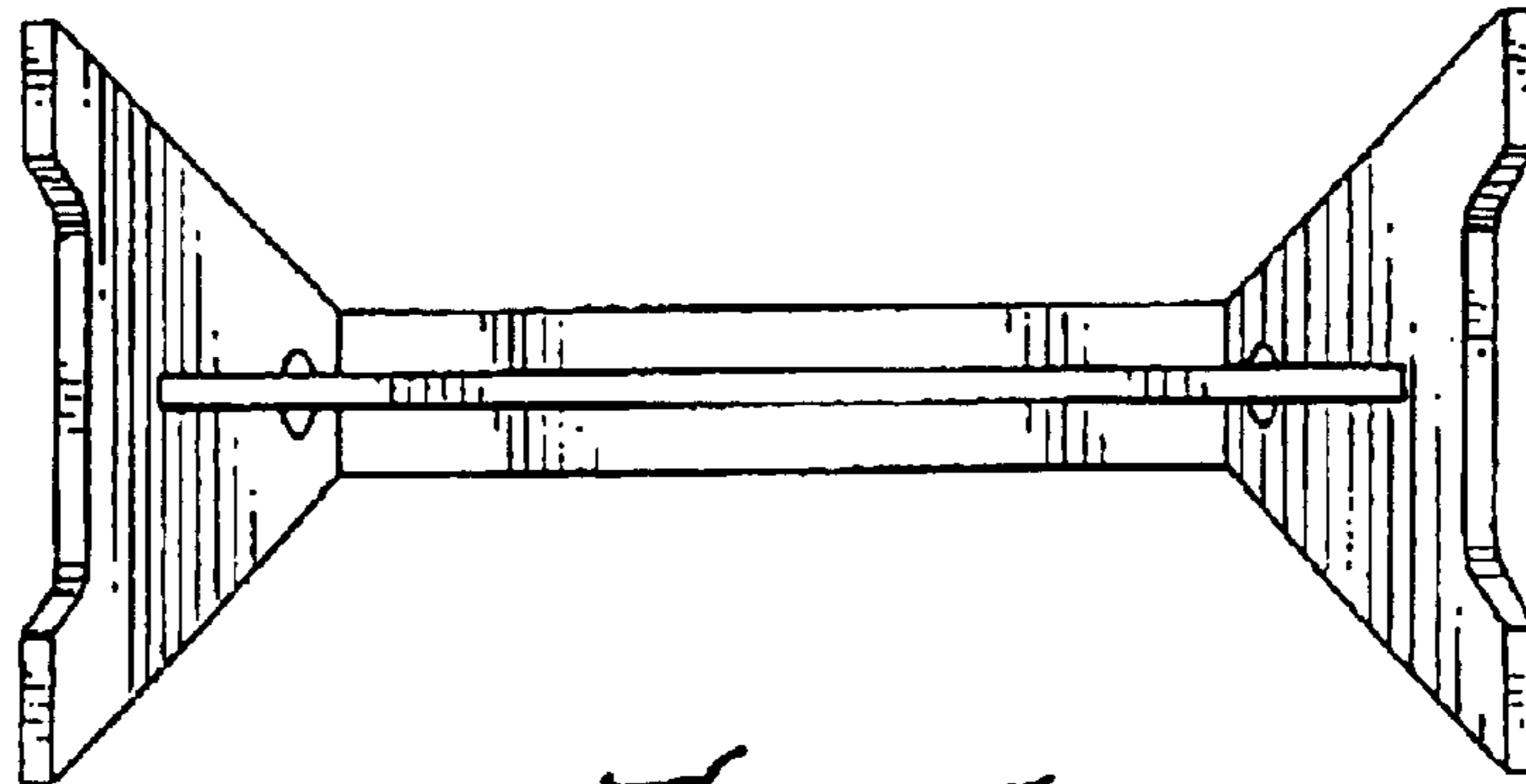


FIG. 5.