

US00D493235S1

(12) **United States Design Patent** (10) **Patent No.:** **US D493,235 S**
Strassle (45) **Date of Patent:** **** Jul. 20, 2004**

(54) **COMBINED CENTRAL COMPONENT AND STRUCTURAL ASSEMBLY**

(75) Inventor: **Marcel Strassle, Kirchberg (CH)**

(73) Assignee: **Syma Intercontinental AG, Kirchberg (CH)**

(**) Term: **14 Years**

(21) Appl. No.: **29/155,950**

(22) Filed: **Feb. 22, 2002**

Related U.S. Application Data

(62) Division of application No. 29/132,057, filed on Nov. 2, 2000, now Pat. No. Des. 453,970.

(30) **Foreign Application Priority Data**

May 2, 2000 (CH) 126.958

(51) **LOC (7) Cl.** **25-02**

(52) **U.S. Cl.** **D25/61**

(58) **Field of Search** D25/61, 102; 403/292, 403/300, 286, 301, 302, 293, 169, 170, 171, 176

(56) **References Cited**

U.S. PATENT DOCUMENTS

D257,366 S * 10/1980 Gabriel D25/61
5,918,998 A * 7/1999 Pourmand 403/171

* cited by examiner

Primary Examiner—Doris Clark

(74) *Attorney, Agent, or Firm*—Sughrue Mion, PLLC

(57) **CLAIM**

The ornamental design for combined central component and structural assembly, as shown and described.

DESCRIPTION

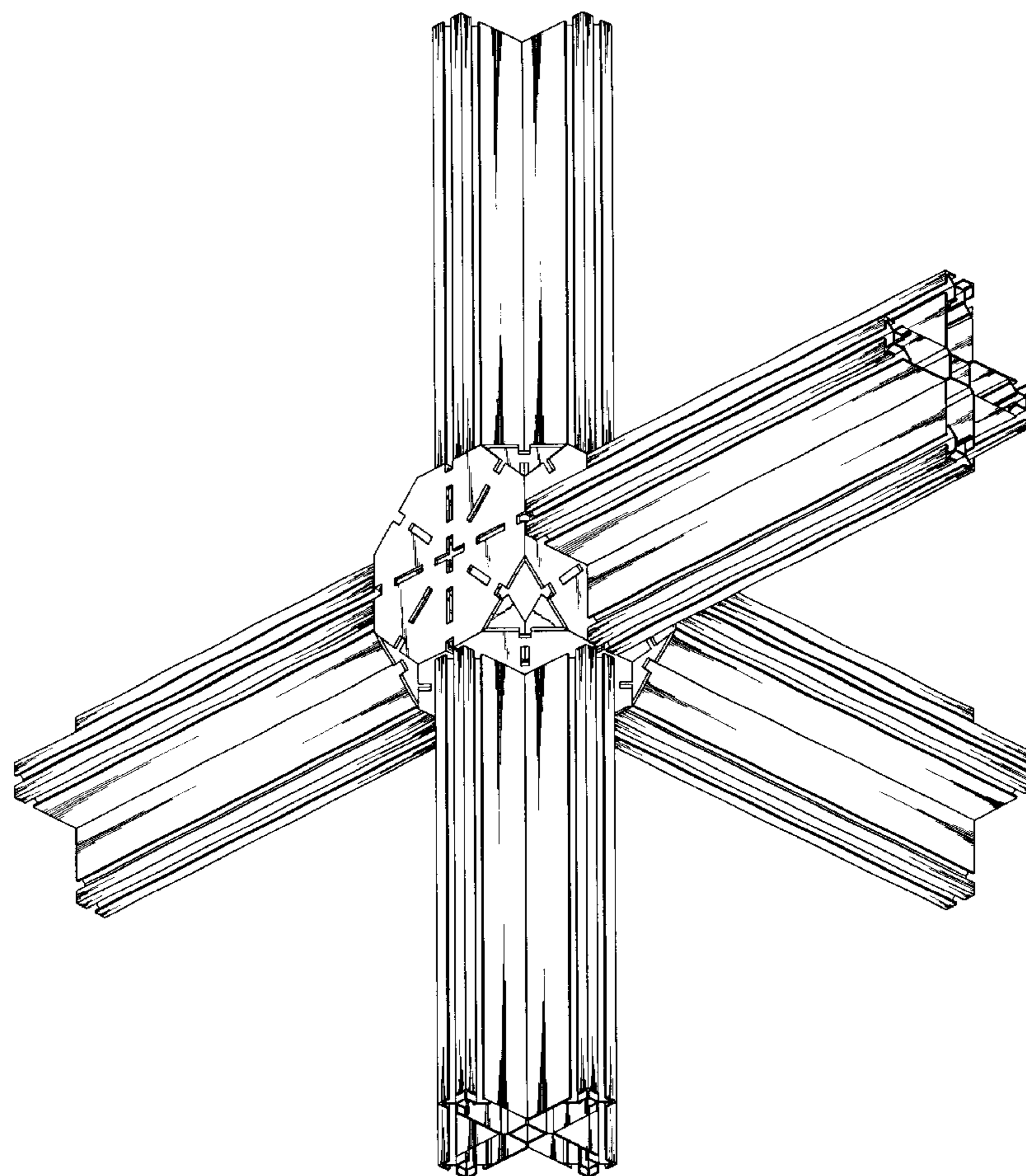
FIG. 1 is a perspective view of one side and two ends of combined central component and structural assembly showing my new design;

FIG. 2 is a perspective view of the central component shown in FIG. 1, all sides of the central component being identical;

FIG. 3 is a perspective view of an opposite end and one side of a beam component; and,

FIG. 4 is a side elevational view thereof, the opposite side being a mirror image thereof.

1 Claim, 4 Drawing Sheets



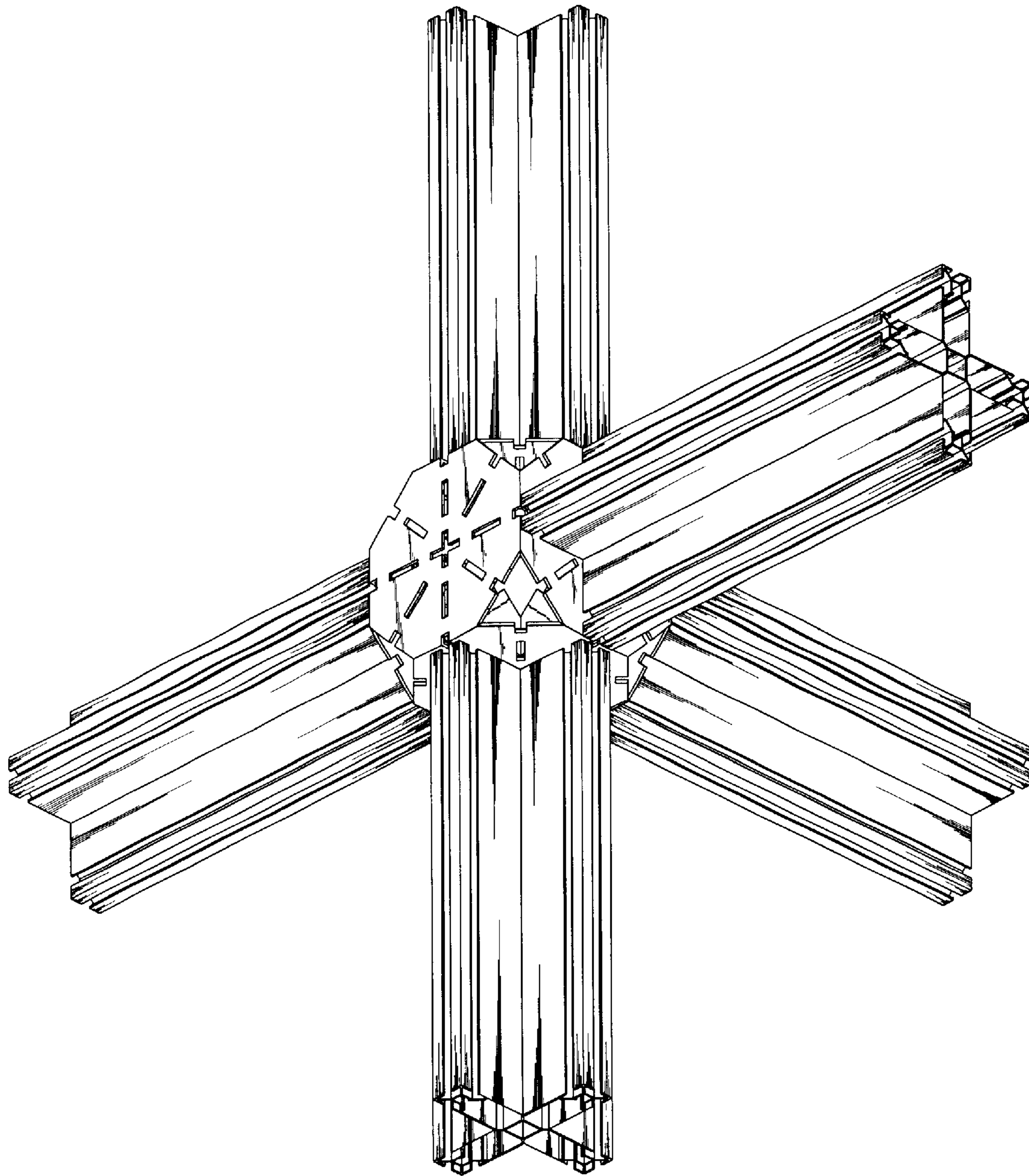


Fig. 1

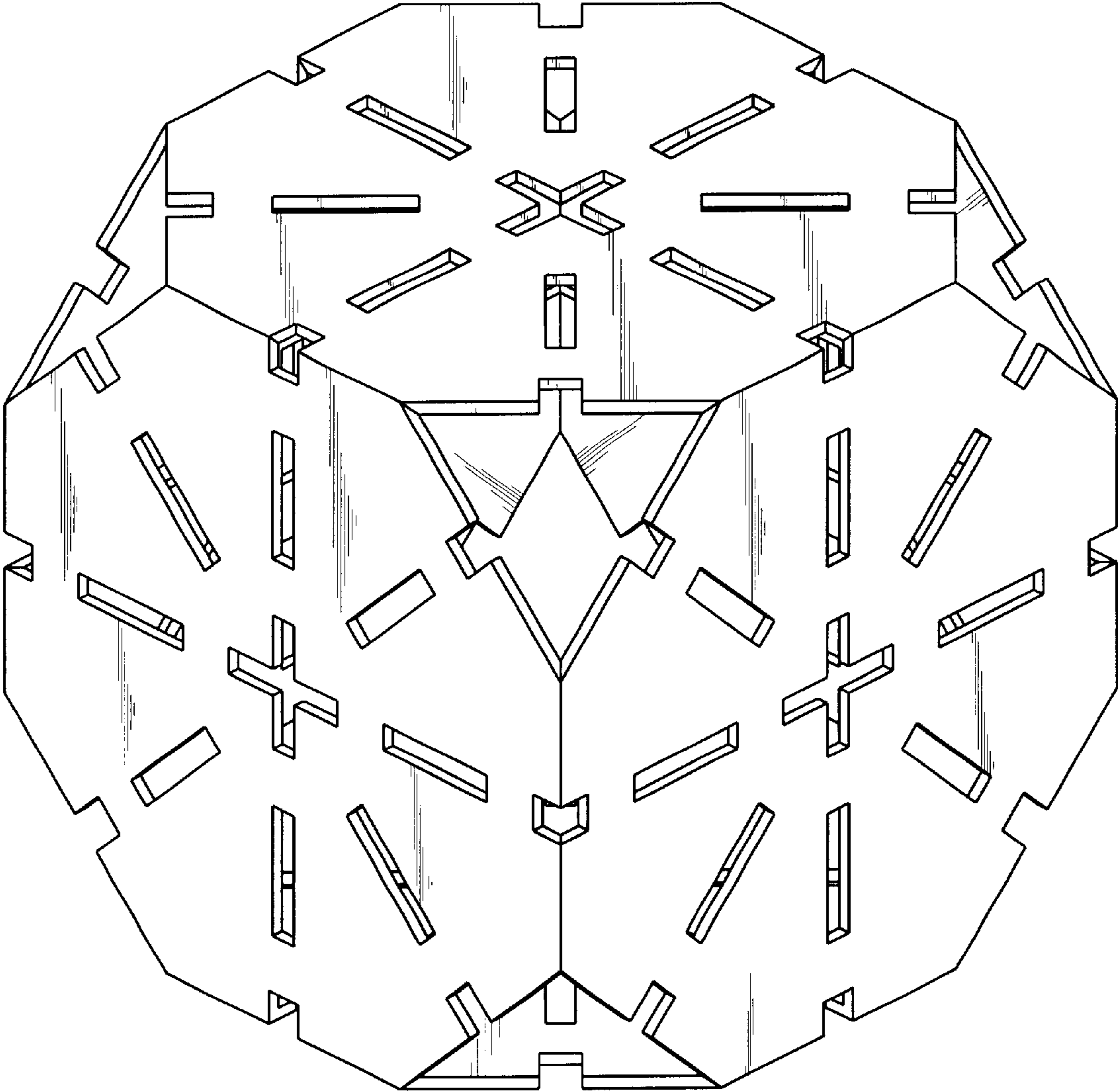


Fig. 2

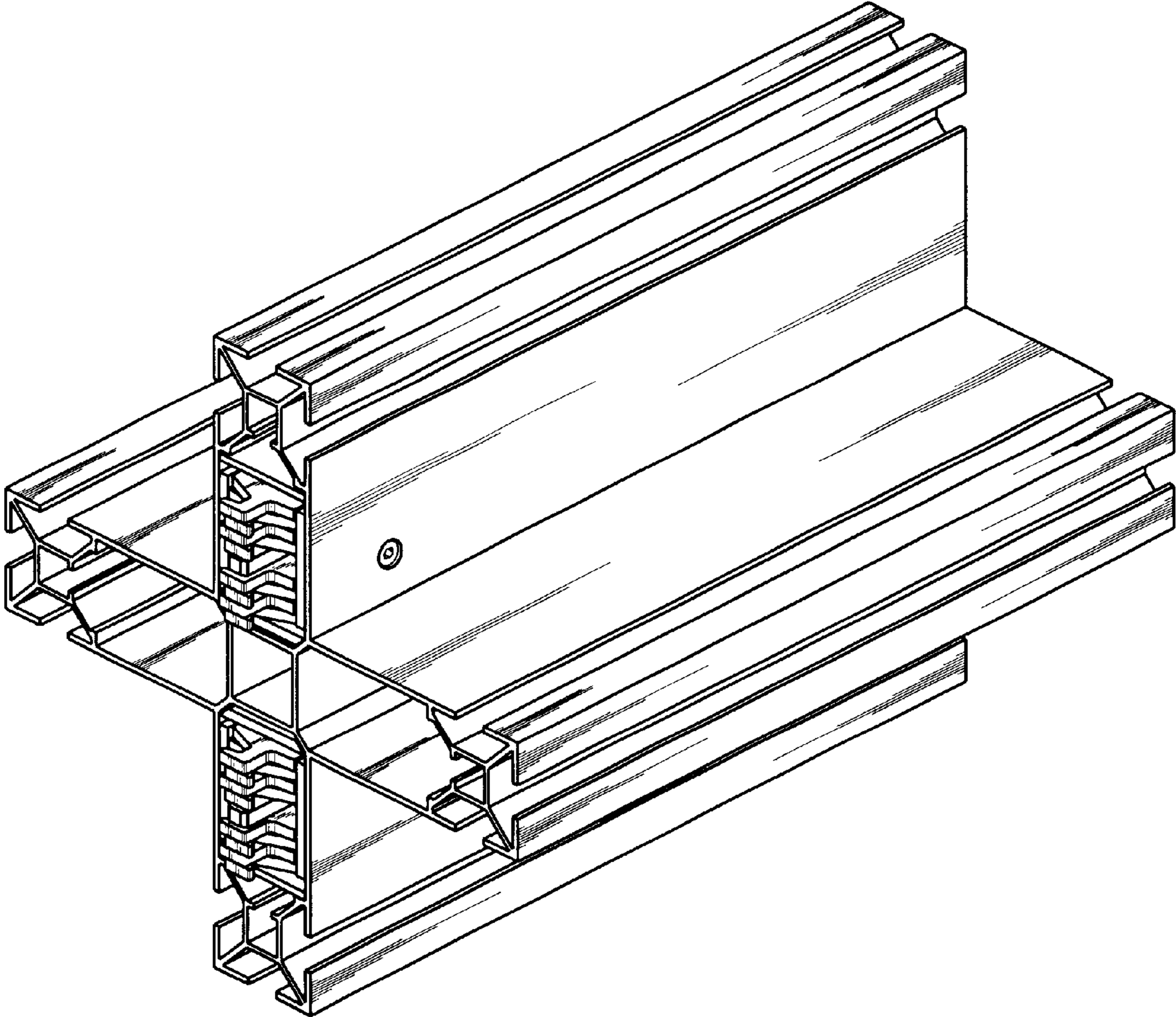


Fig. 3

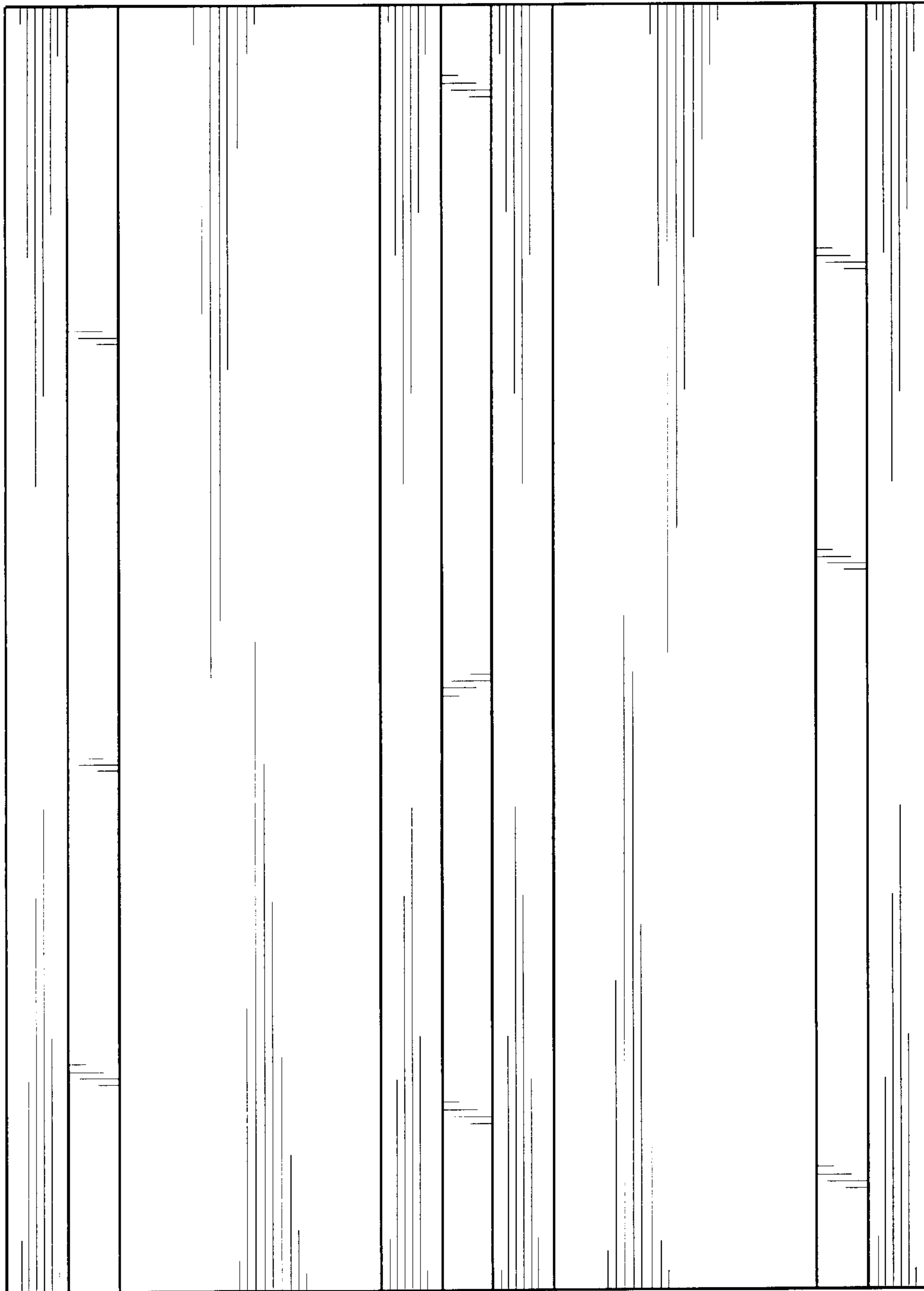


Fig. 4