

US00D493226S1

(12) **United States Design Patent**
Patzer

(10) **Patent No.:** **US D493,226 S**
(45) **Date of Patent:** **** Jul. 20, 2004**

(54) **PORTION OF A CONTRAST MEDIA RESERVOIR**

(75) Inventor: **Charles R. Patzer**, Columbus, OH (US)

(73) Assignee: **Medex, Inc.**, Carlsbad, CA (US)

(**) Term: **14 Years**

(21) Appl. No.: **29/167,811**

(22) Filed: **Sep. 20, 2002**

(51) **LOC (7) Cl.** **24-01**

(52) **U.S. Cl.** **D24/158**

(58) **Field of Search** D24/158, 160;
604/83, 89, 91, 246, 248; 600/458

(56) **References Cited**

U.S. PATENT DOCUMENTS

3,881,640 A	5/1975	Noble	
3,976,068 A	8/1976	Lundquist	
4,078,563 A	3/1978	Tuseth	
4,175,558 A	11/1979	Hess, III et al.	
4,317,473 A	3/1982	Gaydos	
4,332,247 A	6/1982	Mittleman et al.	
4,553,964 A	11/1985	Sasaki	
4,673,397 A	6/1987	Lynn et al.	
4,734,091 A	3/1988	Boyle et al.	
5,059,173 A	10/1991	Sacco	
5,249,579 A	* 10/1993	Hobbs et al.	600/458
5,328,463 A	7/1994	Barton et al.	
5,334,170 A	8/1994	Moroski	
5,356,375 A	10/1994	Higley	
5,423,346 A	6/1995	Daoud	
5,423,751 A	6/1995	Harrison et al.	

5,443,453 A	8/1995	Walker et al.	
5,533,978 A	7/1996	Teirstein	
5,569,208 A	10/1996	Woelpper et al.	
5,575,779 A	11/1996	Barry	
5,593,385 A	1/1997	Harrison et al.	
5,697,904 A	12/1997	Raines et al.	
6,315,762 B1	* 11/2001	Recinella et al.	604/247

OTHER PUBLICATIONS

Cost-Effective CCD Feature Unique Design (1 page) (MEEN/MIMS Magazine, p. 16 (Oct. 1999)).
Diagnostic/Interventional (CMS Series), B. Braun, (2 pp), 9/97.
The Medex Contrast Control Device (2 pp) (10/98).

* cited by examiner

Primary Examiner—Stella Reid
(74) *Attorney, Agent, or Firm*—Wood, Herron & Evans, LLP

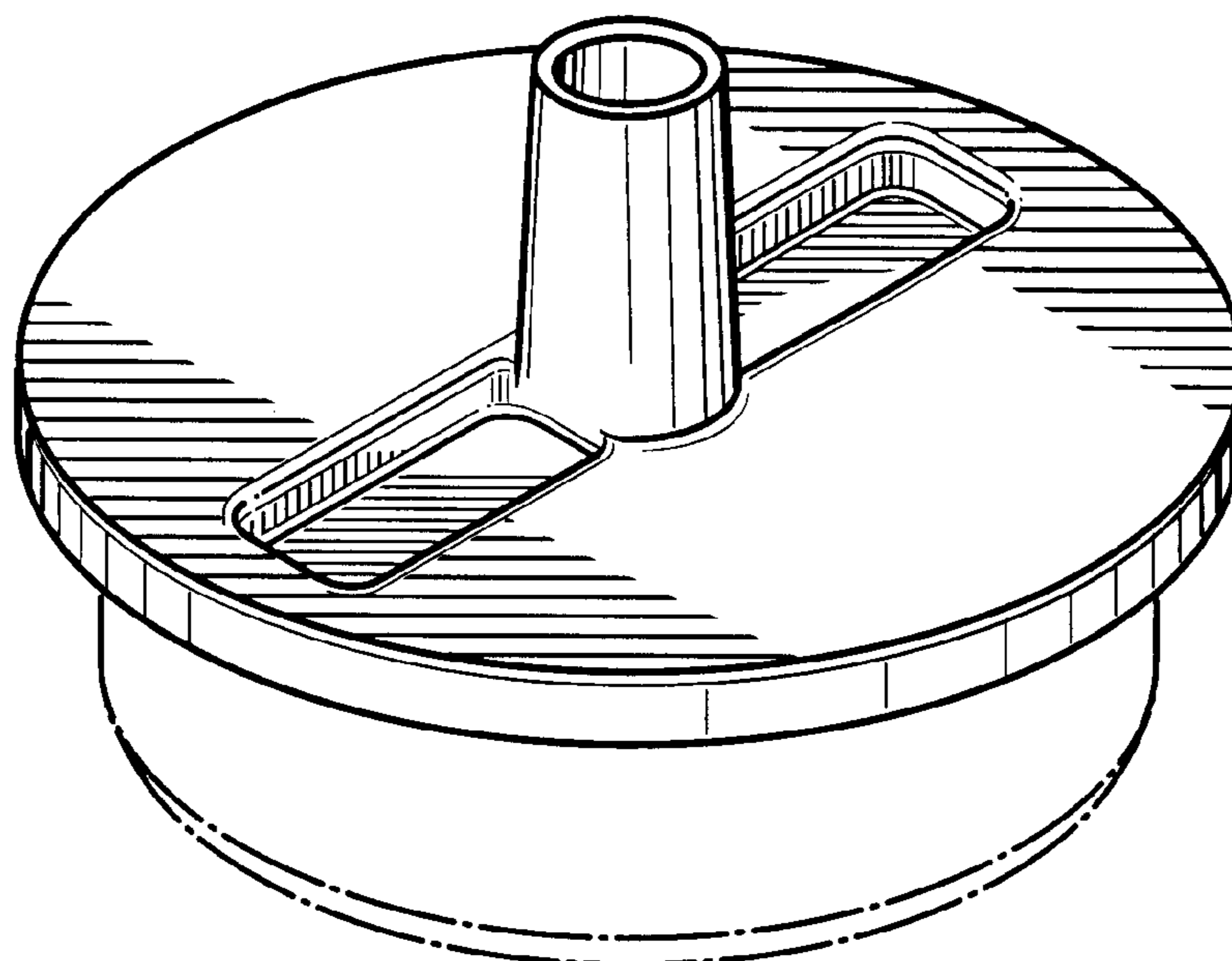
(57) **CLAIM**

The ornamental design for a portion of a contrast media reservoir, as shown and described.

DESCRIPTION

FIG. 1 is a perspective view of a portion of a contrast media reservoir, showing my new design; FIG. 2 is a front elevational view thereof, the left side, right side and rear elevational views thereof being identical; FIG. 3 is a top plan view thereof; and, FIG. 4 is a bottom plan view thereof. The structure shown in phantom is for illustrative purposes only and forms no part of the claimed design.

1 Claim, 1 Drawing Sheet



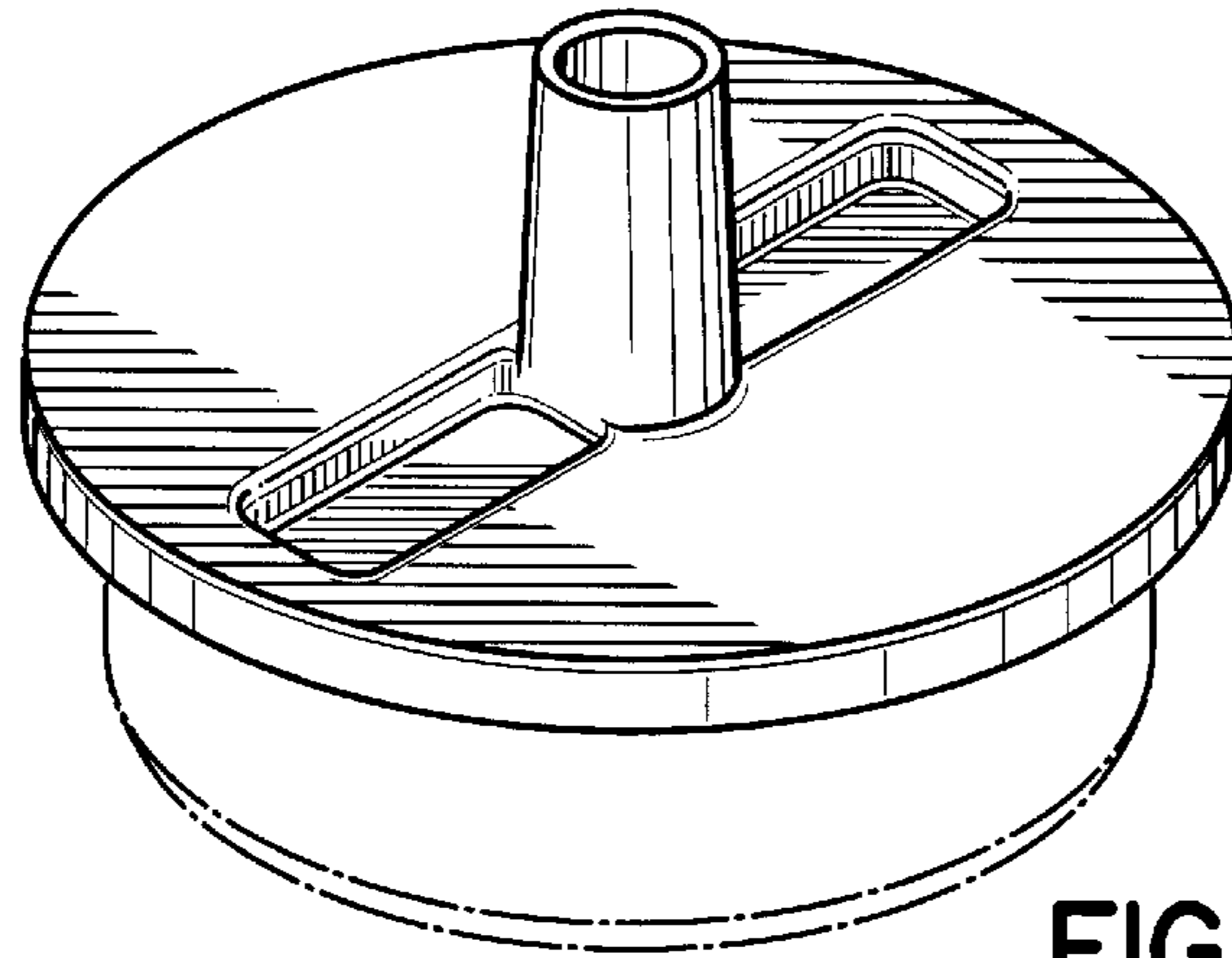


FIG. 1

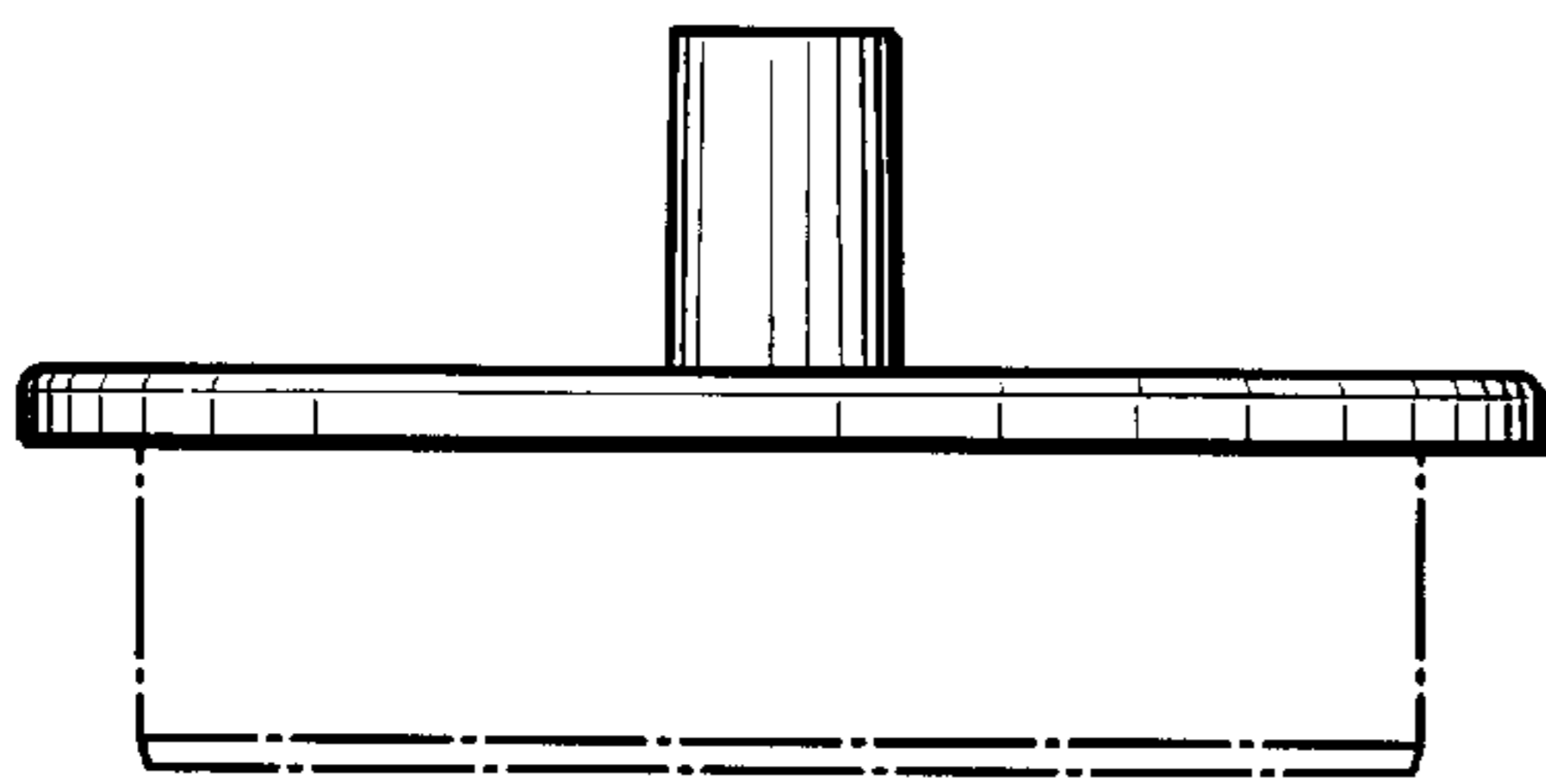


FIG. 2

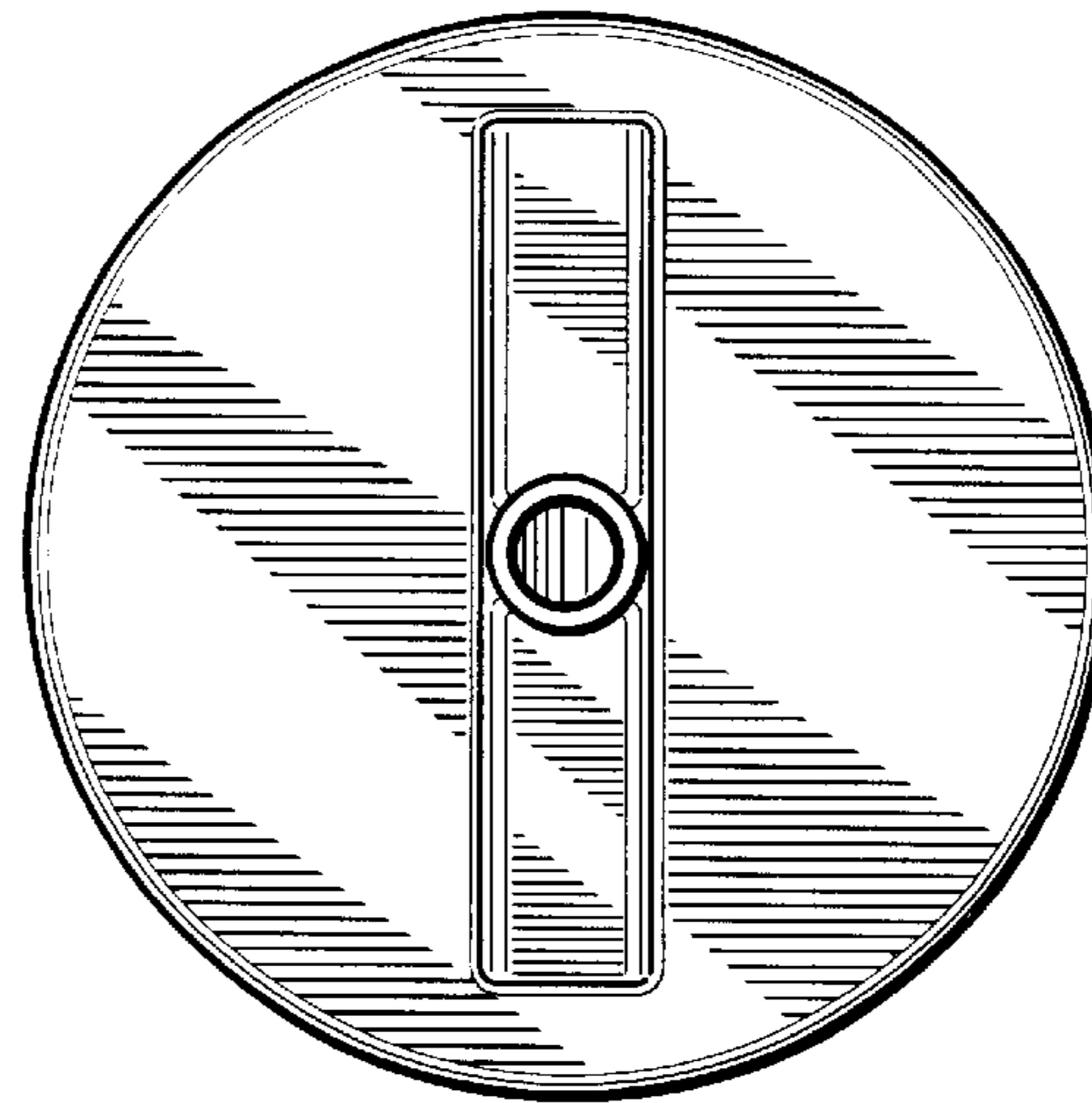


FIG. 3

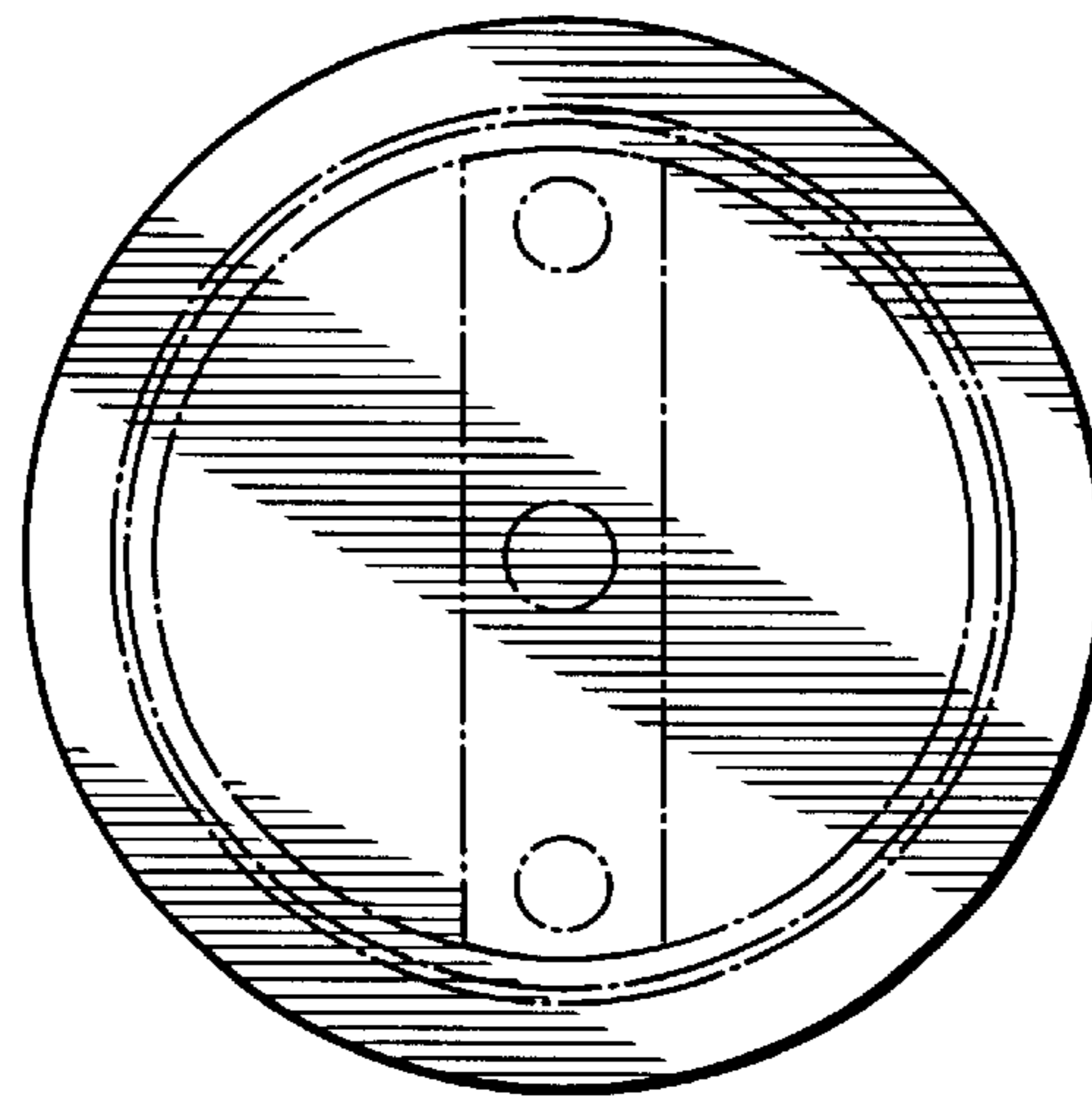


FIG. 4