

US00D493224S1

(12) **United States Design Patent**
Cosgrove

(10) **Patent No.:** **US D493,224 S**

(45) **Date of Patent:** **** Jul. 20, 2004**

(54) **ACETABULAR SHELL WITH TANG
FIXATION**

4,871,368 A * 10/1989 Wagner 623/22.29
5,092,897 A * 3/1992 Forte 623/22.18
5,571,198 A * 11/1996 Drucker et al. 623/22.34

(75) **Inventor:** **Patrick J. Cosgrove**, Treasure Island,
FL (US)

* cited by examiner

(73) **Assignee:** **Orthopedic Designs, Inc.**, St.
Petersburg, FL (US)

Primary Examiner—Antoine Duval Davis
(74) *Attorney, Agent, or Firm*—McHale & Slavin, P.A.

(**) **Term:** **14 Years**

(57) **CLAIM**

(21) **Appl. No.:** **29/175,406**

The ornamental design for an acetabular shell with tang fixation, as shown and described.

(22) **Filed:** **Feb. 3, 2003**

DESCRIPTION

(51) **LOC (7) Cl.** **24-01**

(52) **U.S. Cl.** **D24/155**

(58) **Field of Search** D24/155; 623/22.18,
623/22.34

FIG. 1 is an isometric view of an acetabular shell with tang fixation, showing my new design;

FIG. 2 is a side view;

FIG. 3 is a front view thereof;

FIG. 4 is a cross-sectional view thereof; and,

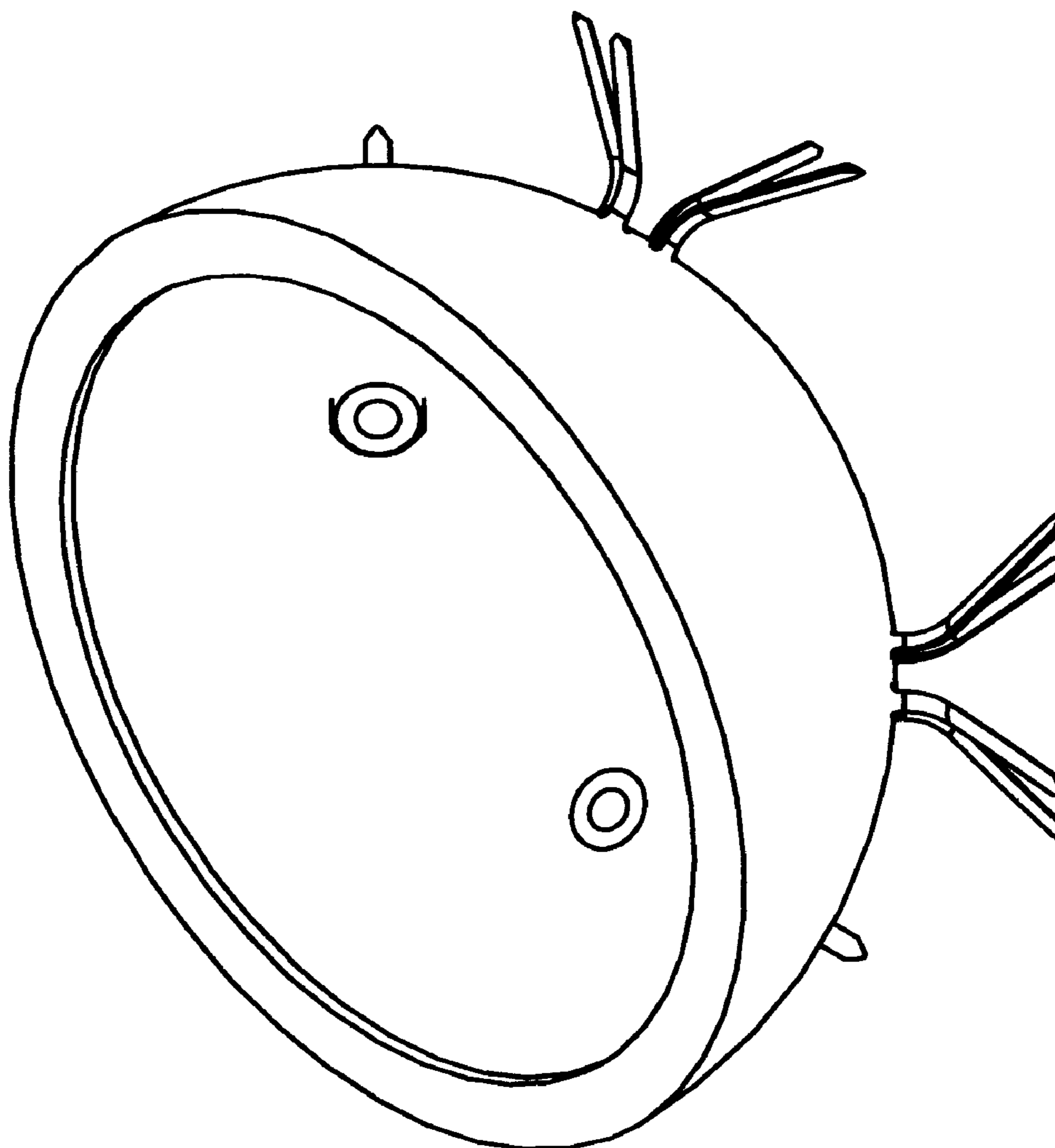
FIG. 5 is a rear view thereof.

(56) **References Cited**

U.S. PATENT DOCUMENTS

D296,714 S * 7/1988 Averill et al. D24/155

1 Claim, 2 Drawing Sheets



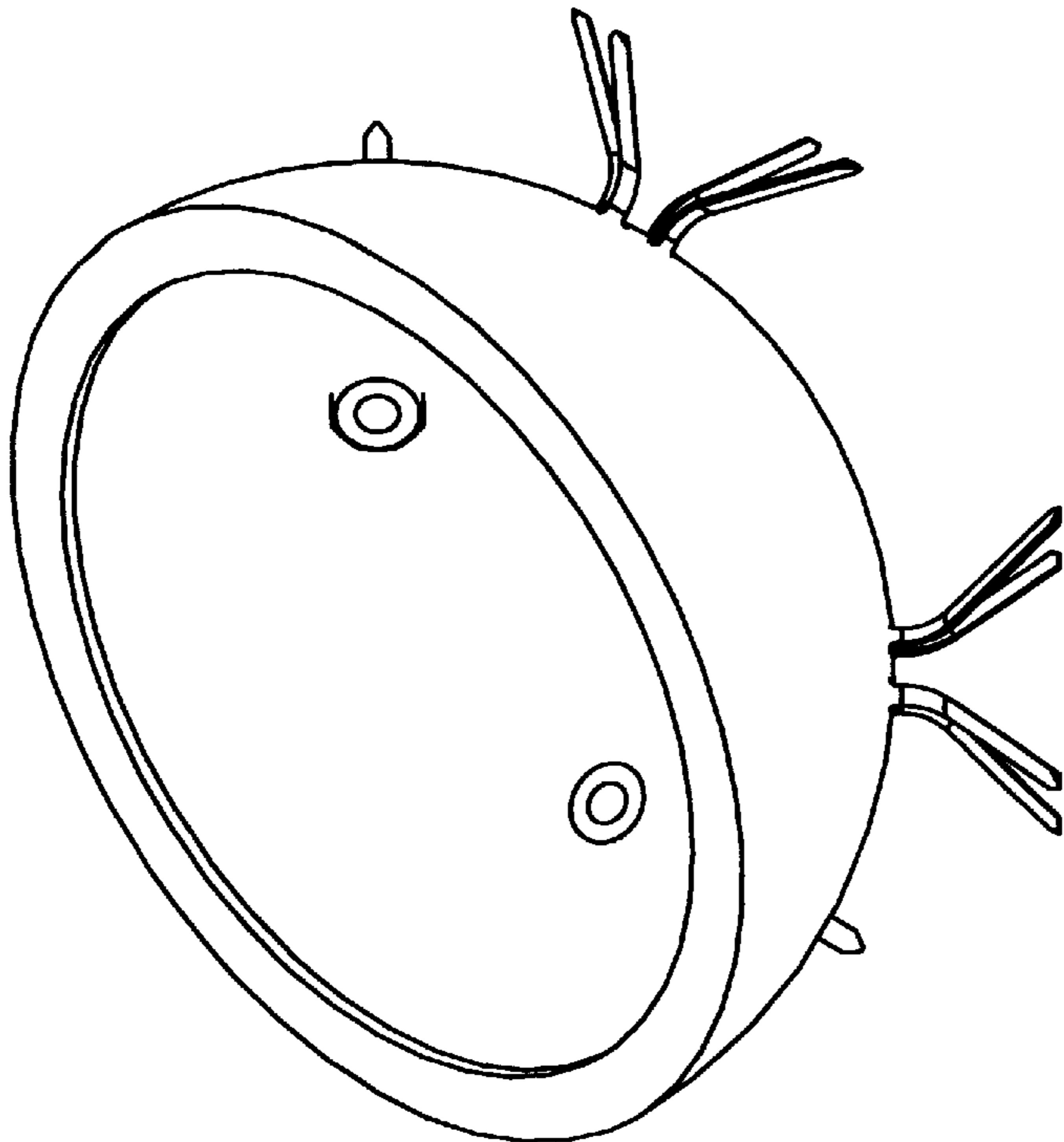


FIG. 1

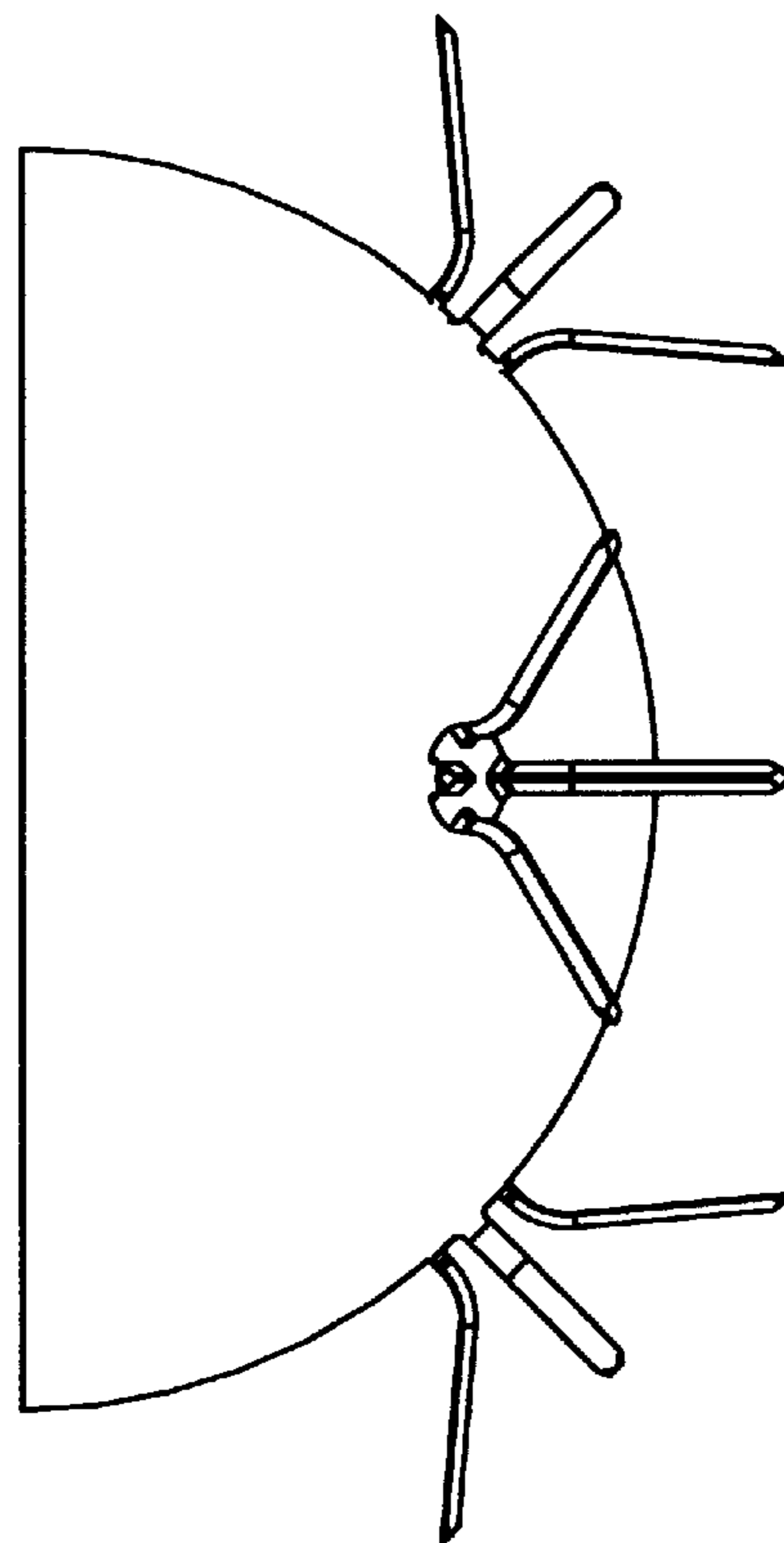


FIG. 2

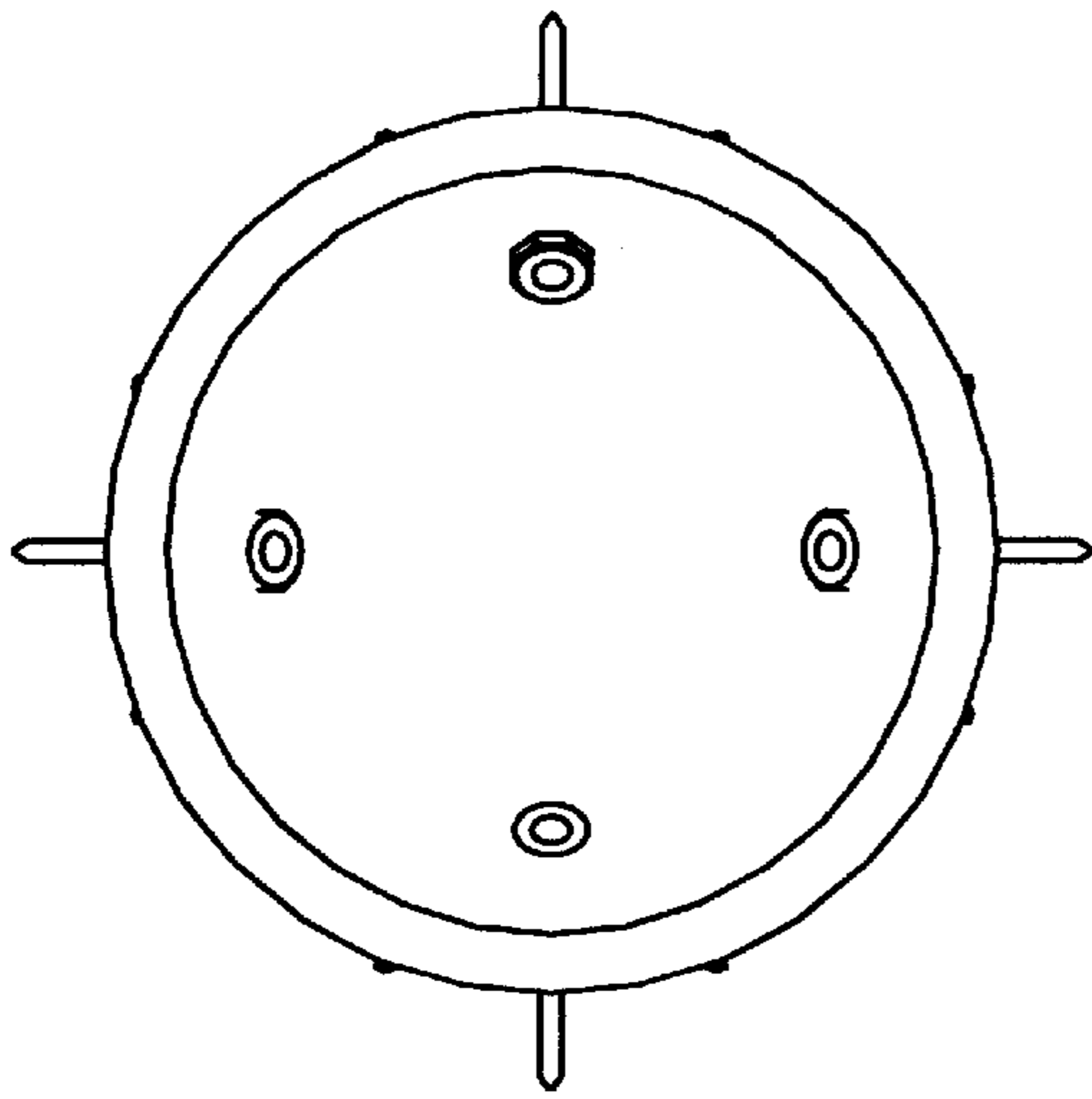


FIG. 3

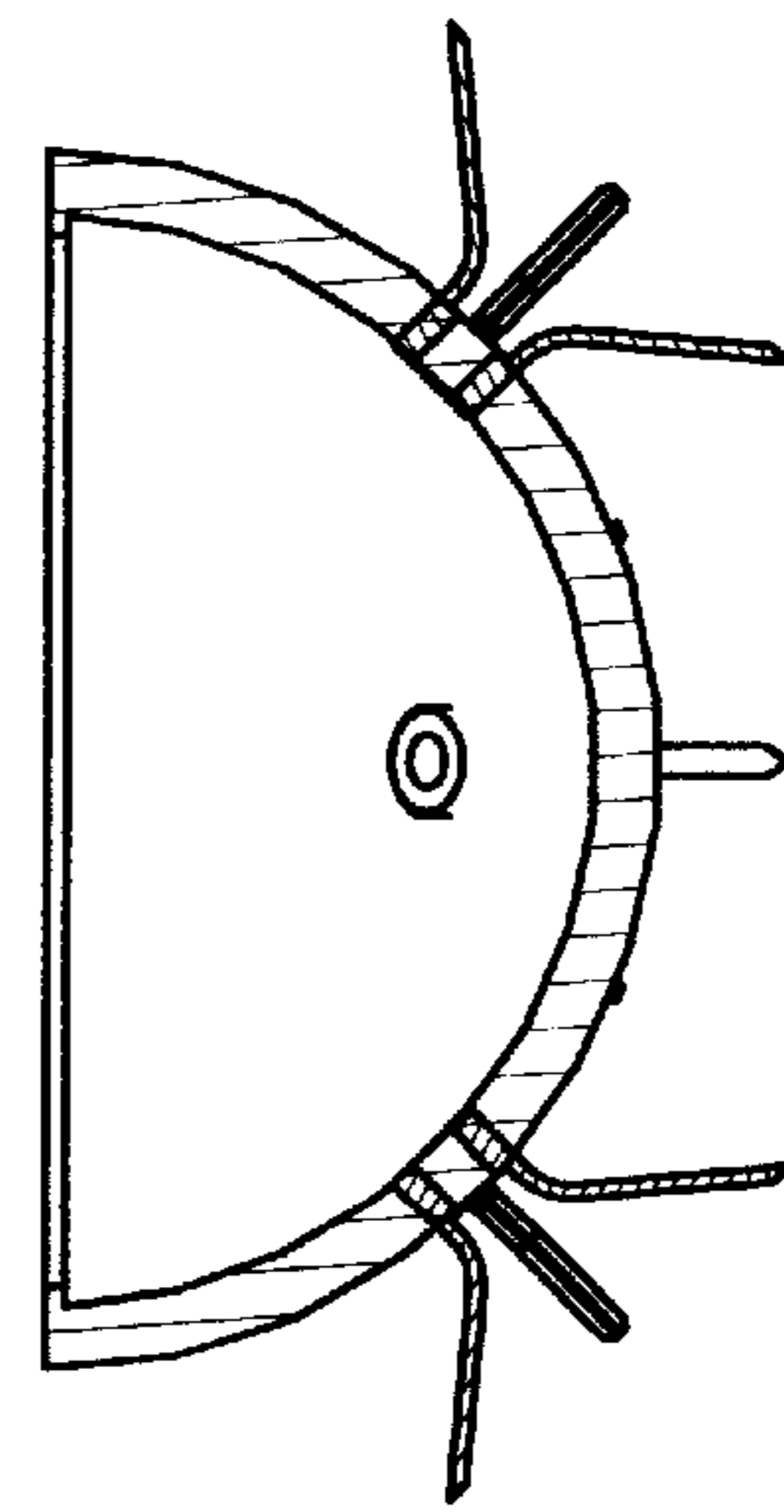


FIG. 4

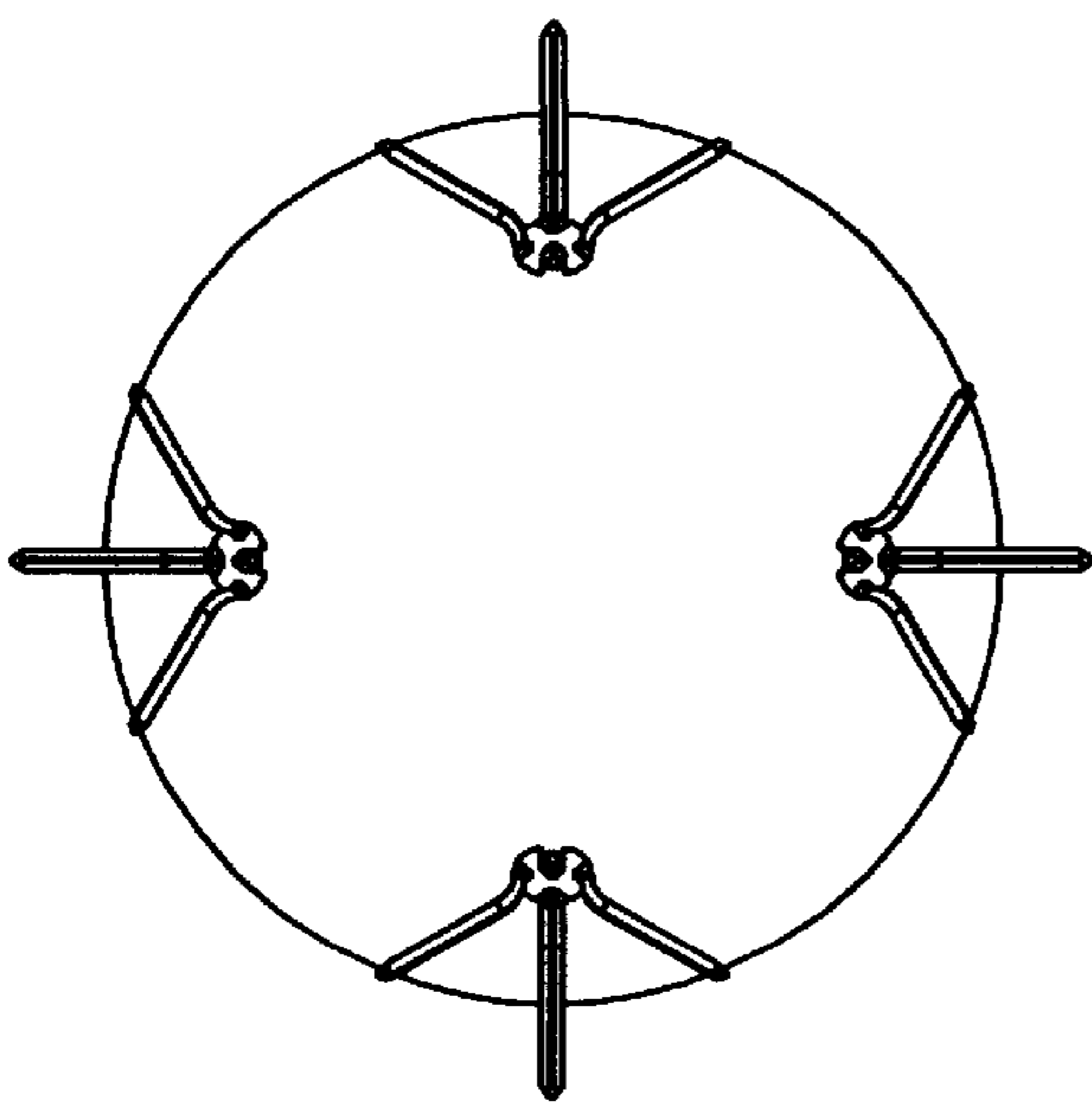


FIG. 5