

US00D493222S1

(12) **United States Design Patent**
King et al.

(10) **Patent No.:** **US D493,222 S**
(45) **Date of Patent:** **** Jul. 20, 2004**

(54) **MOUTHPIECE FOR AN INHALATION DEVICE**

(75) Inventors: **Michael L. King**, Durham, NC (US);
Alan Ball, Somerville, MA (US);
James Taylor Lloyd, Somerville, MA (US)

(73) Assignee: **Smith Kline Beecham**, Philadelphia, PA (US)

(**) Term: **14 Years**

(21) Appl. No.: **29/172,904**

(22) Filed: **Dec. 18, 2002**

(51) **LOC (7) Cl.** **29-02**

(52) **U.S. Cl.** **D24/110.5; D24/110**

(58) **Field of Search** **D24/110, 110.5, D24/164, 130, 135, 133; 128/200.24, 200.16, 200.23, 200.22, 200.12, 203.12, 203.14, 203.15, 203.25, 204.25, 207.14**

(56) **References Cited**

U.S. PATENT DOCUMENTS

5,893,361 A * 4/1999 Hughes 128/200.24

6,293,279 B1 * 9/2001 Schmidt et al. 128/200.23
D449,882 S * 10/2001 Christrup et al. D24/110
6,557,549 B2 * 5/2003 Schmidt et al. 128/200.24
D479,322 S * 9/2003 Robertson et al. D24/110.5
2003/0015195 A1 * 1/2003 Haaije de Boer et al. 128/203.15

* cited by examiner

Primary Examiner—Ian Simmons

(74) *Attorney, Agent, or Firm*—Robert J. Smith

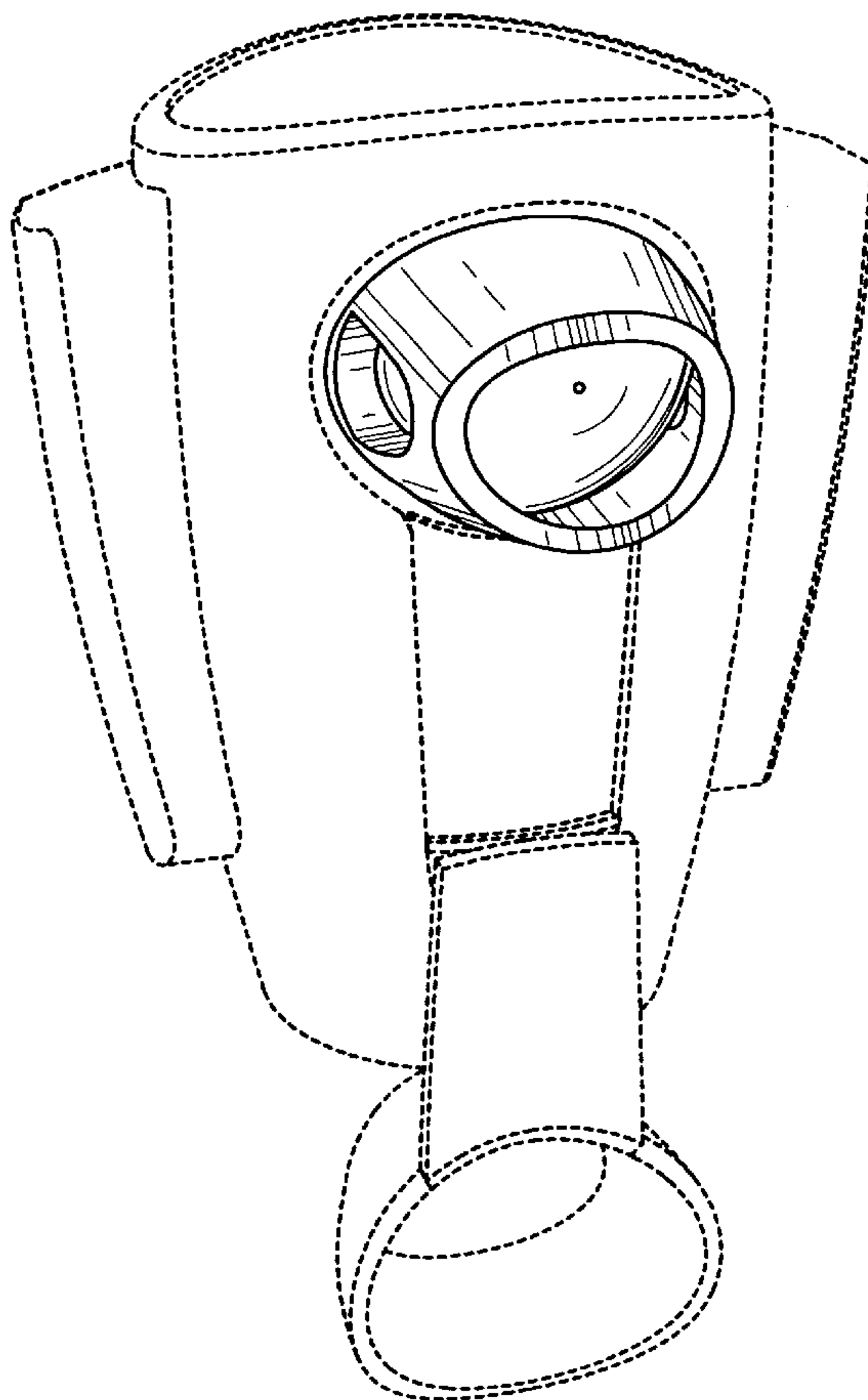
(57) **CLAIM**

The ornamental design for a mouthpiece for an inhalation device, as shown and described.

DESCRIPTION

FIG. 1 is a perspective view of a mouthpiece for an inhalation device. The broken lines are for illustrative purposes only and form no part of the claimed design; FIG. 2 is a side view thereof; FIG. 3 is a front view thereof; FIG. 4 is a top view thereof; and, FIG. 5 is a bottom view thereof.

1 Claim, 2 Drawing Sheets



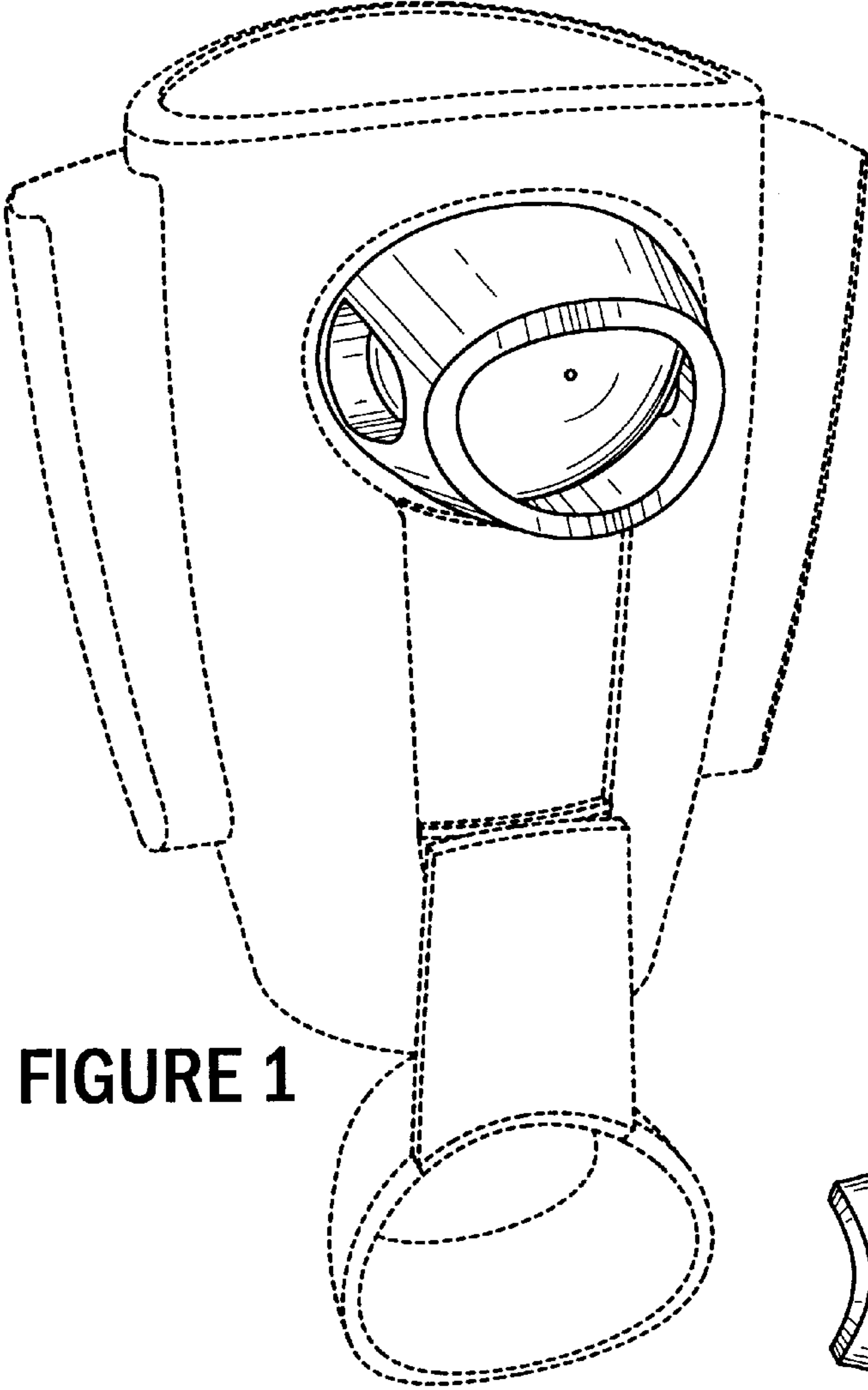


FIGURE 1

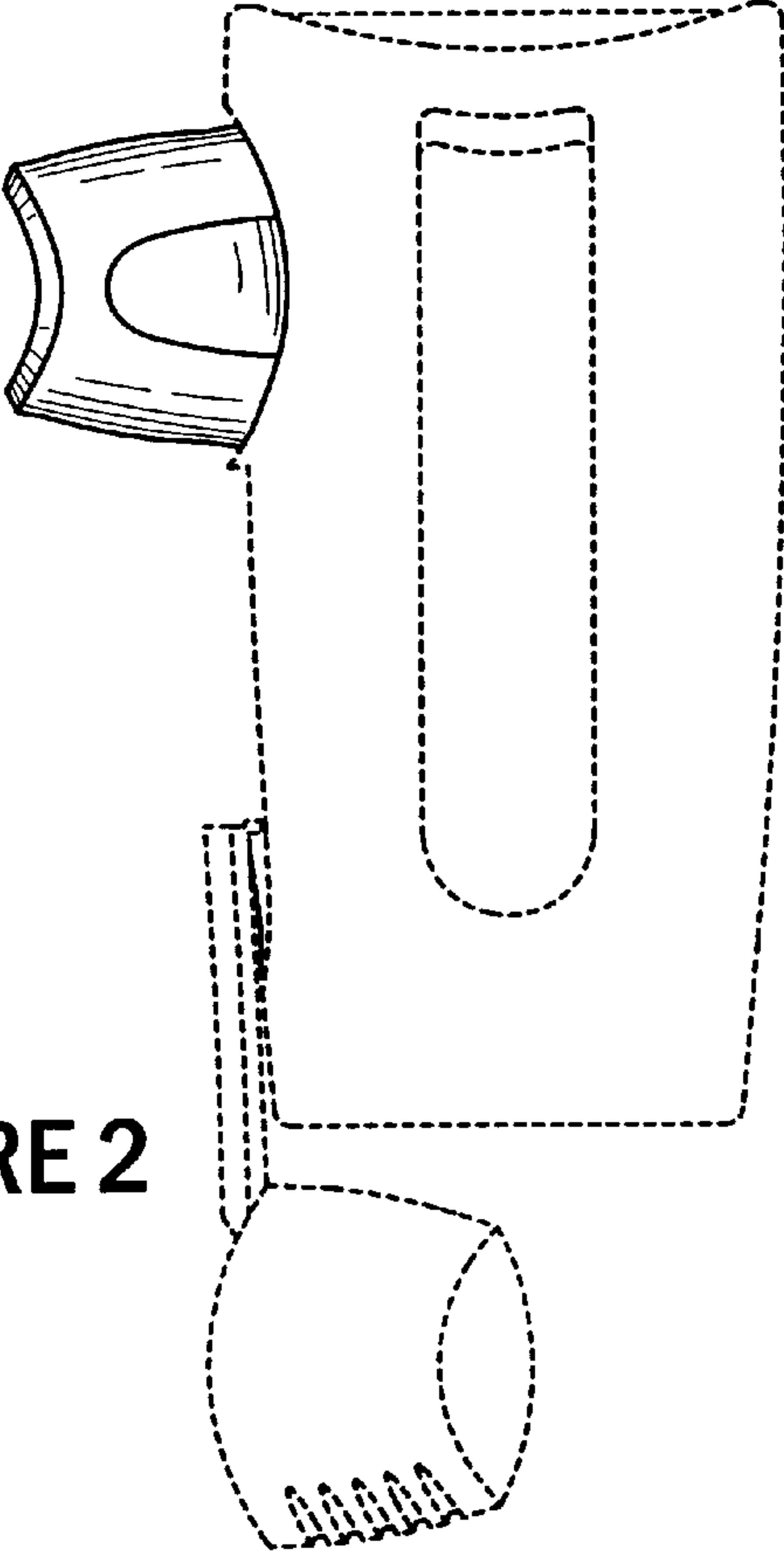


FIGURE 2

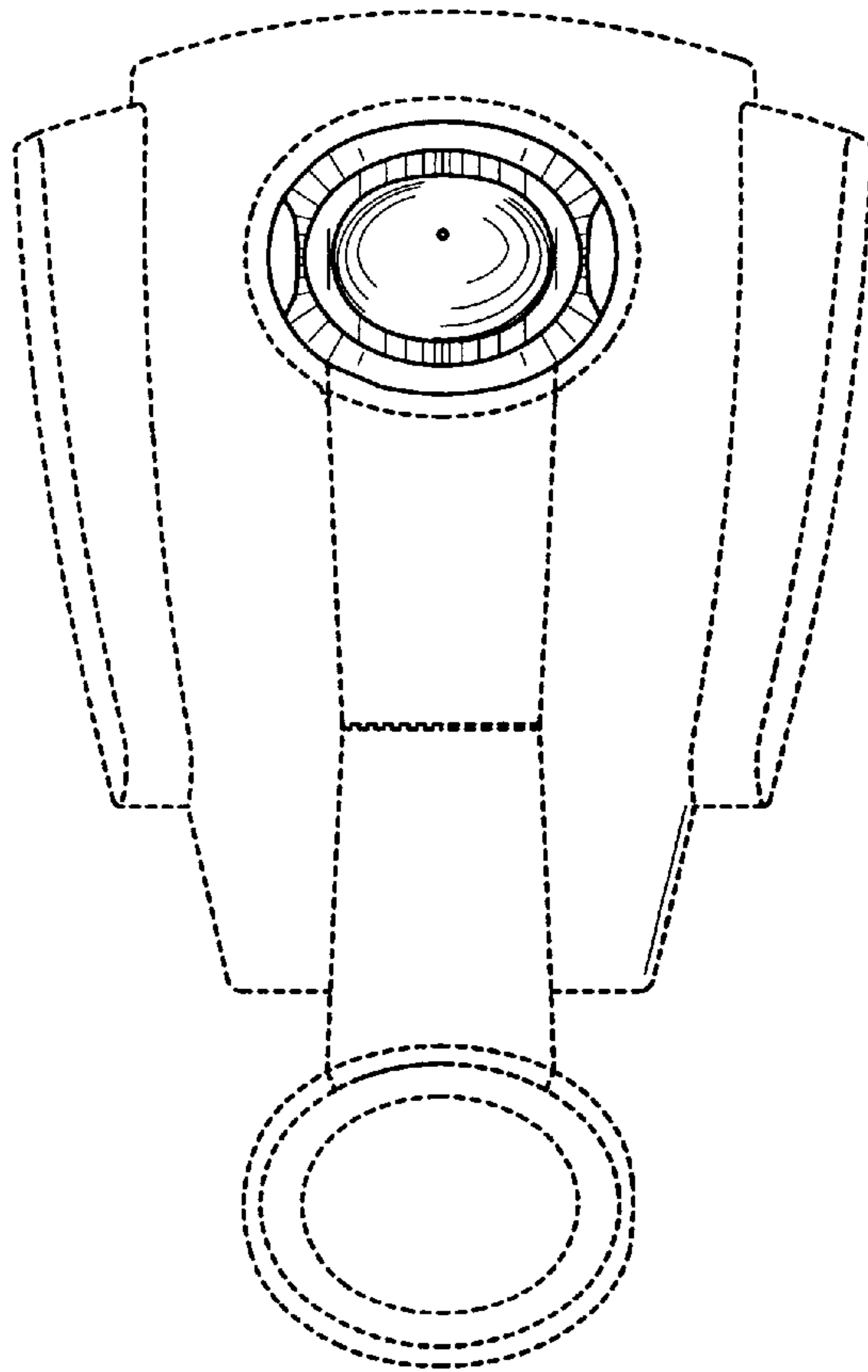


FIGURE 3

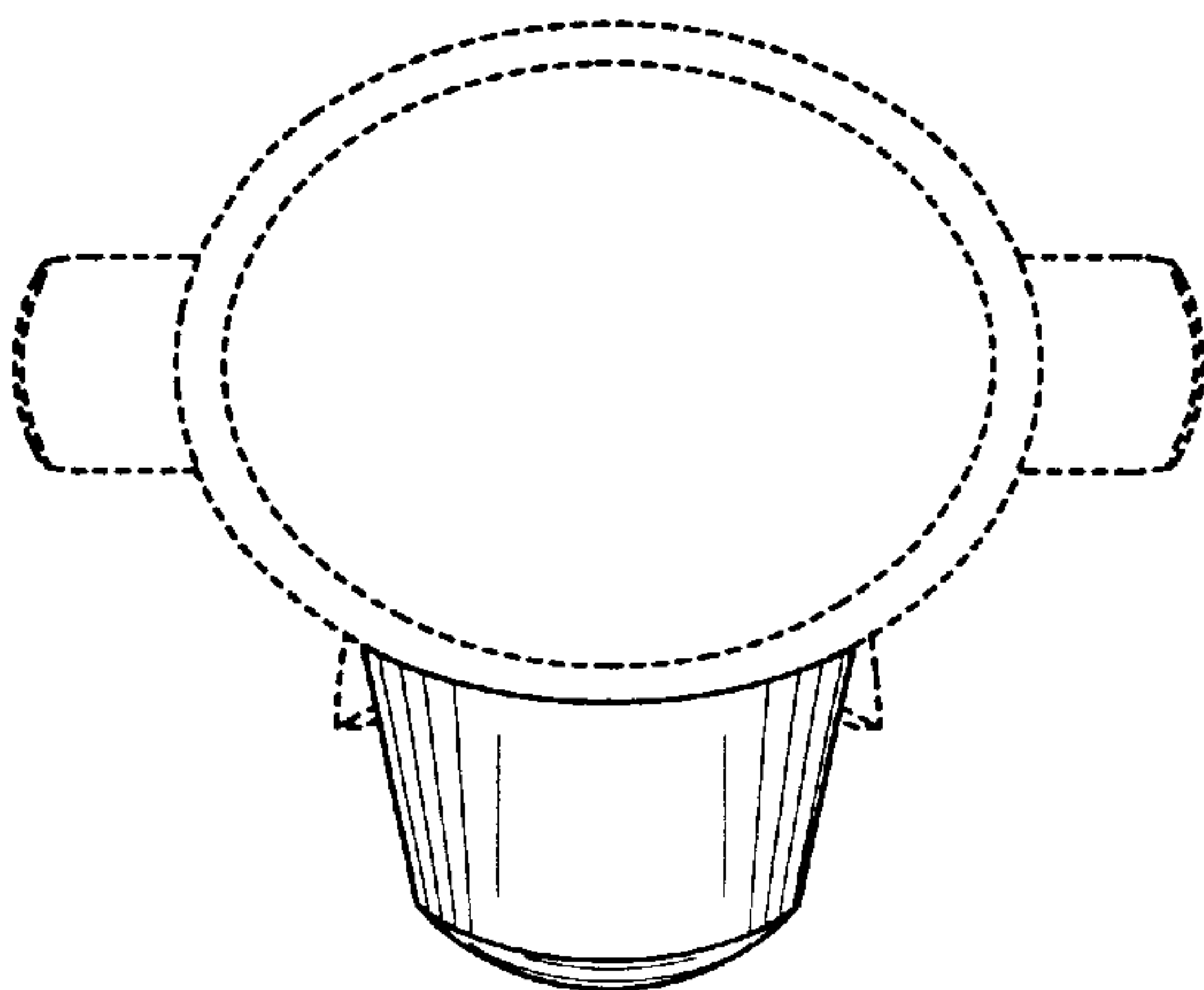


FIGURE 4

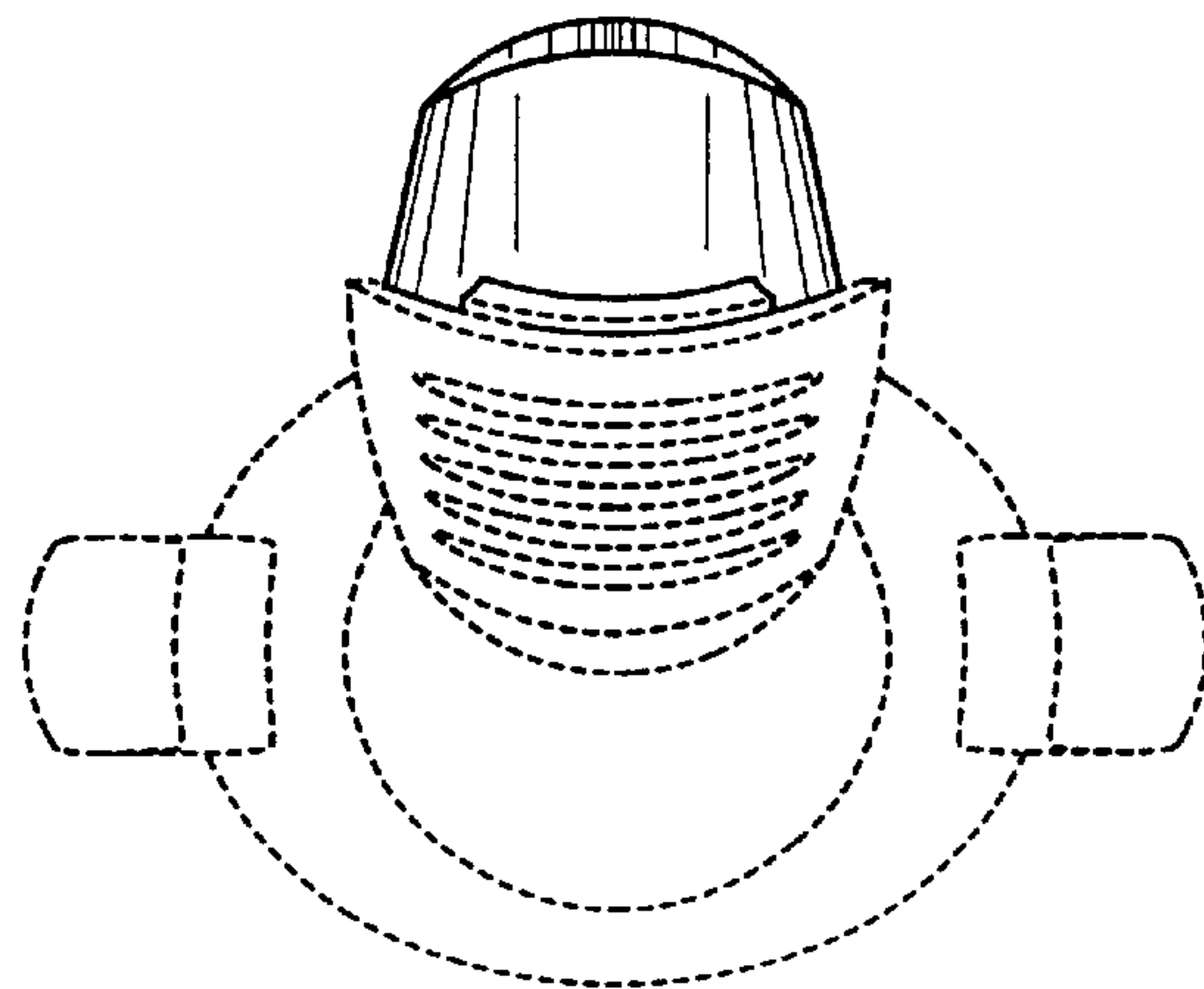


FIGURE 5