



US00D493218S1

(12) **United States Design Patent**  
**Young**

(10) **Patent No.:** **US D493,218 S**  
(45) **Date of Patent:** **\*\* Jul. 20, 2004**

(54) **CEILING FAN HOUSING**

(75) Inventor: **Stanfield Young**, Cypress, CA (US)

(73) Assignee: **Minka Lighting, Inc.**, Corona, CA (US)

(\*\*) Term: **14 Years**

(21) Appl. No.: **29/165,979**

(22) Filed: **Aug. 19, 2002**

(51) **LOC (7) Cl.** ..... **23-04**

(52) **U.S. Cl.** ..... **D23/411**

(58) **Field of Search** ..... D23/411, 377,  
D23/379, 385; 416/5; 392/364; 362/96;  
D26/59, 51, 72, 81-86, 88

(56) **References Cited**

**U.S. PATENT DOCUMENTS**

D425,610 S	*	5/2000	Gee, II	.....	D23/377
D451,592 S	*	12/2001	Dolan	.....	D23/411
D457,235 S	*	5/2002	Hidalgo	.....	D23/411

\* cited by examiner

*Primary Examiner*—Lisa Lichtenstein

(74) *Attorney, Agent, or Firm*—Jenkins & Gilchrist, P.C.

(57) **CLAIM**

The ornamental design for a ceiling fan housing, as shown and described.

**DESCRIPTION**

FIG. 1 is a perspective view from below of the ceiling fan housing in accordance with my design.

FIG. 2 is a bottom plan view of the ceiling fan housing on a reduced scale in accordance with my design;

FIG. 3 is a front elevation view of the ceiling fan housing on a reduced scale in accordance with my design;

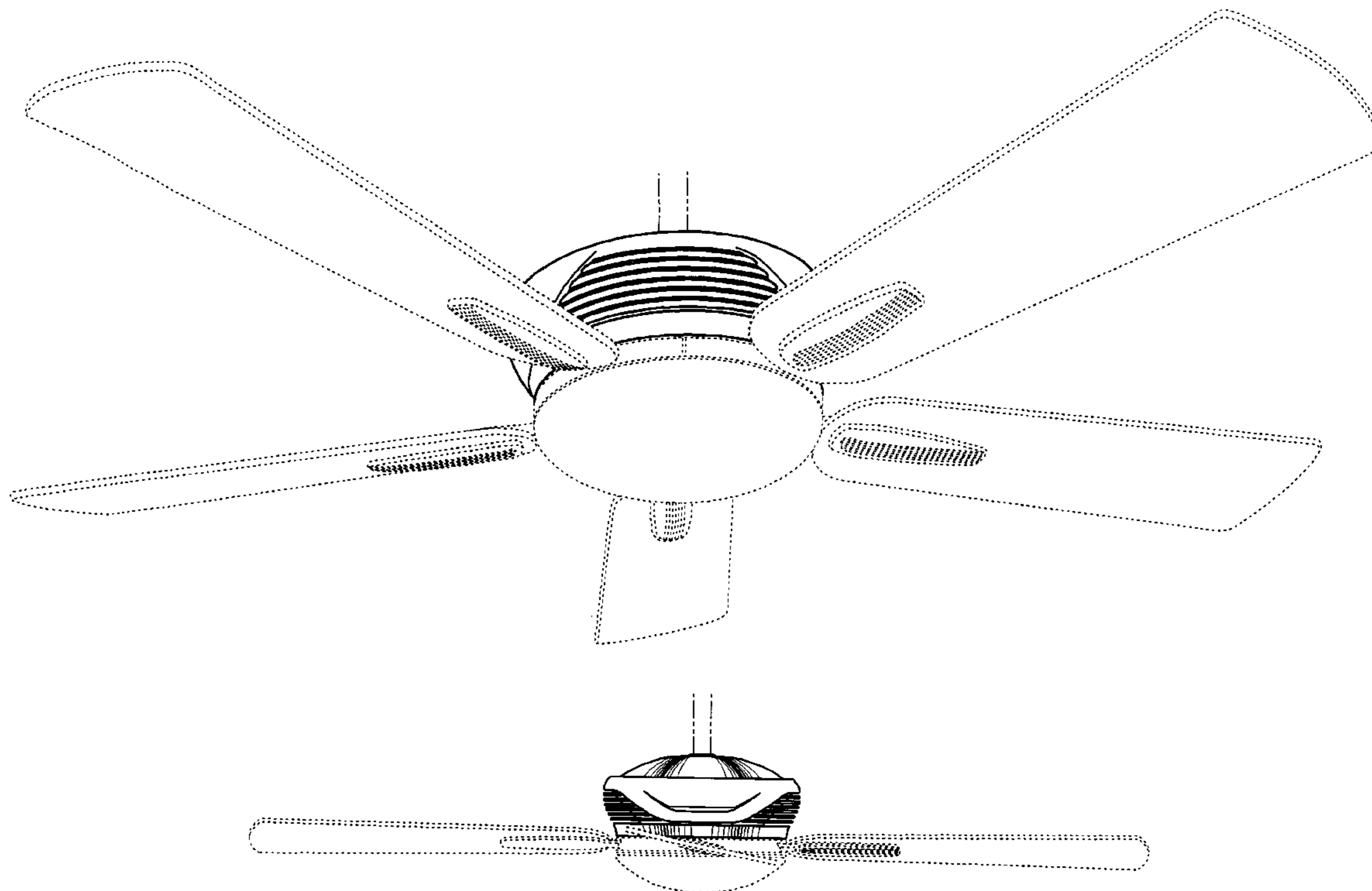
FIG. 4 is a top plan view of the ceiling fan housing on a reduced scale in accordance with my design; and,

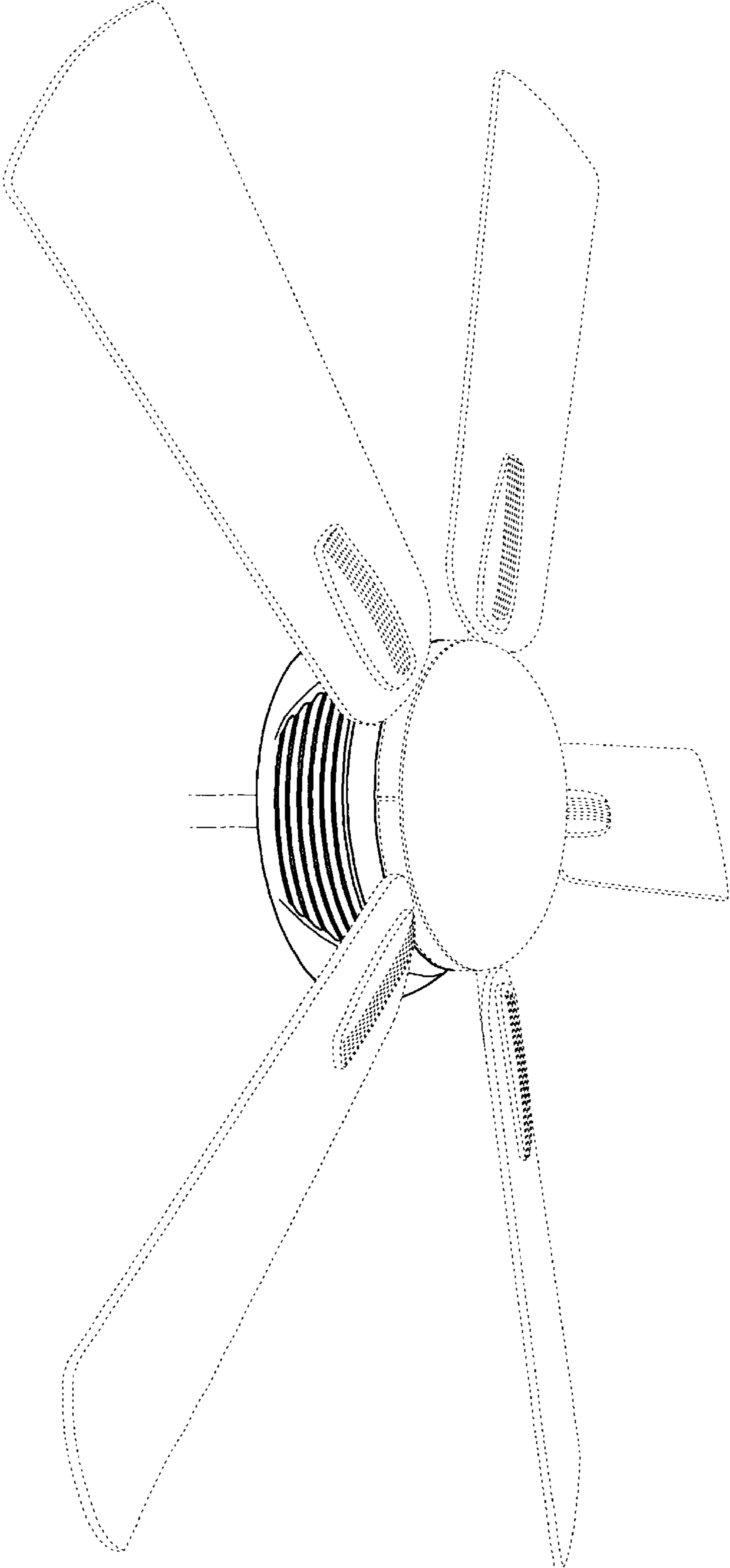
FIG. 5 is a side elevation view of the ceiling fan housing on a reduced scale in accordance with my design.

The broken line showing of environmental structure in FIGS. 1-5 is for illustrative purposes only and forms no part of the claimed design.

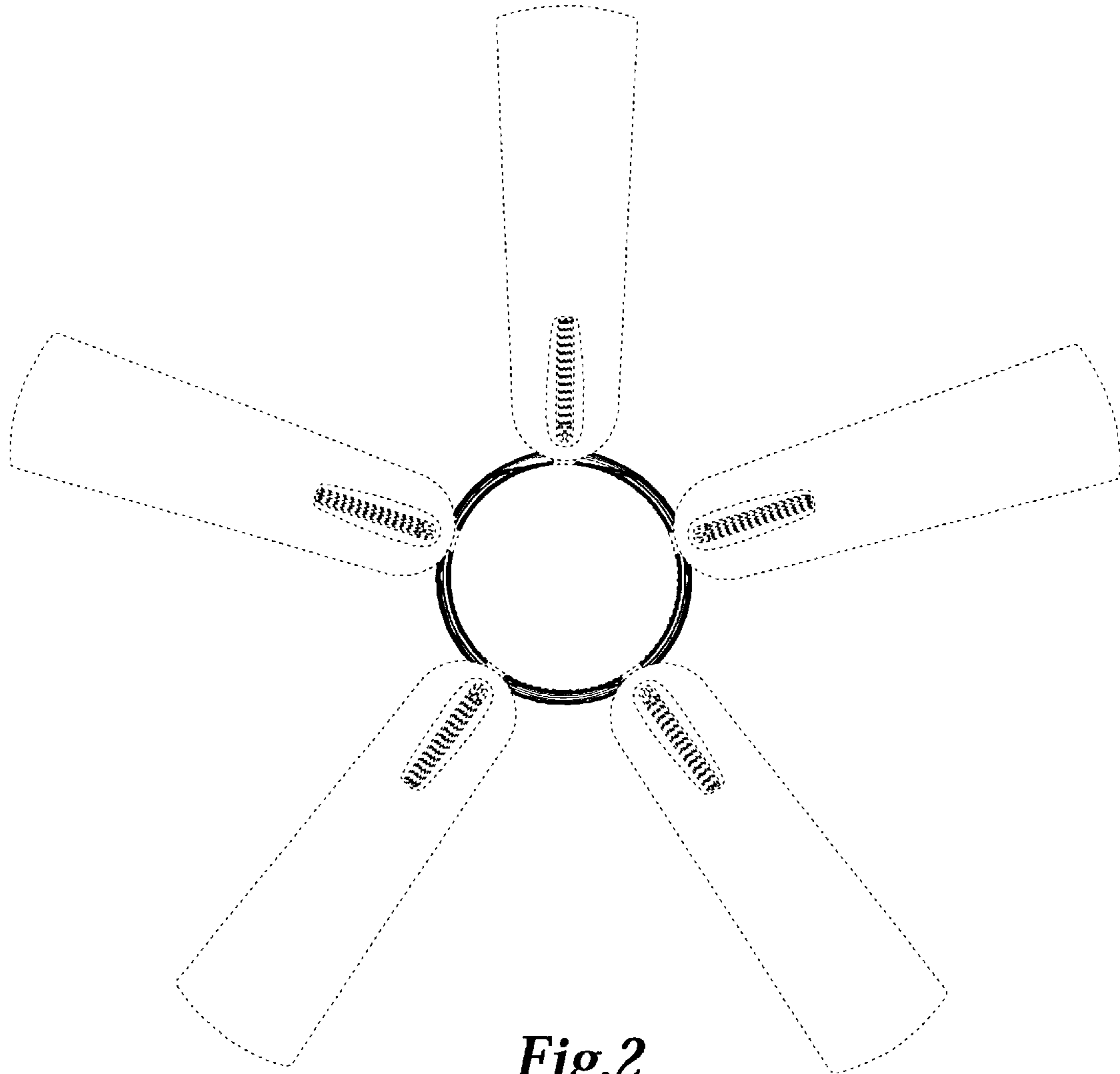
The left and right side elevation views are identical except for the position of the fan blades.

**1 Claim, 3 Drawing Sheets**

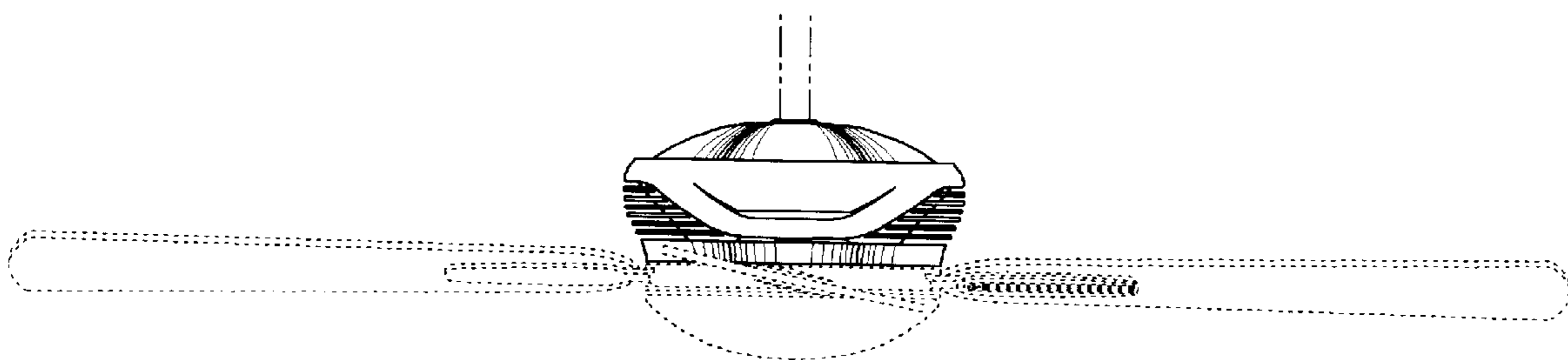




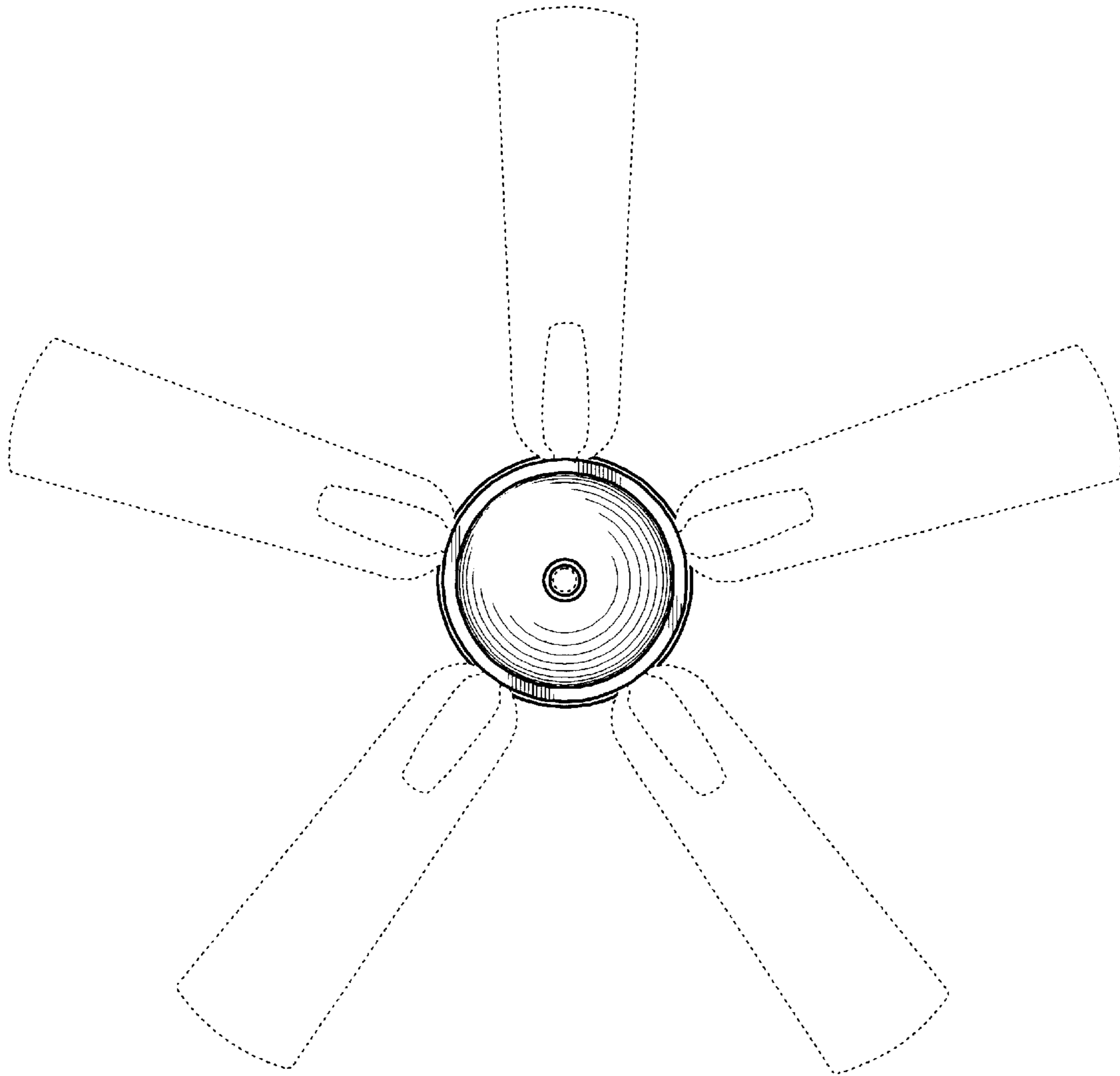
**Fig. 1**



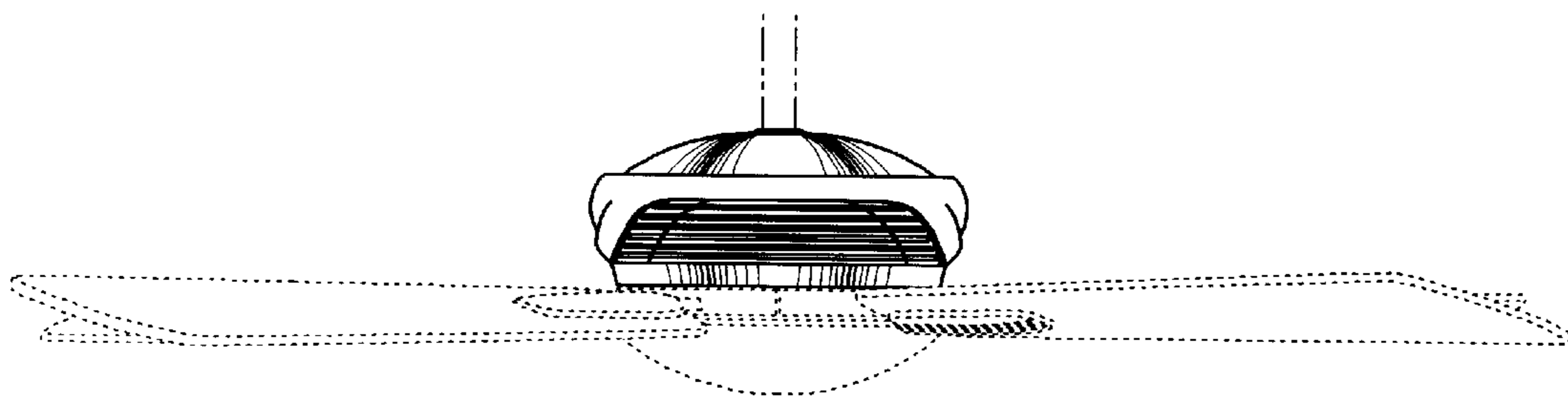
*Fig. 2*



*Fig. 3*



*Fig.4*



*Fig.5*

UNITED STATES PATENT AND TRADEMARK OFFICE  
**CERTIFICATE OF CORRECTION**

PATENT NO. : Des. 493,218 S  
DATED : July 20, 2004  
INVENTOR(S) : Stanfield Young

Page 1 of 1

It is certified that error appears in the above-identified patent and that said Letters Patent is hereby corrected as shown below:

**DESCRIPTION,**

Add after "FIGS. 1-5...claimed design." the following text:

-- The front and back elevation views are identical except for position of the fan blades. --

Signed and Sealed this

Twenty-first Day of September, 2004

A handwritten signature in black ink on a dotted background. The signature reads "Jon W. Dudas" in a cursive style. The "J" is large and loops around the "on". The "W" is written with two distinct peaks. The "D" is a large, rounded letter. The "udas" is written in a smaller, more compact cursive.

JON W. DUDAS

*Director of the United States Patent and Trademark Office*