

US00D493217S1

(12) **United States Design Patent** (10) **Patent No.:** **US D493,217 S**  
**Spina et al.** (45) **Date of Patent:** **\*\* Jul. 20, 2004**

(54) **CEILING FAN** D427,672 S \* 7/2000 Lee ..... D23/377

(76) Inventors: **Italo Spina**, Rua Joly, 359, São Paulo, S.P. (BR); **Charles Matthews**, Industrial Dr., Libertyville, IL (US) 60048

\* cited by examiner

*Primary Examiner*—Lisa Lichtenstein  
(74) *Attorney, Agent, or Firm*—Arent Fox Kintner Plotkin Kahn

(\*\*) Term: **14 Years**

(21) Appl. No.: **29/163,927**

(22) Filed: **Jul. 16, 2002**

(30) **Foreign Application Priority Data**

Jun. 4, 2002 (BR) ..... DI6201503-6

(51) **LOC (7) Cl.** ..... **23-04**

(52) **U.S. Cl.** ..... **D23/377**

(58) **Field of Search** ..... D23/377, 379, D23/385, 411, 413; 416/5; 392/364

(56) **References Cited**

**U.S. PATENT DOCUMENTS**

D426,630 S \* 6/2000 Gajewski ..... D23/377

(57) **CLAIM**

The ornamental design for a ceiling fan, as shown and described.

**DESCRIPTION**

FIG. 1 is a front view of the ceiling fan showing my new design;

FIG. 2 is a side view according to the preceding Figure;

FIG. 3 is a bottom view according to the preceding Figure; and,

FIG. 4 is a perspective view according to the preceding Figure.

**1 Claim, 4 Drawing Sheets**

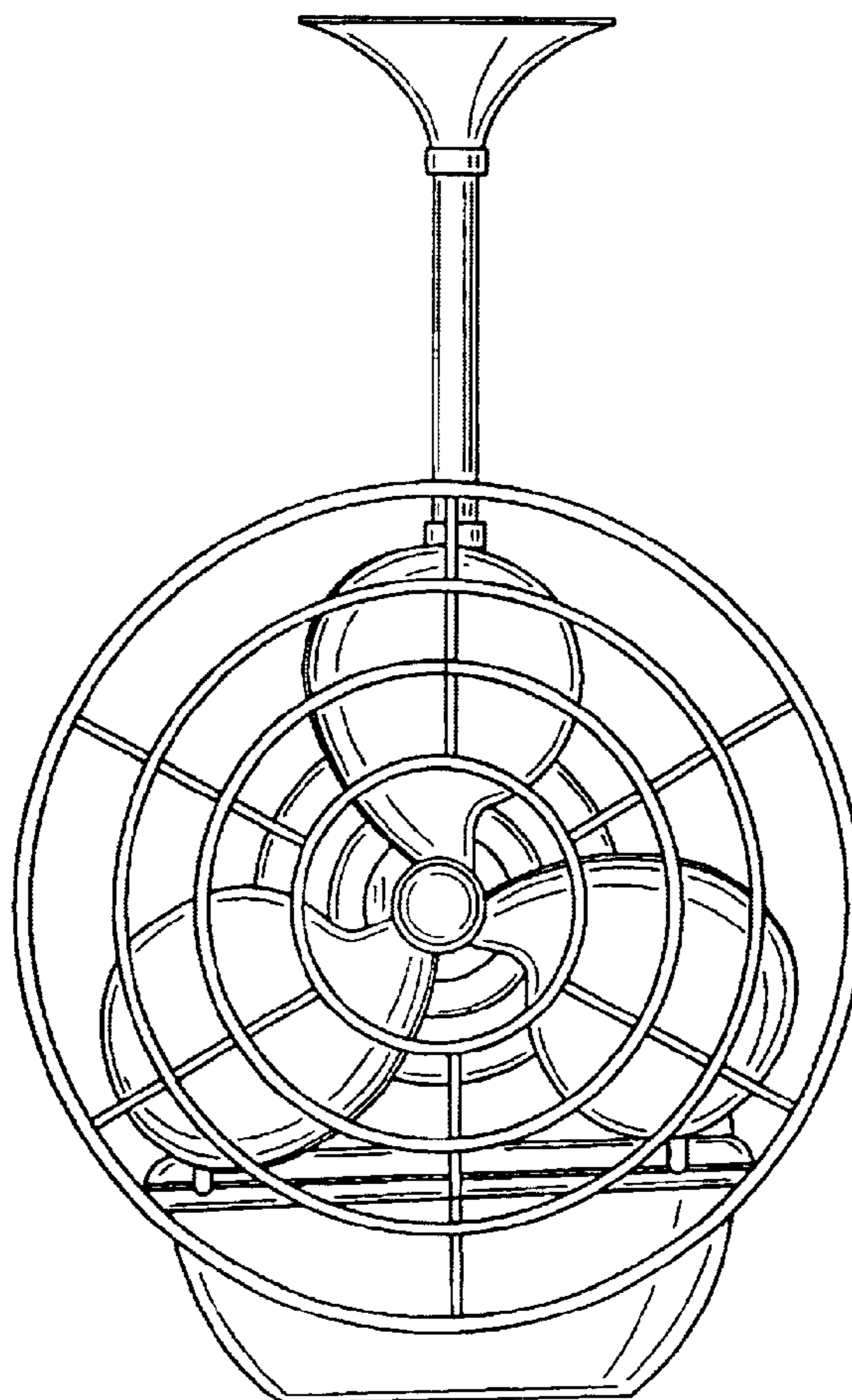
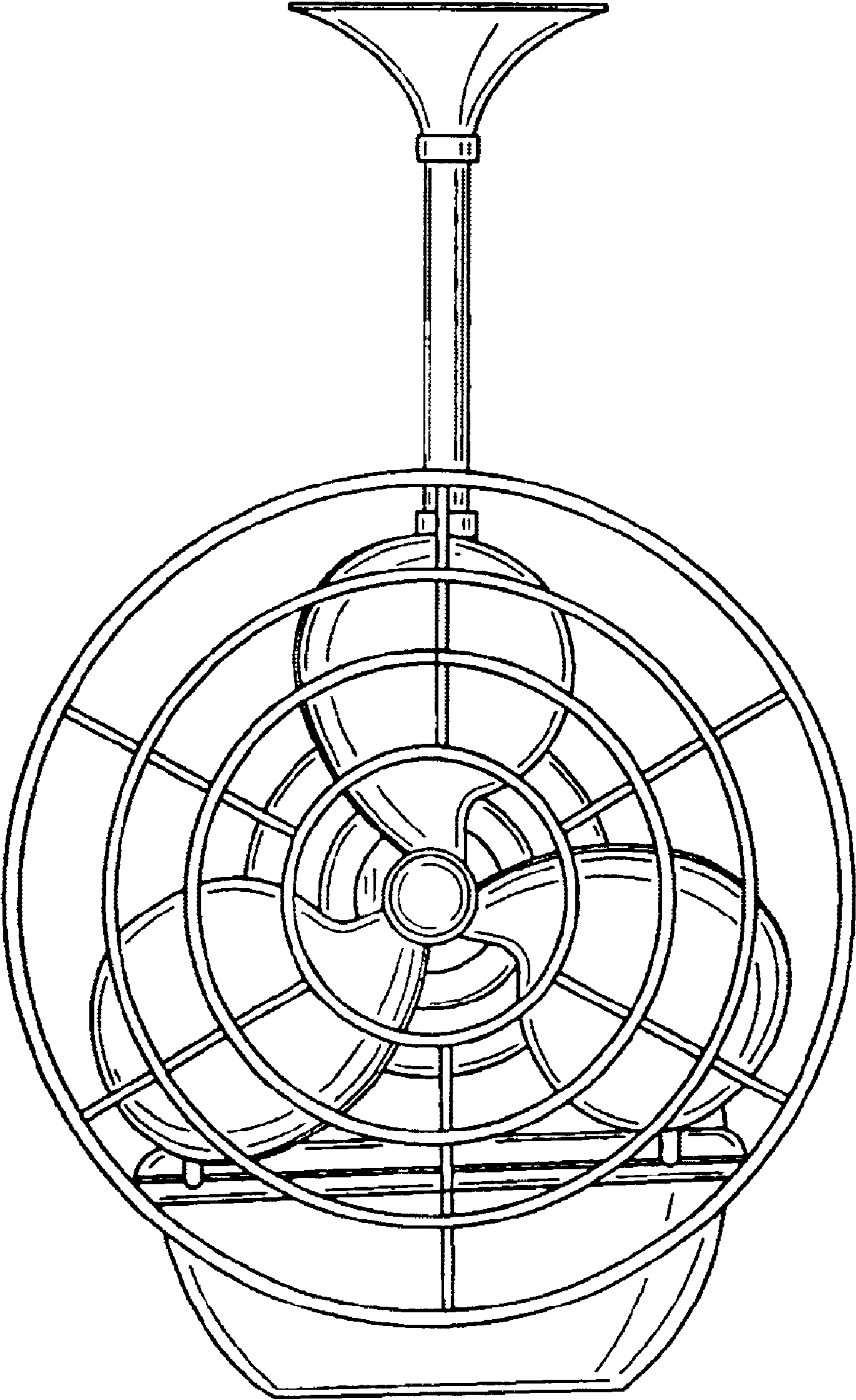


FIG. 1



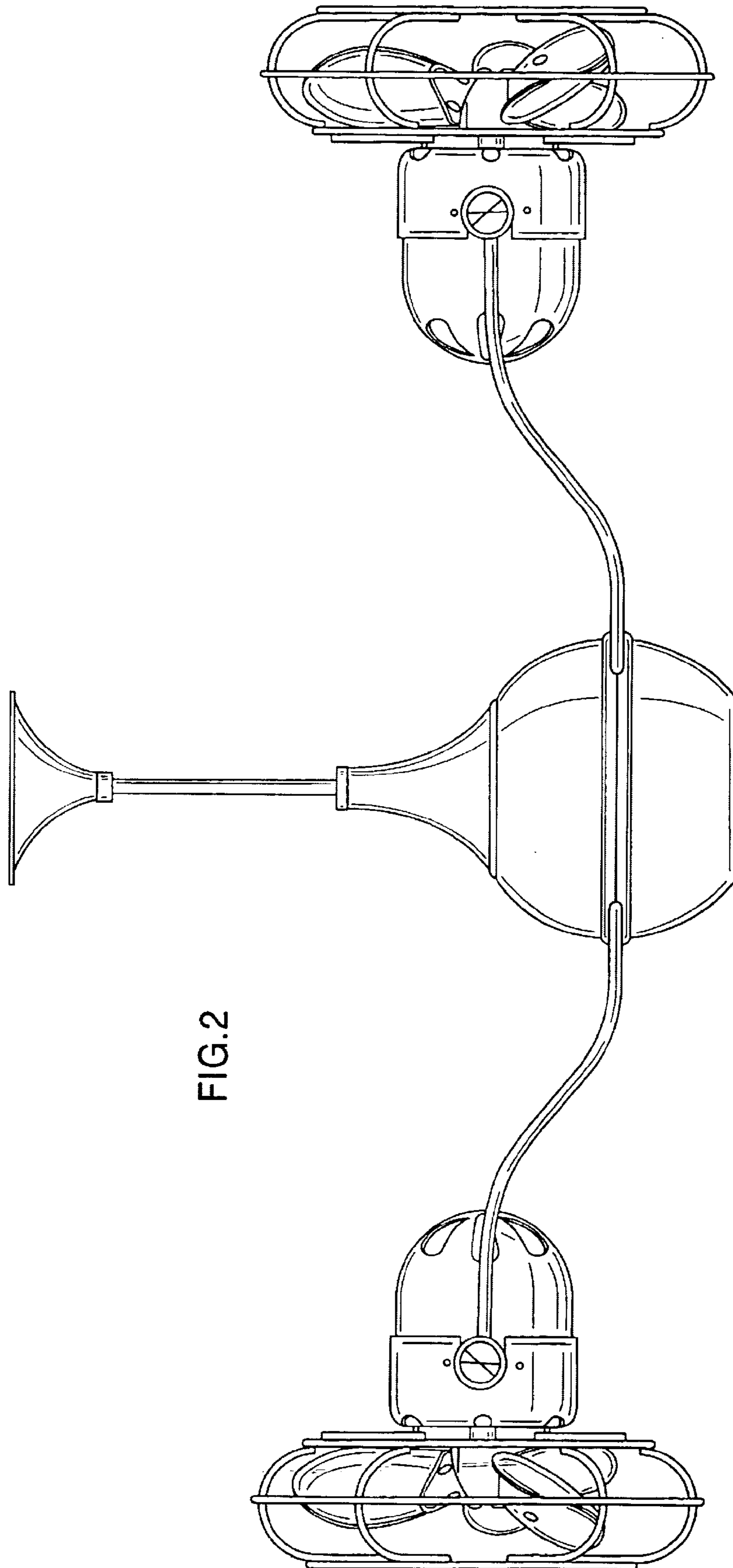


FIG. 2

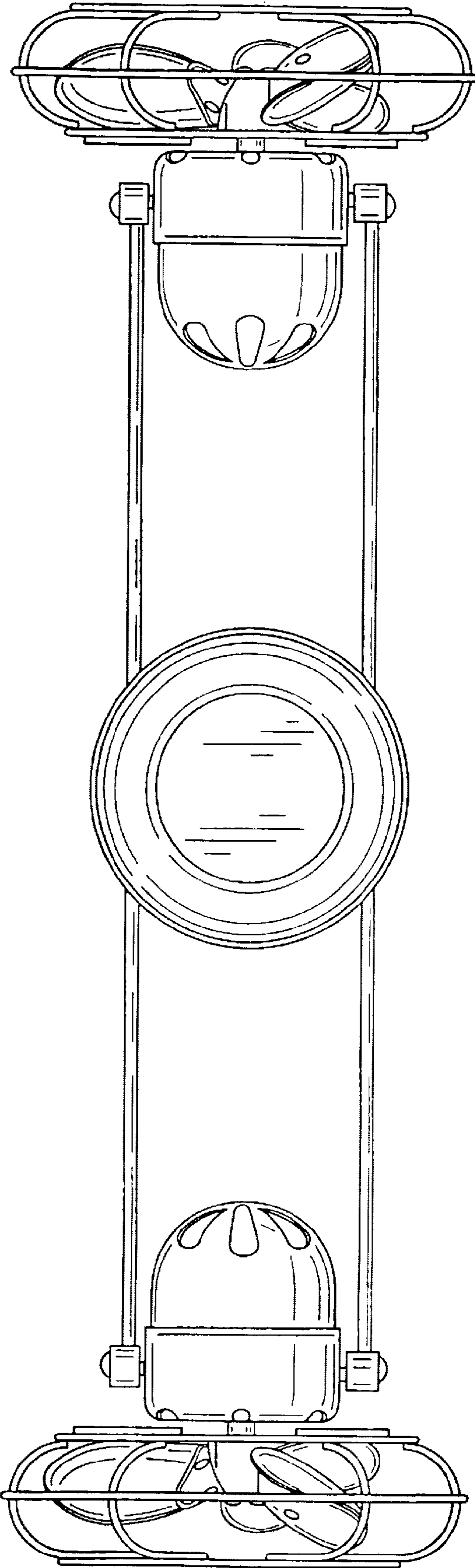


FIG.3

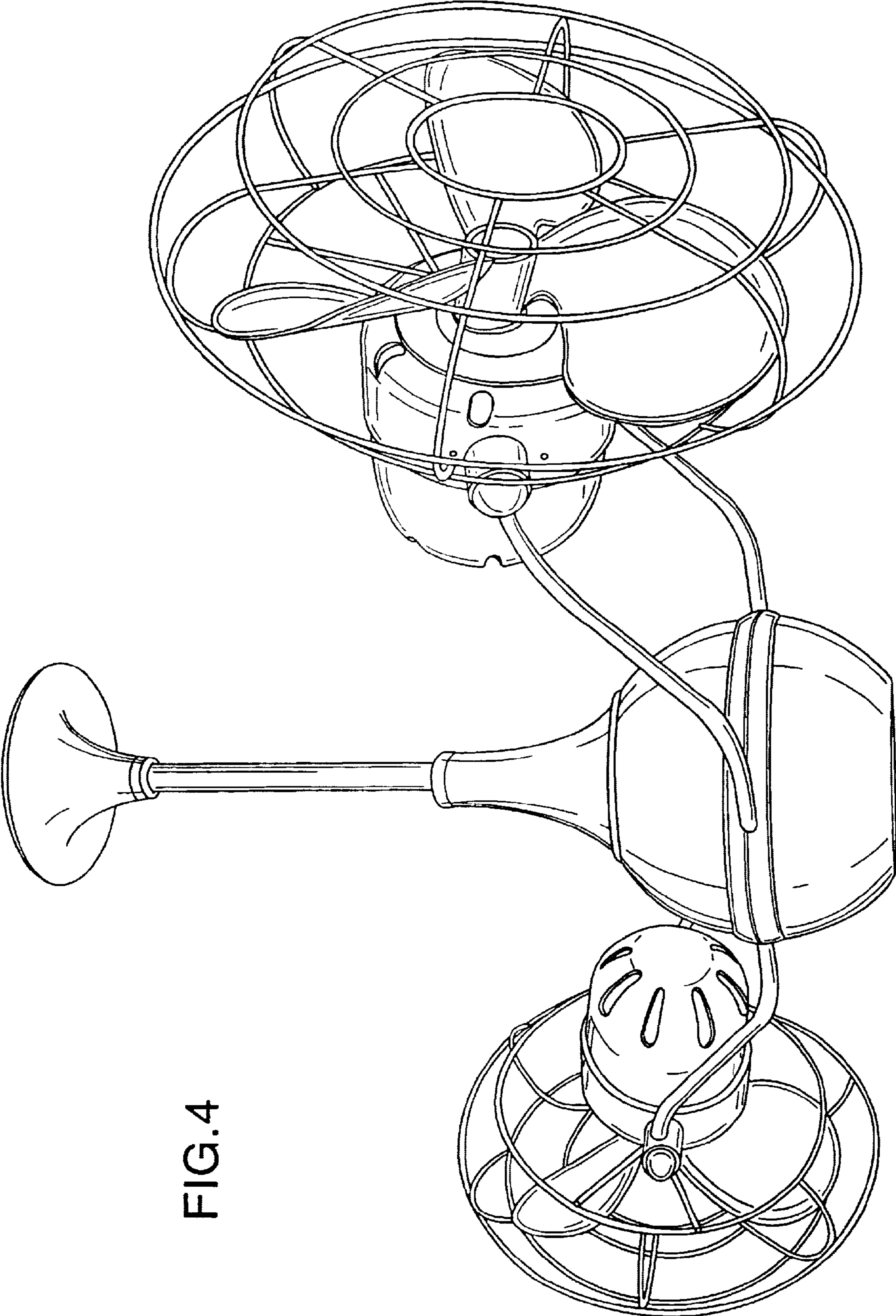


FIG. 4