

US00D493216S1

(12) **United States Design Patent**
Wu et al.

(10) **Patent No.:** **US D493,216 S**
(45) **Date of Patent:** **** Jul. 20, 2004**

(54) **WHEEL BLADE**

6,547,540 B1 * 4/2003 Horng et al. 417/423.14
6,587,341 B1 * 7/2003 Wei 361/695

(75) Inventors: **Hsiu-Wei Wu**, Taipei (TW); **Chun-Che Chiu**, Taipei (TW); **Heng-Yi Chen**, Chiai (TW); **Chin-Fu Lee**, Changhua (TW)

* cited by examiner

Primary Examiner—Antoine D. Davis
(74) *Attorney, Agent, or Firm*—Birch, Stewart, Kolasch & Birch, LLP

(73) Assignee: **Delta Electronics, Inc.**, Taoyuan Hsien (TW)

(57) **CLAIM**

(**) Term: **14 Years**

The ornamental design for a wheel blade, as shown and described herein.

(21) Appl. No.: **29/188,135**

(22) Filed: **Aug. 14, 2003**

DESCRIPTION

(51) **LOC (7) Cl.** **23-04**

(52) **U.S. Cl.** **D23/370**

(58) **Field of Search** D23/370, 411;
361/695; 416/53.1, 197, 243, 197 R; 415/61,
175

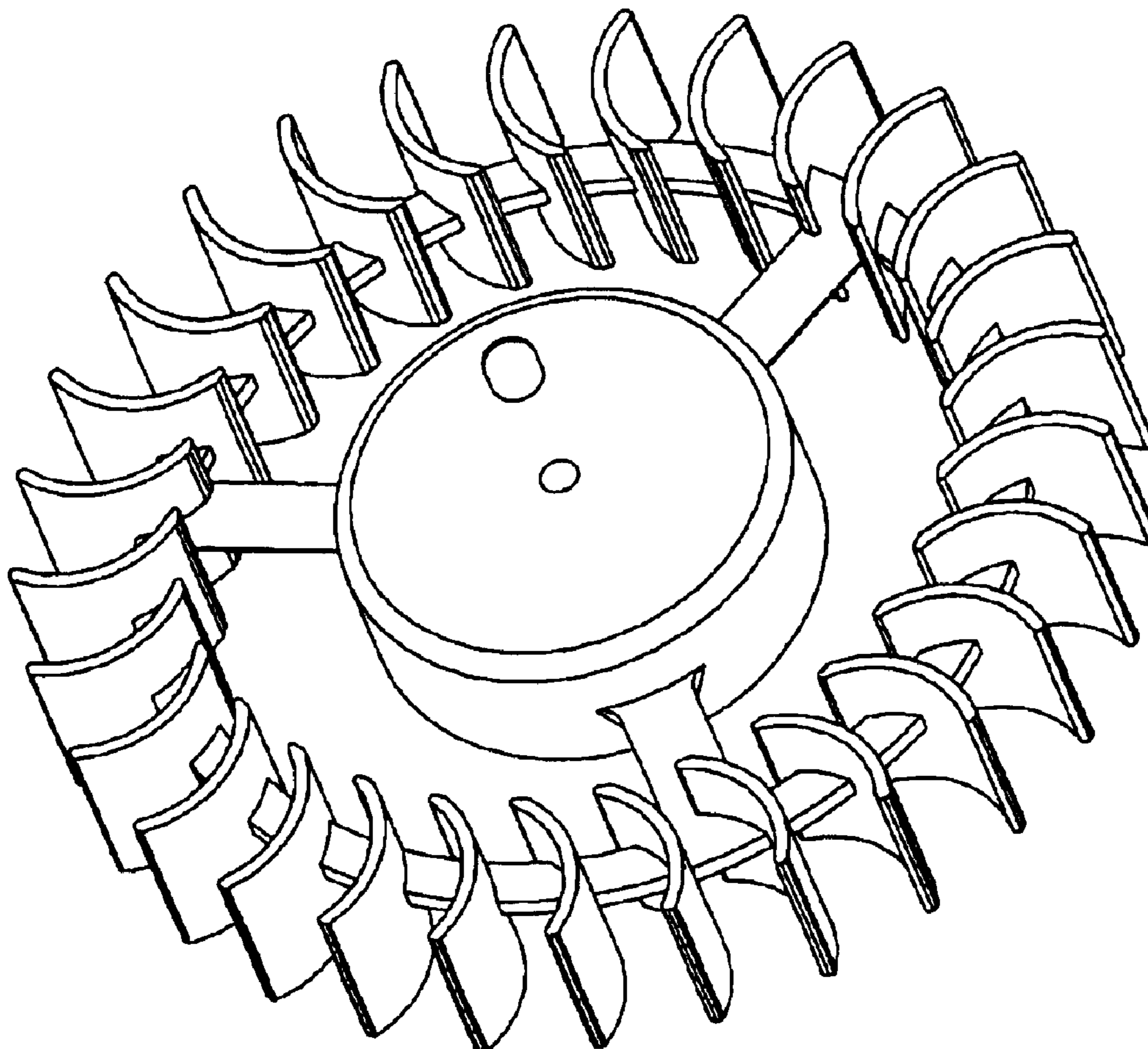
FIG. 1 is a perspective view of a wheel blade;
FIG. 2 is a right side elevational view thereof;
FIG. 3 is a top plane view thereof;
FIG. 4 is a front elevational view thereof;
FIG. 5 is a bottom plane view thereof;
FIG. 6 is a left side elevational view thereof; and,
FIG. 7 is a rear elevational view thereof.

(56) **References Cited**

U.S. PATENT DOCUMENTS

6,525,939 B2 * 2/2003 Liang et al. 361/697

1 Claim, 4 Drawing Sheets



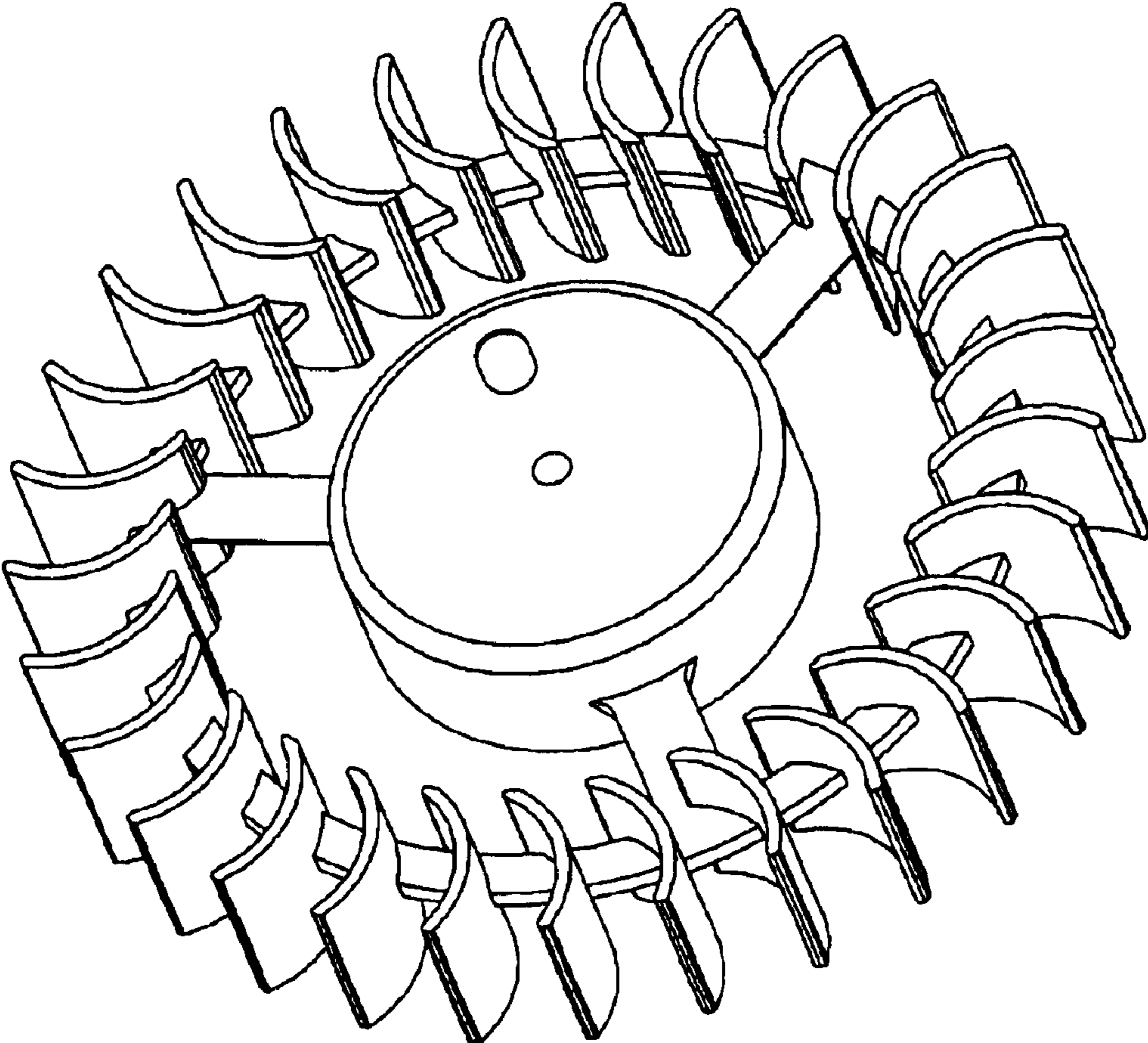


Fig. 1

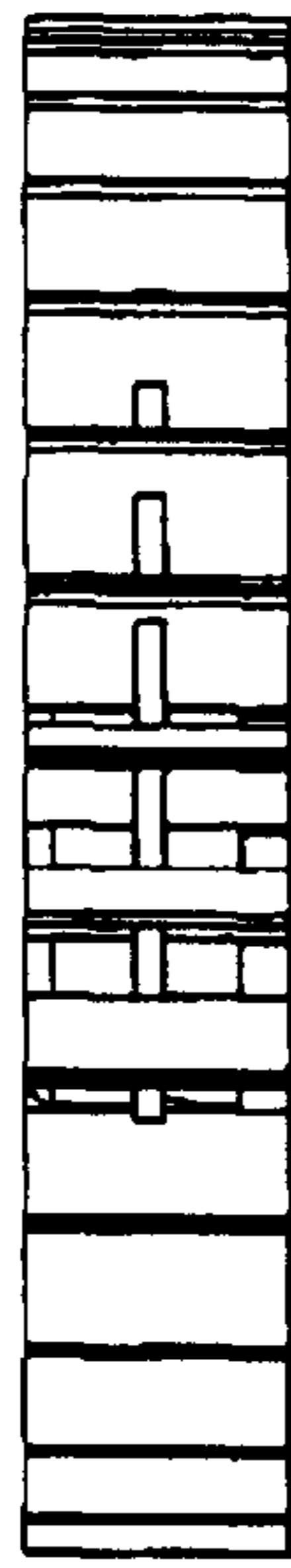


Fig. 2

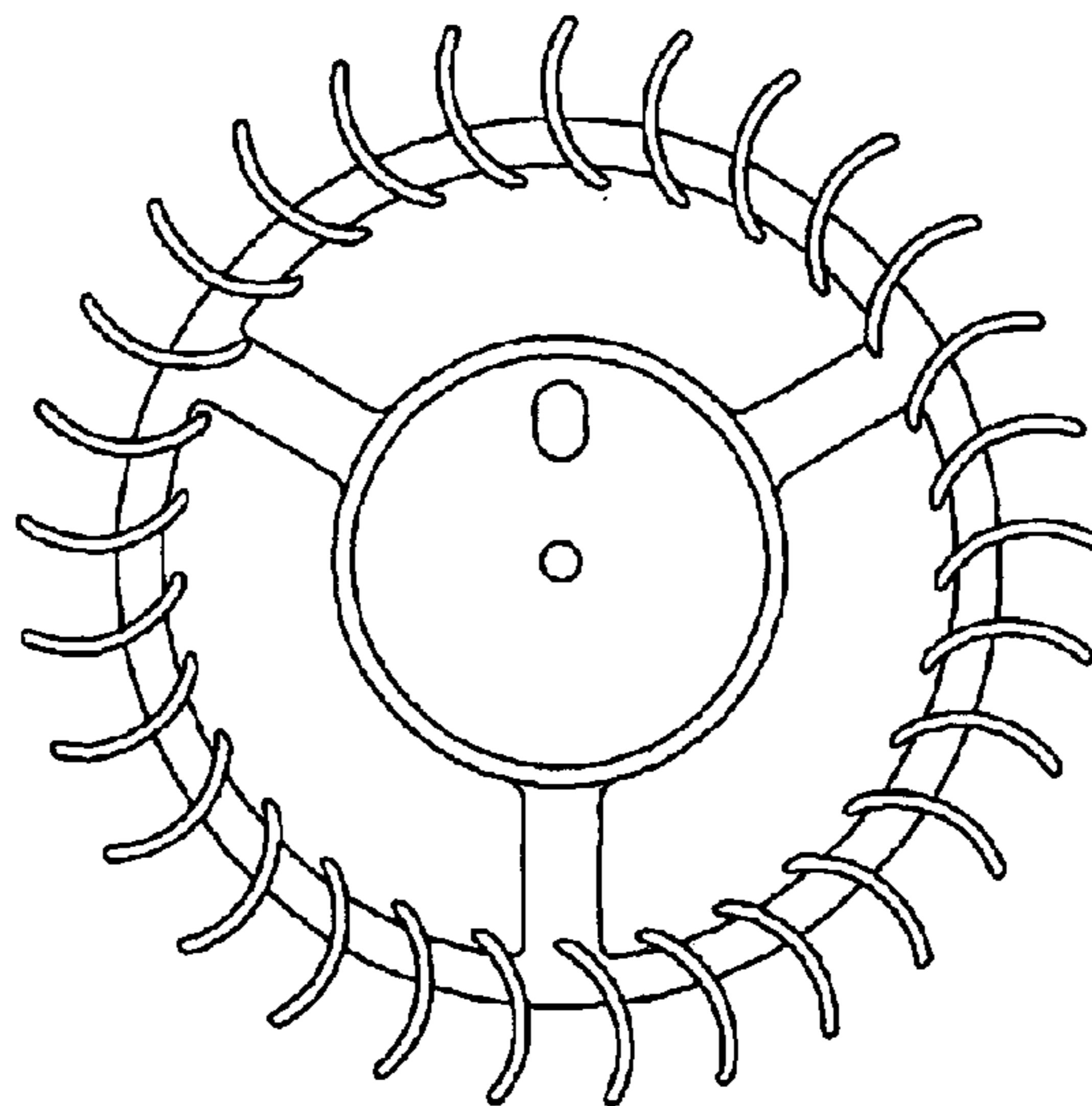


Fig. 3

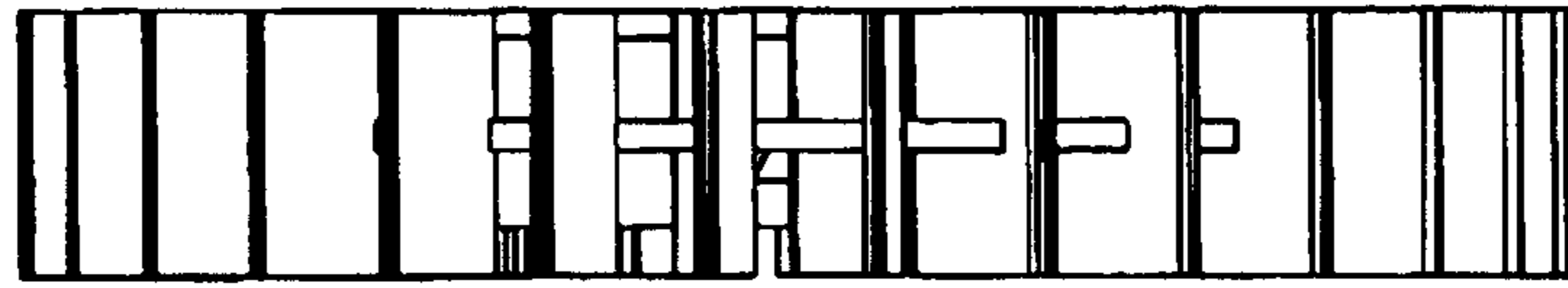


Fig. 4

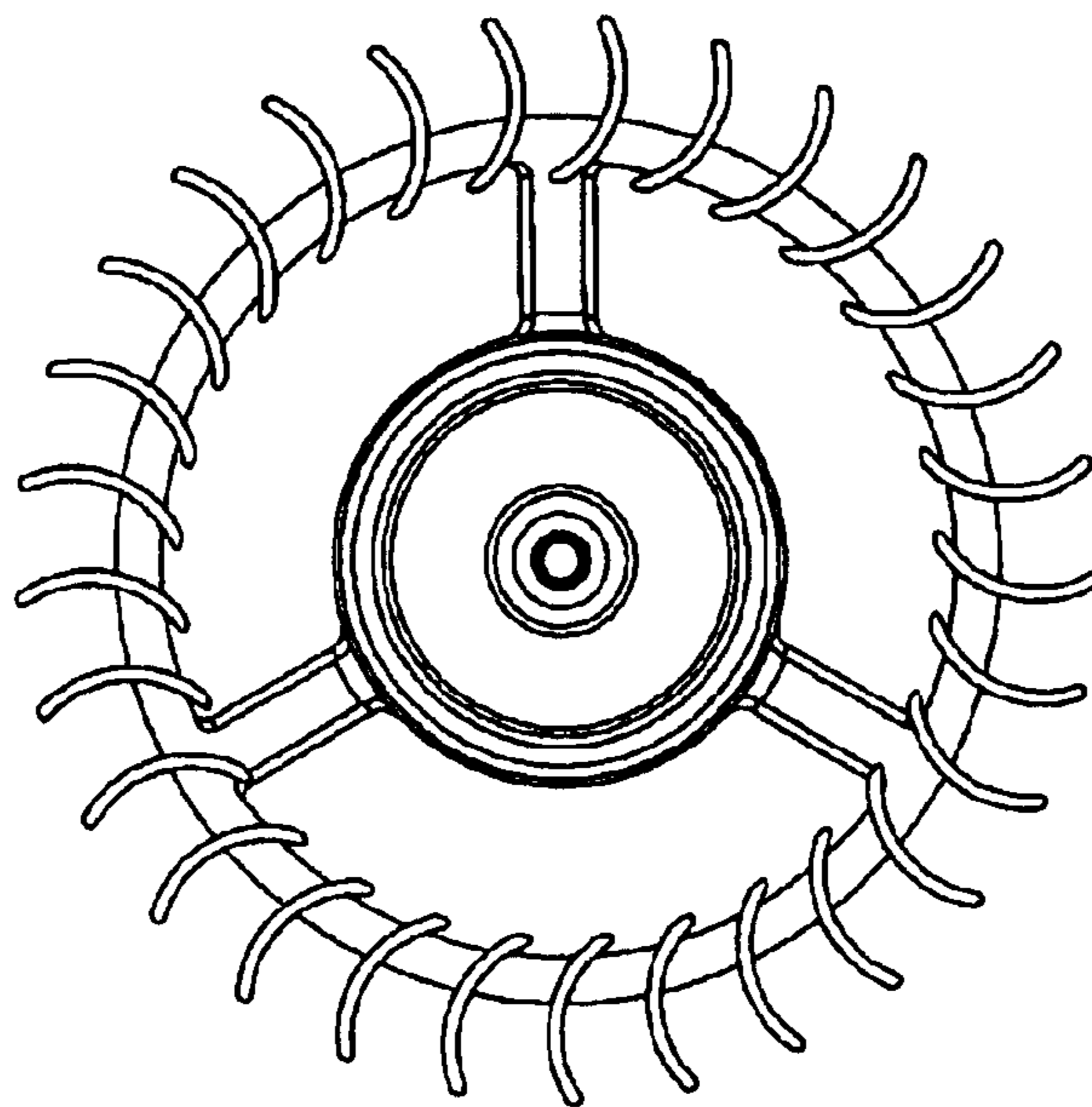


Fig. 5

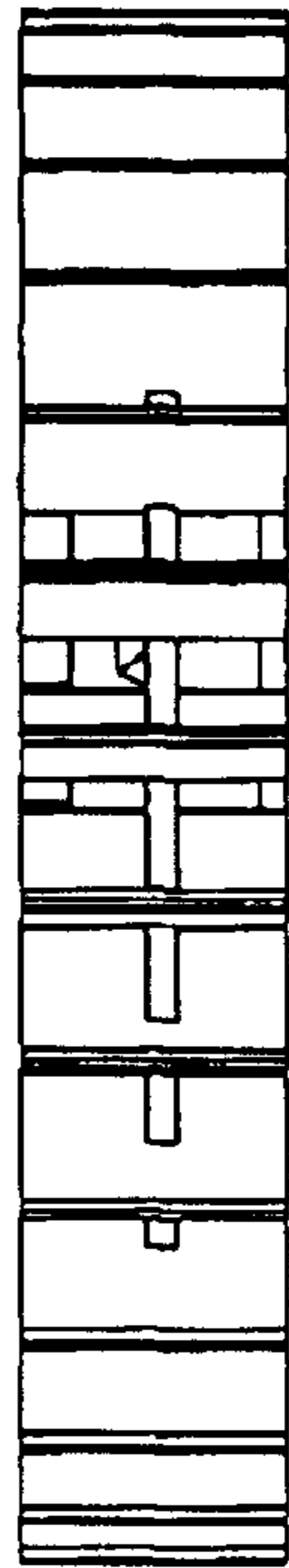


Fig. 6

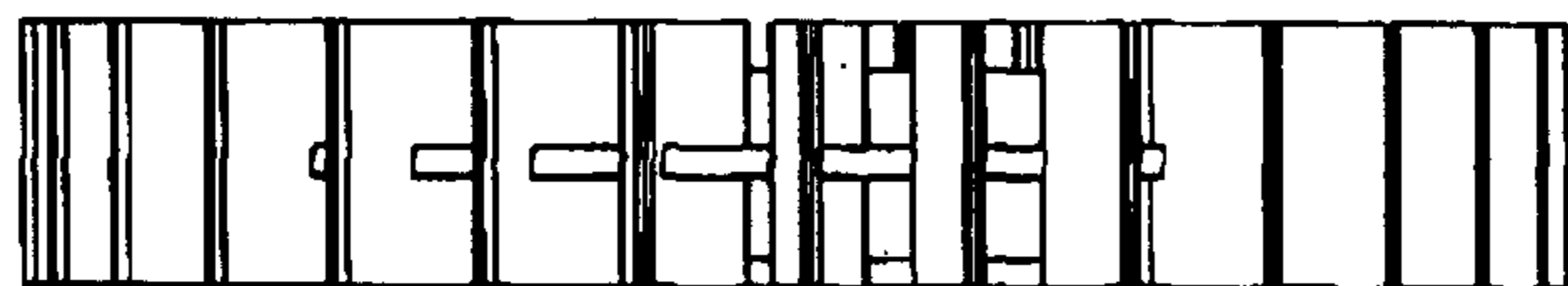


Fig. 7