

US00D493215S1

(12) **United States Design Patent**
Asaoka et al.

(10) **Patent No.: US D493,215 S**
(45) **Date of Patent: ** Jul. 20, 2004**

(54) **EXTERIOR UNIT FOR AN AIR
CONDITIONER**

(75) Inventors: **Hiroshi Asaoka, Tokyo (JP); Yutaka
Nikaido, Tokyo (JP)**

(73) Assignee: **Mitsubishi Denki Kabushiki Kaisha,
Tokyo (JP)**

(**) Term: **14 Years**

(21) Appl. No.: **29/186,887**

(22) Filed: **Jul. 24, 2003**

(30) **Foreign Application Priority Data**

Apr. 23, 2003 (JP) 2003-011515

(51) **LOC (7) Cl. 23-04**

(52) **U.S. Cl. D23/351**

(58) **Field of Search** D23/351-54, 333;
312/236; 454/201-204; 62/259.1, 259.4,
262-63, 304, 324.1, DIG. 16

(56) **References Cited**

U.S. PATENT DOCUMENTS

D371,599 S * 7/1996 Nanjo D23/351
5,775,119 A * 7/1998 Yamada et al. 62/259.1

D403,757 S * 1/1999 Aketa et al. D23/351
D414,253 S * 9/1999 Kobayashi et al. D23/351
D437,399 S * 2/2001 Nonaka D23/351
D443,349 S * 6/2001 Nonaka D23/351
D463,540 S * 9/2002 Kammer et al. D23/351

* cited by examiner

Primary Examiner—Brian N Vinson

(74) *Attorney, Agent, or Firm*—Oblon, Spivak, McClelland,
Maier & Neustadt, P.C.

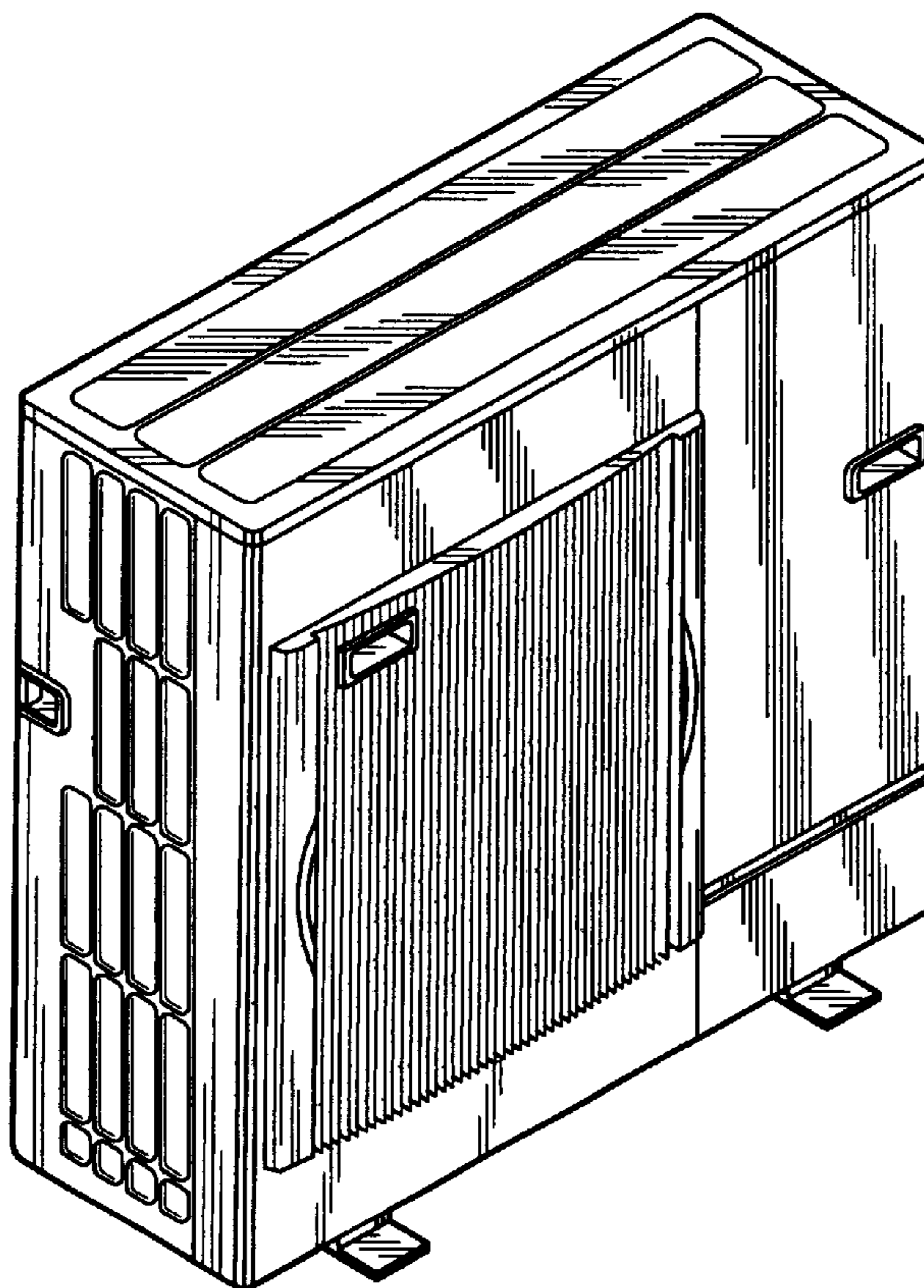
(57) **CLAIM**

The ornamental design for an exterior unit for an air con-
ditioner, as shown and described.

DESCRIPTION

FIG. 1 is a front, top and left side perspective view of an
exterior unit for an air conditioner, showing our new design;
FIG. 2 is a front elevational view thereof;
FIG. 3 is a rear elevational view thereof;
FIG. 4 is a top plan view thereof;
FIG. 5 is a bottom plan view thereof;
FIG. 6 is a left side elevational view thereof;
FIG. 7 is a right side elevational view thereof; and,
FIG. 8 is an enlarged cross-sectional view thereof, taken
along line 8—8 of FIG. 2, with the internal system omitted.

1 Claim, 4 Drawing Sheets



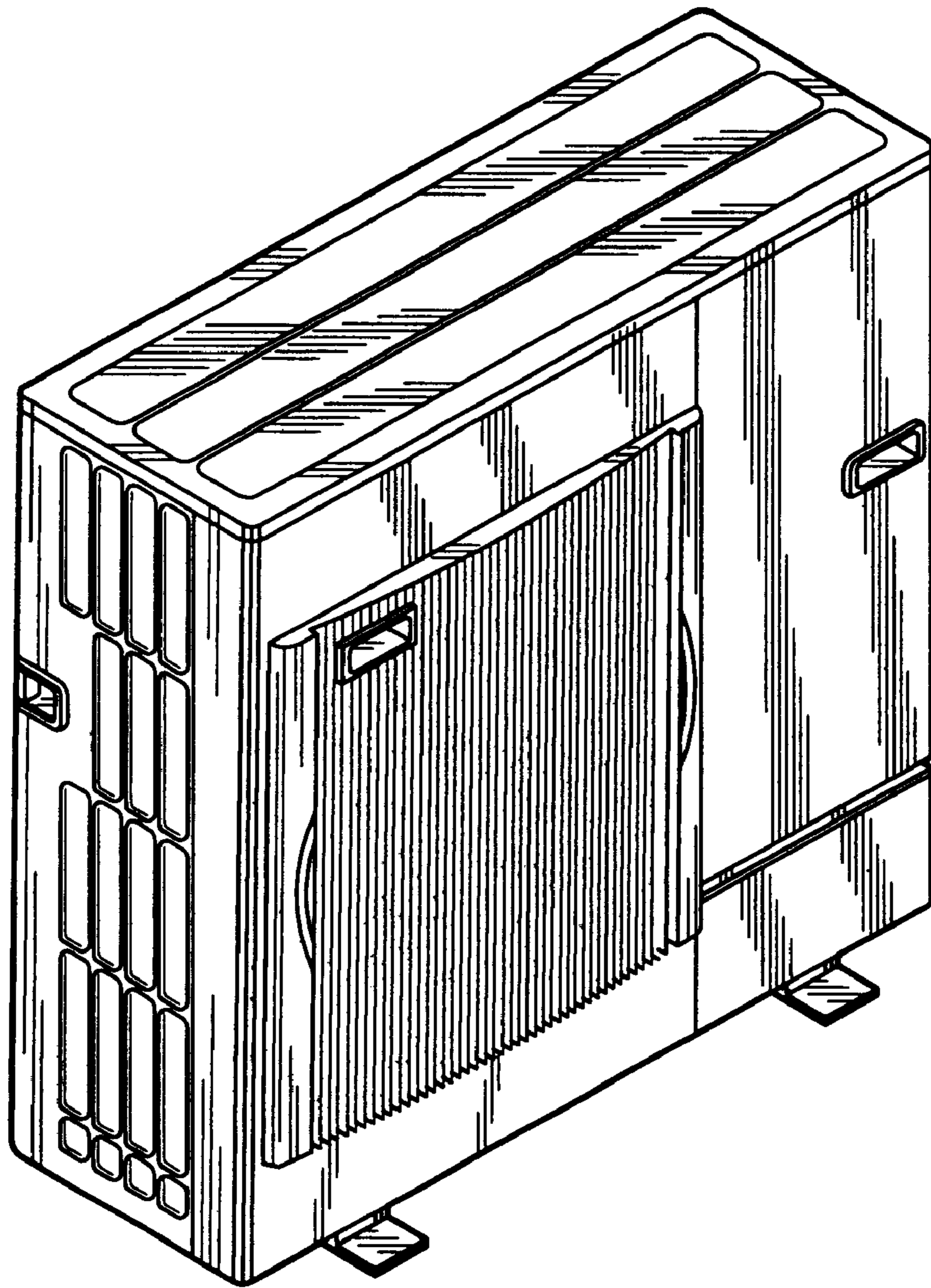


FIG. 1

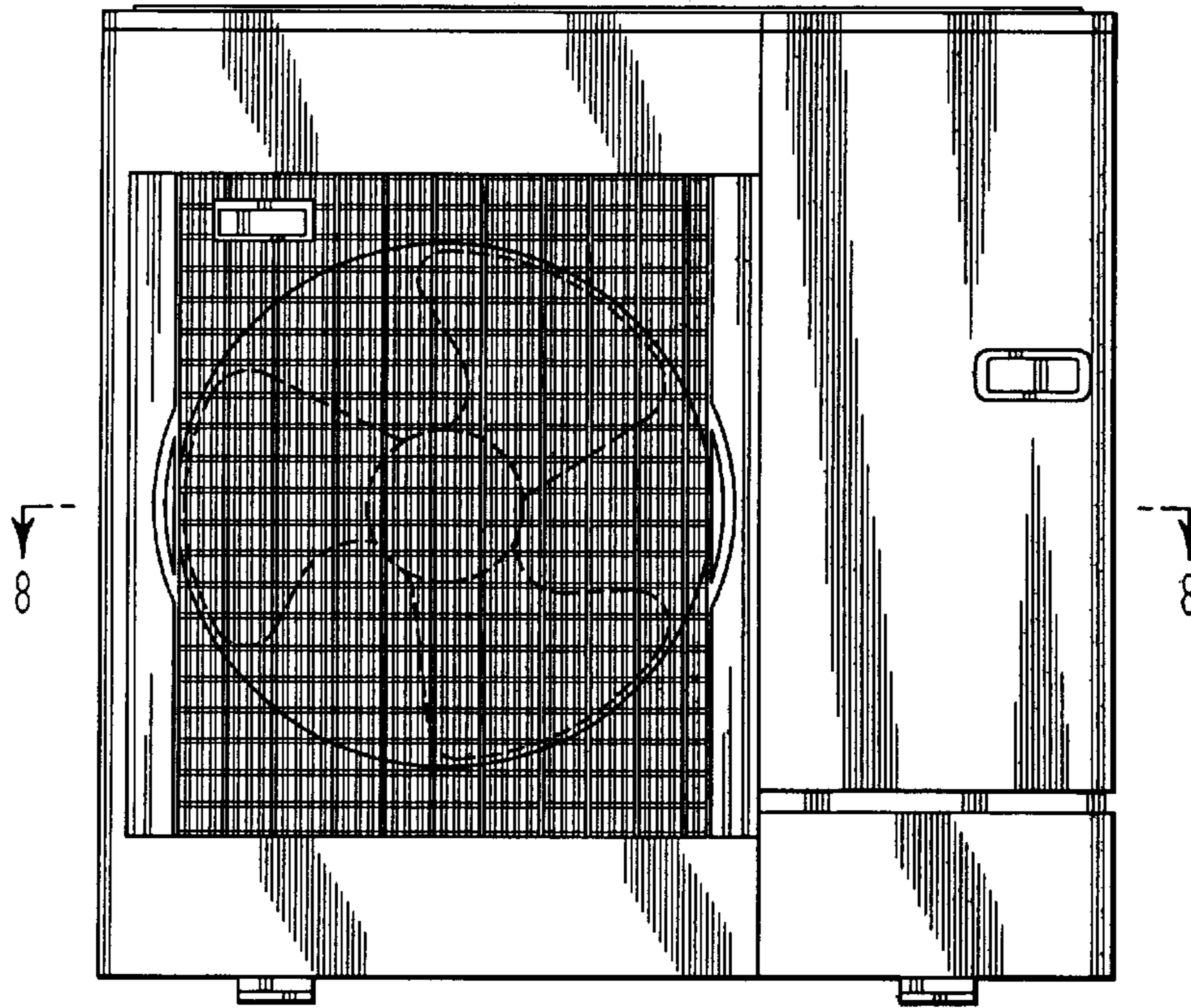


FIG. 2

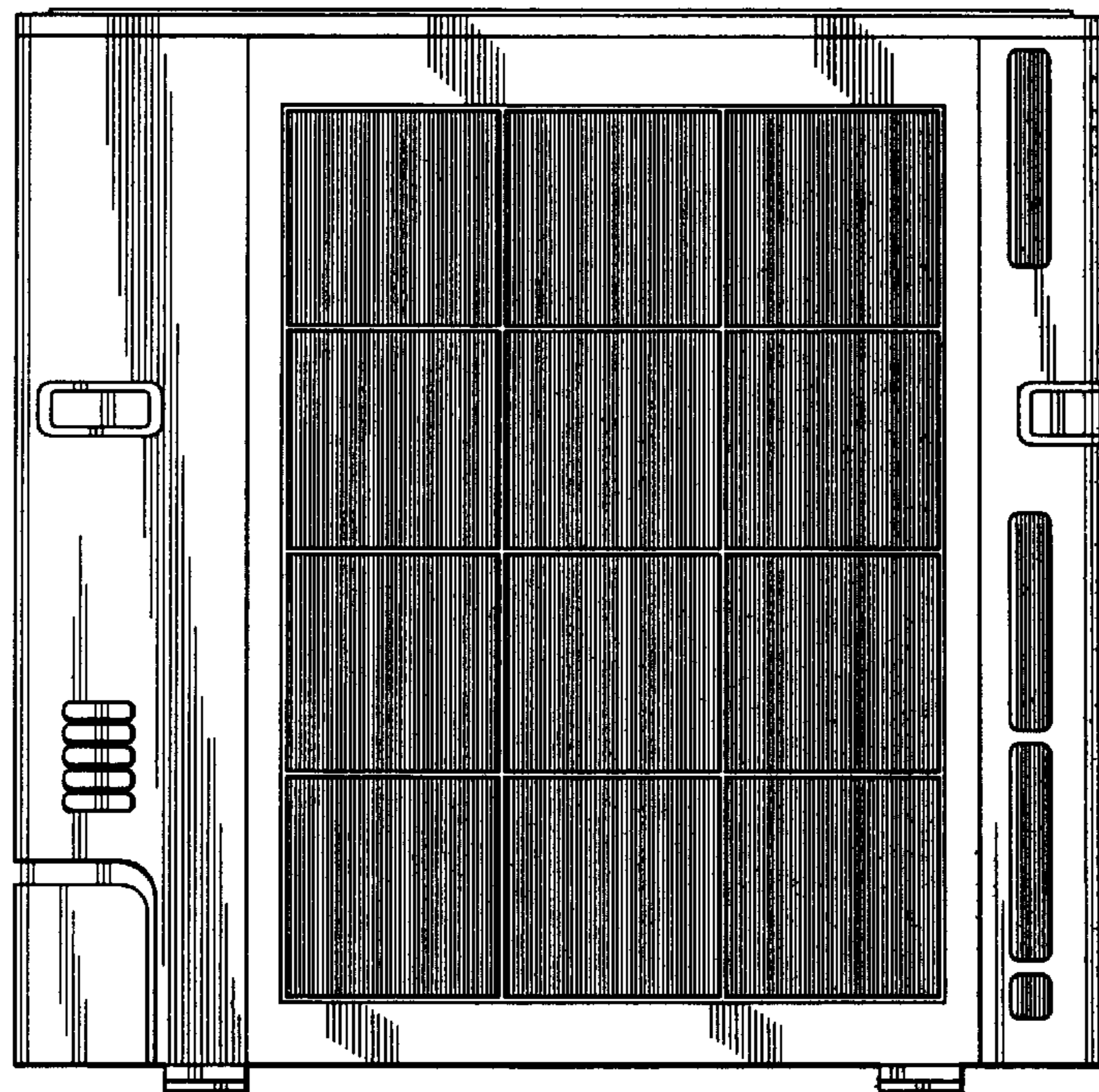


FIG. 3

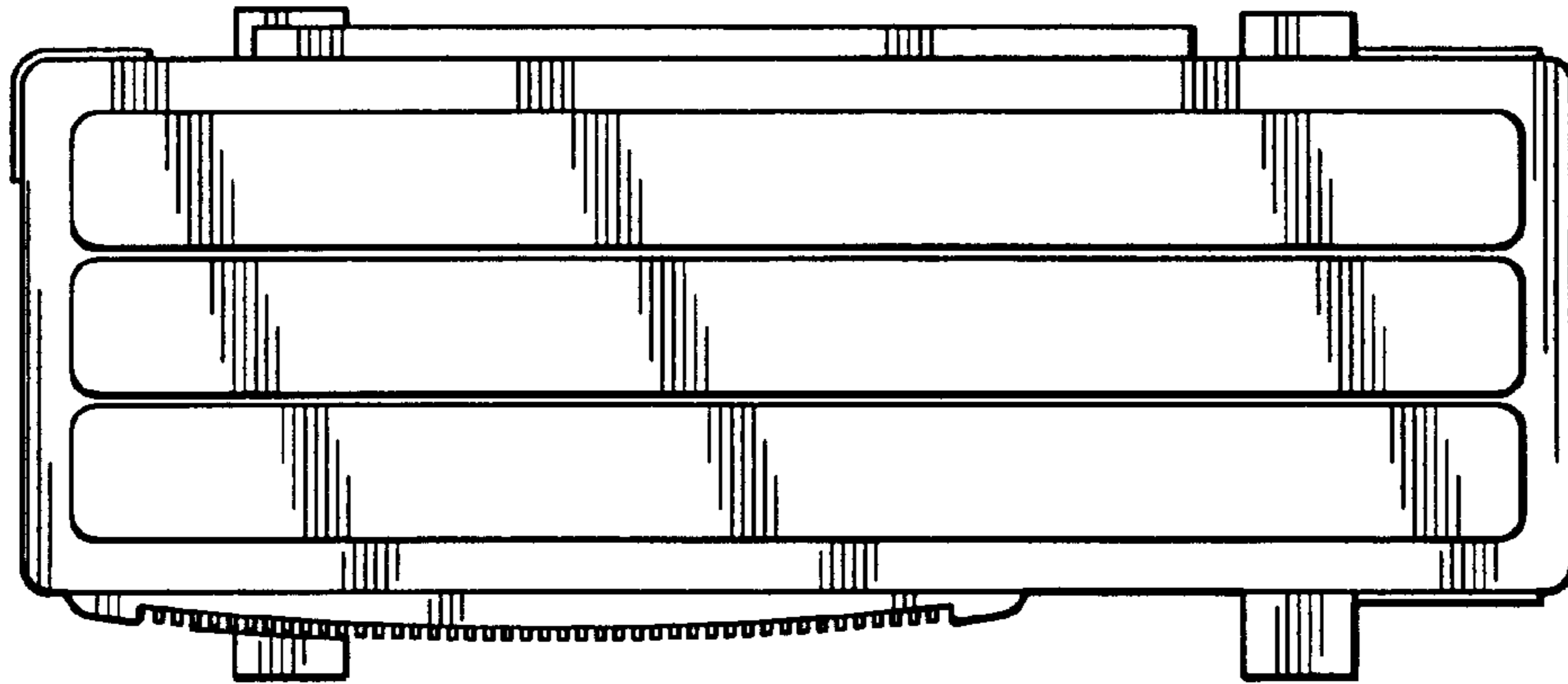


FIG. 4

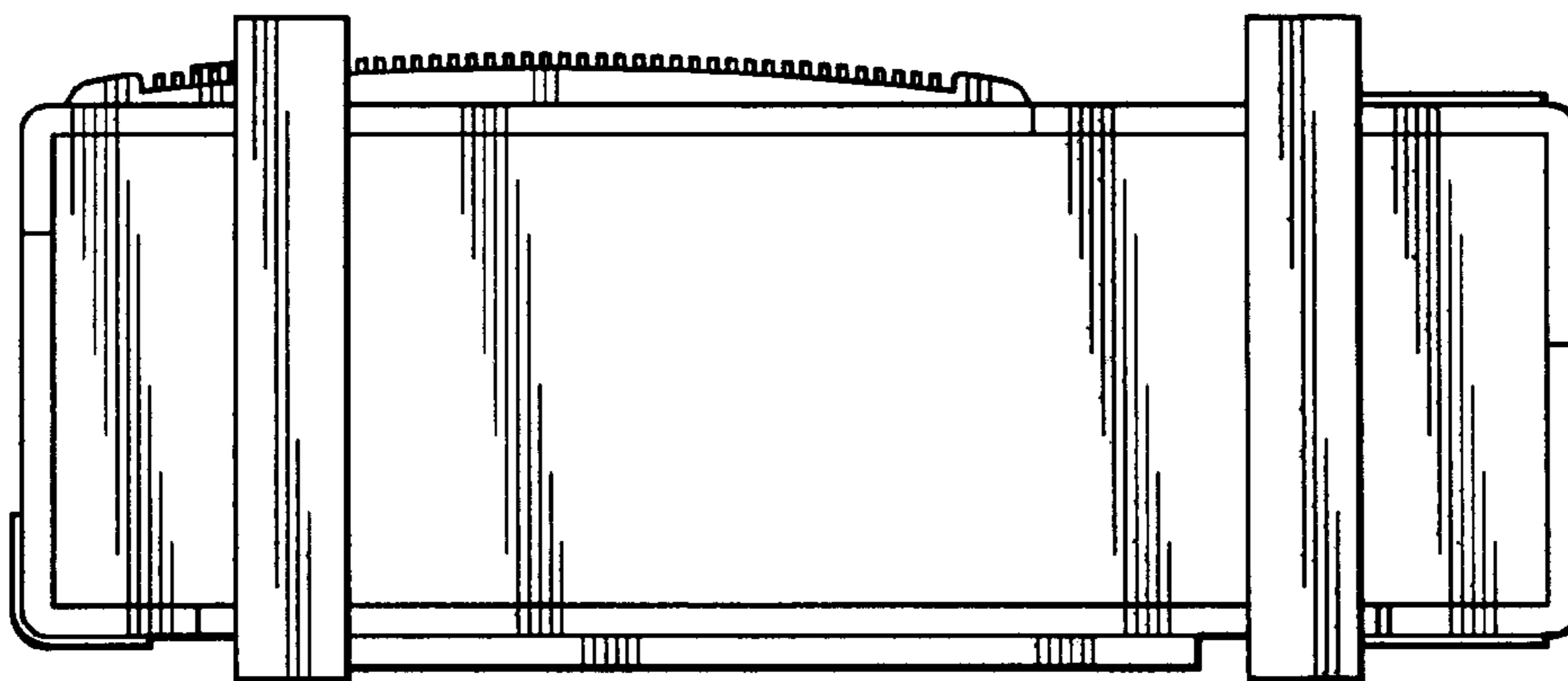


FIG. 5

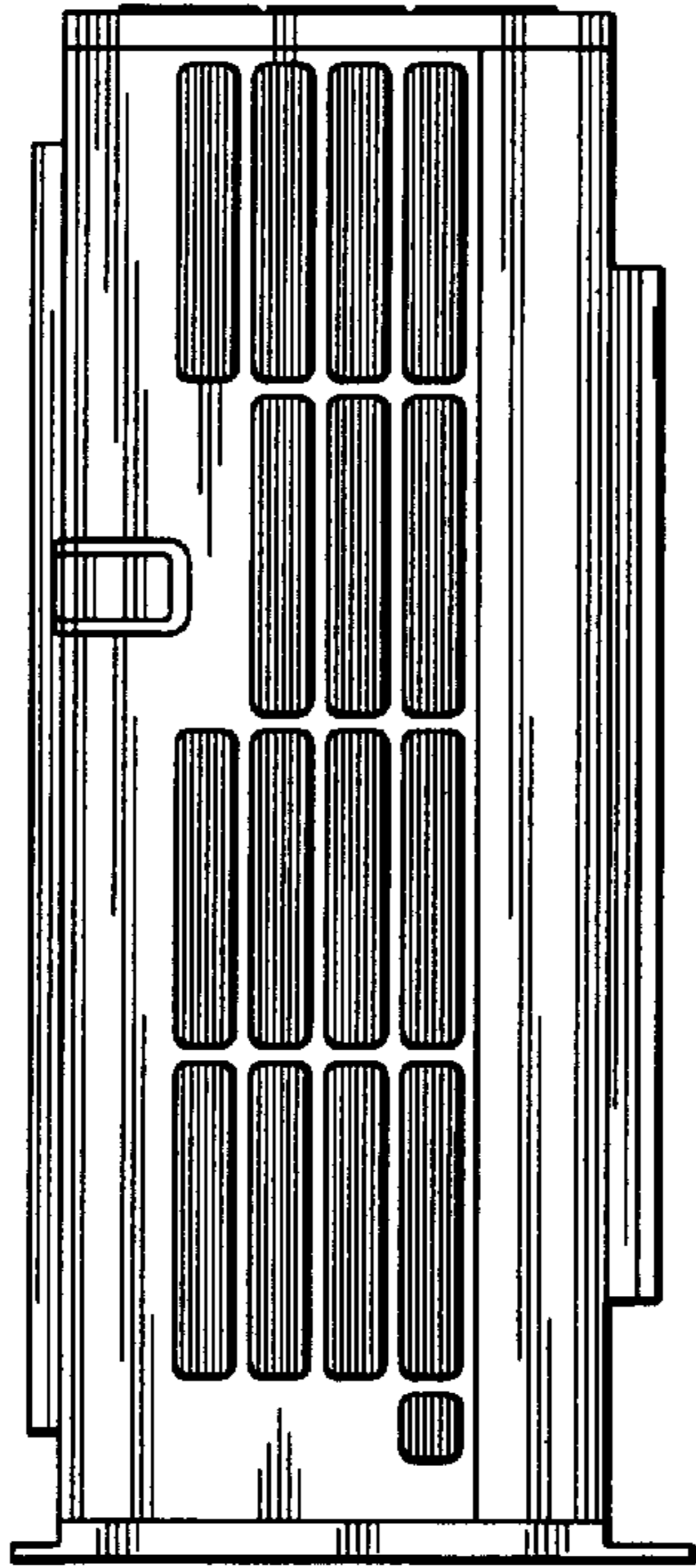


FIG. 6

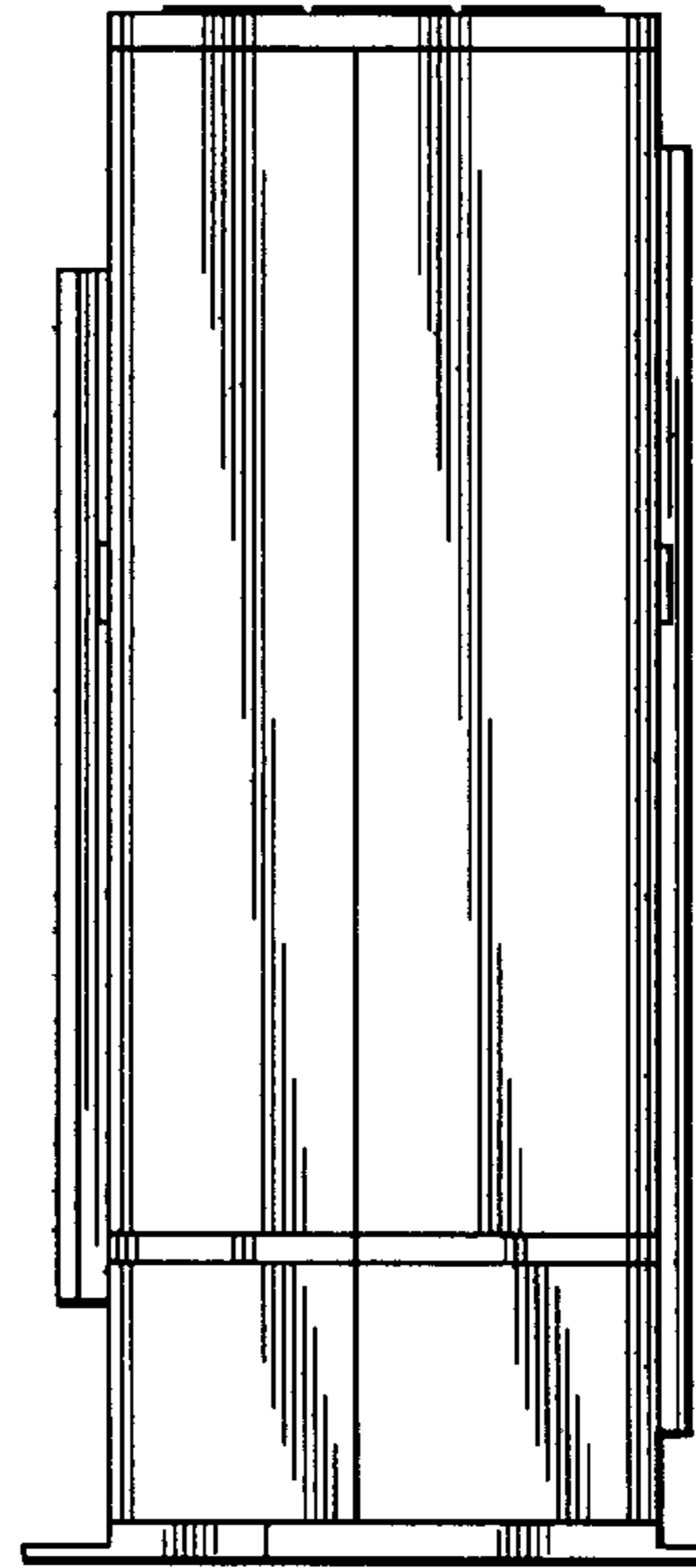


FIG. 7

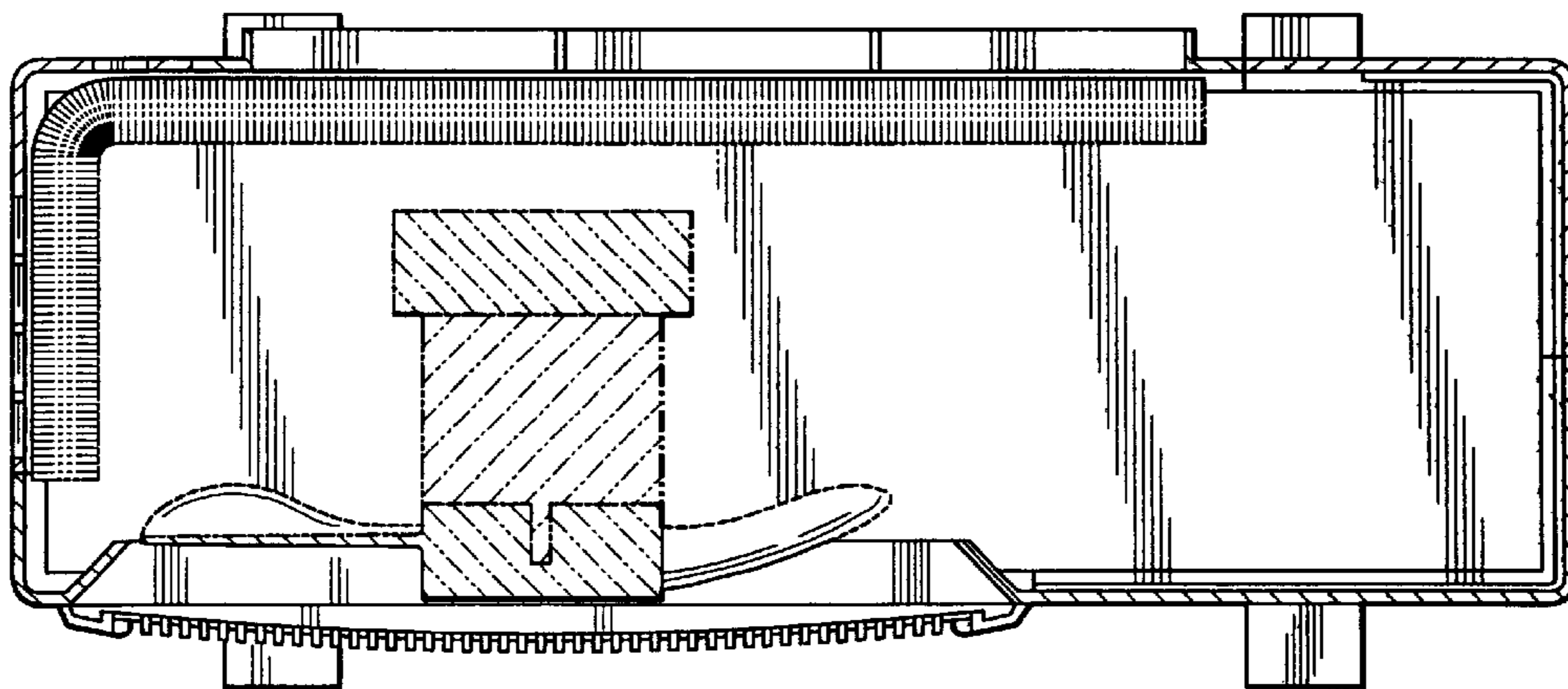


FIG. 8