

US00D493214S1

(12) **United States Design Patent**
Snyder, Sr. et al.

(10) **Patent No.: US D493,214 S**
(45) **Date of Patent: ** Jul. 20, 2004**

(54) **PIPE COUPLING**

D483,095 S * 12/2003 Snyder et al. D23/262
D483,441 S * 12/2003 Dole et al. D23/262

(75) Inventors: **Ronald R. Snyder, Sr.**, Schnecksville, PA (US); **Charles E. Wilk, Jr.**, Northampton, PA (US); **Lawrence W. Thau, Jr.**, Flemington, NJ (US); **Douglas R. Dole**, Whitehouse Station, NJ (US)

(73) Assignee: **Victaulic Company of America**, Easton, PA (US)

(**) Term: **14 Years**

(21) Appl. No.: **29/190,476**

(22) Filed: **Sep. 22, 2003**

Related U.S. Application Data

(62) Division of application No. 29/172,661, filed on Dec. 16, 2002, now Pat. No. Des. 483,095.

(51) **LOC (7) Cl.** **23-01**

(52) **U.S. Cl.** **D23/262**

(58) **Field of Search** D23/262, 263, D23/259; 285/369, 372, 373, 417

(56) **References Cited**

U.S. PATENT DOCUMENTS

3,268,244 A	8/1966	Kotelly et al.	285/235
3,459,445 A	8/1969	Parkhill	285/302
D234,847 S	4/1975	Hoffman	D23/262
4,047,743 A	9/1977	Weintraub et al.	285/340
4,073,514 A	2/1978	Pate	285/127
4,146,252 A	3/1979	Buda	285/308
4,586,734 A	5/1986	Grenier	285/340
D291,482 S	8/1987	Vassallo et al.	D23/262
5,351,999 A	10/1994	Hattori	285/404
5,603,530 A	2/1997	Guest	285/105
5,695,224 A	12/1997	Grenier	285/104
D427,668 S	7/2000	Stout, Jr.	D23/262
6,106,031 A	8/2000	Guginsky	285/369
D430,482 S	9/2000	Stout, Jr.	D8/382
6,499,771 B1	12/2002	Snyder, Sr. et al.	285/319
D483,094 S	* 12/2003	Wilk et al.	D23/262

OTHER PUBLICATIONS

U.S. patent application Ser. No. 10/007,951, filed Dec. 3, 2001, entitled "Mechanical Pipe Coupling Derived From a Standard Fitting" (Snyder, Sr. et al.).

U.S. patent application Ser. No. 10/123,607, filed Apr. 16, 2002, entitled "Mechanical Pipe Coupling Derived From a Standard Fitting" (Snyder, Sr. et al.).

U.S. patent application Ser. No. 10/299,164, filed Nov. 19, 2002, entitled "Clamping Mechanical Pipe Coupling Derived From a Standard Fitting" (Snyder, Sr. et al.).

(List continued on next page.)

Primary Examiner—Robin V. Taylor

(74) *Attorney, Agent, or Firm*—Synnestvedt & Lechner LLP

(57) **CLAIM**

The ornamental design for a pipe coupling, as shown and described.

DESCRIPTION

FIG. 1 is a perspective view of a first embodiment of our design for a pipe coupling;

FIG. 2 is a side view of the pipe coupling shown in FIG. 1, the opposite side, the top and bottom views being identical thereto;

FIG. 3 is an end view of the pipe coupling shown in FIG. 1, the opposite end view being identical;

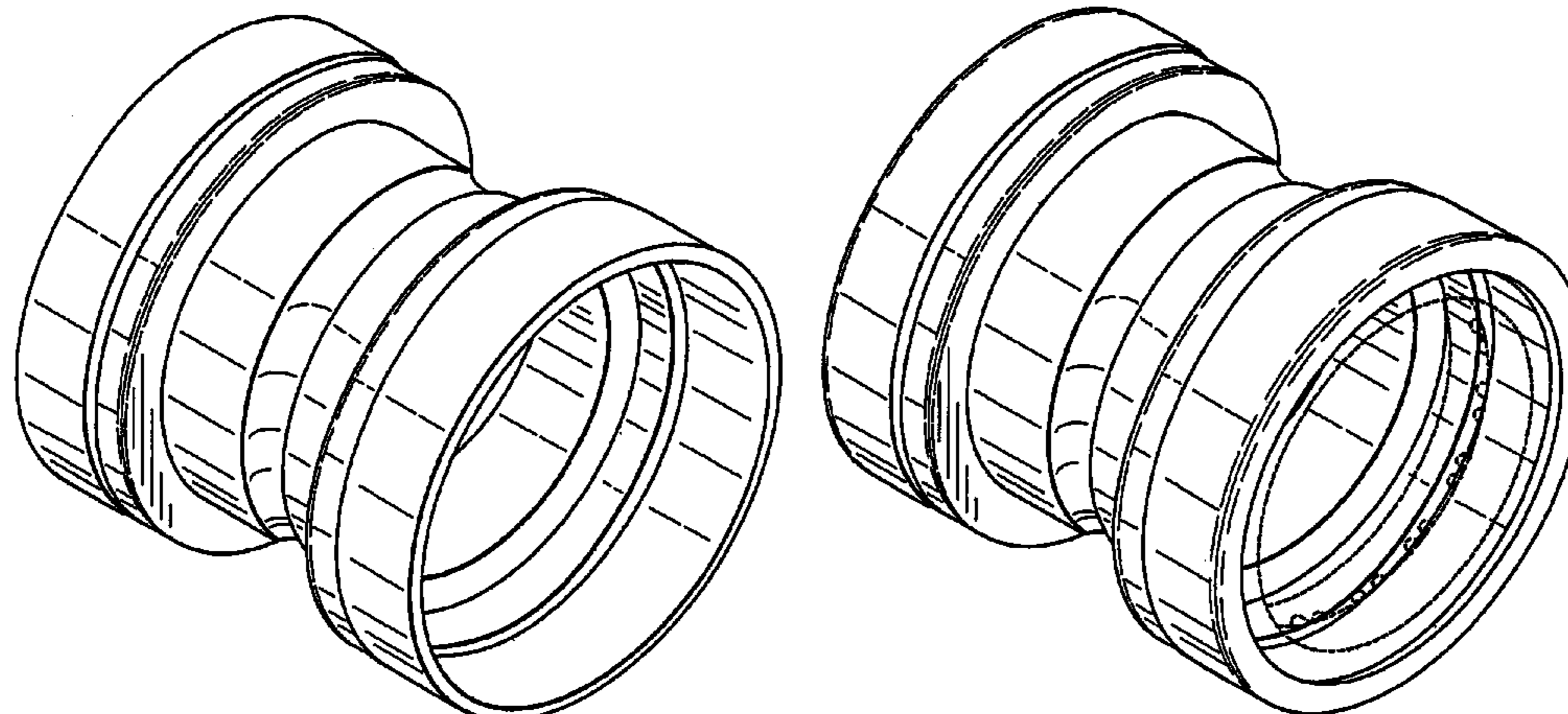
FIG. 4 is a perspective view of a second embodiment of our design for a pipe coupling;

FIG. 5 is a side view of the pipe coupling shown in FIG. 4, the opposite side, the top and bottom views being identical thereto; and,

FIG. 6 is an end view of the pipe coupling shown in FIG. 4, the opposite end view being identical.

The broken lines shown in FIGS. 4 and 6 are shown for illustrative purposes only and form no part of the claimed design.

1 Claim, 2 Drawing Sheets



OTHER PUBLICATIONS

U.S. patent application Ser. No. 10/299,281, filed Nov. 19, 2002, entitled "Triple-Expanded Mechanical Pipe Coupling Derived From a Standard Fitting" (Snyder, Sr. et al.).

IMI Yorkshire Fittings Group Web Page, including Tectite Products and Installation (4 pages; downloaded Mar. 15, 2000).

cuprofit® Push-Fit for the Professionals, copyright 2001 (1 page; downloaded Nov. 21, 2001).

IBP Group Web Site; web pages downloaded Mar. 15, 2000, including cuprofit®, >B<press and DELCOP® products, all copyrighted 1998 IBP (12 pages total).

U.S. Design patent application Ser. No. 29/172,661, filed Dec. 16, 2002, entitled Pipe Coupling(Snyder, Sr. et al.).

U.S. Design patent application Ser. No. 29/172,660, filed Dec. 16, 2002, entitled Elbow Coupling (Snyder, Sr. et al.).

U.S. Design patent application Ser. No. 29/172,658, filed Dec. 16, 2002, entitled Tee Coupling (Snyder, Sr. et al.).

U.S. Design patent application Ser. No. 29/172,657, filed Dec. 16, 2002, entitled Pipe Coupling (Dole et al.).

U.S. Design patent application Ser. No. 29/172,654, filed Dec. 16, 2002, entitled Elbow Coupling (Dole et al.).

U.S. Design patent application Ser. No. 29/172,645, filed Dec. 16, 2002, entitled Tee Coupling (Dole et al.).

U.S. Design patent application Ser. No. 29/172/659, filed Dec. 16, 2002, entitled Pipe Coupling (Wilk, Jr. et al.).

U.S. Design patent application Ser. No. 29/172,644, filed Dec. 16, 2002, entitled Elbow Coupling (Wilk, Jr. et al.).

U.S. Design patent application Ser. No. 29/172,643, filed Dec. 16, 2002, entitled Tee Coupling (Wilk et al.).

* cited by examiner

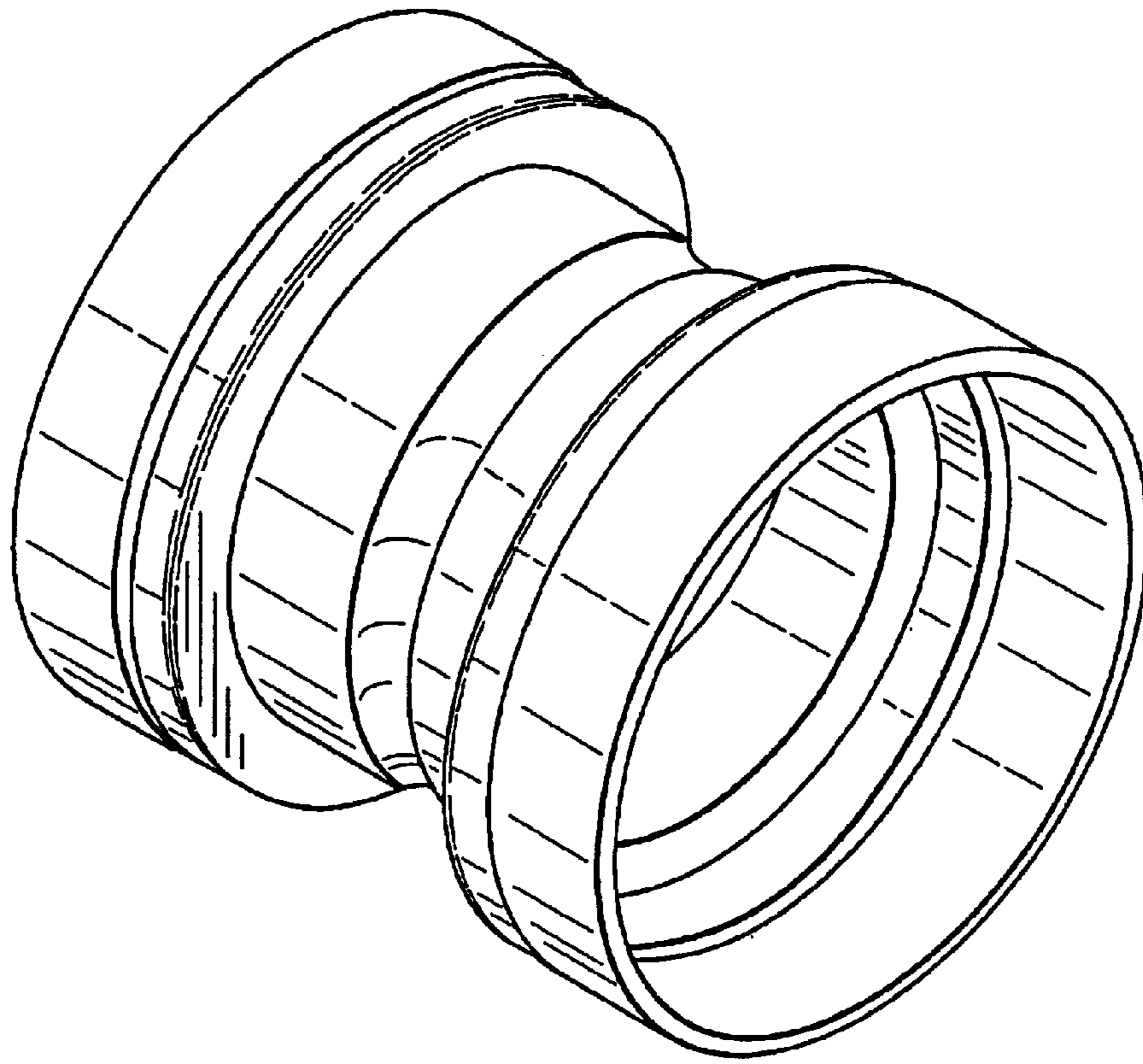


FIG. 1

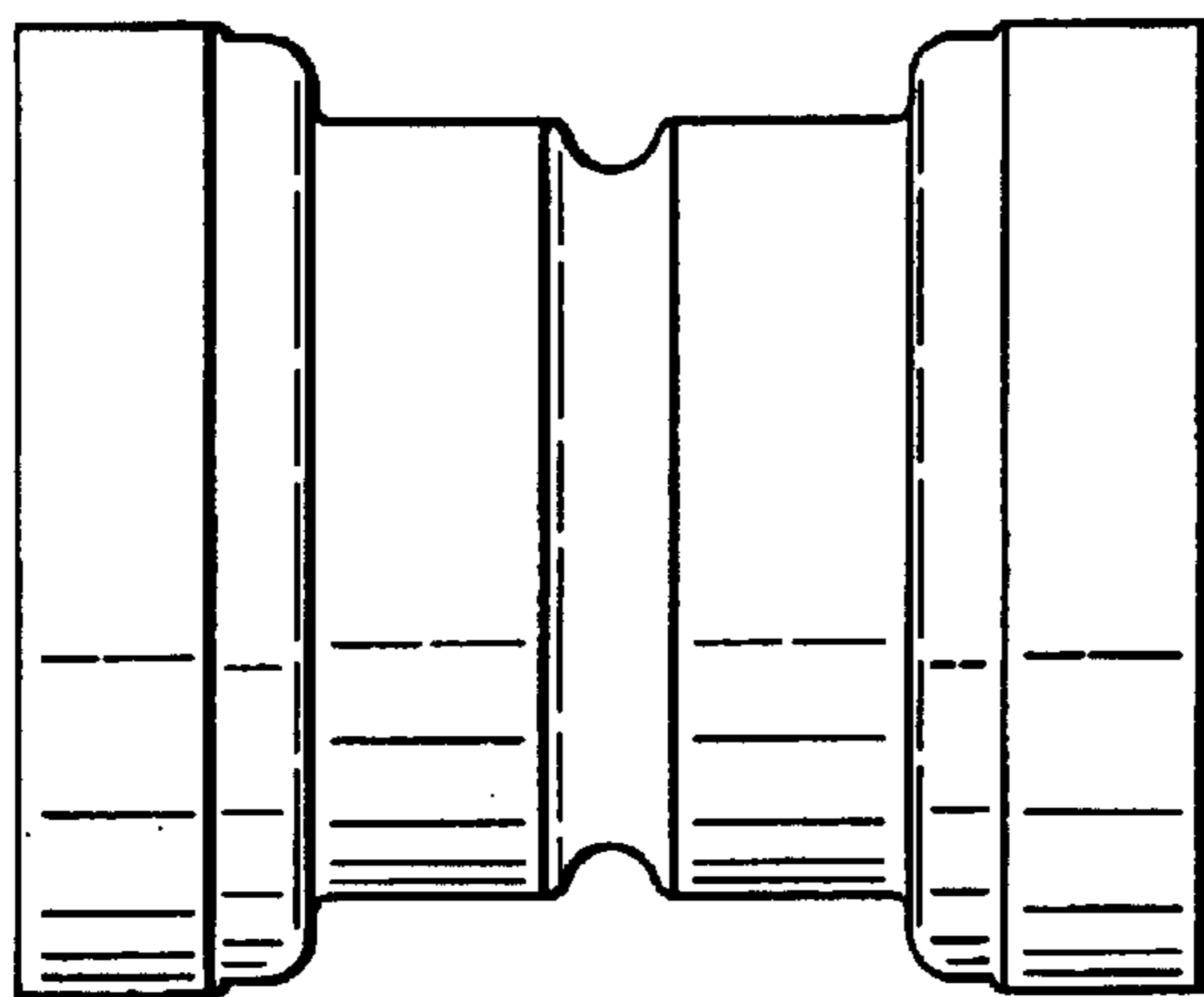


FIG. 2

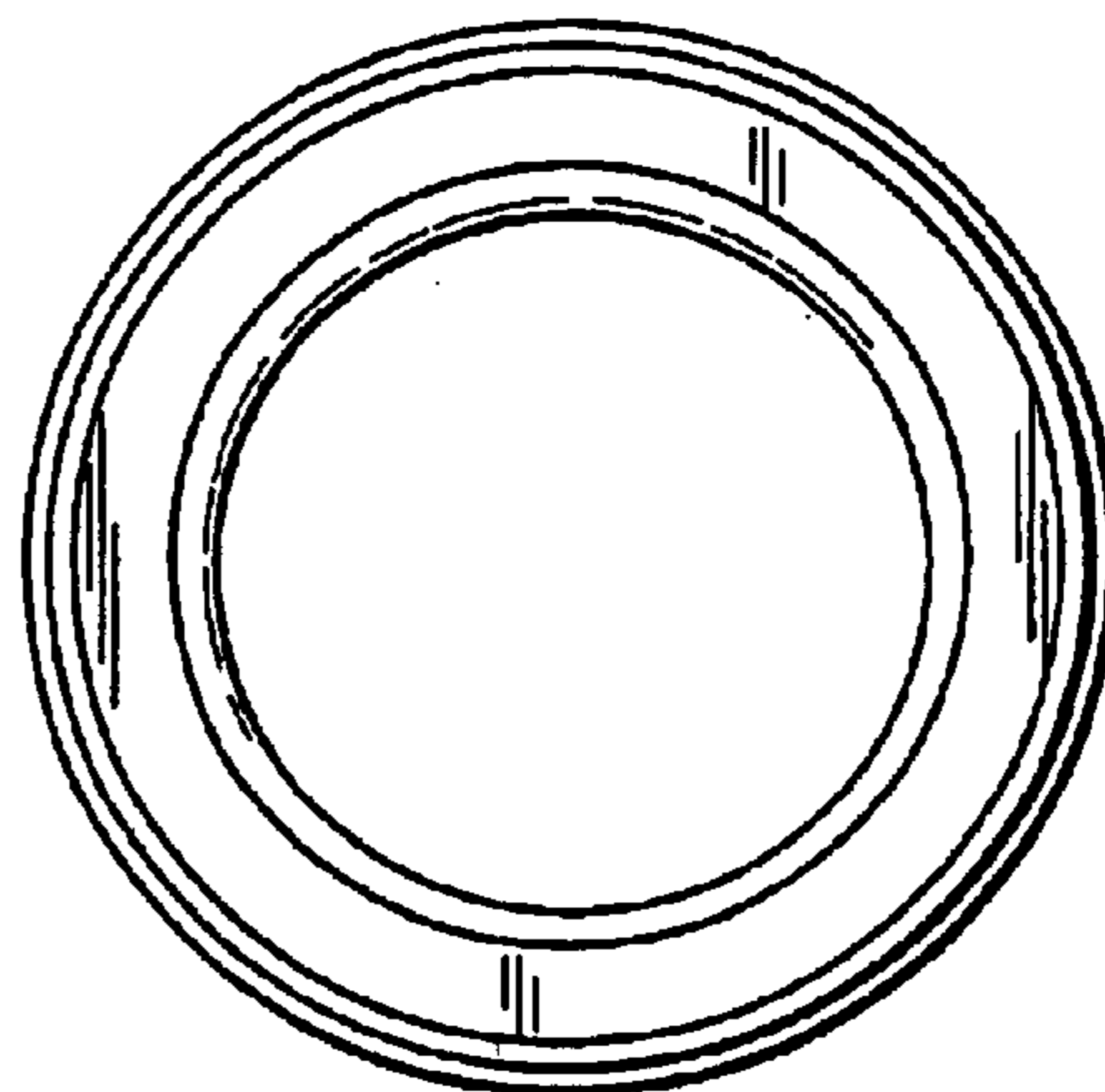


FIG. 3

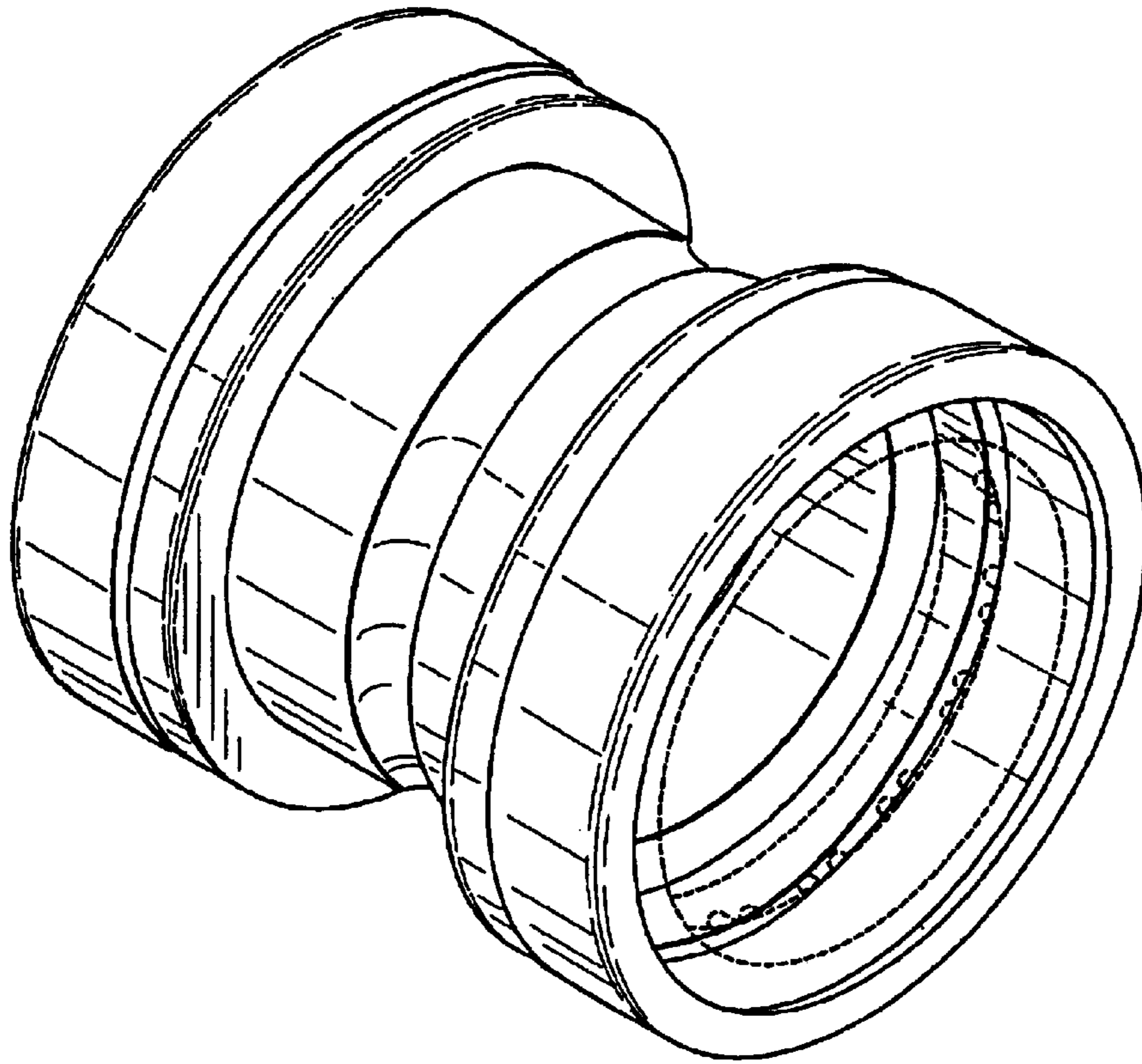


FIG. 4

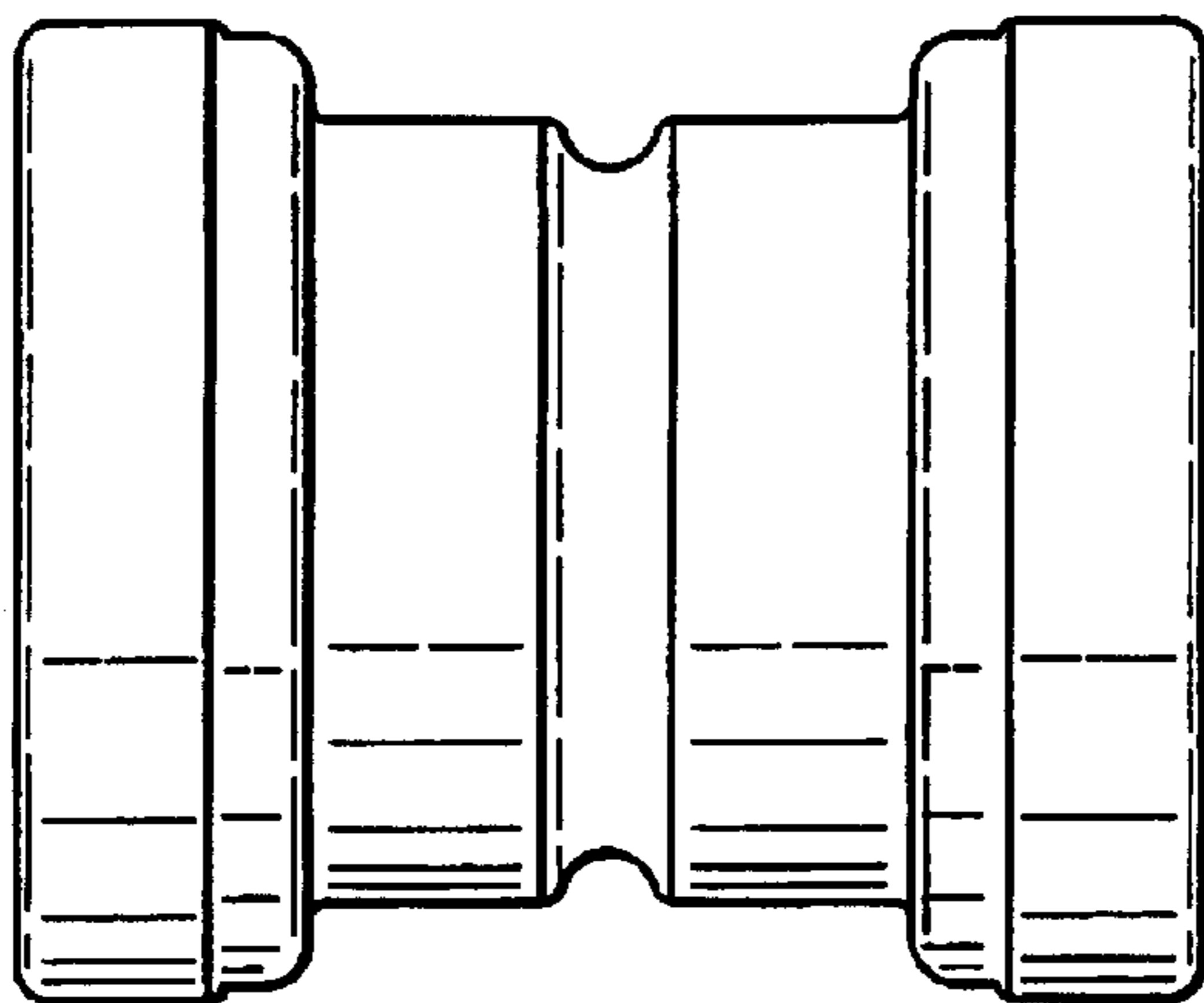


FIG. 5

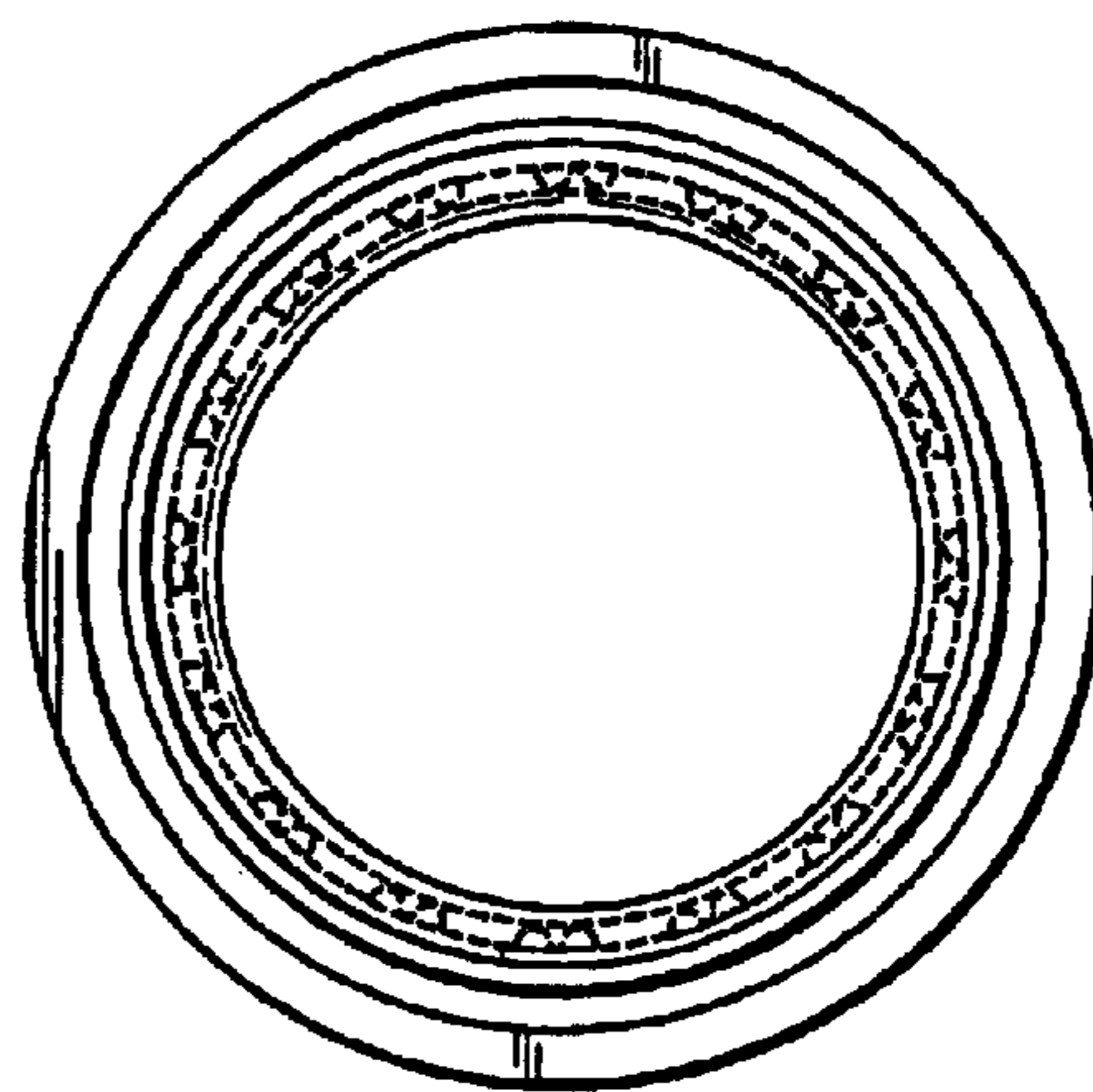


FIG. 6