

US00D493213S1

(12) **United States Design Patent**  
Svendsen et al.

(10) **Patent No.:** **US D493,213 S**  
(45) **Date of Patent:** **\*\* Jul. 20, 2004**

(54) **FAUCET HANDLE**

D352,767 S \* 11/1994 McKeone ..... D23/252  
D460,529 S \* 7/2002 Caplow ..... D23/252

(75) Inventors: **Sean W. Svendsen**, Columbus, OH (US); **Michael J. Painter**, Columbus, OH (US); **Christopher P. Marks**, Pickerington, OH (US); **Paul P. Kolada**, Bexley, OH (US)

\* cited by examiner

*Primary Examiner*—Ian Simmons  
*Assistant Examiner*—Gregory Andoll  
(74) *Attorney, Agent, or Firm*—Frommer Lawrence & Haug LLP; Matthew K. Ryan

(73) Assignee: **American Standard Inc.**, Piscataway, NJ (US)

(57) **CLAIM**

(\*\*) Term: **14 Years**

The ornamental design for a “faucet handle”, as shown.

(21) Appl. No.: **29/157,807**

**DESCRIPTION**

(22) Filed: **Mar. 25, 2002**

(51) **LOC (7) Cl.** ..... **23-81**

(52) **U.S. Cl.** ..... **D23/252**

(58) **Field of Search** ..... D23/238–243,  
D23/250–257; 4/675–678; 137/801; D8/300–310,  
350, 354; 16/110 R–121

FIG. 1 is a front perspective view of a preferred embodiment of a faucet handle showing our new design;  
FIG. 2 is a top view of the faucet handle of FIG. 1;  
FIG. 3 is a bottom view of the faucet handle of FIG. 1;  
FIG. 4 is a left side view of the faucet handle of FIG. 1;  
FIG. 5 is a right side view of the faucet handle of FIG. 1;  
FIG. 6 is a front view of the faucet handle of FIG. 1; and,  
FIG. 7 is a rear view of the faucet handle of FIG. 1.

(56) **References Cited**

**U.S. PATENT DOCUMENTS**

D275,985 S \* 10/1984 Stairs, Jr. et al. .... D23/252

**1 Claim, 3 Drawing Sheets**

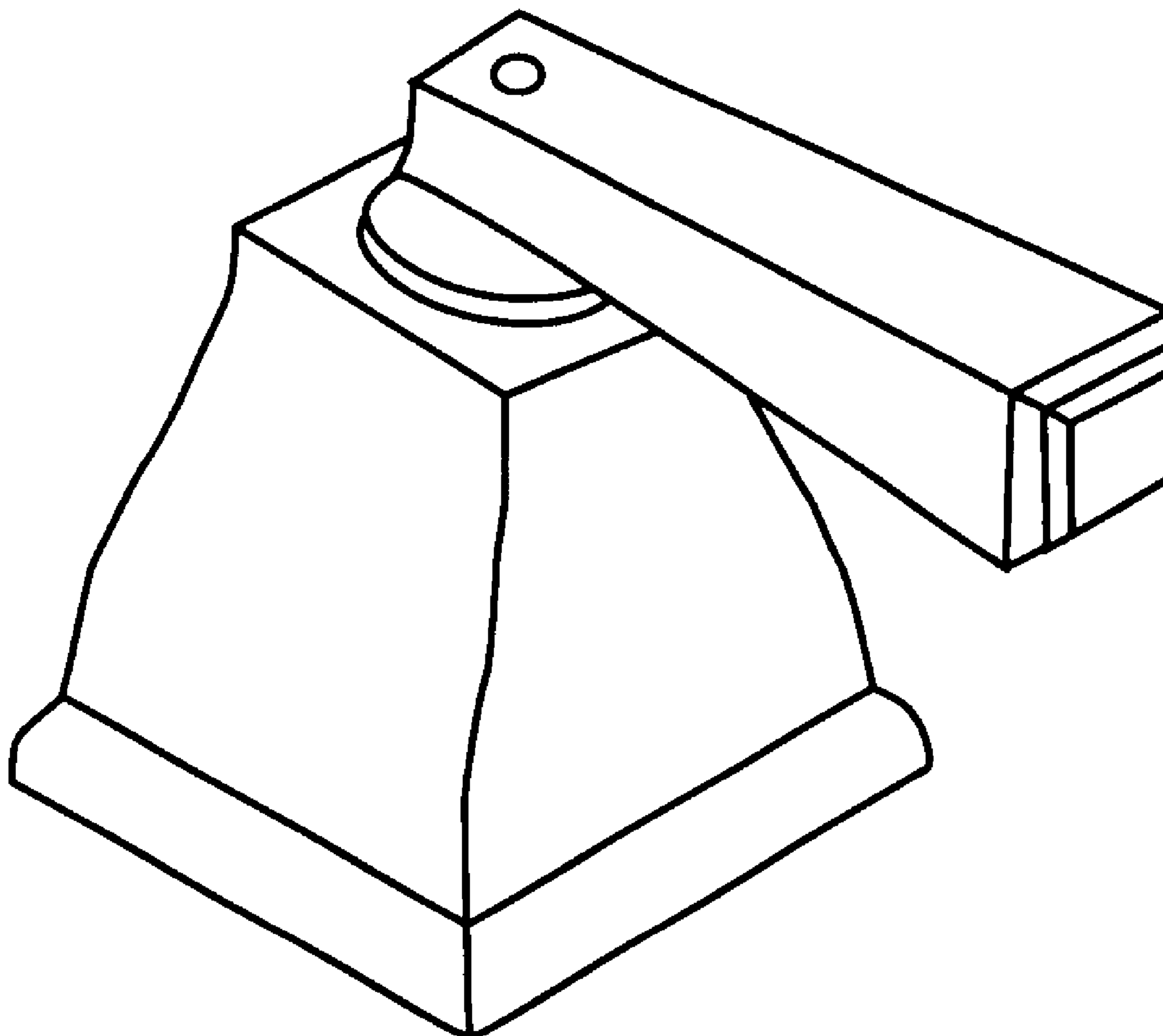


FIG. 1

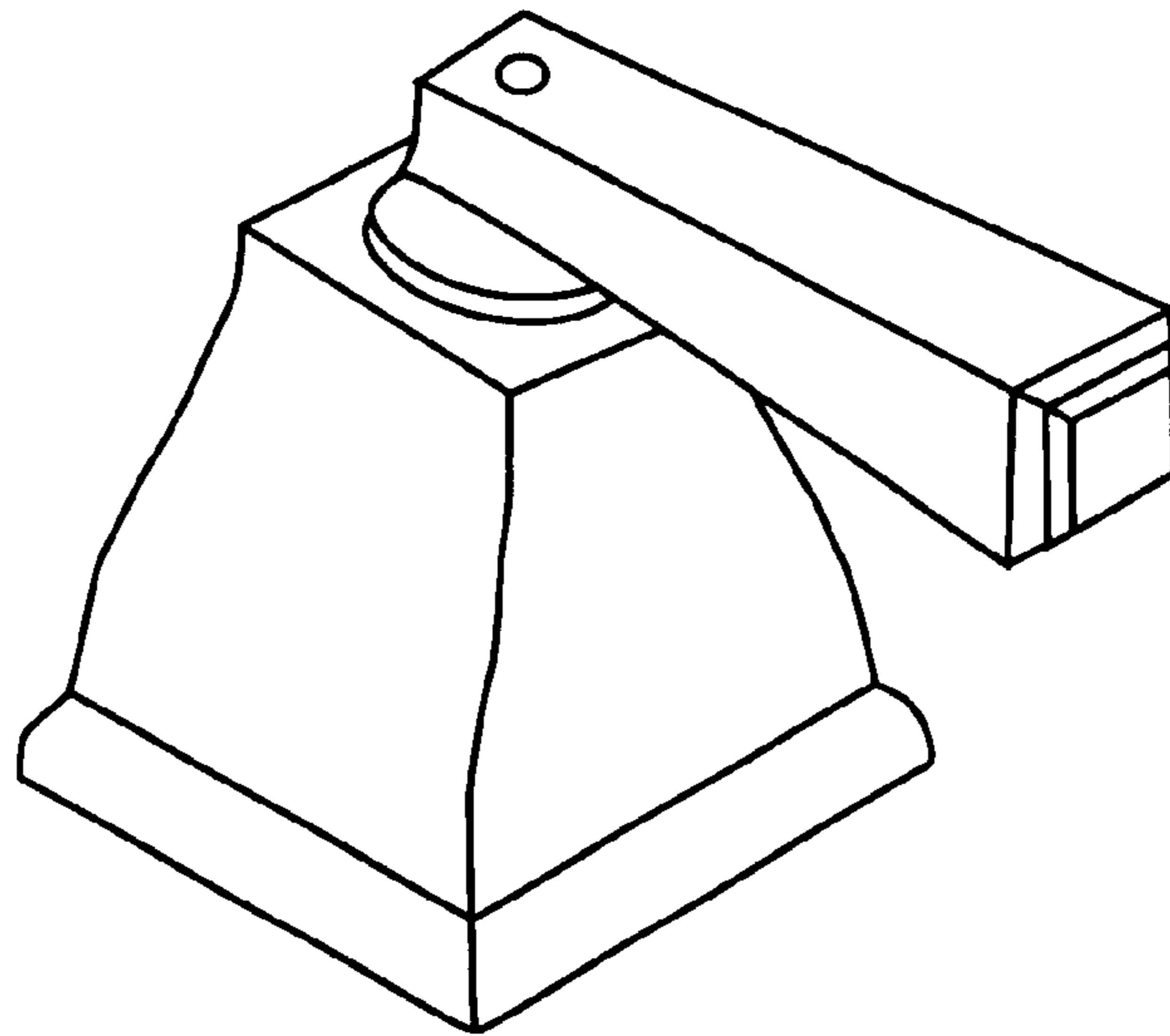


FIG. 2

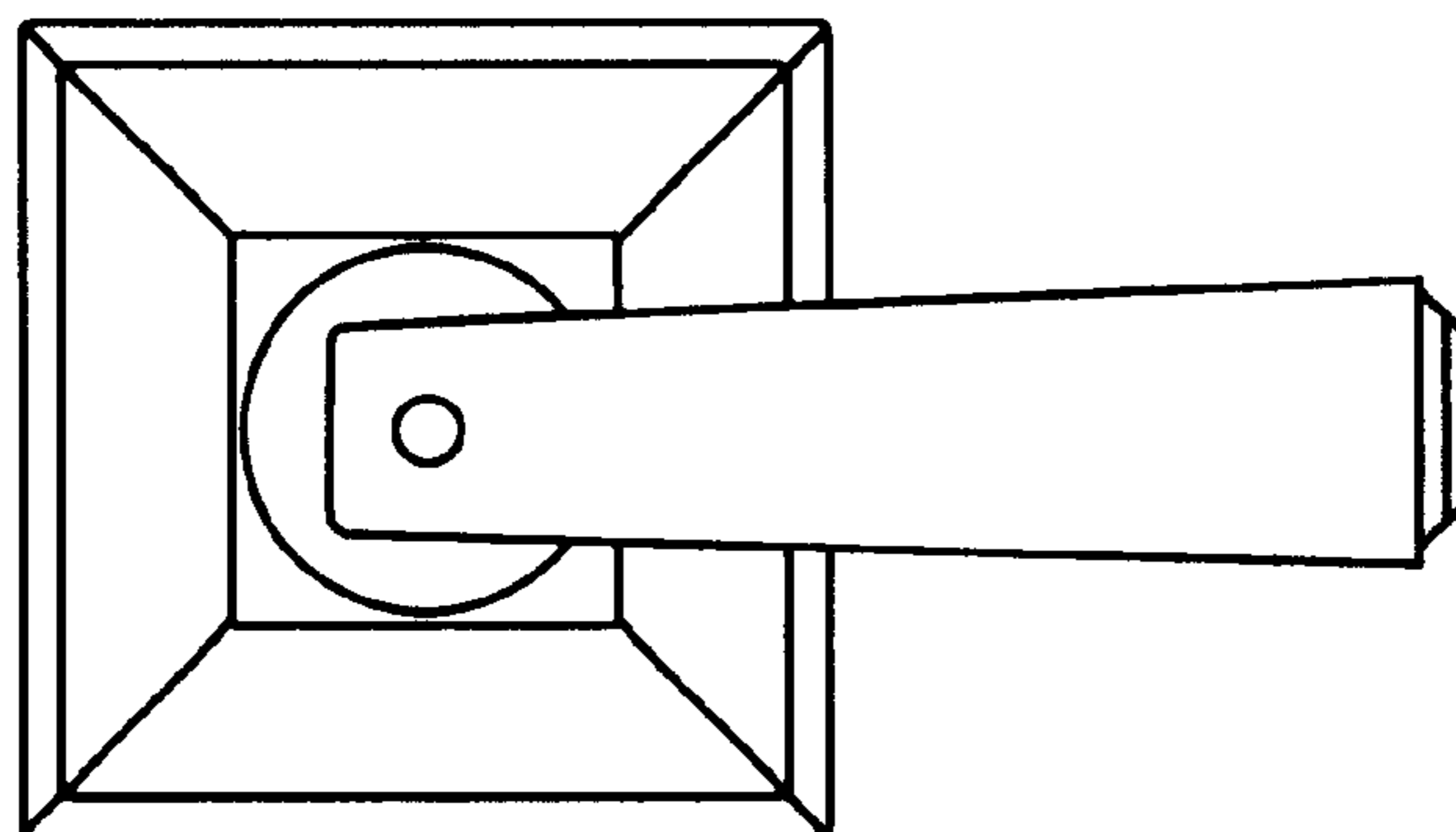


FIG. 3

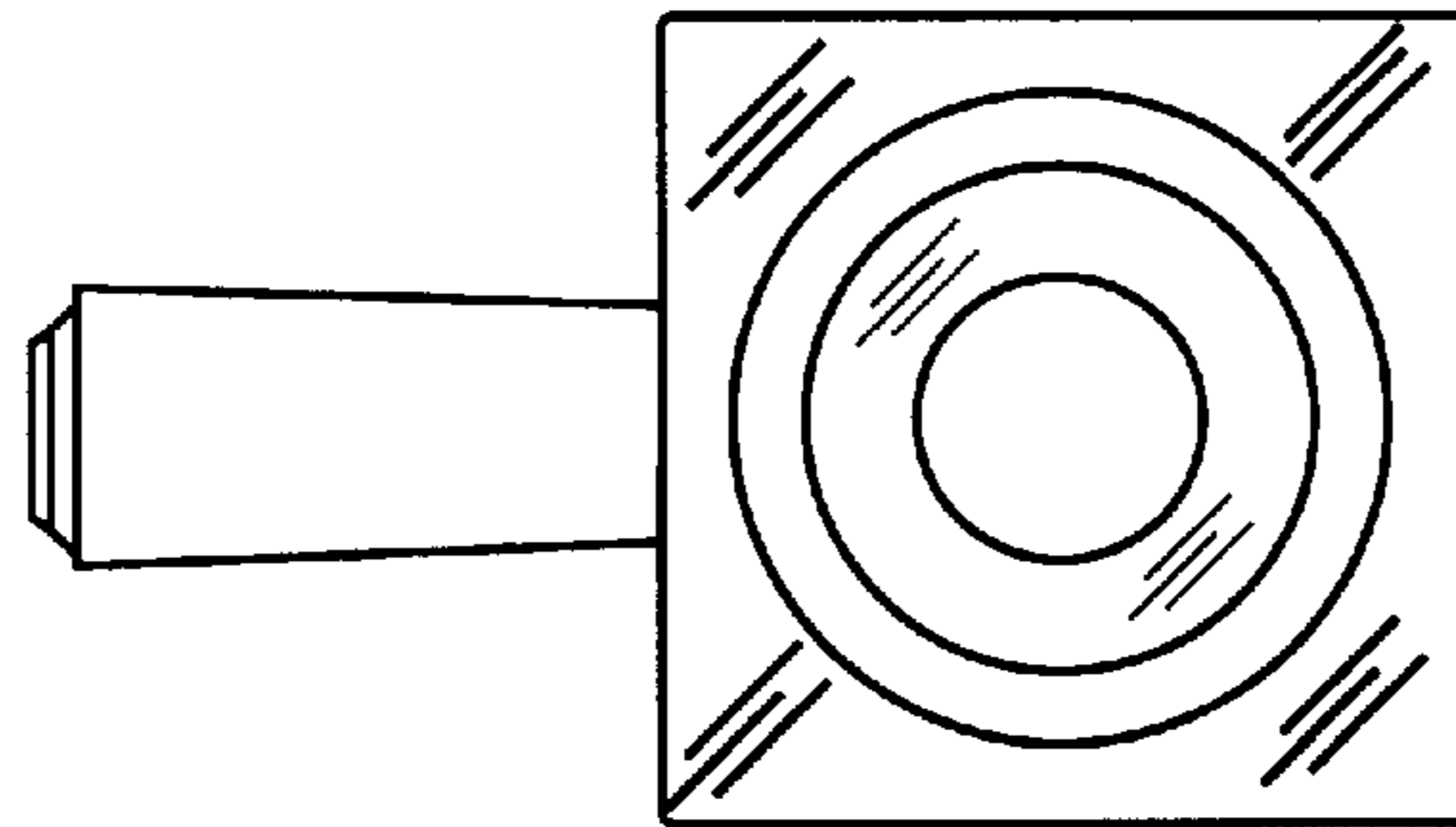


FIG. 4

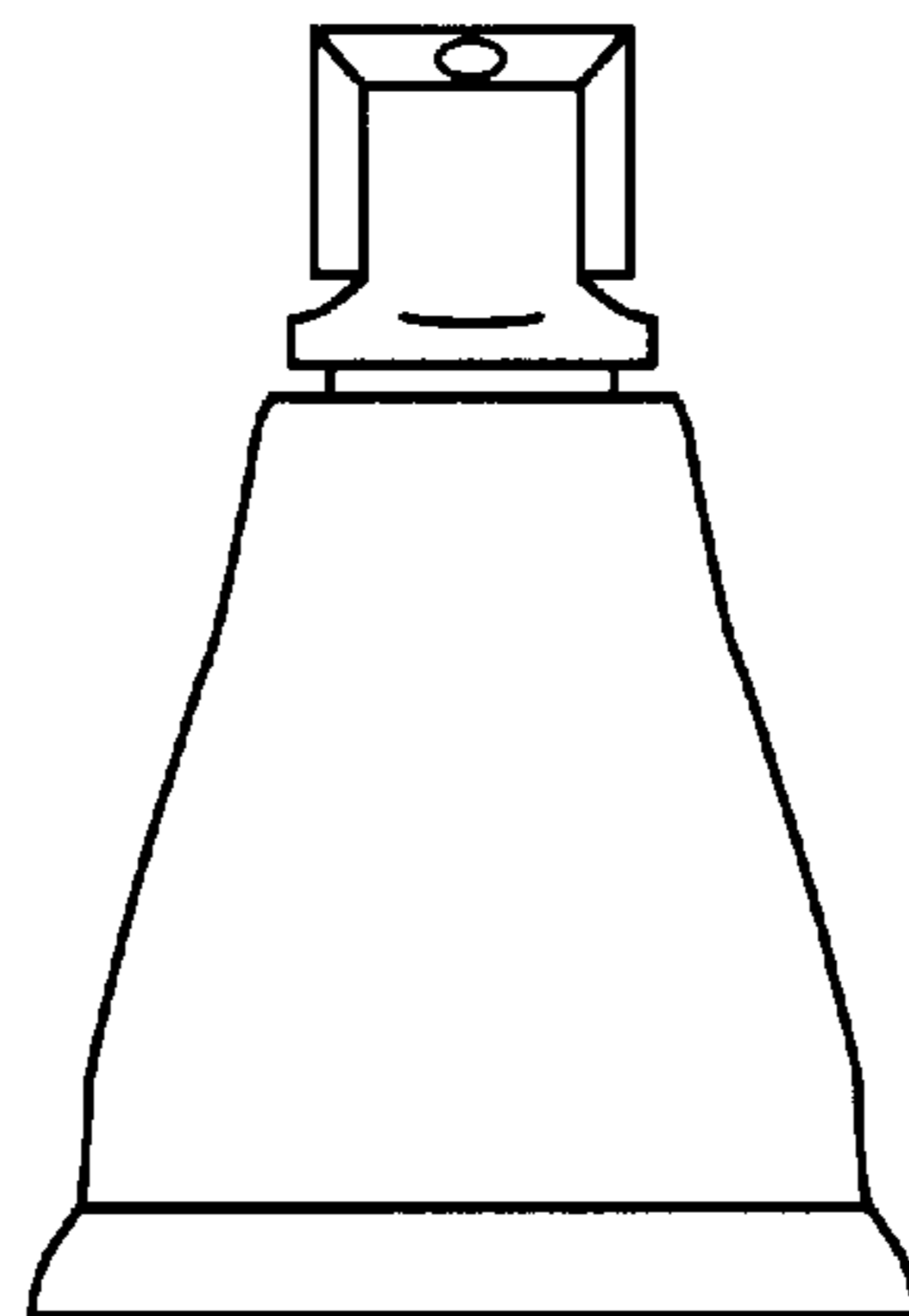


FIG. 5

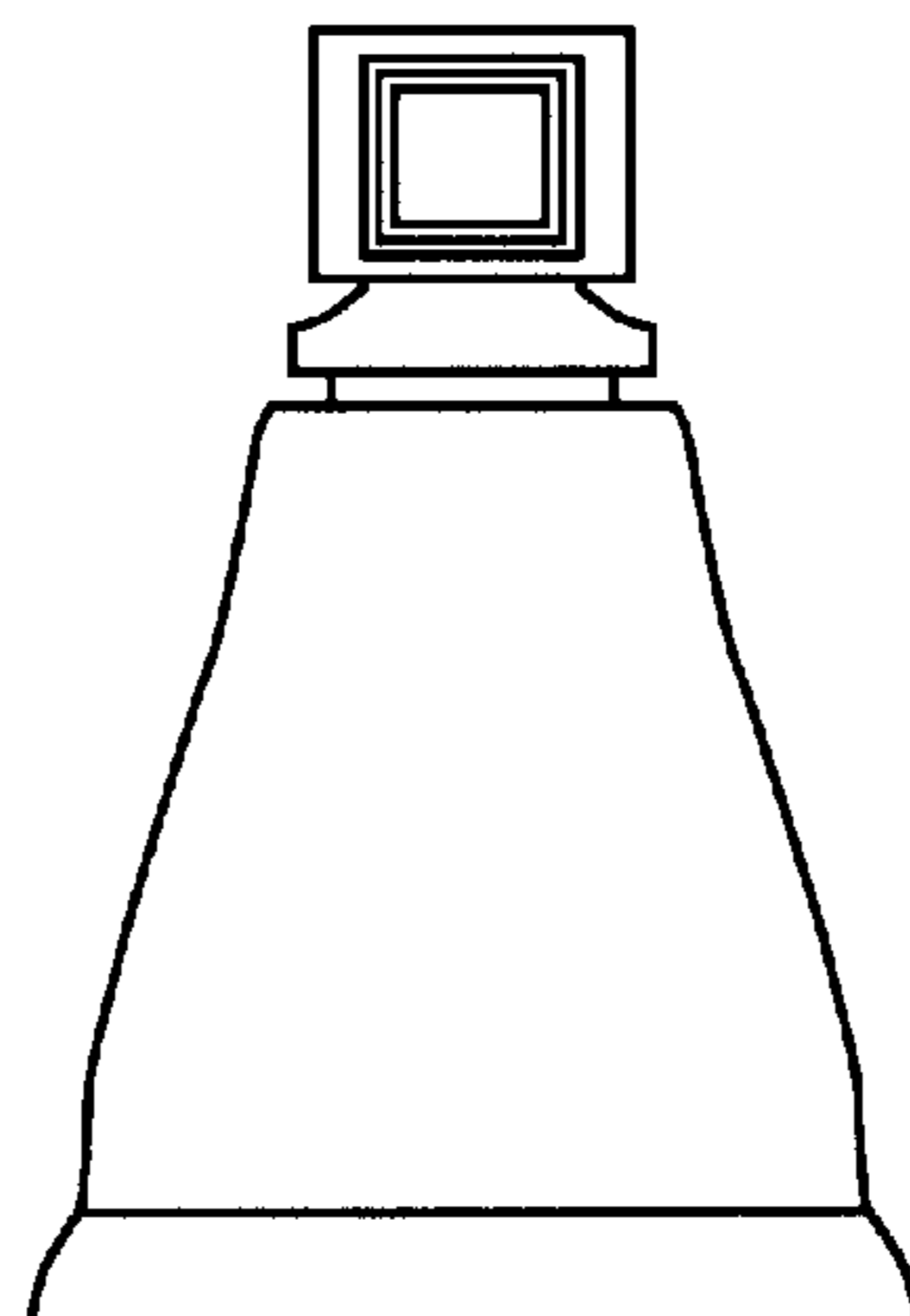


FIG. 6

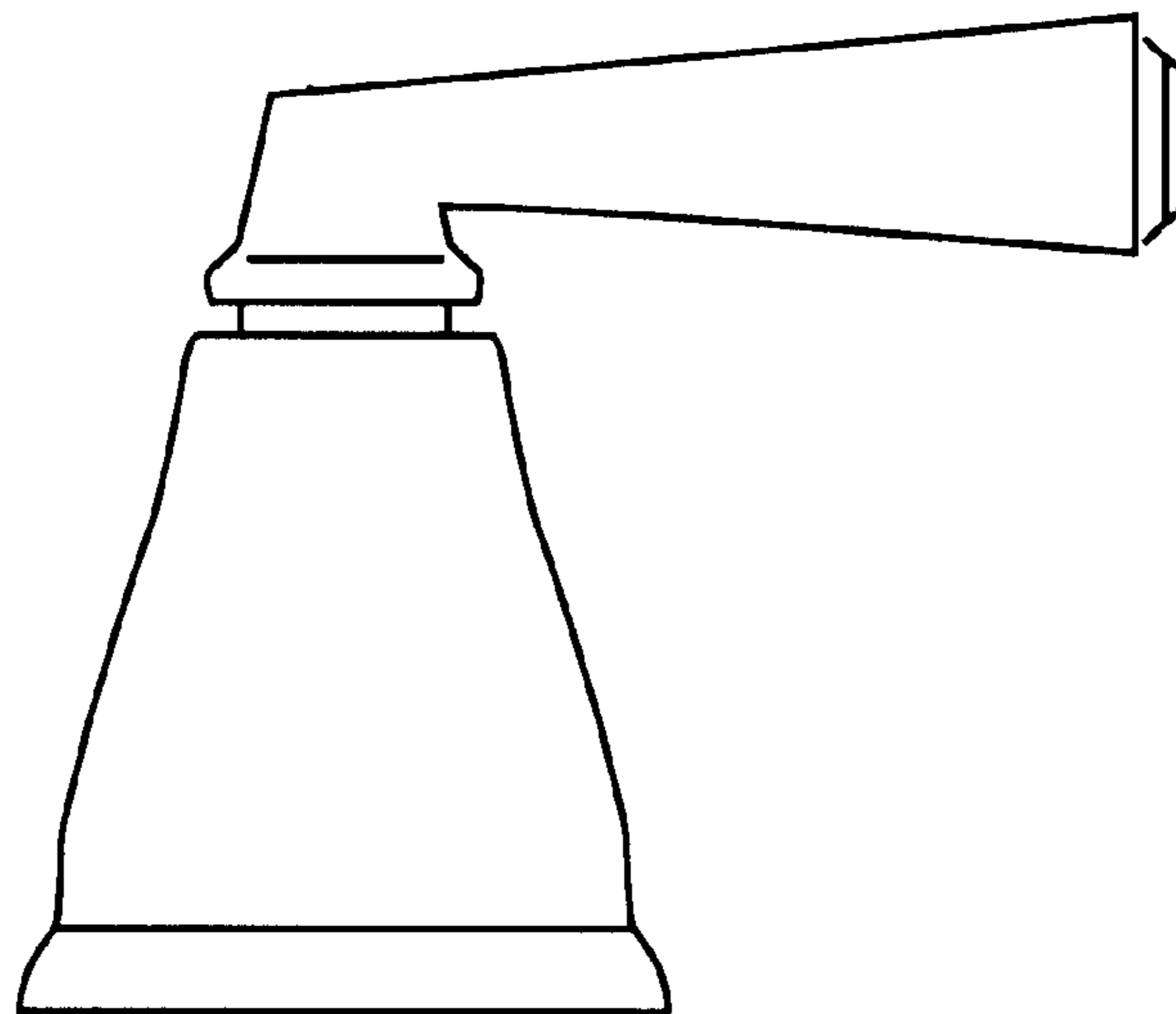


FIG. 7

