

US00D493212S1

(12) **United States Design Patent**  
**Lin**

(10) **Patent No.:** **US D493,212 S**

(45) **Date of Patent:** **\*\* Jul. 20, 2004**

(54) **FAUCET HOUSING**

(75) **Inventor:** **Shih-Hung Lin**, Taichung (TW)

(73) **Assignee:** **Globe Union Industrial Corp.**,  
Taichung Export Processing Zone (TW)

(\*\*) **Term:** **14 Years**

(21) **Appl. No.:** **29/183,692**

(22) **Filed:** **Jun. 17, 2003**

(51) **LOC (7) Cl.** ..... **23-01**

(52) **U.S. Cl.** ..... **D23/249**

(58) **Field of Search** ..... D23/238-257;  
D8/350-353; 4/675-678; 137/801

(56) **References Cited**

**U.S. PATENT DOCUMENTS**

- D140,693 S \* 3/1945 Judell ..... D23/241
- D149,195 S \* 4/1948 Little ..... D23/243
- D404,467 S \* 1/1999 Doughty et al. .... D23/242

D417,908 S \* 12/1999 Warshawsky et al. .... D23/241

\* cited by examiner

*Primary Examiner*—Louis S. Zarfes

*Assistant Examiner*—Gregory Andoll

(74) *Attorney, Agent, or Firm*—Leong C. Lei

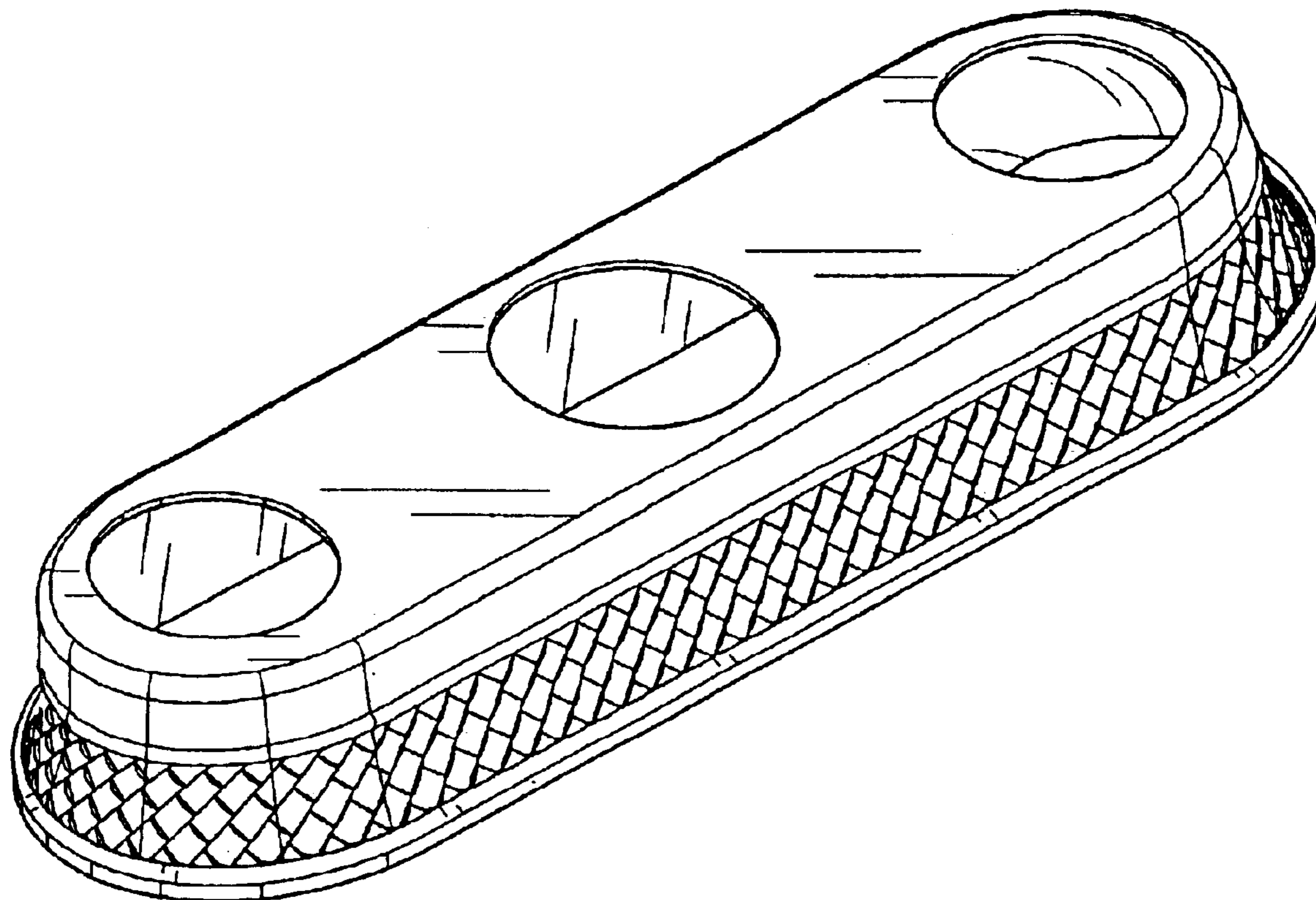
(57) **CLAIM**

The ornamental design for a faucet housing, as shown and described.

**DESCRIPTION**

FIG. 1 is perspective view of a faucet housing showing my new design;  
FIG. 2 is a front side elevation view thereof;  
FIG. 3 is a rear side elevation view thereof;  
FIG. 4 is a left side elevation view thereof;  
FIG. 5 is a right side elevation view thereof;  
FIG. 6 is a top plan view thereof; and,  
FIG. 7 is a bottom plan view thereof.

**1 Claim, 4 Drawing Sheets**



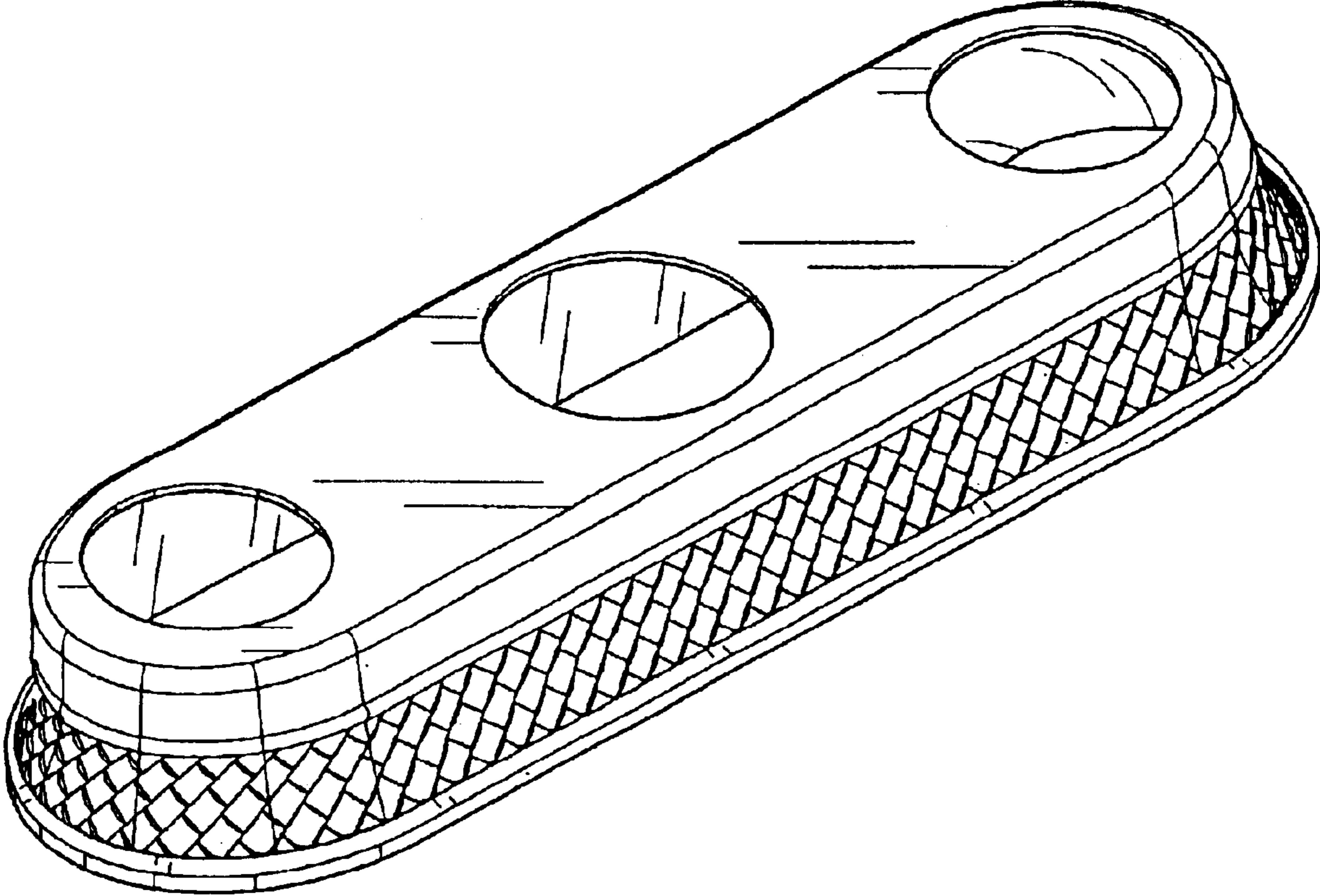


FIG. 1

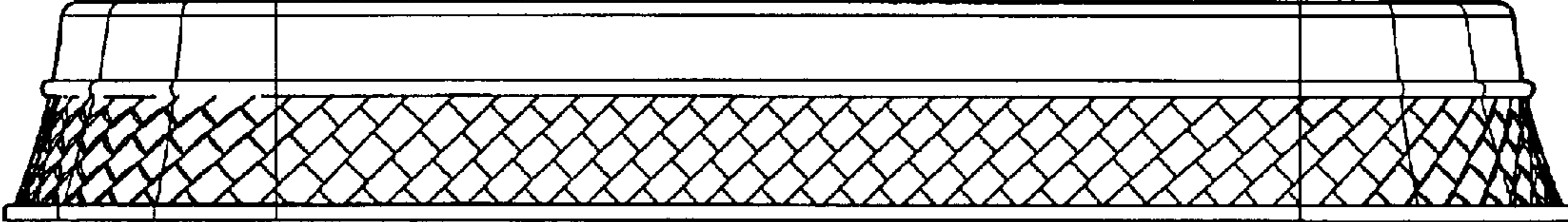


FIG. 2

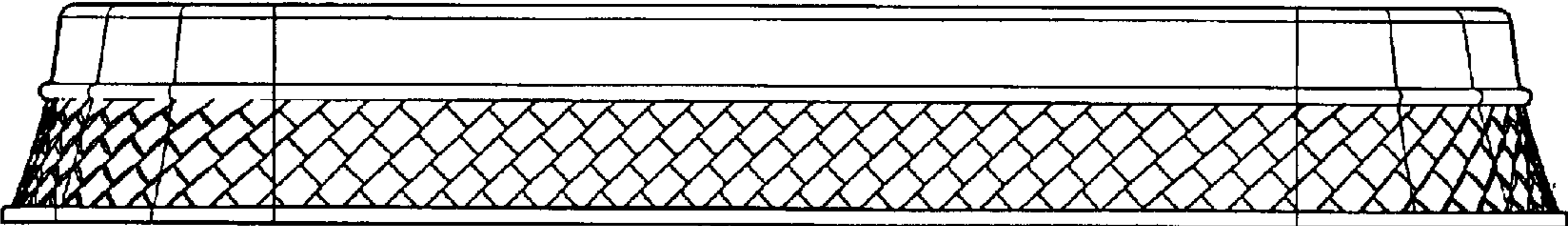


FIG. 3

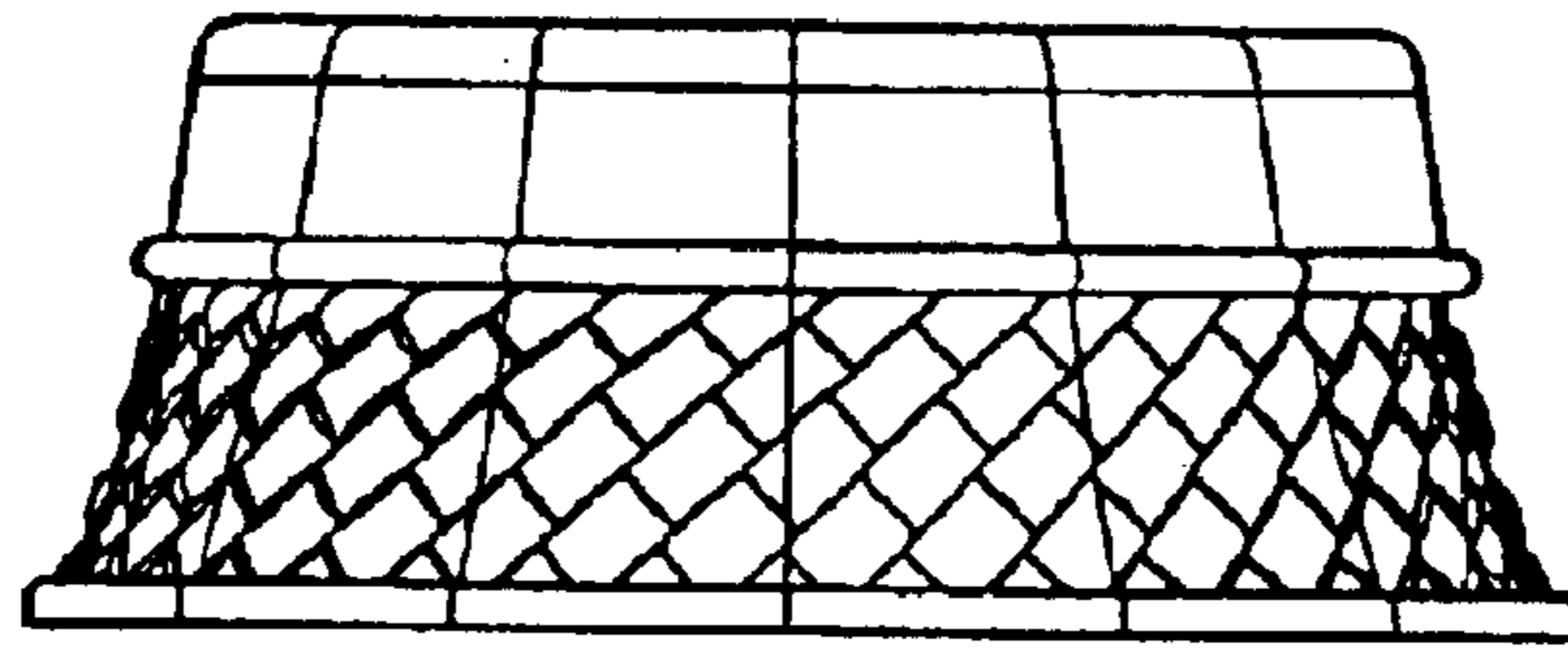


FIG. 4

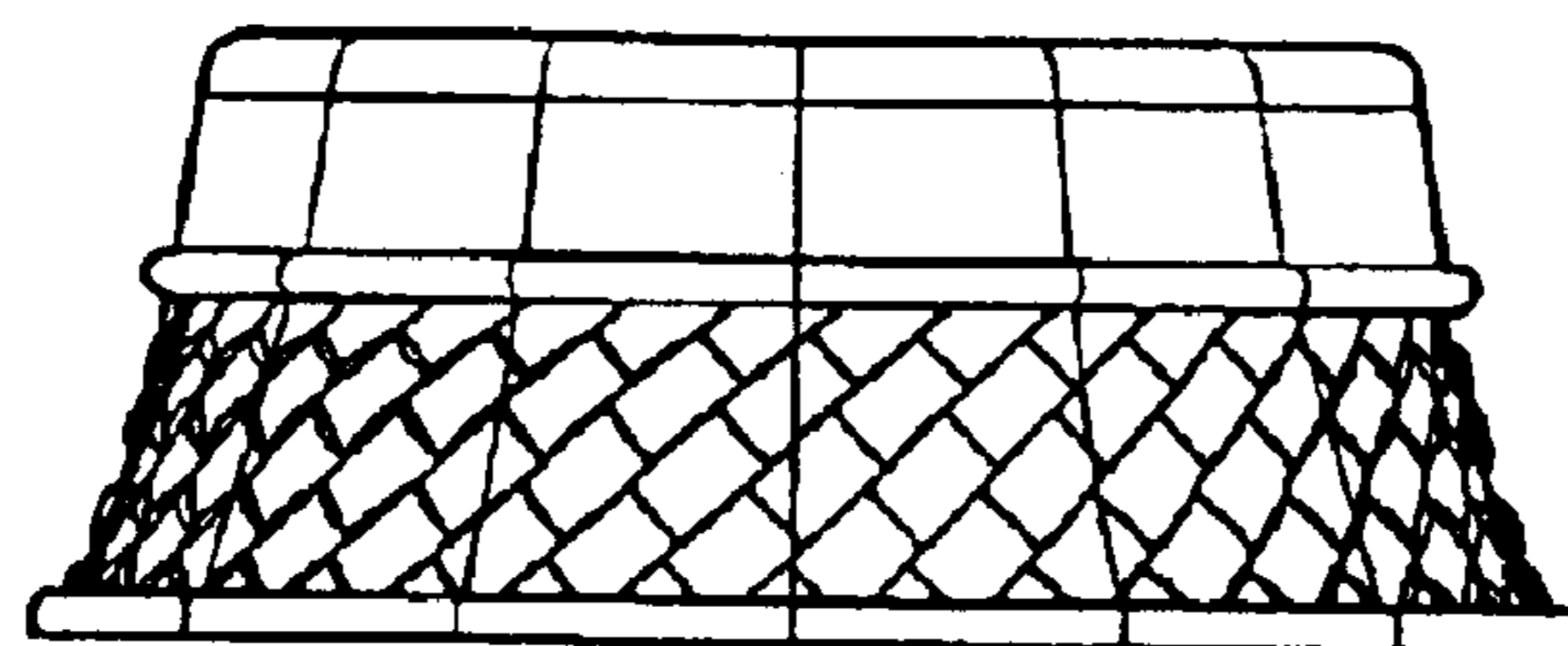


FIG. 5

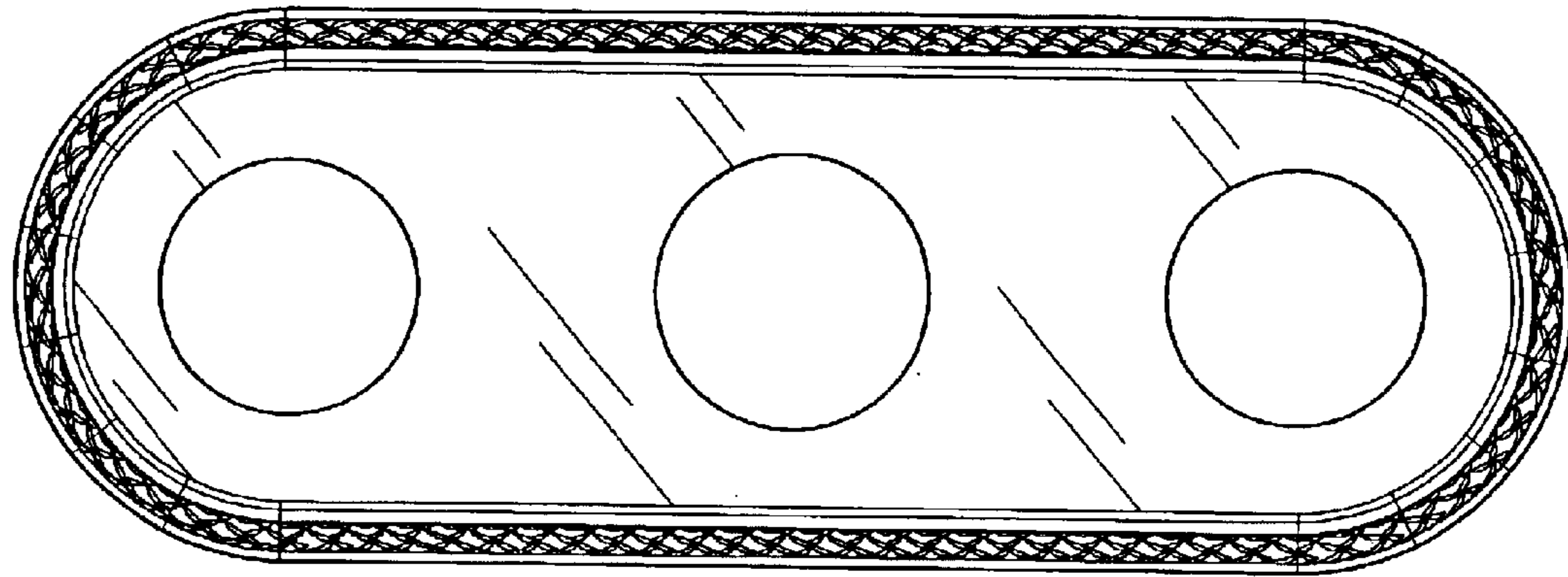


FIG. 6

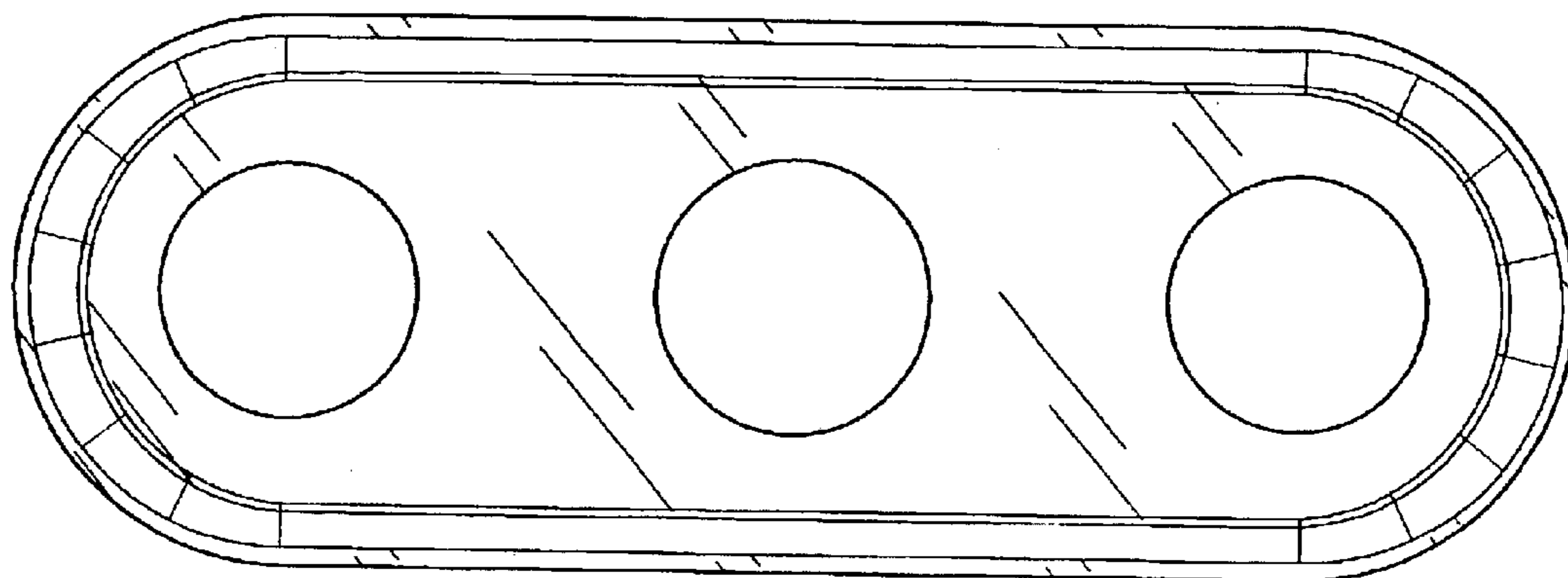


FIG. 7