

US00D493211S1

(12) **United States Design Patent**
Fraser et al.

(10) **Patent No.: US D493,211 S**
(45) **Date of Patent: ** Jul. 20, 2004**

(54) **SHOWER FAUCET**

D457,941 S * 5/2002 Lobermeier D23/242

(75) Inventors: **Simon Fraser**, Wellington (NZ);
Ferdinand Alexander Porsche, Gries
(AT); **Christian Schwamkrug**, Zell am
See (AT)

* cited by examiner

Primary Examiner—Louis S. Zarfes
Assistant Examiner—Gregory Andoll
(74) *Attorney, Agent, or Firm*—Herbert Dubno

(73) Assignee: **Friedrich Grohe AG & Co. KG**,
Hemer (DE)

(57) **CLAIM**

(**) Term: **14 Years**

The ornamental design for a shower faucet, as shown and described.

(21) Appl. No.: **29/179,674**

DESCRIPTION

(22) Filed: **Apr. 11, 2003**

(30) **Foreign Application Priority Data**

Nov. 15, 2002 (DE) 402 09 502

(51) **LOC (7) Cl.** **23-01**

(52) **U.S. Cl.** **D23/241; D23/242**

(58) **Field of Search** D23/238–257;
4/675–678; 137/801

FIG. 1 is a top, front, left-side perspective view of a shower faucet showing our new design;
FIG. 2 is a left side elevational view thereof, the right side elevational view being mirror symmetrical thereto;
FIG. 3 is a top plan view thereof;
FIG. 4 is a front elevational view thereof;
FIG. 5 is a rear elevational view thereof; and,
FIG. 6 is a bottom plan view thereof.

The broken lines in the Figures are for illustrative purposes only and form no part of the claimed design.

(56) **References Cited**

U.S. PATENT DOCUMENTS

D339,629 S * 9/1993 Gottwald D23/241

1 Claim, 3 Drawing Sheets

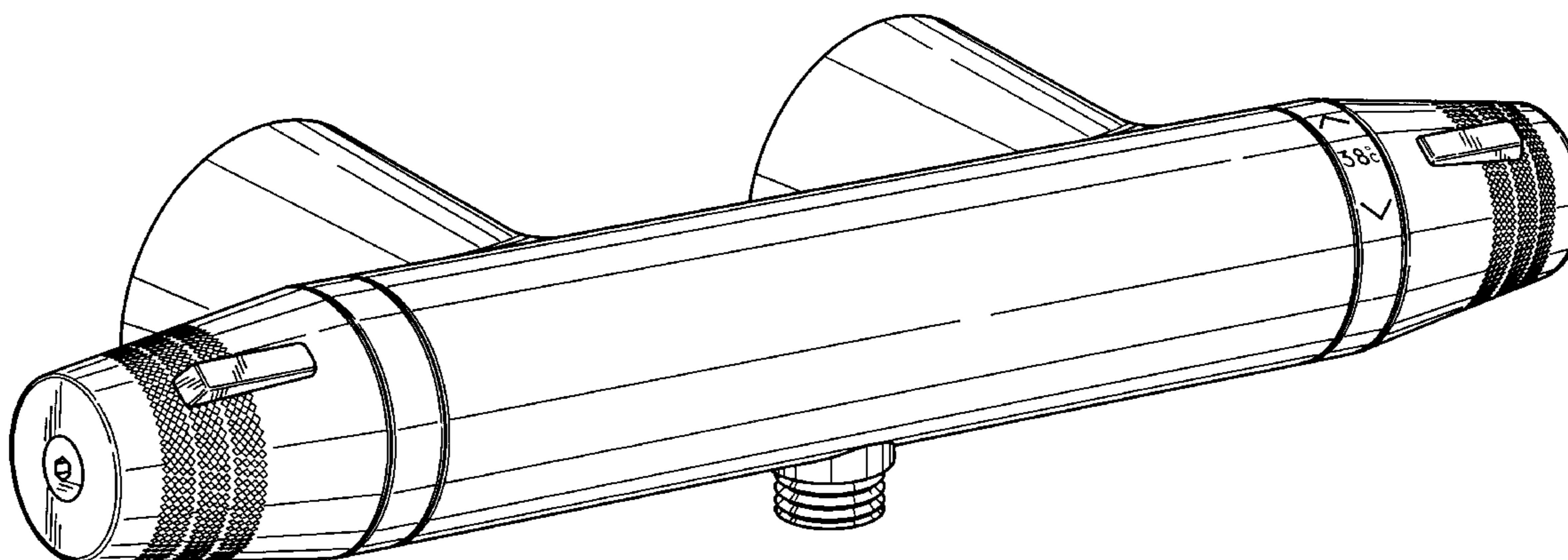


FIG. 1

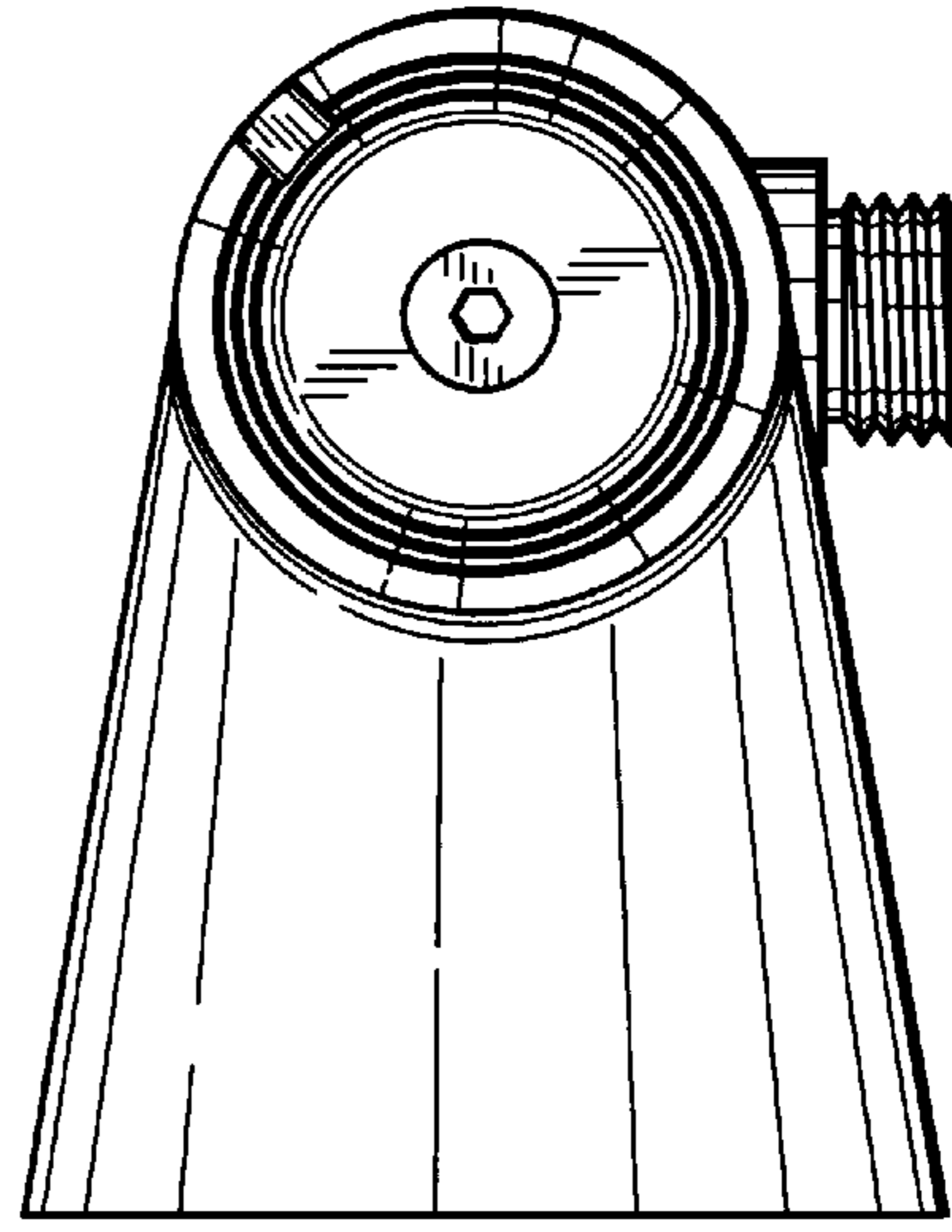
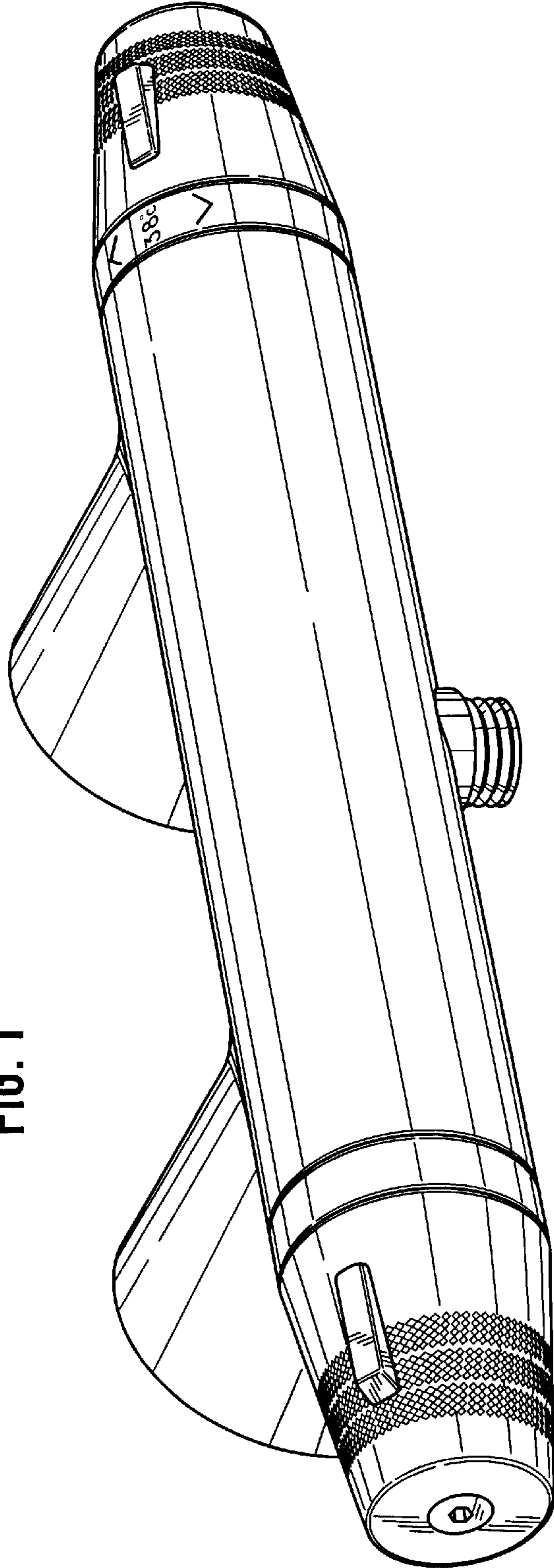
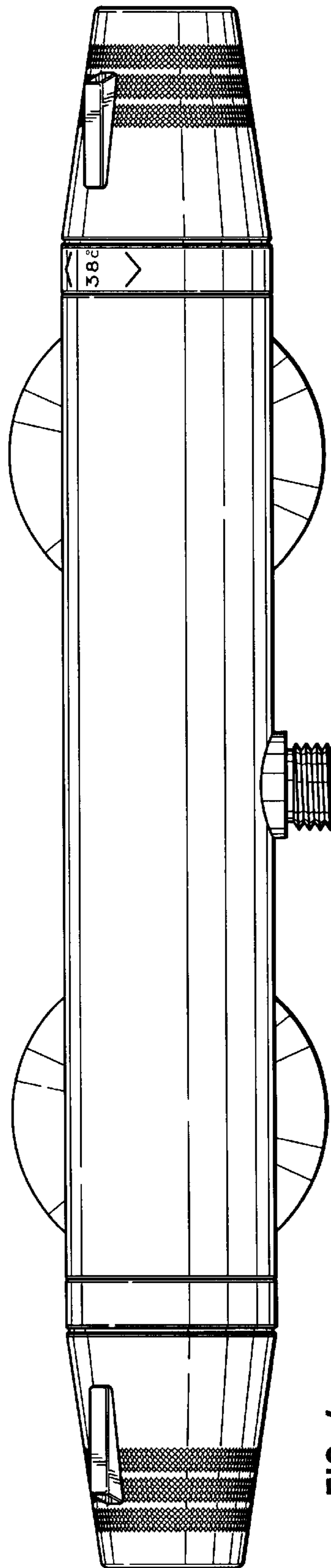
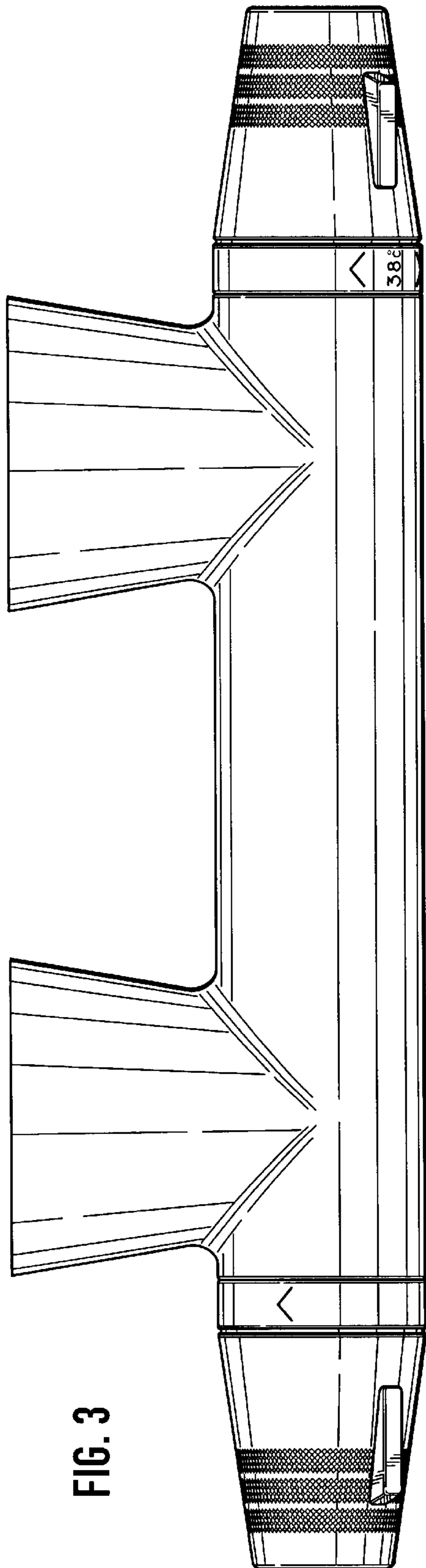


FIG. 2



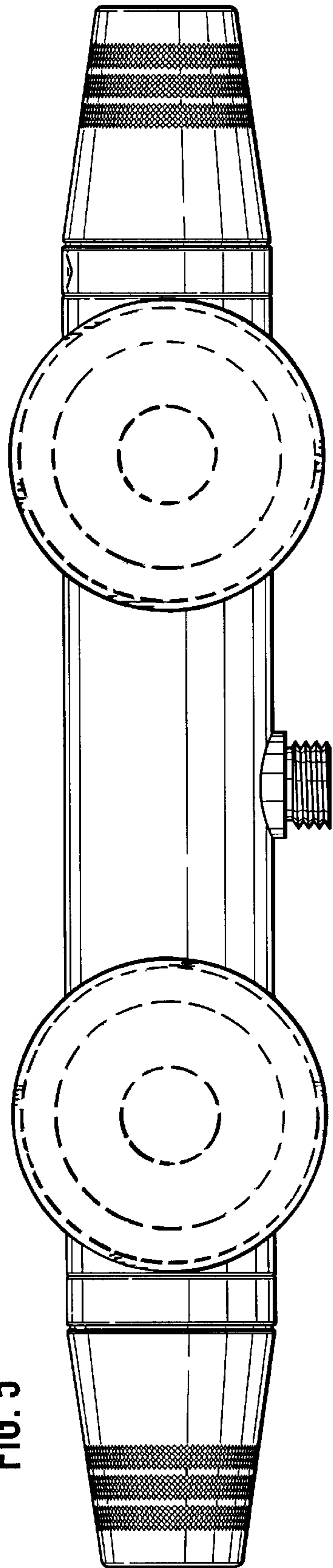


FIG. 5

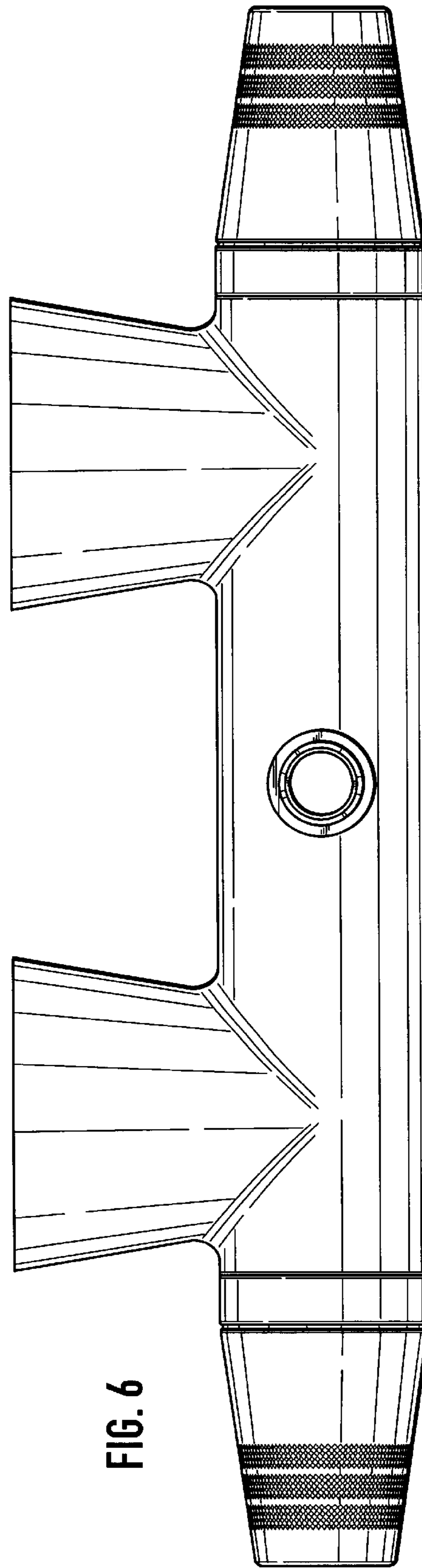


FIG. 6