

US00D493209S1

(12) **United States Design Patent**
Wade

(10) **Patent No.: US D493,209 S**
(45) **Date of Patent: ** Jul. 20, 2004**

(54) **FLAP VALVE**

(76) **Inventor: Rodney George Wade, 148**
Wongawallen Drive, Upper Coomera
Queensland (AU), 4210

(**) **Term: 14 Years**

(21) **Appl. No.: 29/192,639**

(22) **Filed: Oct. 29, 2003**

(51) **LOC (7) Cl. 23-01**

(52) **U.S. Cl. D23/233**

(58) **Field of Search D23/233-249,**
D23/353, 393

(56) **References Cited**

U.S. PATENT DOCUMENTS

D53,220 S	*	4/1919	Genn	D10/120
3,541,945 A	*	11/1970	Wexler	454/359
3,628,213 A	*	12/1971	Ramo	15/352
3,814,542 A	*	6/1974	Iglesias et al.	417/12
4,157,113 A	*	6/1979	Karran et al.	165/42
D297,382 S	*	8/1988	Swett	D2/969

5,046,408 A	*	9/1991	Eugenio	454/359
5,547,422 A	*	8/1996	Seboldt	454/359
D397,431 S	*	8/1998	Meyer	D23/393
D399,948 S	*	10/1998	Tsuji	D23/411
D417,905 S	*	12/1999	Kallenbach et al.	D23/235
6,132,626 A	*	10/2000	Hart	210/741

* cited by examiner

Primary Examiner—Nelson C. Holtje

(74) *Attorney, Agent, or Firm*—Nixon & Vanderhye, P.C.

(57) **CLAIM**

The ornamental design for a flap valve, as shown and described.

DESCRIPTION

FIG. 1 is a plan view of a flap valve showing my new design;
FIG. 2 is a side elevation view thereof;
FIG. 3 is a vertical sectional view thereof;
FIG. 4 is a top perspective view of the flap valve with its flap
in a closed position; and,
FIG. 5 is a bottom perspective view thereof.

1 Claim, 2 Drawing Sheets

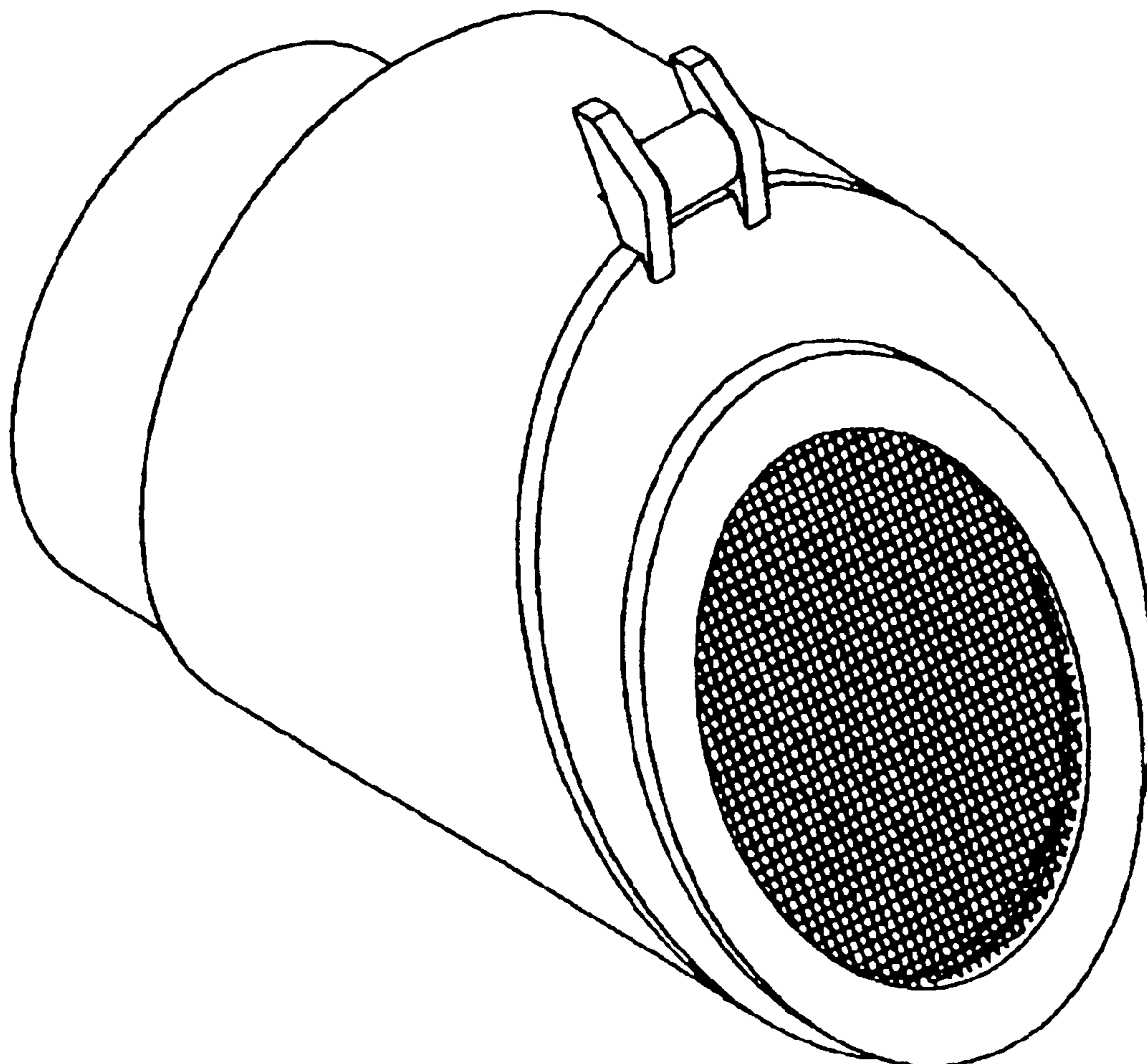


FIG 1

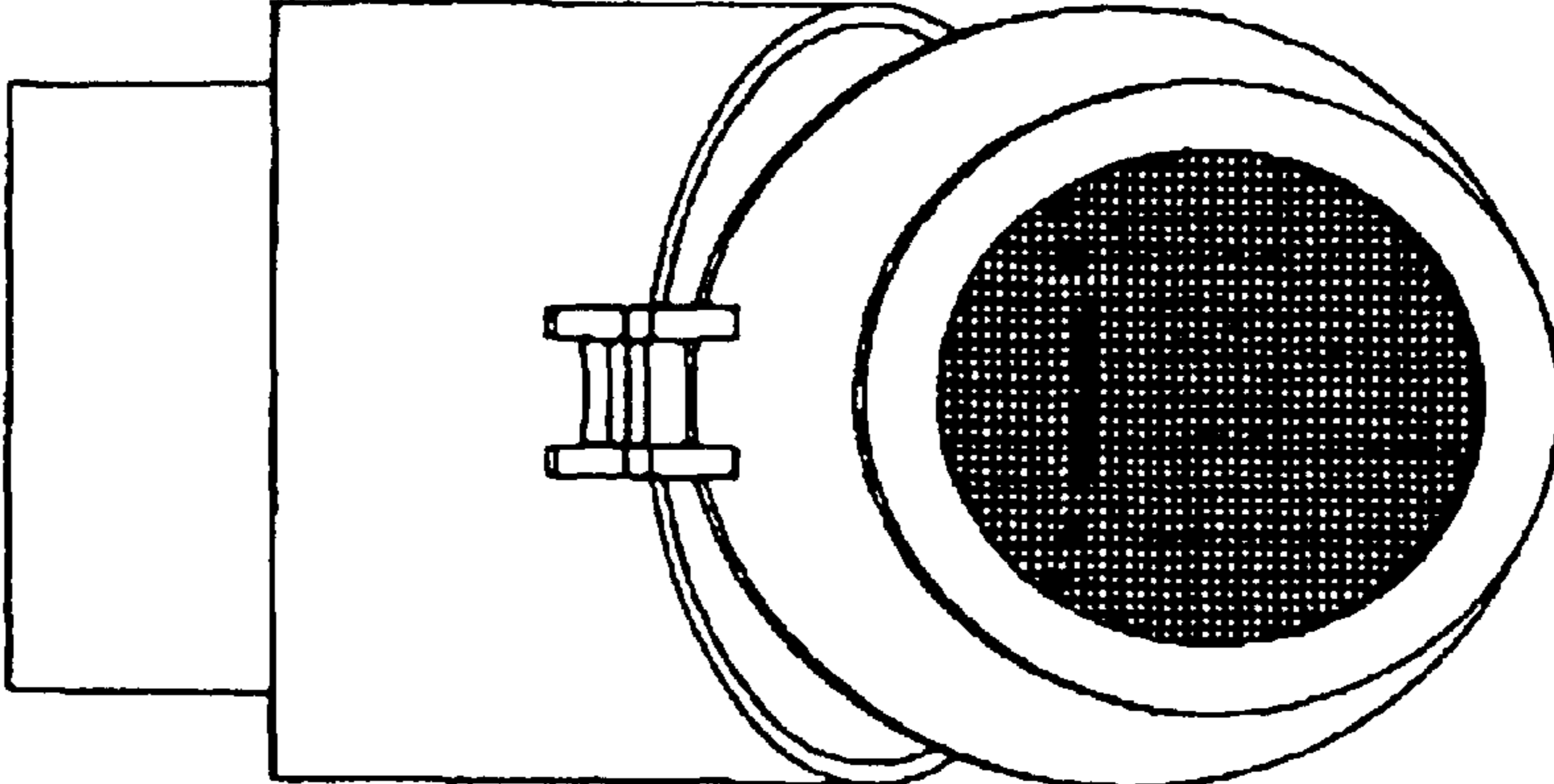


FIG 2

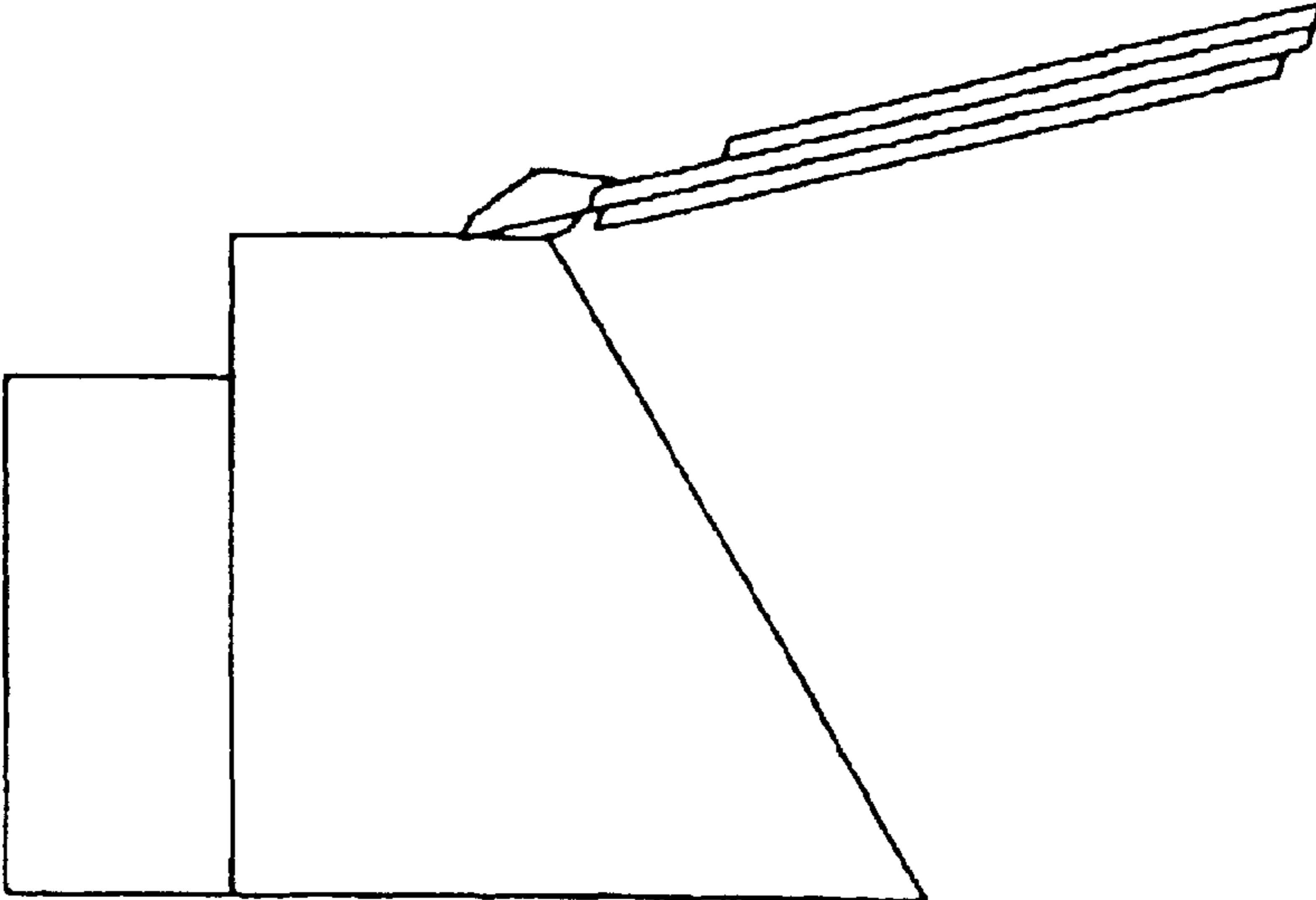
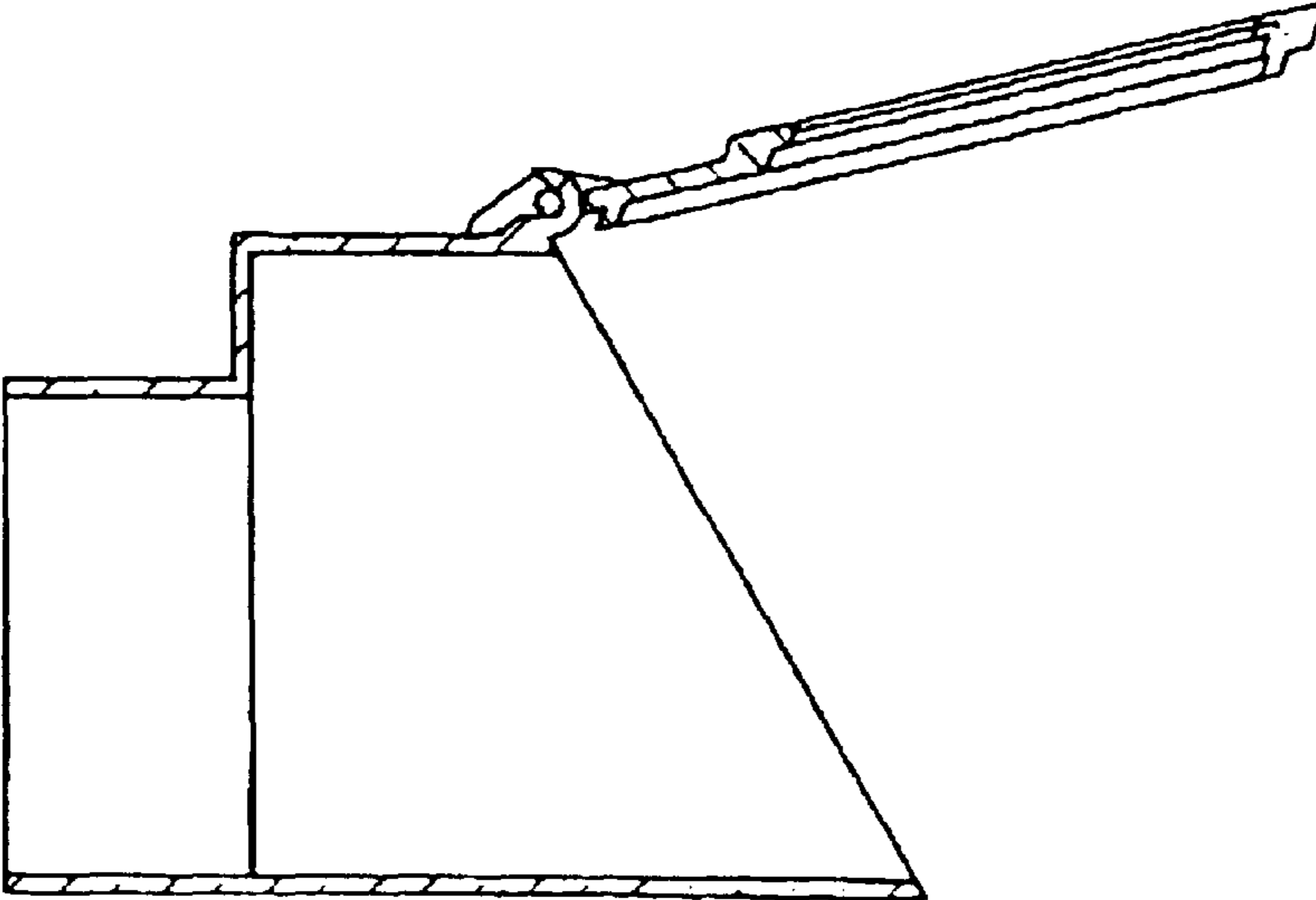


FIG 3



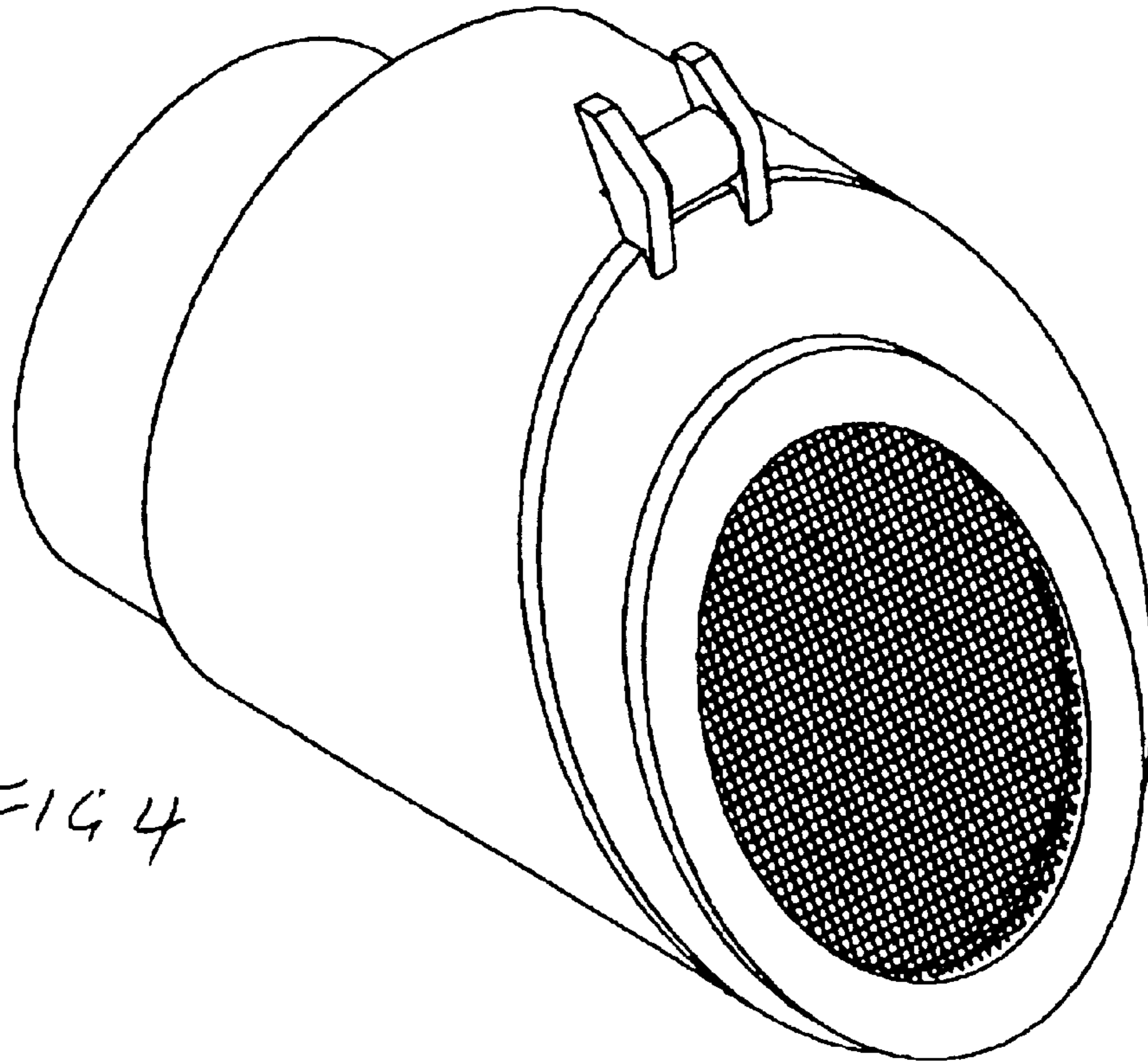


FIG 4

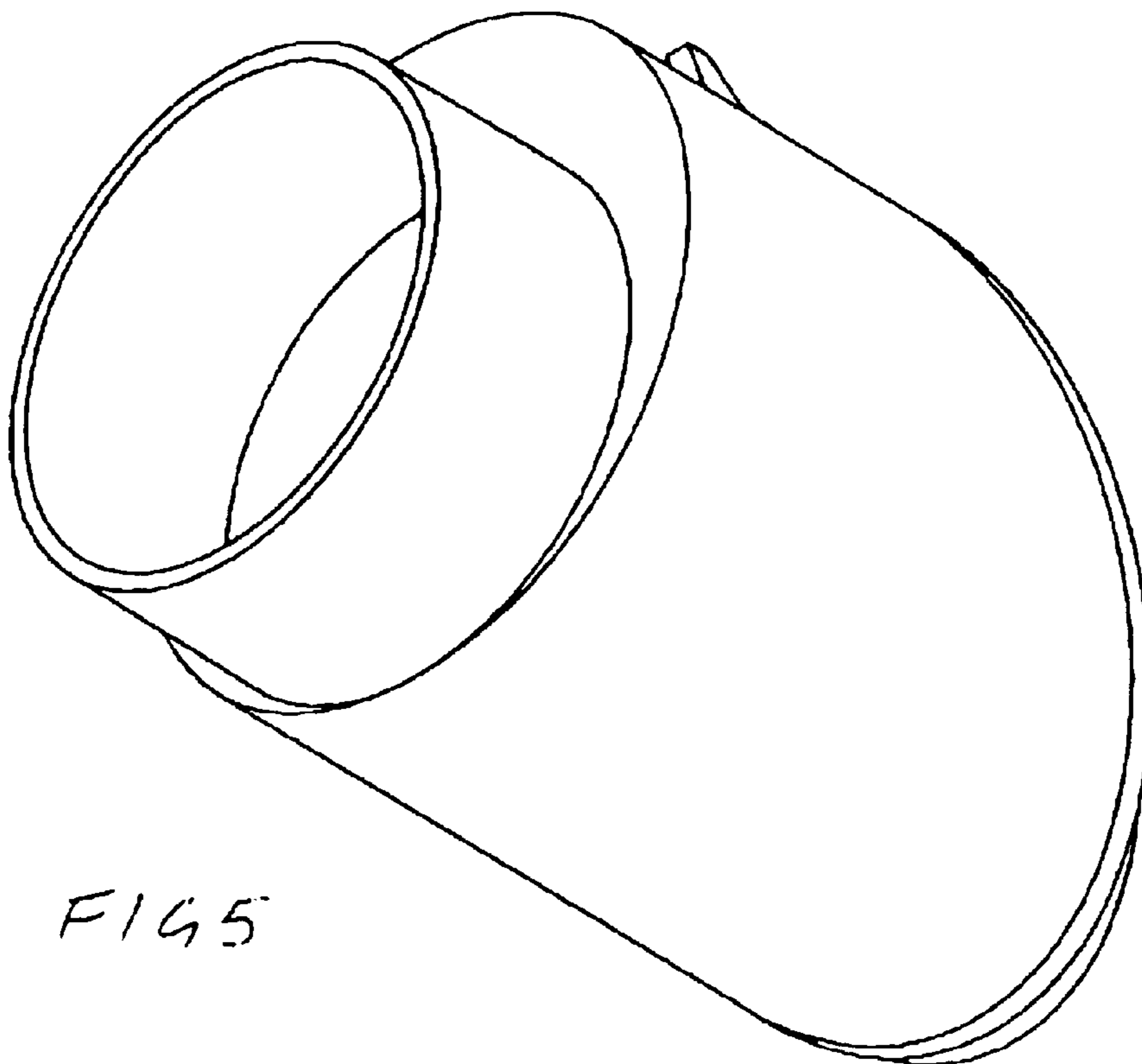


FIG 5