

US00D493206S1

(12) **United States Design Patent**
McPherson, Jr.

(10) **Patent No.:** **US D493,206 S**
(45) **Date of Patent:** **** Jul. 20, 2004**

(54) **GAME RANGING DEVICE**
(76) **Inventor:** **William G. McPherson, Jr.**, 220
Majestic Pines La., Trussville, AL (US)
35173

(**) **Term:** **14 Years**

(21) **Appl. No.:** **29/168,551**

(22) **Filed:** **Oct. 3, 2002**

(51) **LOC (7) Cl.** **22-01**
(52) **U.S. Cl.** **D22/109**
(58) **Field of Search** D22/100, 103,
D22/104, 105, 108, 109, 199; 42/111, 112,
134, 135, 136, 137, 139, 143, 144, 145,
148

(56) **References Cited**

U.S. PATENT DOCUMENTS

1,160,157 A	11/1915	Flues	
1,205,756 A	11/1916	LeBaron	
2,127,565 A	* 8/1938	King et al.	42/137
D173,263 S	10/1954	Fink	
2,795,048 A	6/1957	Seymour	
D183,136 S	7/1958	McCabe	
2,855,680 A	10/1958	Christensen	
3,112,566 A	12/1963	Jones	
3,171,226 A	3/1965	Into	
3,840,995 A	10/1974	Freiling	
3,974,586 A	8/1976	Kappner	
4,203,243 A	5/1980	Hickman	
D308,089 S	* 5/1990	Sanders	D22/109
4,962,589 A	10/1990	LaRosa	

5,054,204 A	10/1991	Ward et al.	
5,208,407 A	* 5/1993	Stover	42/112
6,421,946 B1	* 7/2002	LoRocco	42/111
6,446,377 B1	* 9/2002	Hollenbach et al.	42/148
2002/0073597 A1	* 6/2002	LoRocco	42/111

* cited by examiner

Primary Examiner—Louis S. Zarfaz

Assistant Examiner—Monica A. Weingart

(74) *Attorney, Agent, or Firm*—Smith, Gambrell & Russell

(57) **CLAIM**

The ornamental design for a game ranging device, as shown and described.

DESCRIPTION

FIG. 1 is a perspective view of the game ranging device of the present invention;

FIG. 2 is an end elevational view of the game ranging device;

FIG. 3 is a side elevational view of the game ranging device taken along lines 3—3 of FIG. 1;

FIG. 4 is a side elevational view of the game ranging device taken along lines 4—4 of FIG. 1;

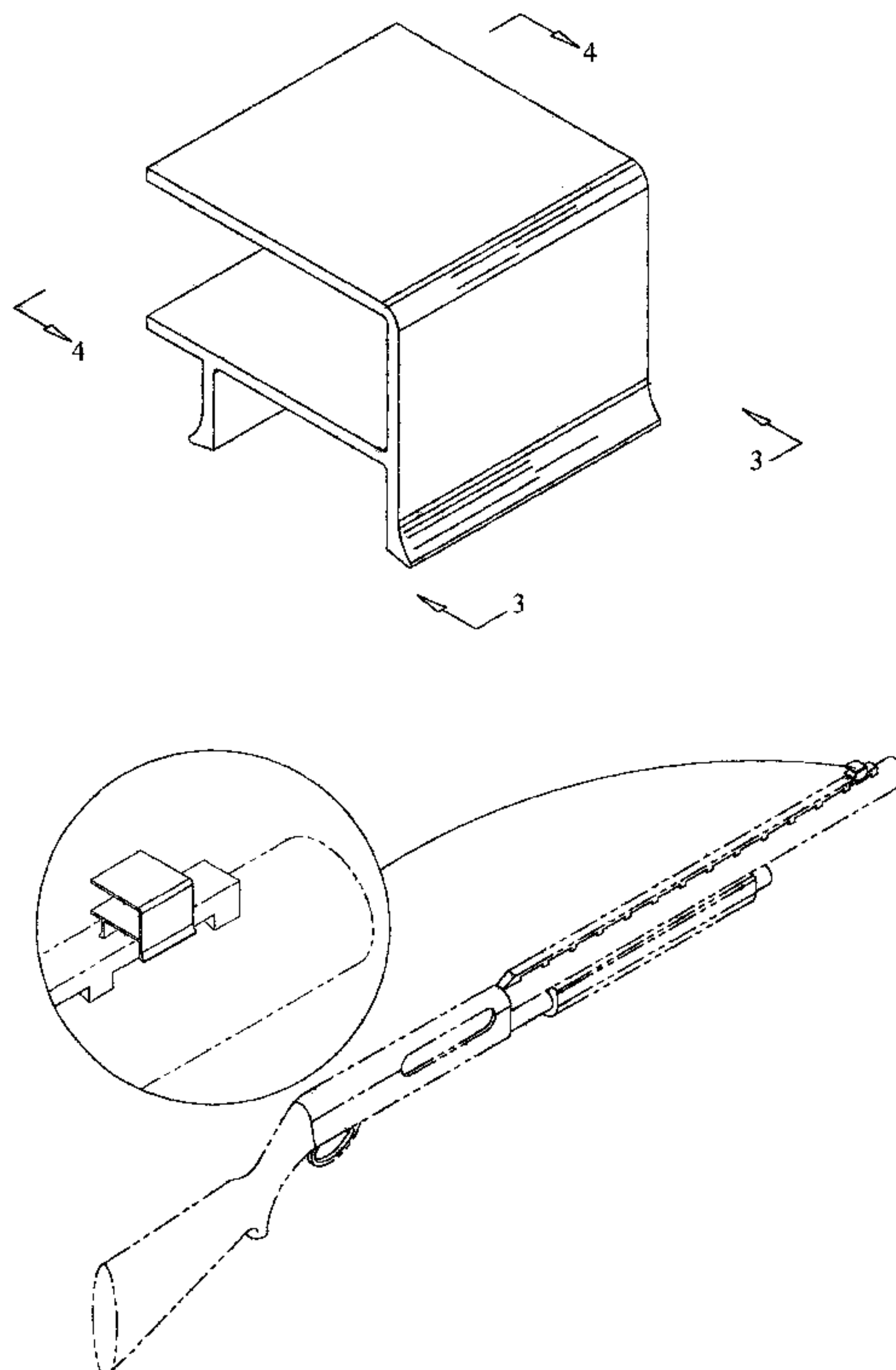
FIG. 5 is a top plan view of the game ranging device;

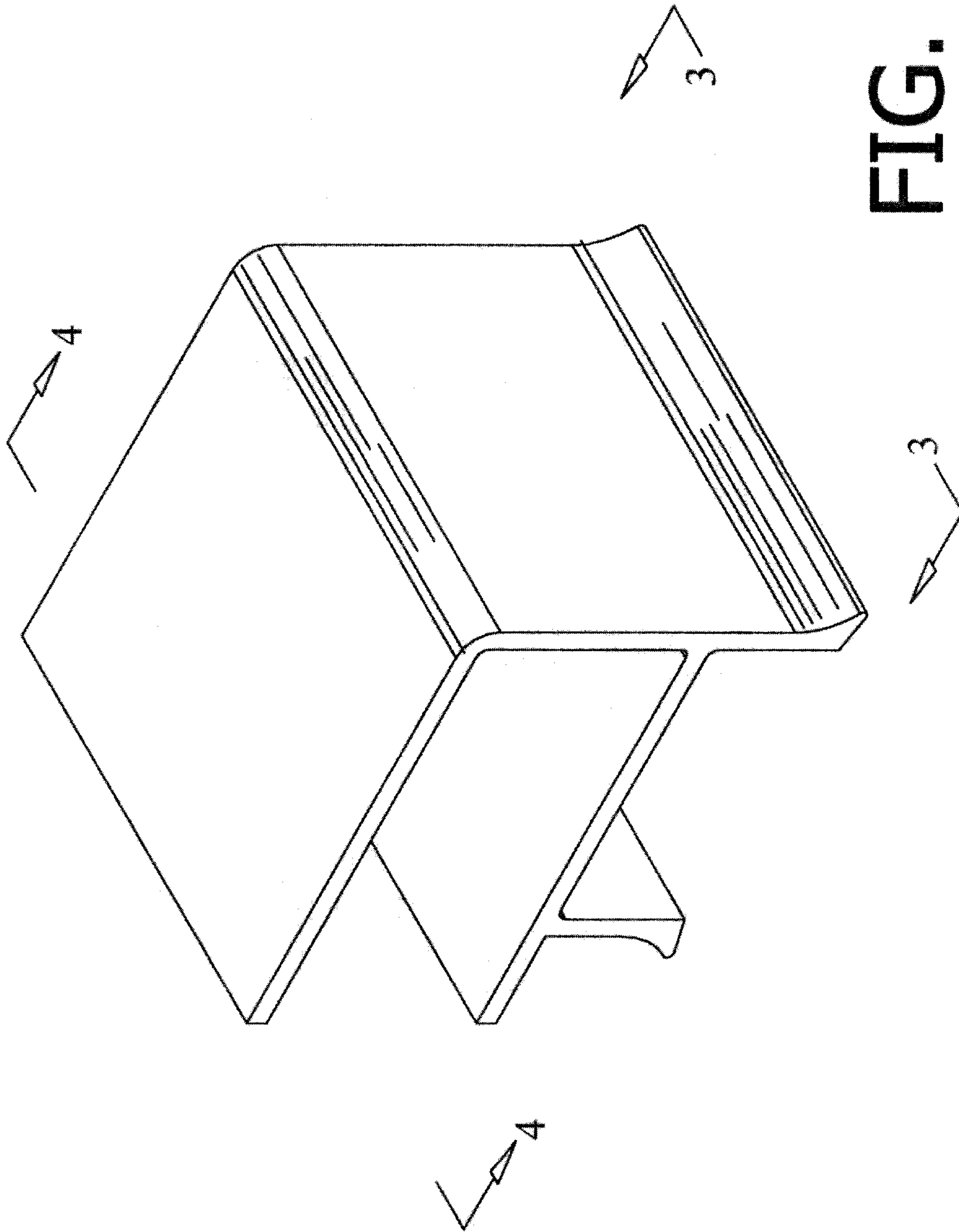
FIG. 6 is a bottom view of the game ranging device; and,

FIG. 7 is a perspective view of the game ranging device attached to a firearm.

The broken line showing of a firearm, in FIG. 7, is for illustrative purposes only and forms no part of the claimed design.

1 Claim, 7 Drawing Sheets





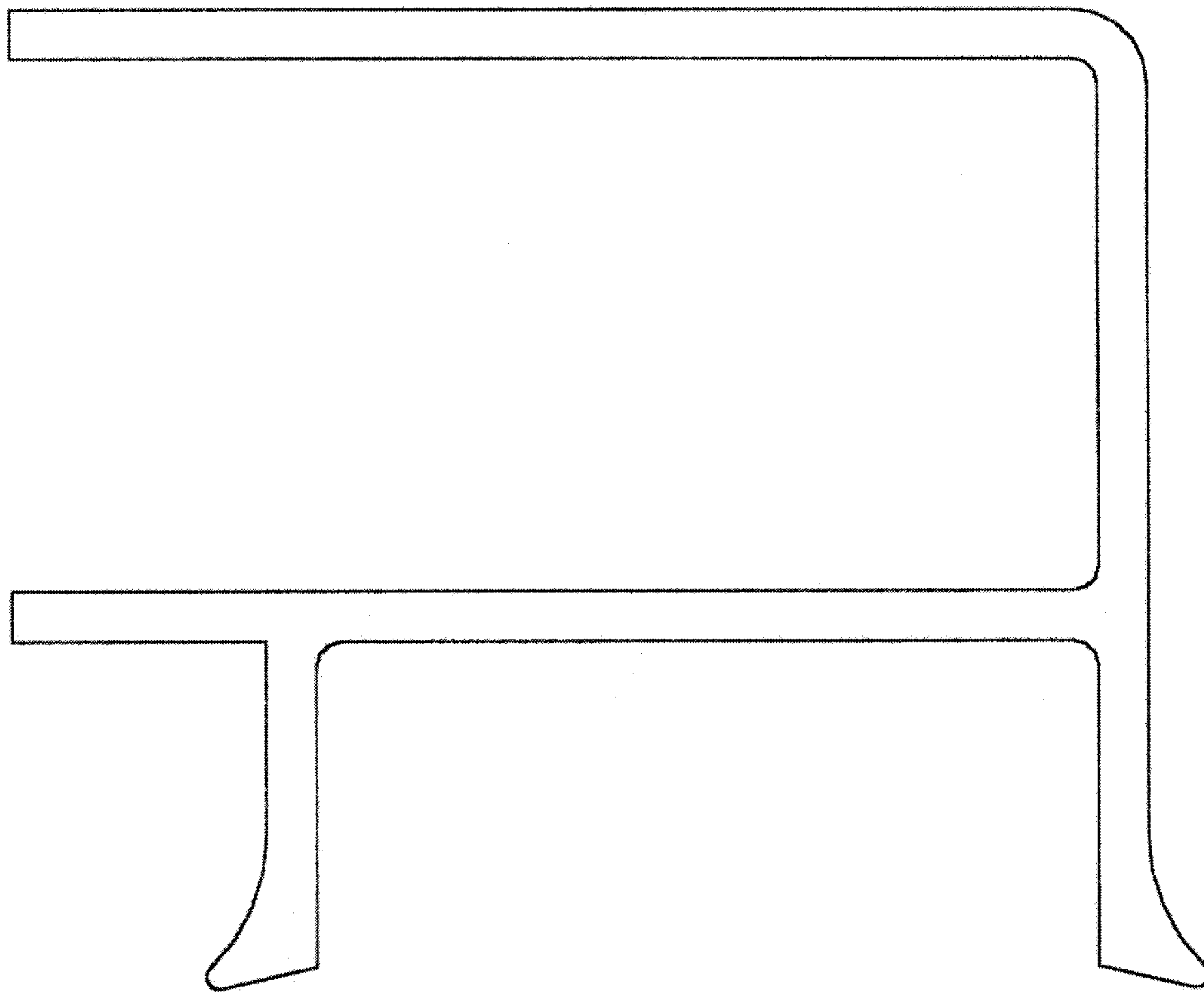


FIG. 2

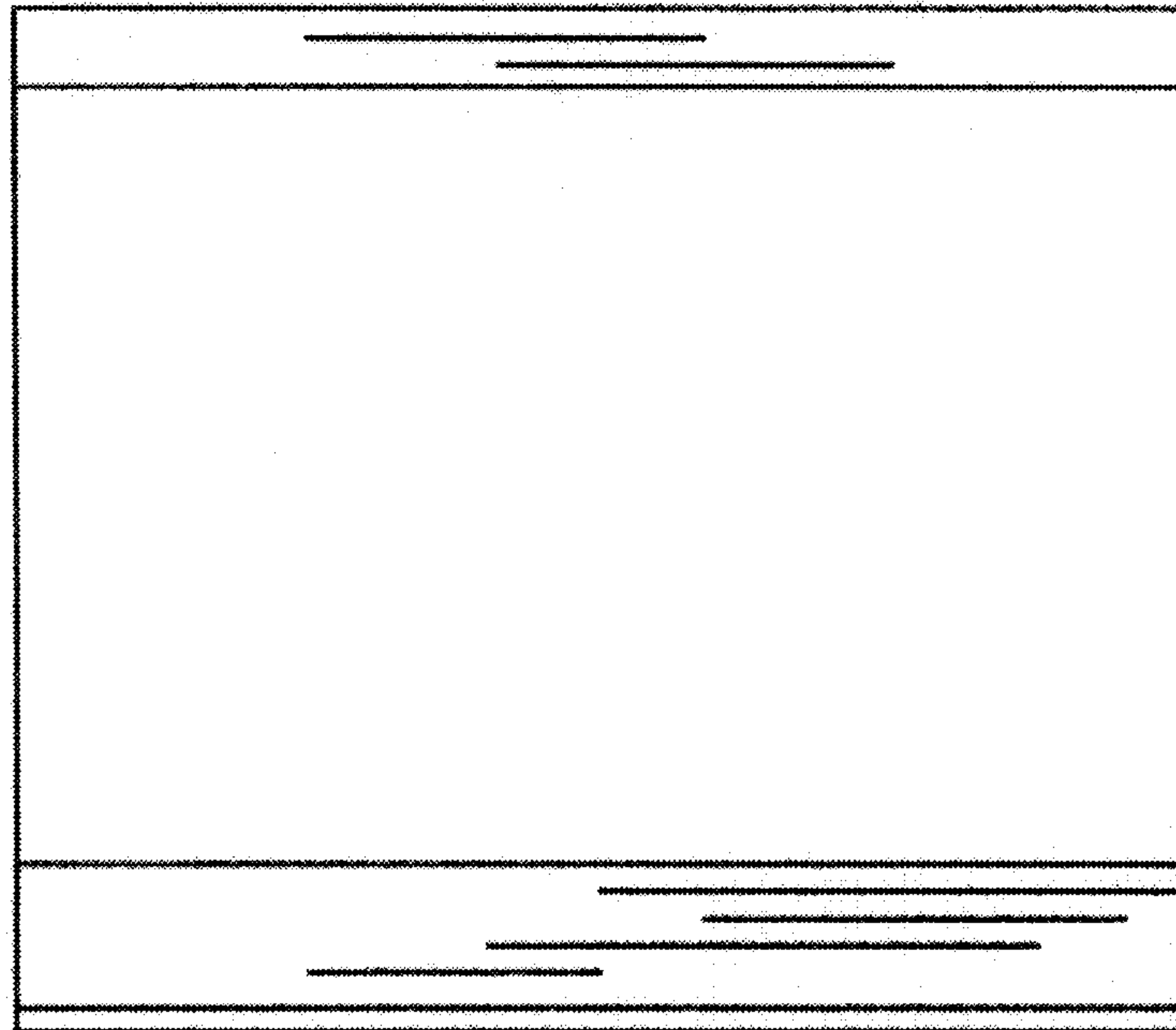


FIG. 3

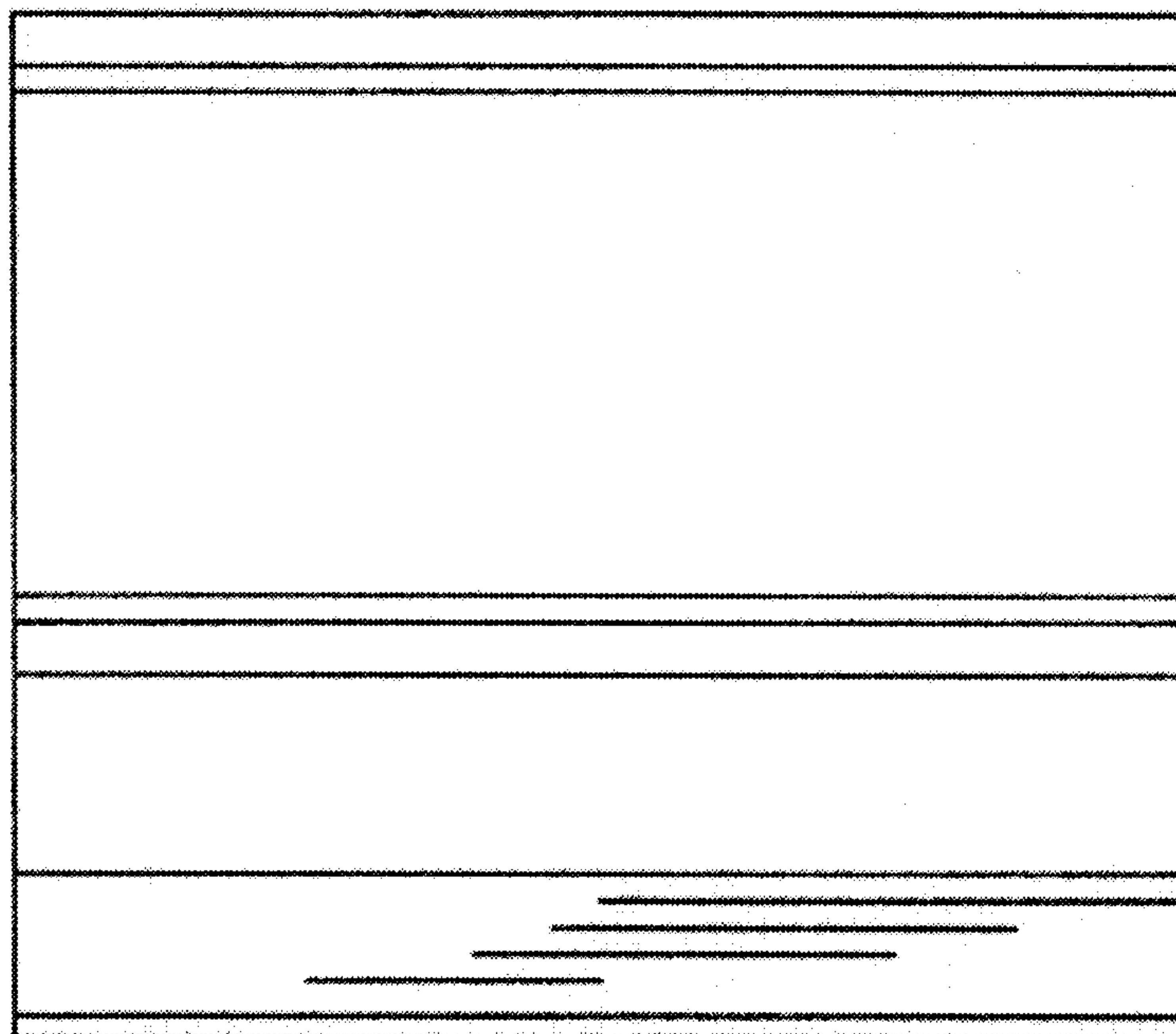


FIG. 4

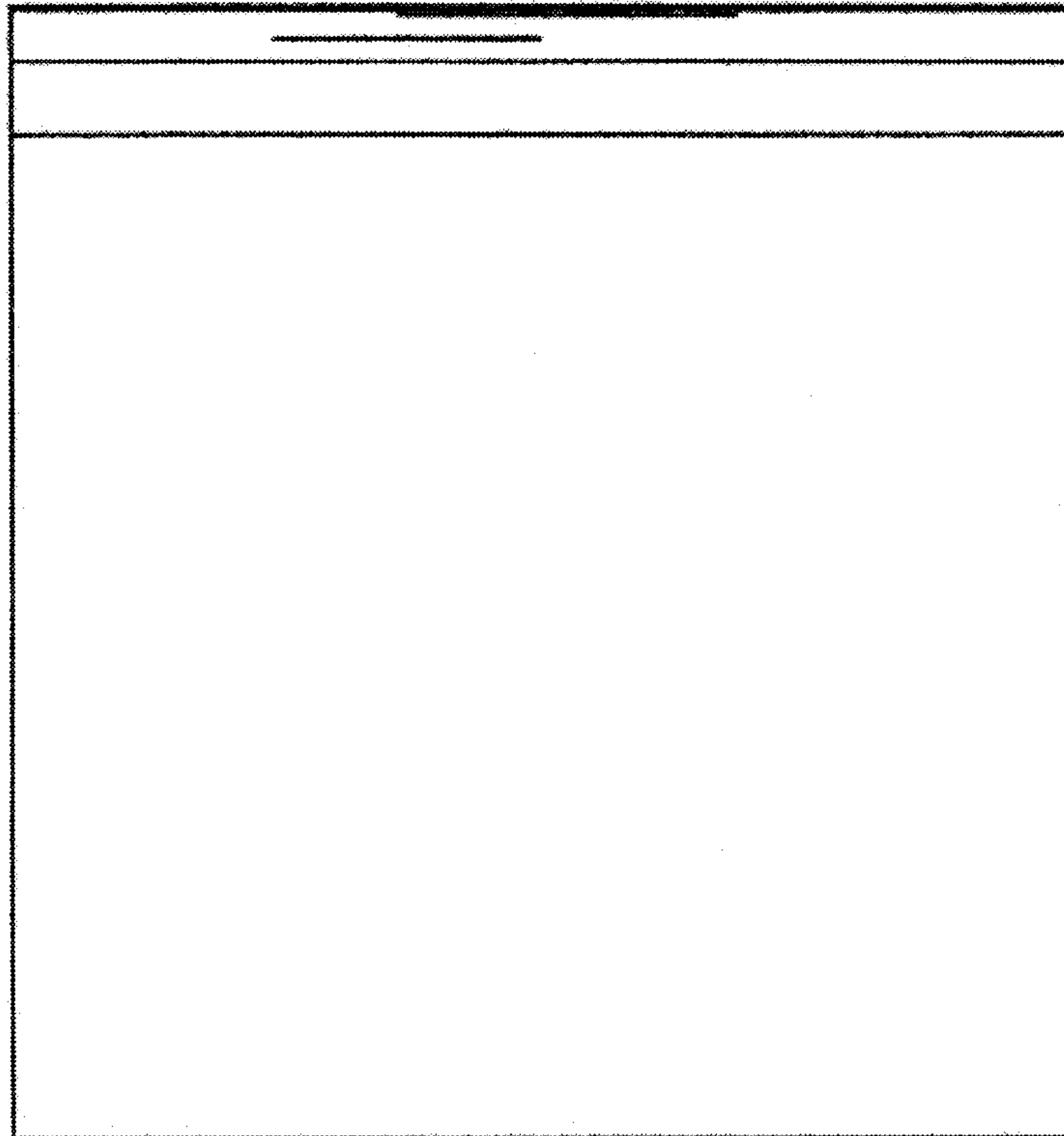


FIG. 5

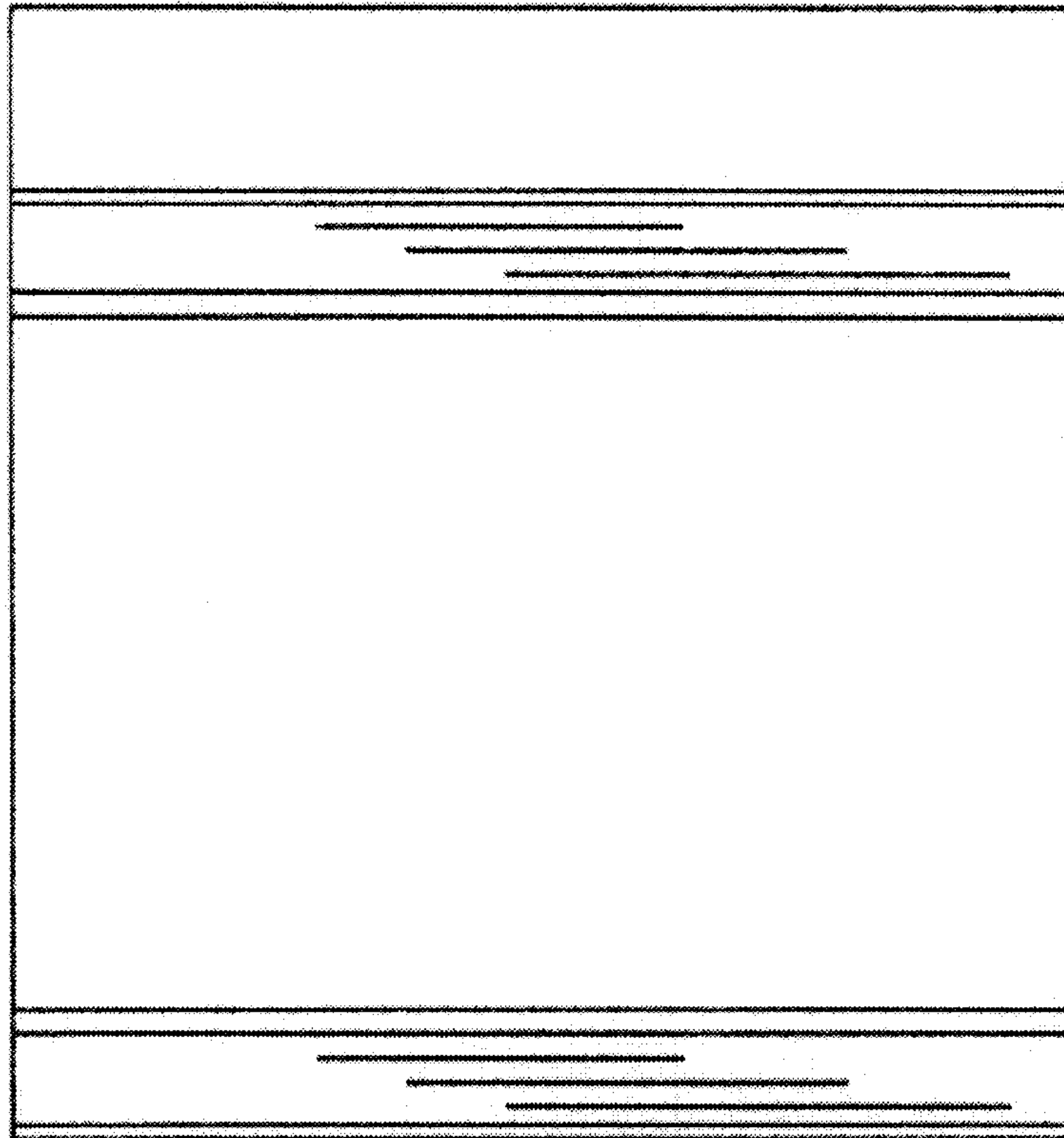


FIG. 6

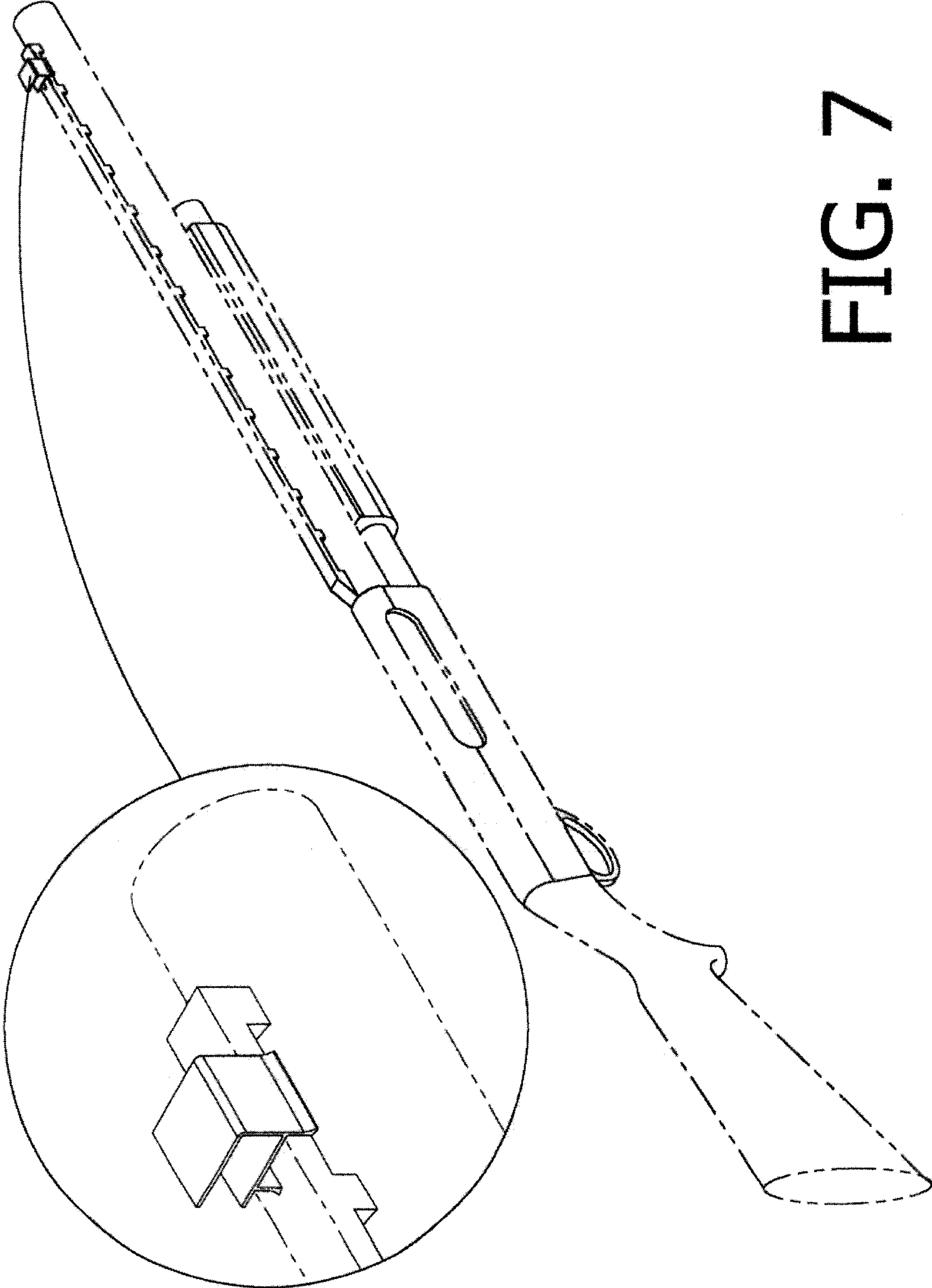


FIG. 7