

US00D493205S1

(12) **United States Design Patent**
Combes

(10) **Patent No.:** **US D493,205 S**
(45) **Date of Patent:** **** Jul. 20, 2004**

(54) **GROUND STAKE**

(76) **Inventor:** **Brian H. Combes**, 8992 W. Temple Pl.,
Littleton, CO (US) 80123

(**) **Term:** **14 Years**

(21) **Appl. No.:** **29/172,216**

(22) **Filed:** **Dec. 6, 2002**

(51) **LOC (7) Cl.** **21-04**

(52) **U.S. Cl.** **D21/840**

(58) **Field of Search** D21/840; D8/1,
D8/388; D26/67, 142, 149; 135/118; 52/155,
154; 248/499, 156, 87

(56) **References Cited**

U.S. PATENT DOCUMENTS

412,766	A	*	10/1889	Lounsberry	52/154
484,998	A	*	10/1892	Comstock	135/118
D164,994	S	*	10/1951	Johannesen	D21/840
3,280,829	A	*	10/1966	Glendenning et al.	135/118
3,456,660	A	*	7/1969	Borchardt	135/118
D231,628	S	*	5/1974	Bartels	D8/392
5,226,829	A	*	7/1993	Jones	135/118
D378,980	S	*	4/1997	Thayer et al.	D8/1
D380,569	S	*	7/1997	Garber	D8/388
D380,947	S	*	7/1997	Adams	D8/1
D415,018	S	*	10/1999	Uhler	D21/840

* cited by examiner

Primary Examiner—Raphael Barkai

(74) *Attorney, Agent, or Firm*—Brian D. Smith, P.C.

(57) **CLAIM**

The ornamental design for my ground stake, as shown and described.

DESCRIPTION

FIG. 1 is a perspective view of a first embodiment of my design for a ground stake;

FIG. 2 is a rear elevation view of the ground stake of FIG. 1;

FIG. 3 is a front elevation view of the ground stake of FIG. 1;

FIG. 4 is a left side elevation view of the ground stake of FIG. 1;

FIG. 5 is a bottom plan view of the ground stake of FIG. 1;

FIG. 6 is a top plan view of the ground stake of FIG. 1;

FIG. 7 is a perspective view of a second embodiment of my design for a ground stake;

FIG. 8 is a rear elevation view of the ground stake of FIG. 7;

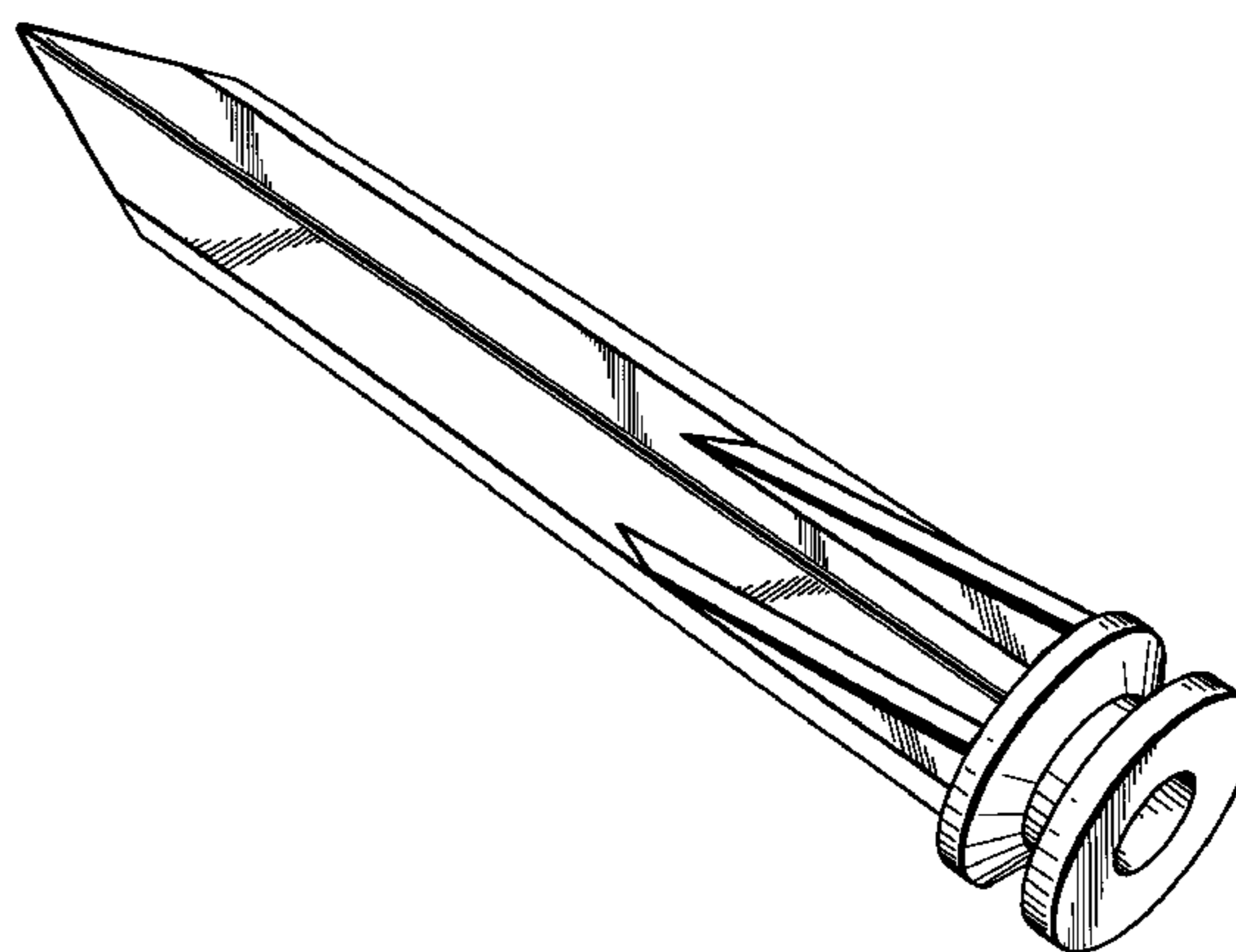
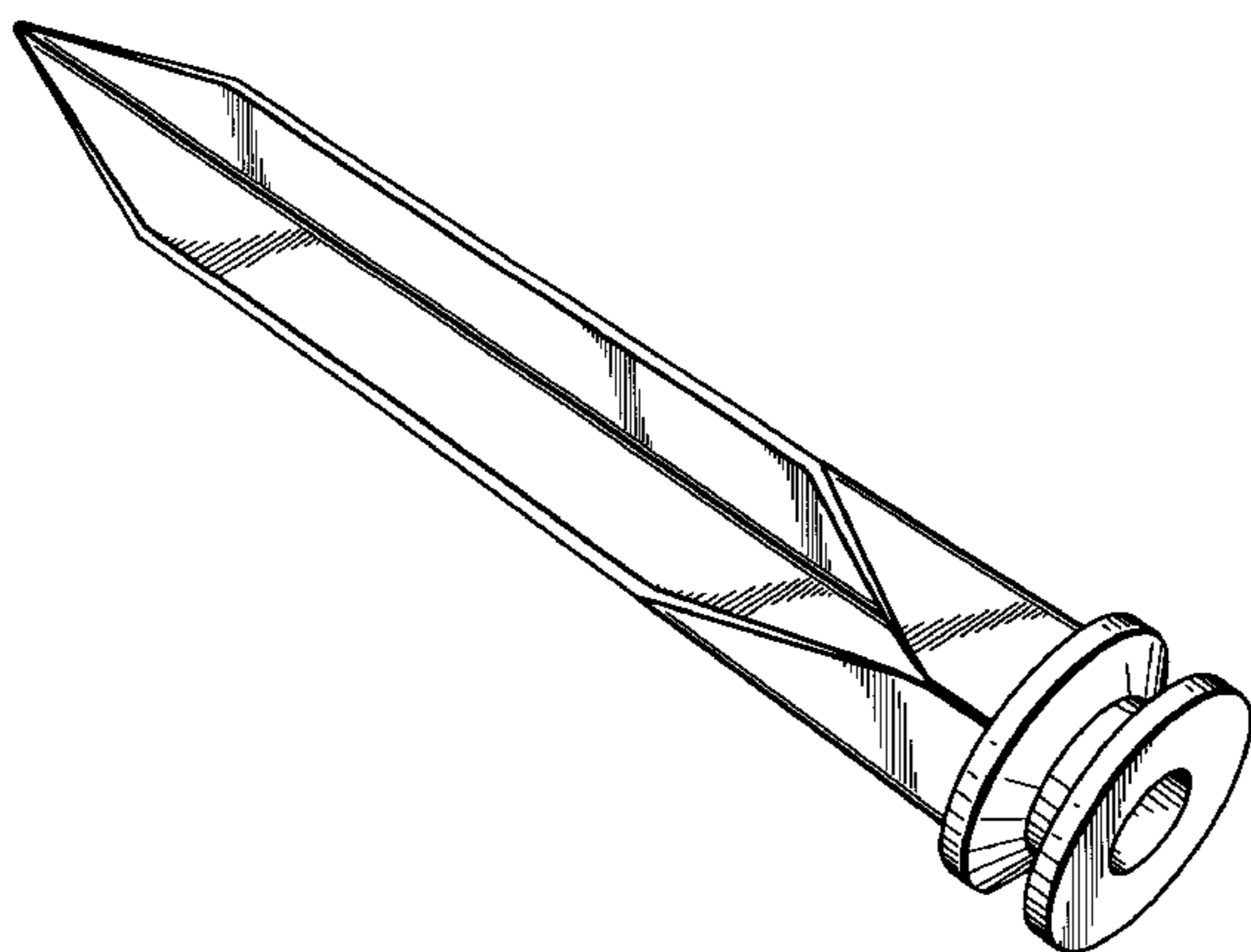
FIG. 9 is a front elevation view of the ground stake of FIG. 7;

FIG. 10 is a left side elevation view of the ground stake of FIG. 7;

FIG. 11 is a bottom plan view of the ground stake of FIG. 7; and,

FIG. 12 is a top plan view of the ground stake of FIG. 7.

1 Claim, 2 Drawing Sheets



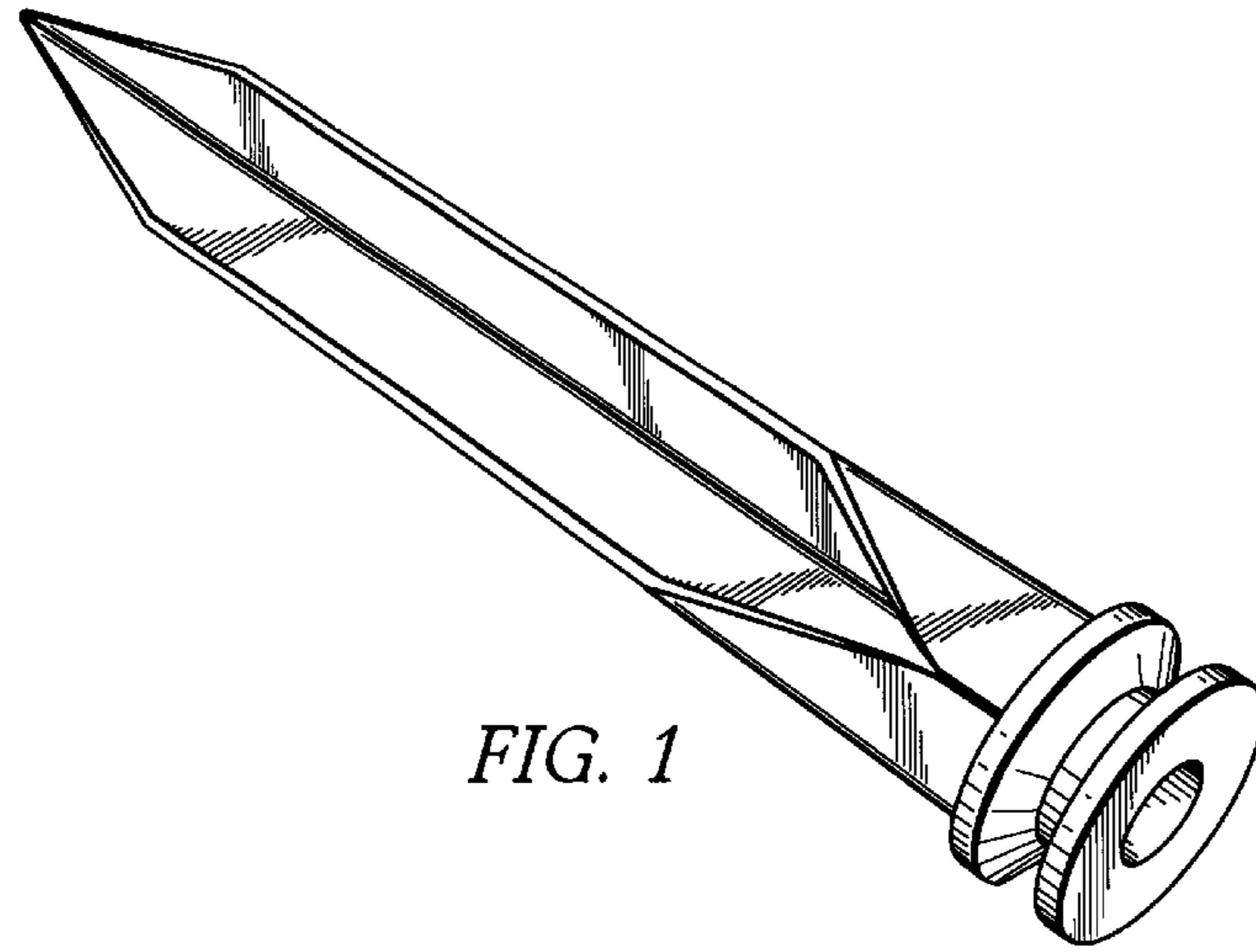


FIG. 1

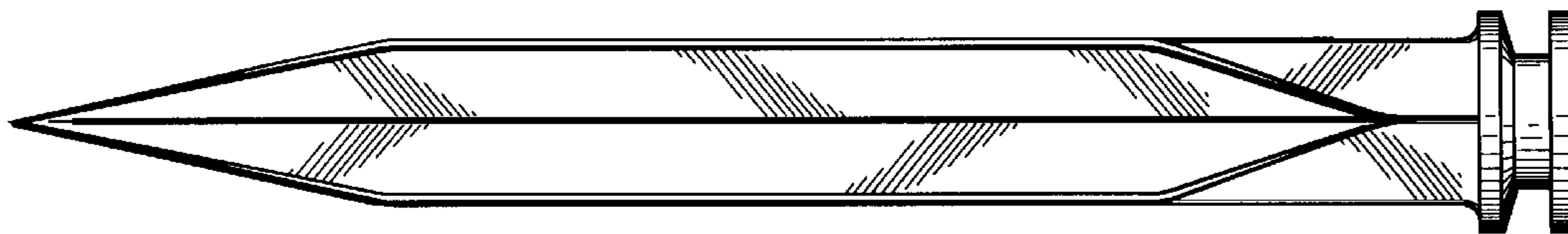


FIG. 2

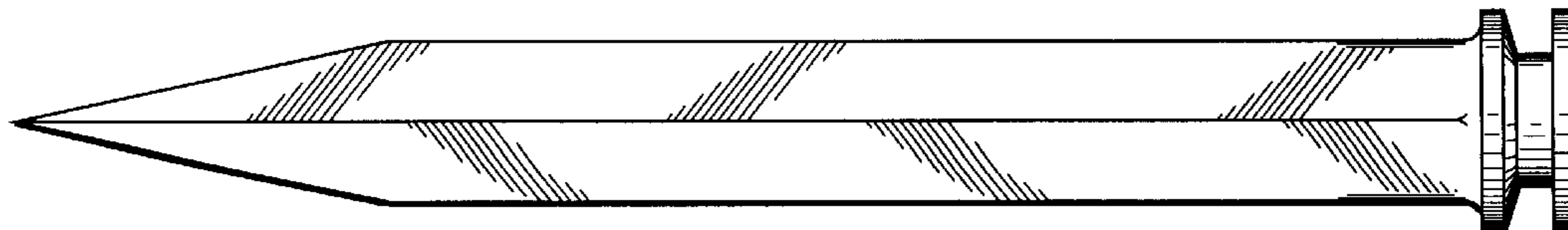


FIG. 3

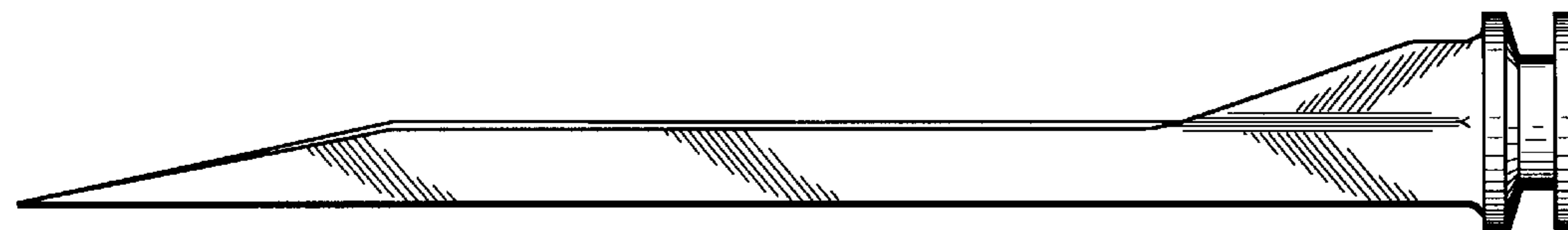


FIG. 4

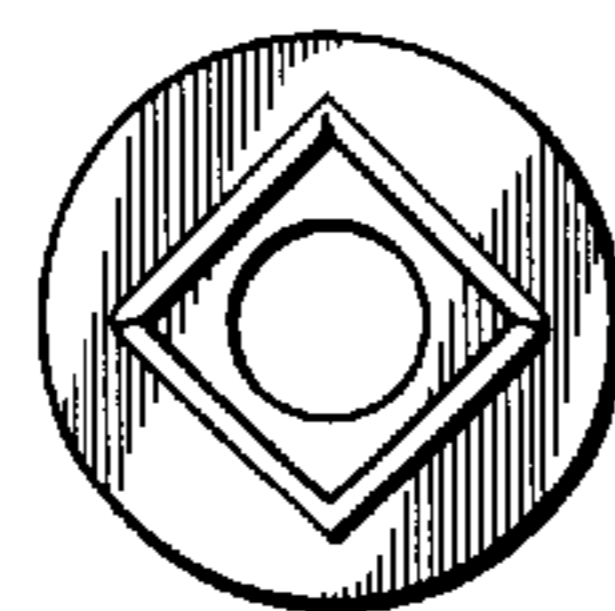


FIG. 5

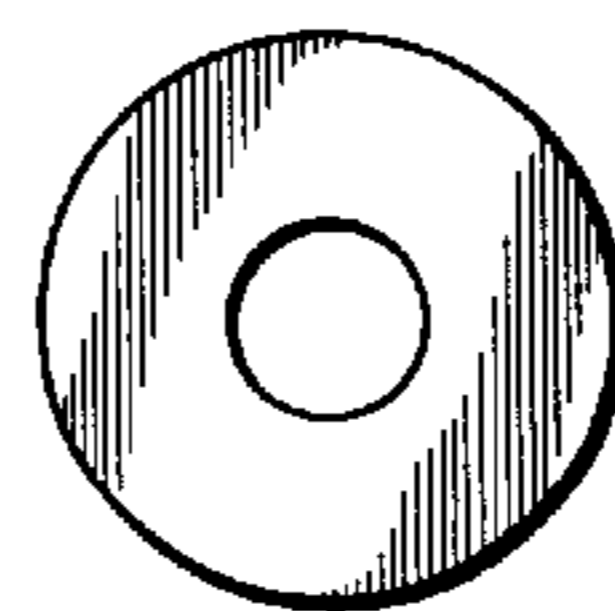


FIG. 6

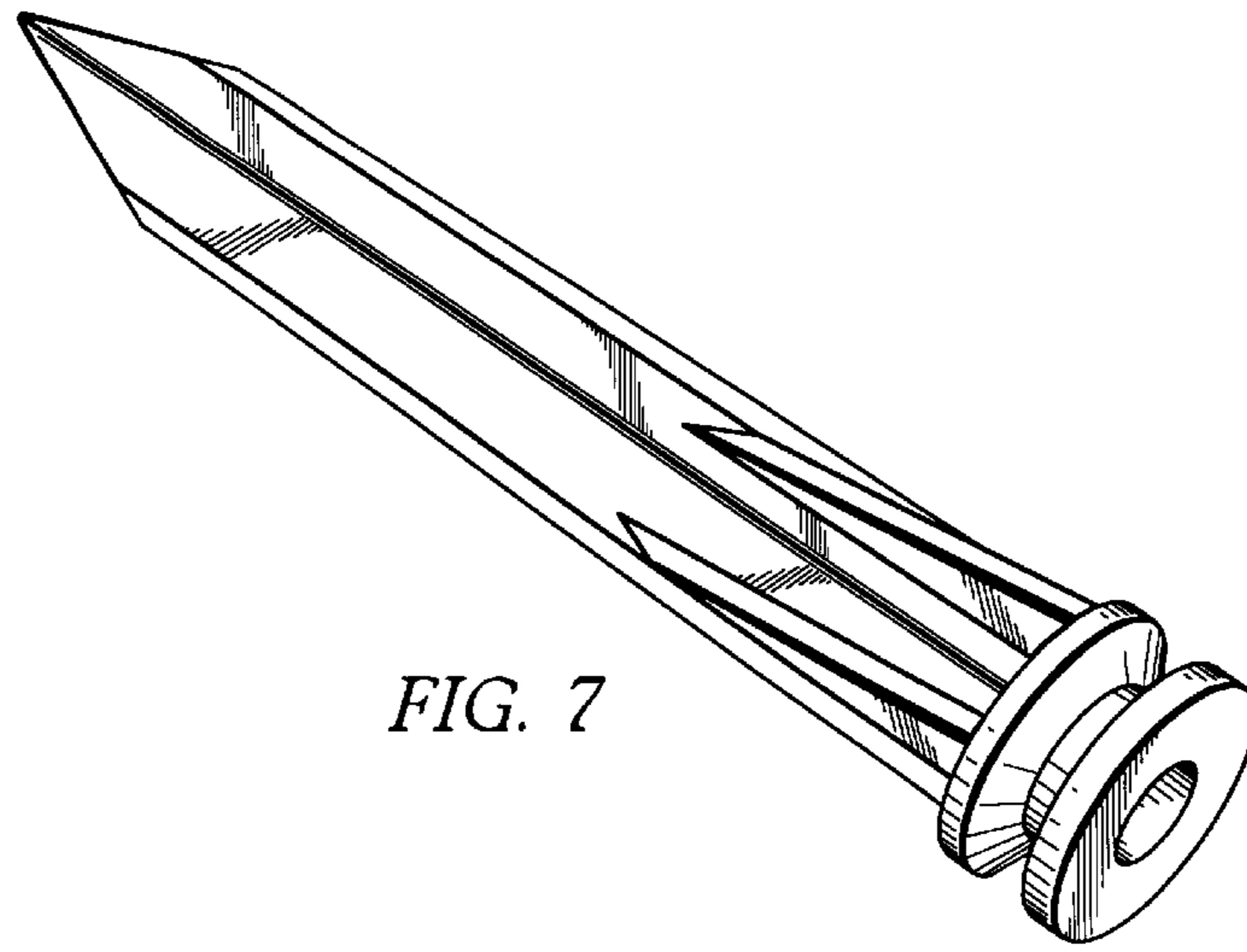


FIG. 7

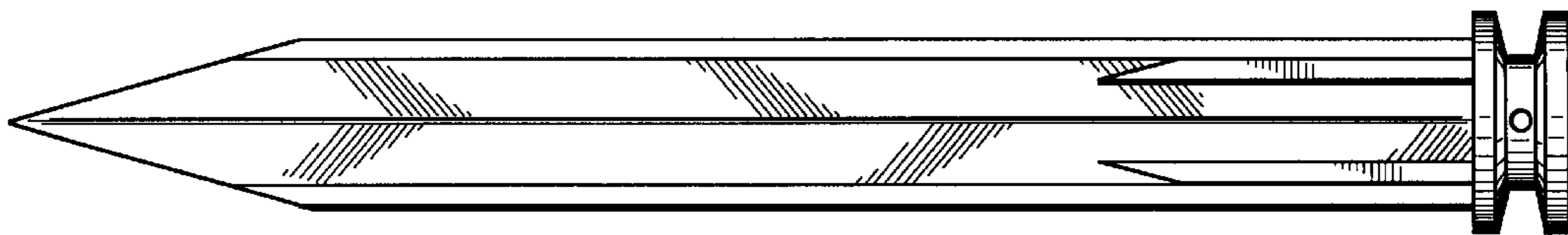


FIG. 8

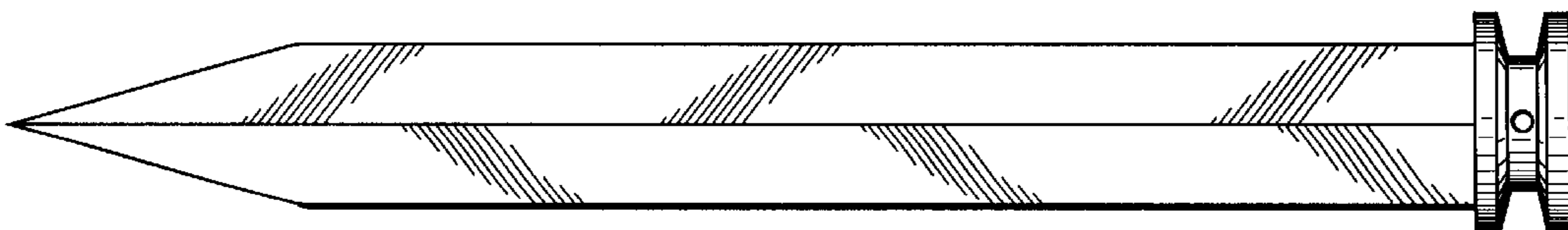


FIG. 9

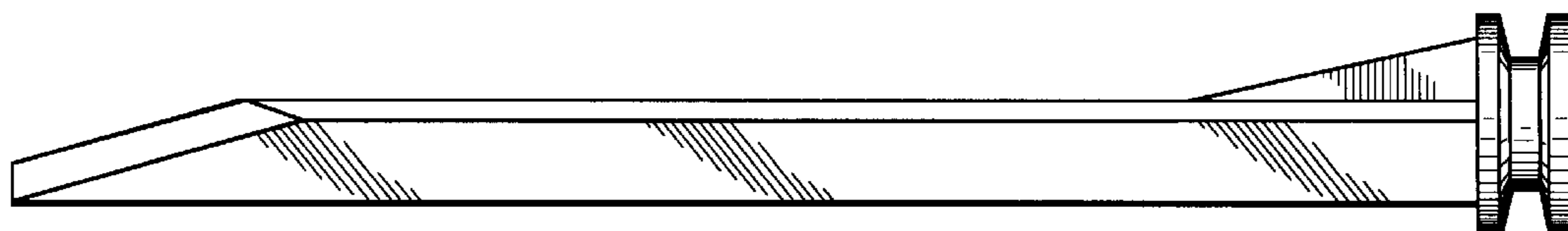


FIG. 10

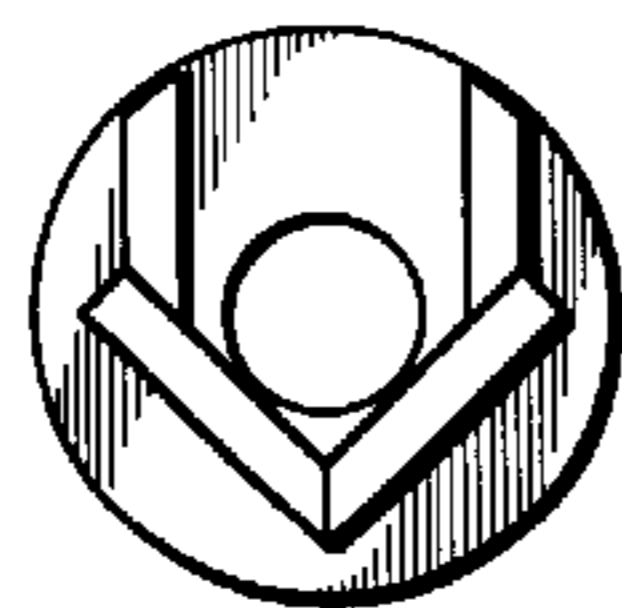


FIG. 11

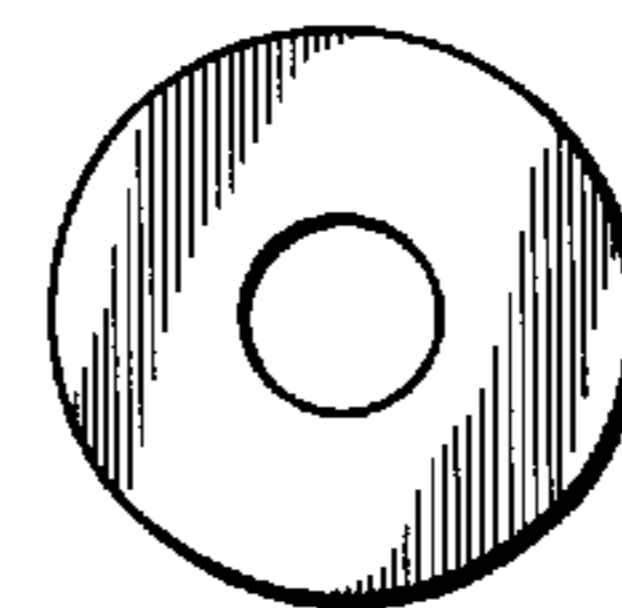


FIG. 12