

US00D493204S1

(12) **United States Design Patent**
Frank

(10) **Patent No.:** **US D493,204 S**
(45) **Date of Patent:** **** Jul. 20, 2004**

(54) **PLAYGROUND EQUIPMENT MODULE**

(76) Inventor: **John Frank**, 5250 Odenree, Skovalleen (DK), 9V

(**) Term: **14 Years**

(21) Appl. No.: **29/190,244**

(22) Filed: **Sep. 17, 2003**

D363,522 S	10/1995	Erlick	
D363,523 S	10/1995	Erlick	
D367,911 S	3/1996	van Huystee	
D370,708 S	6/1996	Erlick	
D370,957 S	6/1996	Erlick	
D377,075 S	12/1996	Temple et al.	
D394,894 S	6/1998	Strawcutter et al.	
6,095,950 A	8/2000	Katz	
D468,386 S	* 1/2003	Frank D21/818
D477,046 S	* 7/2003	Frank D21/826
D485,326 S	* 1/2004	Frank D21/826

Related U.S. Application Data

(62) Division of application No. 29/176,400, filed on Feb. 21, 2003, now Pat. No. Des. 485,326, which is a division of application No. 29/166,948, filed on Sep. 6, 2002, now Pat. No. Des. 477,046, which is a division of application No. 29/139,518, filed on Mar. 30, 2002, now Pat. No. Des. 468,386.

(30) **Foreign Application Priority Data**

Dec. 4, 2000 (DK) 2000 01330

(51) **LOC (7) Cl.** **21-03**

(52) **U.S. Cl.** **D21/826**

(58) **Field of Search** D21/811, 814,
D21/818-827; 482/35, 36

(56) **References Cited**

U.S. PATENT DOCUMENTS

D189,581 S	1/1961	Williams et al.
3,485,494 A	12/1969	Lieberman
D340,273 S	10/1993	Ezell
D344,773 S	3/1994	Aker et al.
D361,614 S	8/1995	Aker et al.

* cited by examiner

Primary Examiner—Mitchell Siegel

(74) *Attorney, Agent, or Firm*—William J. Sapone; Coleman Sudol Sapone, P.C.

(57) **CLAIM**

The ornamental design for a playground equipment module, as shown and described.

DESCRIPTION

FIG. 1 is a perspective view of a playground equipment module having three columns and a planar playground wall element;

FIG. 2 is a front view thereof;

FIG. 3 is a top view thereof;

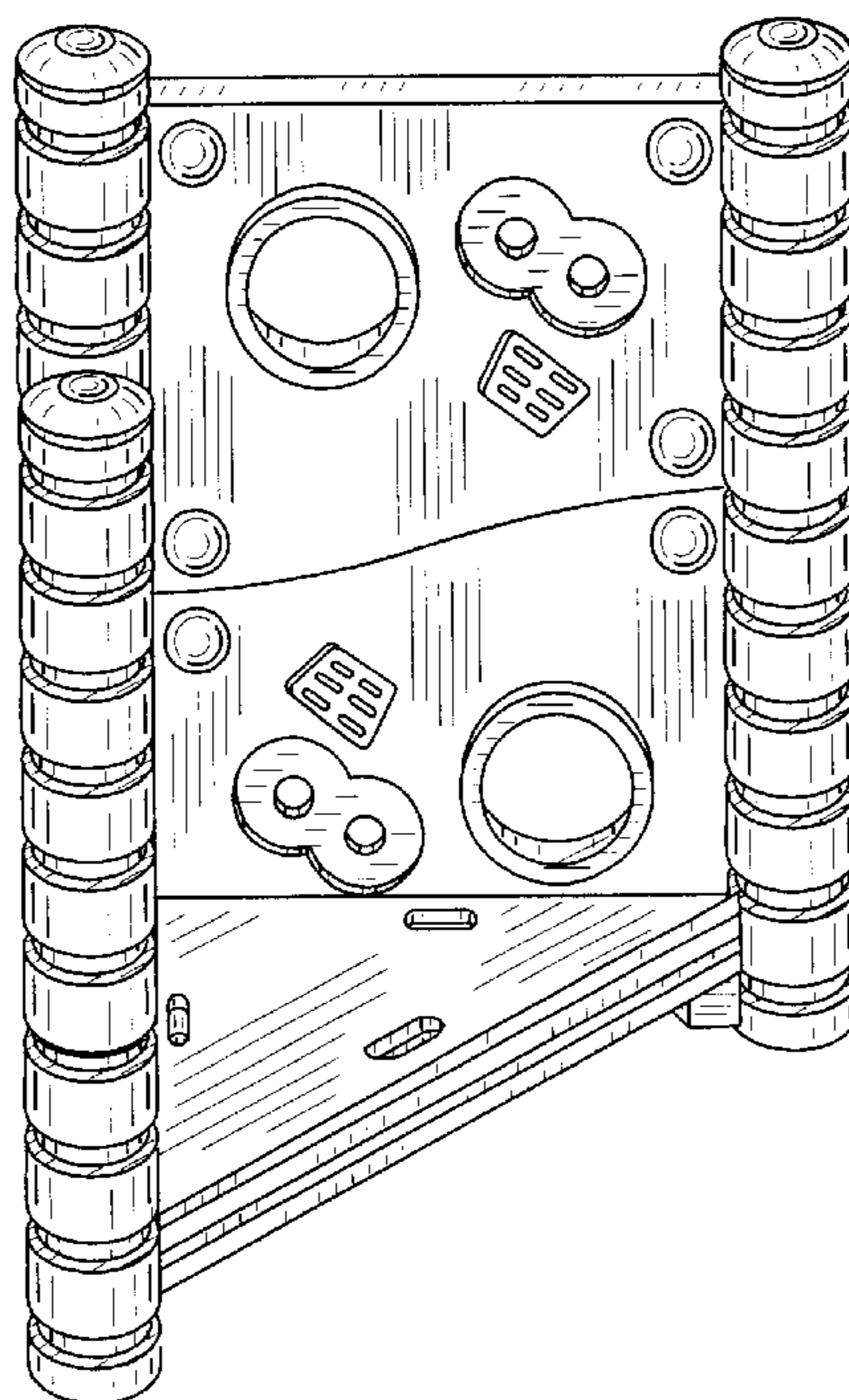
FIG. 4 is a rear view thereof;

FIG. 5 is a left side view thereof;

FIG. 6 is a bottom view thereof; and,

FIG. 7 is a right side view thereof.

1 Claim, 3 Drawing Sheets



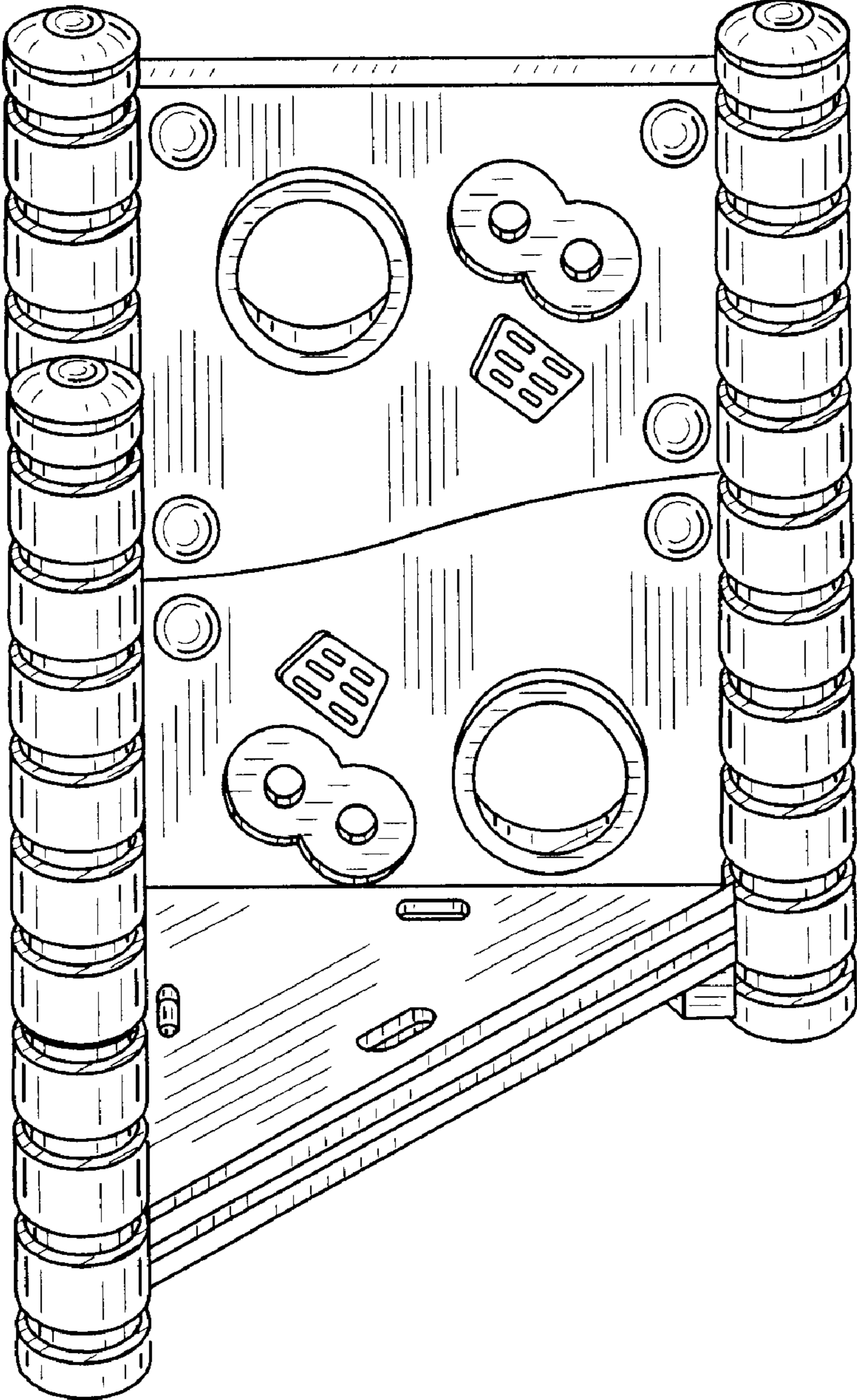


FIG. 1

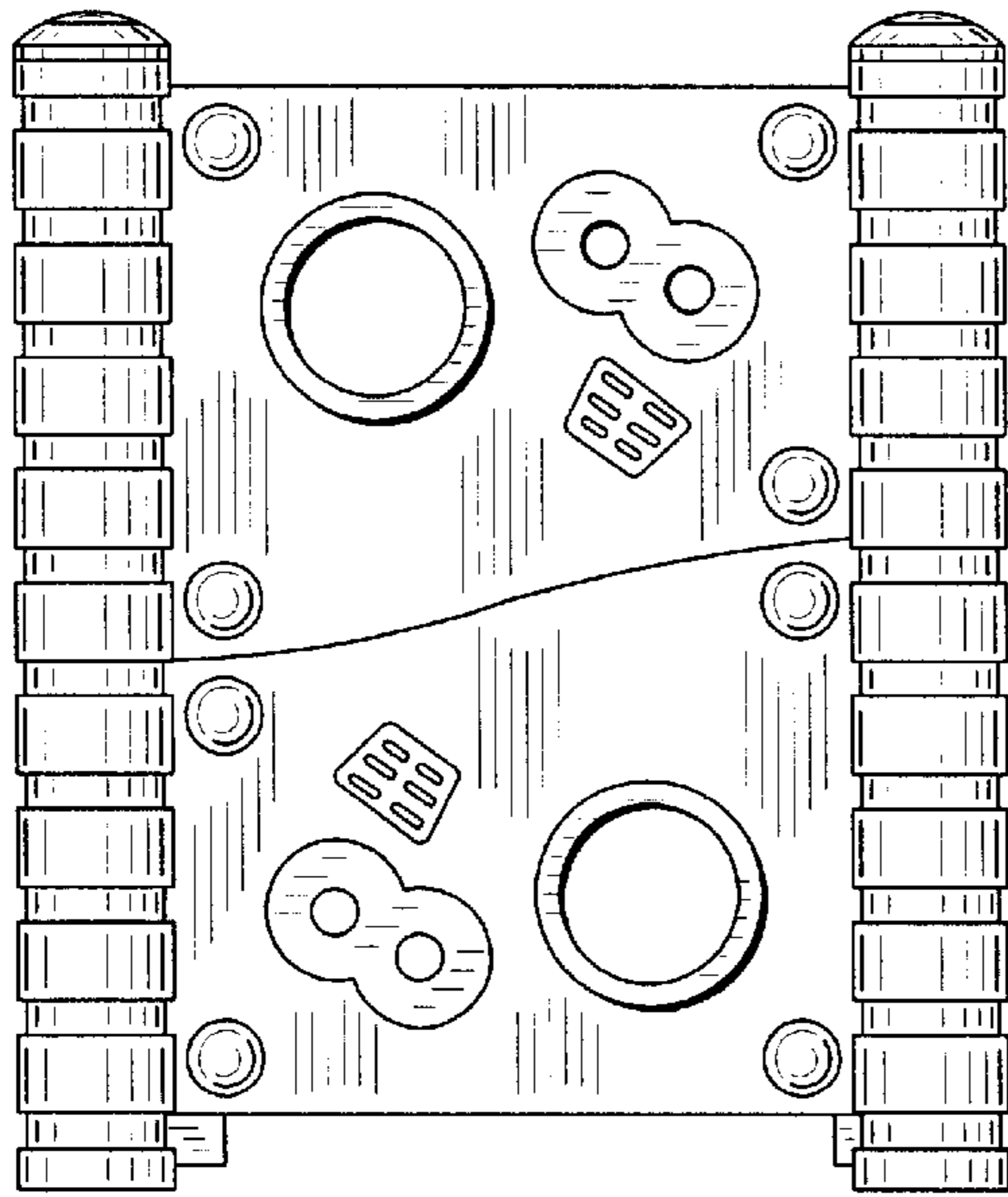


FIG. 2

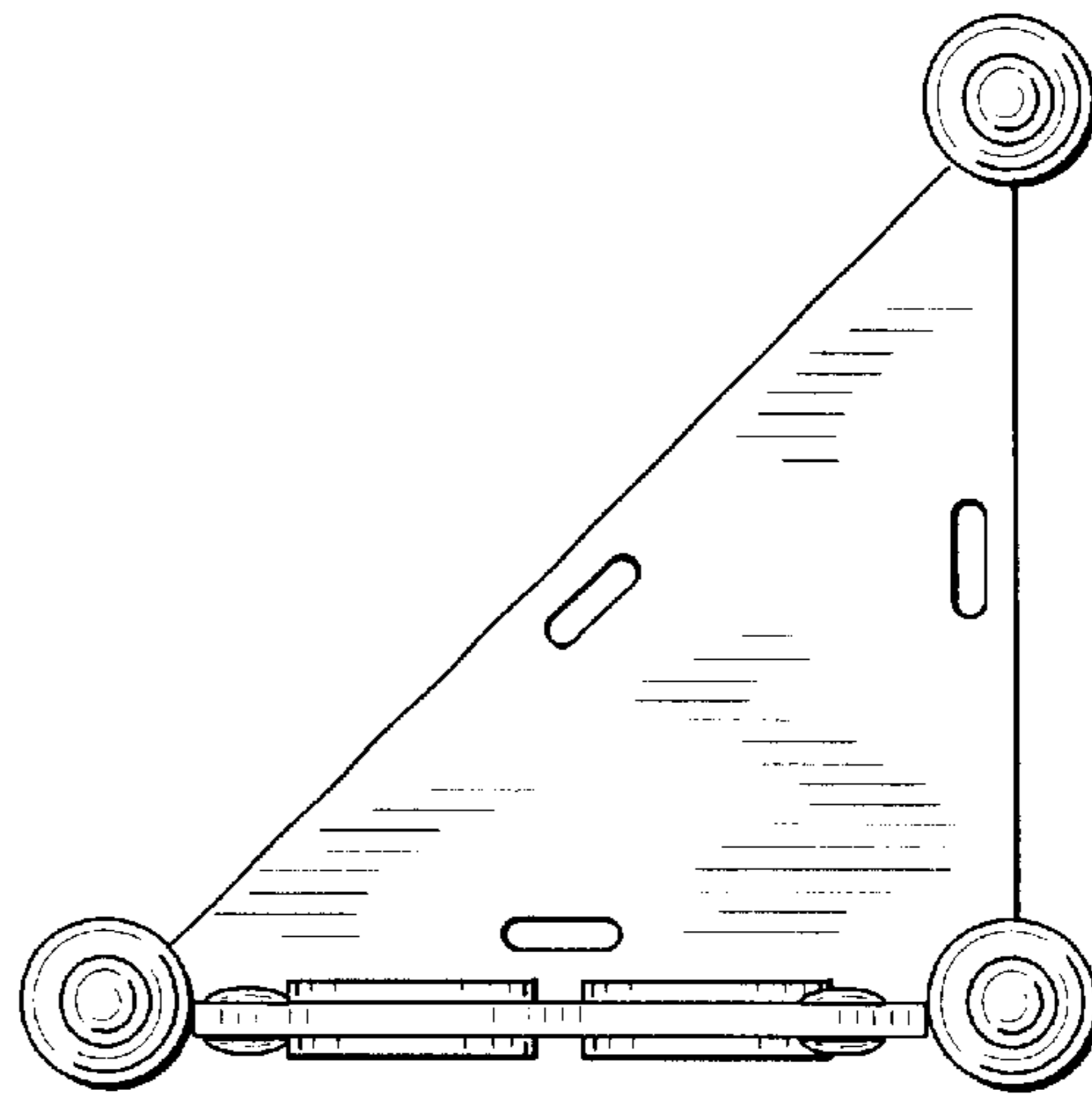


FIG. 3

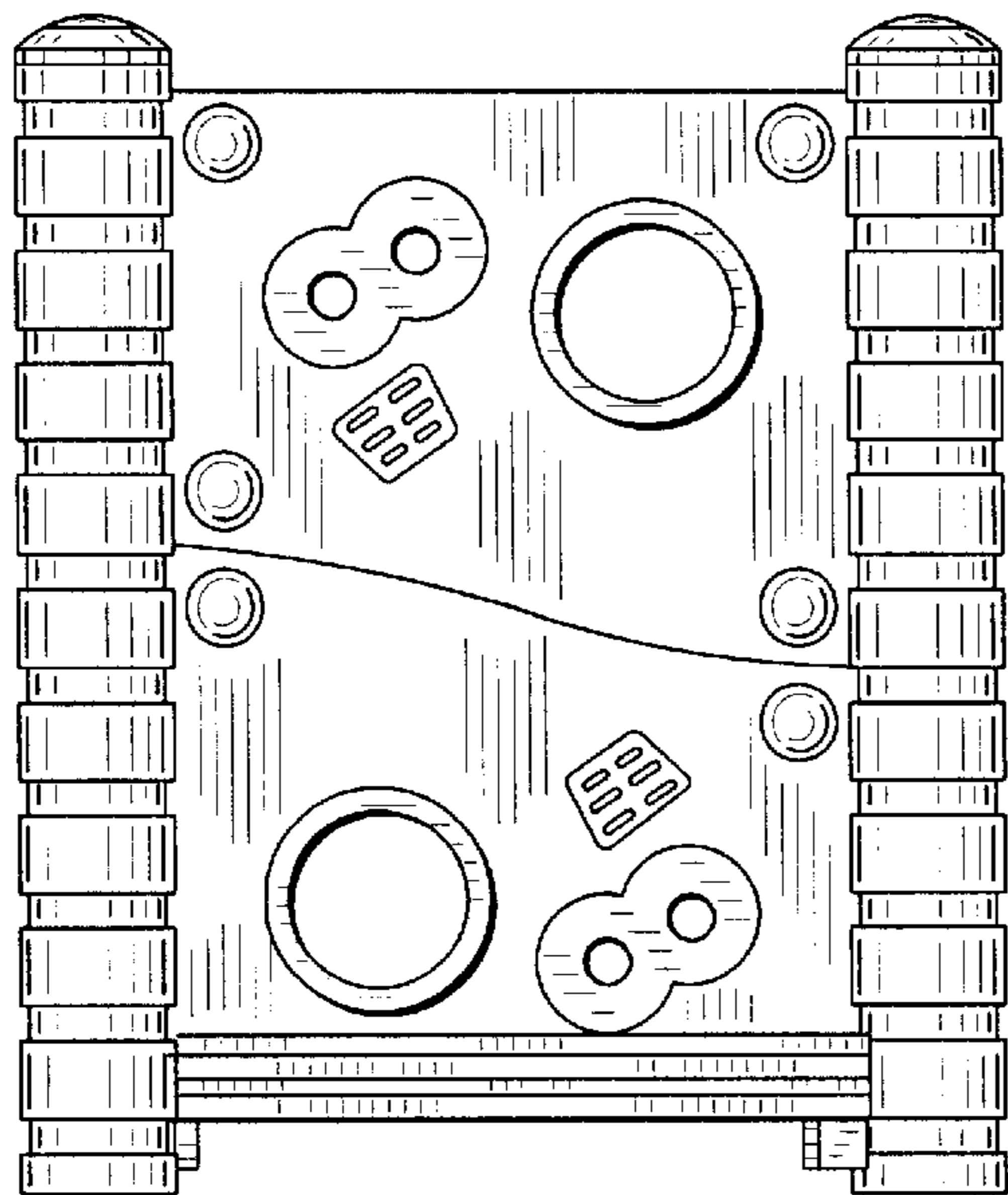


FIG. 4

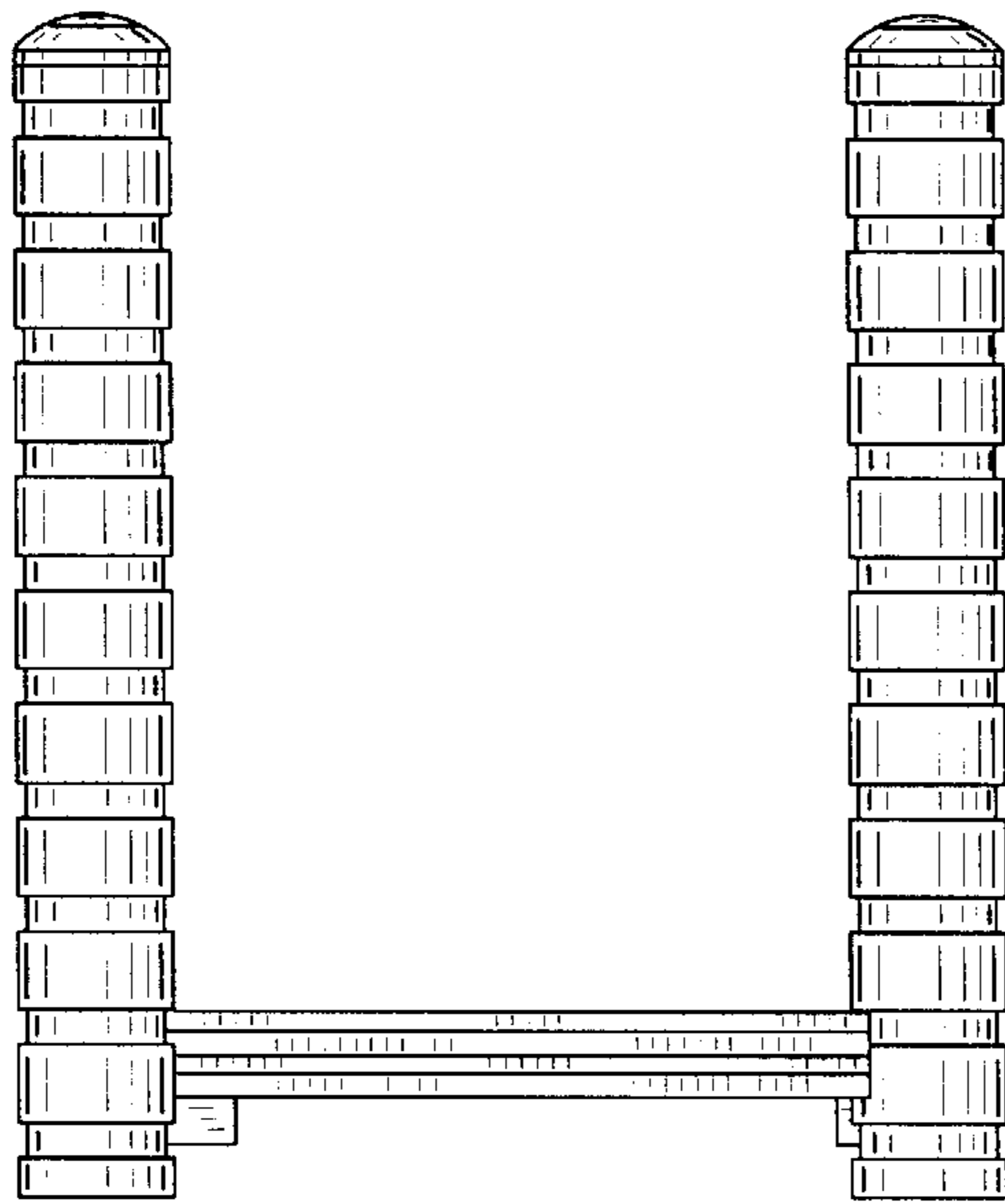


FIG. 5

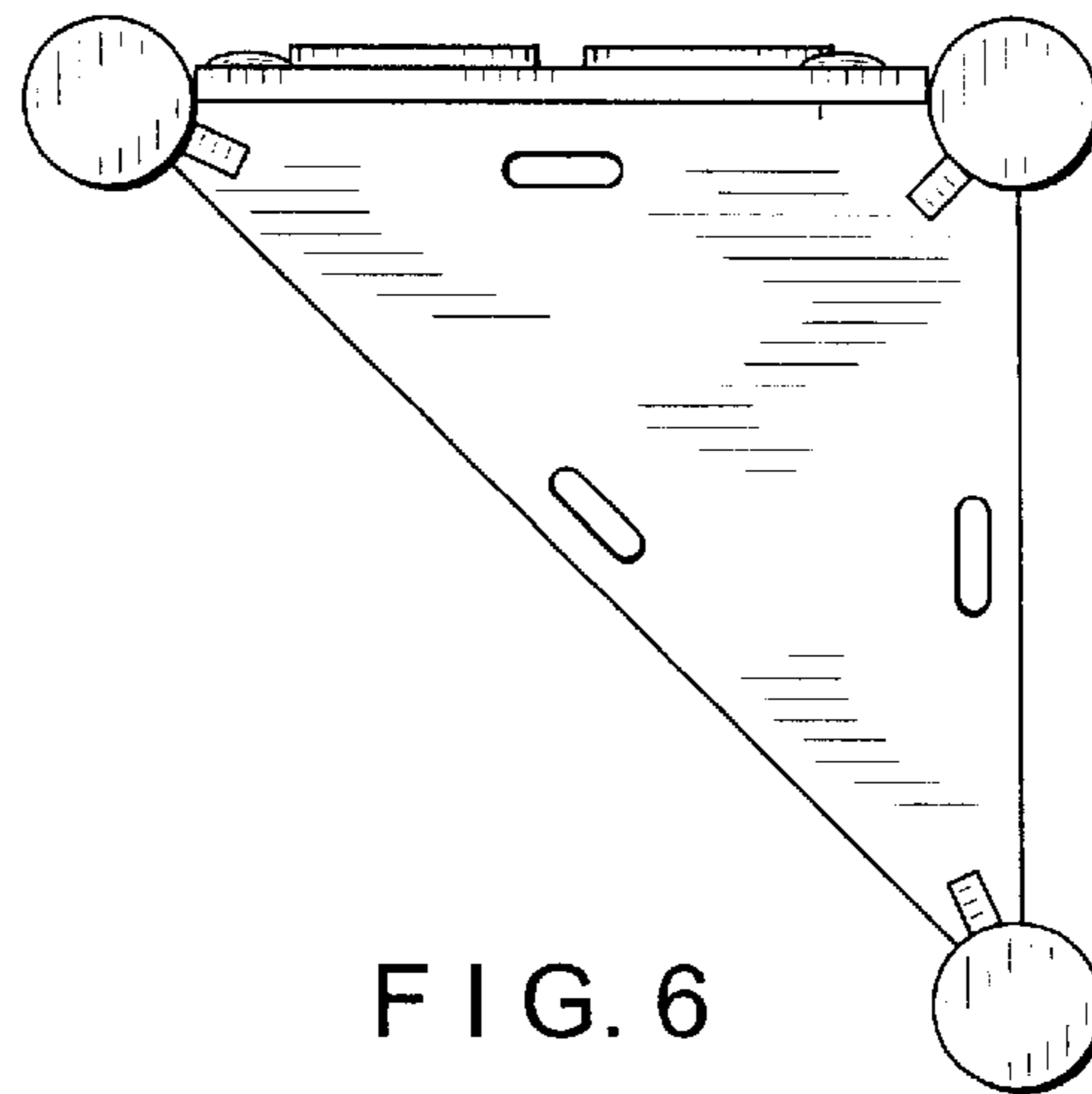


FIG. 6

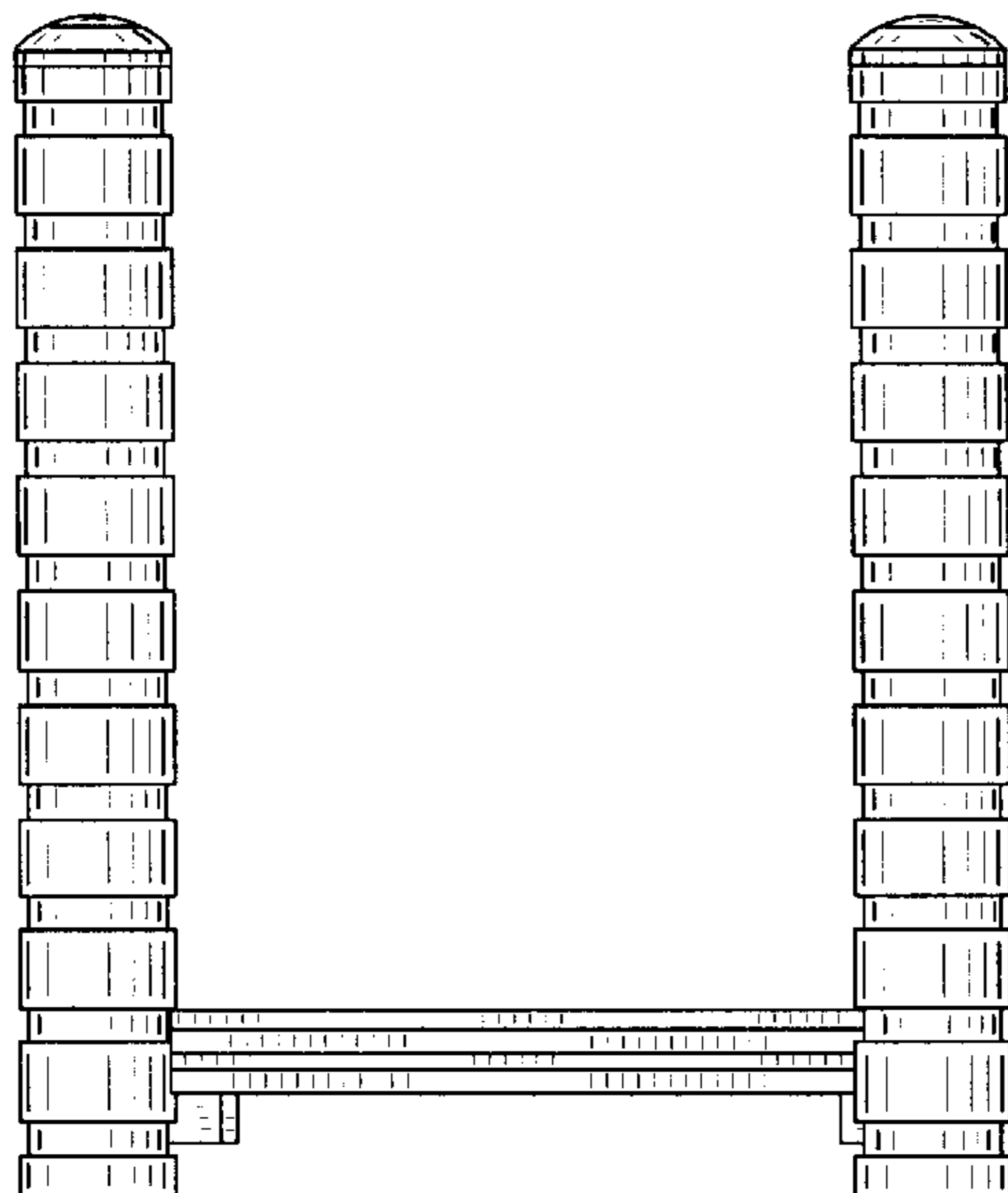


FIG. 7