

US00D493203S1

(12) **United States Design Patent** (10) **Patent No.:** **US D493,203 S**
Hoffman (45) **Date of Patent:** **** Jul. 20, 2004**

(54) **GOLF CLUB HOLDER**

(76) Inventor: **Alan J. Hoffman**, 340 National Ct.,
Roslyn, NY (US) 11576

(**) Term: **14 Years**

(21) Appl. No.: **29/183,319**

(22) Filed: **Jun. 9, 2003**

(51) **LOC (7) Cl.** **21-02**

(52) **U.S. Cl.** **D21/796**

(58) **Field of Search** D21/789, 796;
473/282

(56) **References Cited**

U.S. PATENT DOCUMENTS

D318,090 S	7/1991	Bahns	D21/223
5,076,581 A	12/1991	Boberg	273/32 R
5,116,046 A	5/1992	Pace	273/32 B
5,152,524 A	10/1992	Brown	273/32 B
D348,712 S	7/1994	Parker, Jr.	D21/223
D363,849 S	11/1995	Bruns et al.	D6/552
D371,590 S	7/1996	Ludwig	D21/234
D391,318 S	2/1998	Shah et al.	D21/234
5,730,404 A	3/1998	Evans et al.	248/156
5,820,479 A	10/1998	Cline et al.	473/282
D407,774 S	4/1999	Weiss	321/796

D418,186 S	12/1999	Canterbury	D21/796
D430,253 S	* 8/2000	Shea et al.	D21/796
D444,199 S	* 6/2001	Shea	D21/796
6,309,308 B1	10/2001	Bennett	473/282
D457,213 S	* 5/2002	Davies	D21/796
6,497,327 B1	12/2002	Rindfleisch	211/70.2
D472,598 S	4/2003	Lawrence	D21/796
2002/0132679 A1	9/2002	Wilde, et al.	473/282

* cited by examiner

Primary Examiner—Mitchell Siegel

(74) *Attorney, Agent, or Firm*—Law Offices of David L. Hoffman

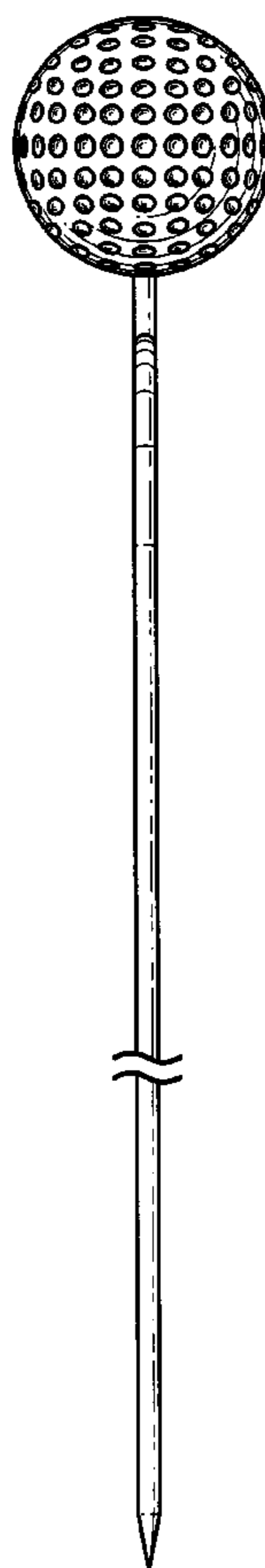
(57) **CLAIM**

The ornamental design for a golf club holder, as shown and described herein.

DESCRIPTION

FIG. 1 is a perspective view of my golf club holder,
 FIG. 2 is a top view of my golf club holder,
 FIG. 3 is a front elevational view thereof,
 FIG. 4 is a rear elevational view thereof,
 FIG. 5 is a side view thereof, the left side being a mirror
 image thereof, and
 FIG. 6 is a bottom view thereof.

1 Claim, 2 Drawing Sheets



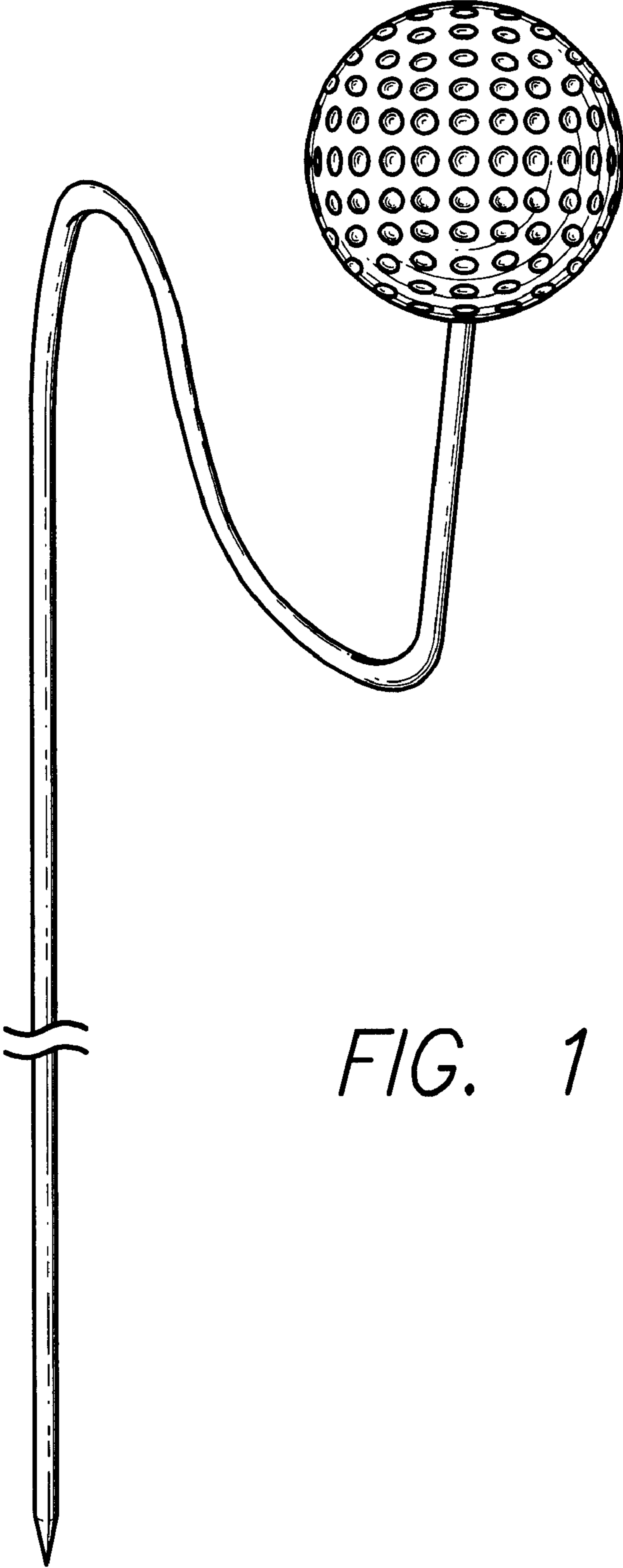


FIG. 1

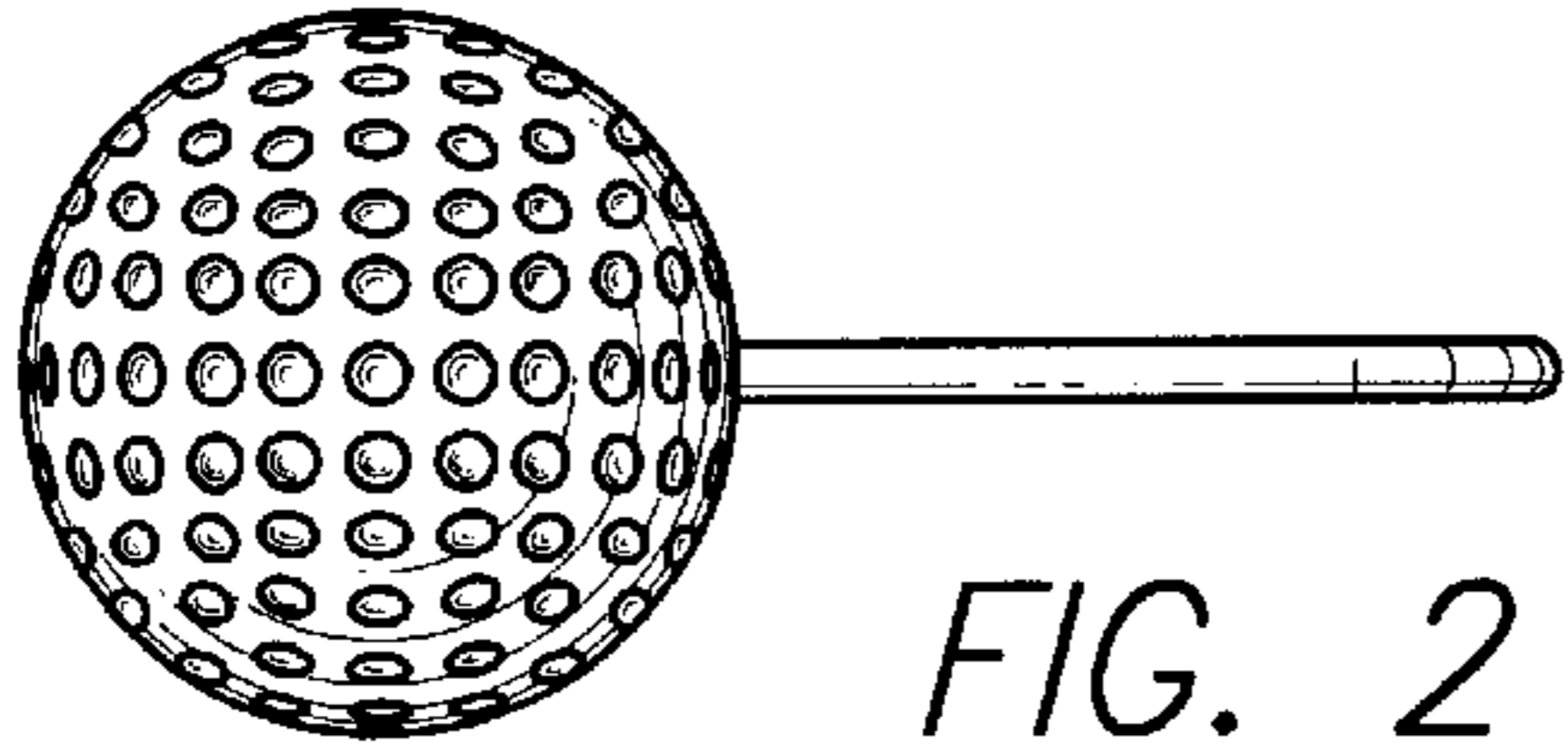


FIG. 2

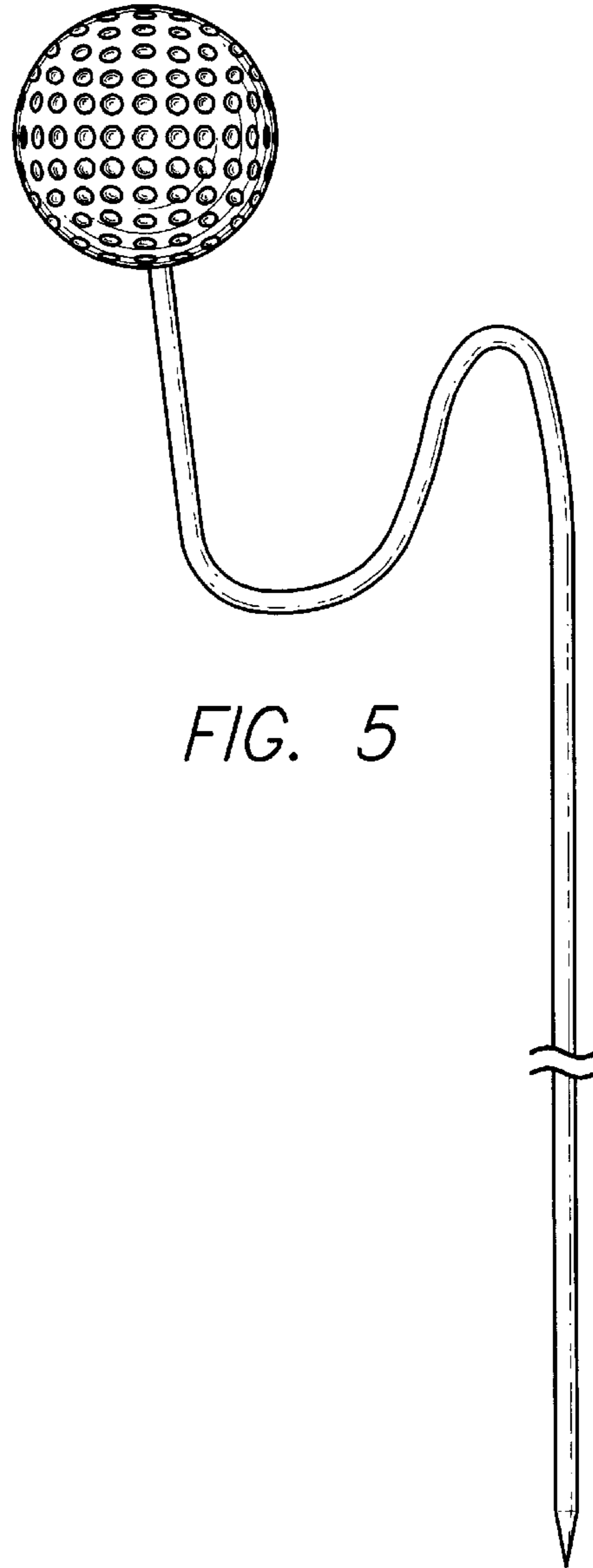


FIG. 5

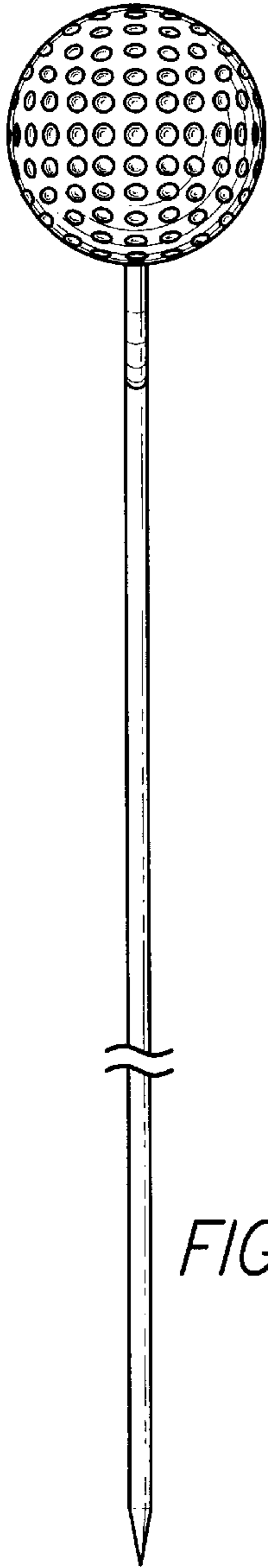


FIG. 3

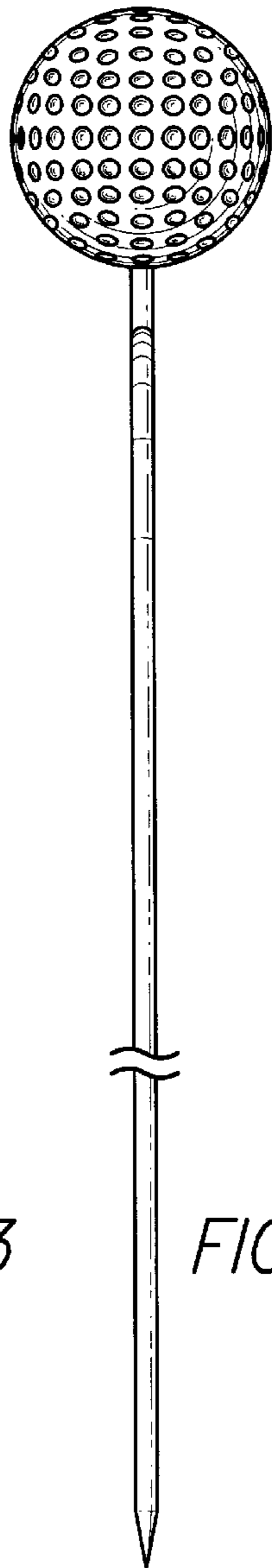


FIG. 4

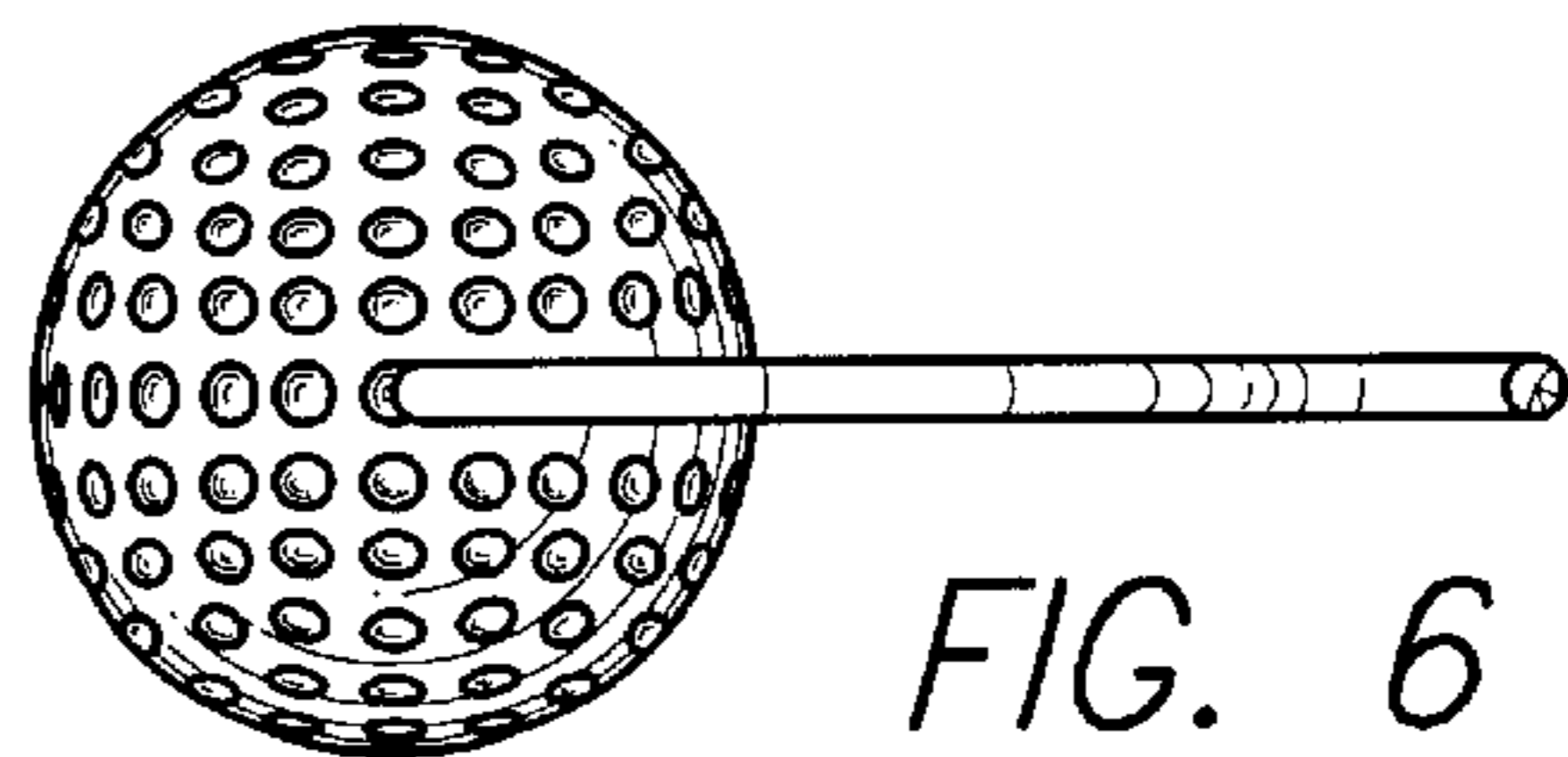


FIG. 6