



US00D493201S1

(12) **United States Design Patent**
Giannelli et al.

(10) **Patent No.:** **US D493,201 S**
(45) **Date of Patent:** **** Jul. 20, 2004**

(54) **EXERCISE DEVICE FOR CROSS TRAINING**

(75) Inventors: **Raymond Giannelli**, Franklin, MA (US); **Scott Lee**, Pomfret, CT (US)

(73) Assignee: **Cybex International, Inc.**, Medway, MA (US)

(**) Term: **14 Years**

(21) Appl. No.: **29/178,963**

(22) Filed: **Apr. 2, 2003**

Related U.S. Application Data

(63) Continuation-in-part of application No. 29/164,348, filed on Jul. 23, 2002.

(51) **LOC (7) Cl.** **21-02**

(52) **U.S. Cl.** **D21/668; D21/670**

(58) **Field of Search** D21/663, 668, D21/669, 662, 667, 670; 482/51, 52, 54, 57, 70, 72

(56) **References Cited**

U.S. PATENT DOCUMENTS

D390,628 S * 2/1998 Husted D21/668
D403,033 S * 12/1998 Husted et al. D21/668
D408,477 S * 4/1999 Arnold et al. D21/668

D410,978 S * 6/1999 Littrell et al. D21/668
6,004,244 A * 12/1999 Simonson 482/52
6,024,676 A * 2/2000 Eschenbach 482/51
6,036,622 A * 3/2000 Gordon 482/51
6,045,487 A * 4/2000 Miller 482/52
6,063,008 A * 5/2000 McBride et al. 482/52
D429,781 S * 8/2000 Arnold et al. D21/668
6,168,552 B1 * 1/2001 Eschenbach 482/52
6,183,397 B1 * 2/2001 Stearns et al. 482/52
D449,356 S * 10/2001 Arnold et al. D21/668

* cited by examiner

Primary Examiner—Philip S. Hyder

(74) *Attorney, Agent, or Firm*—Kudirka & Jobse, LLP

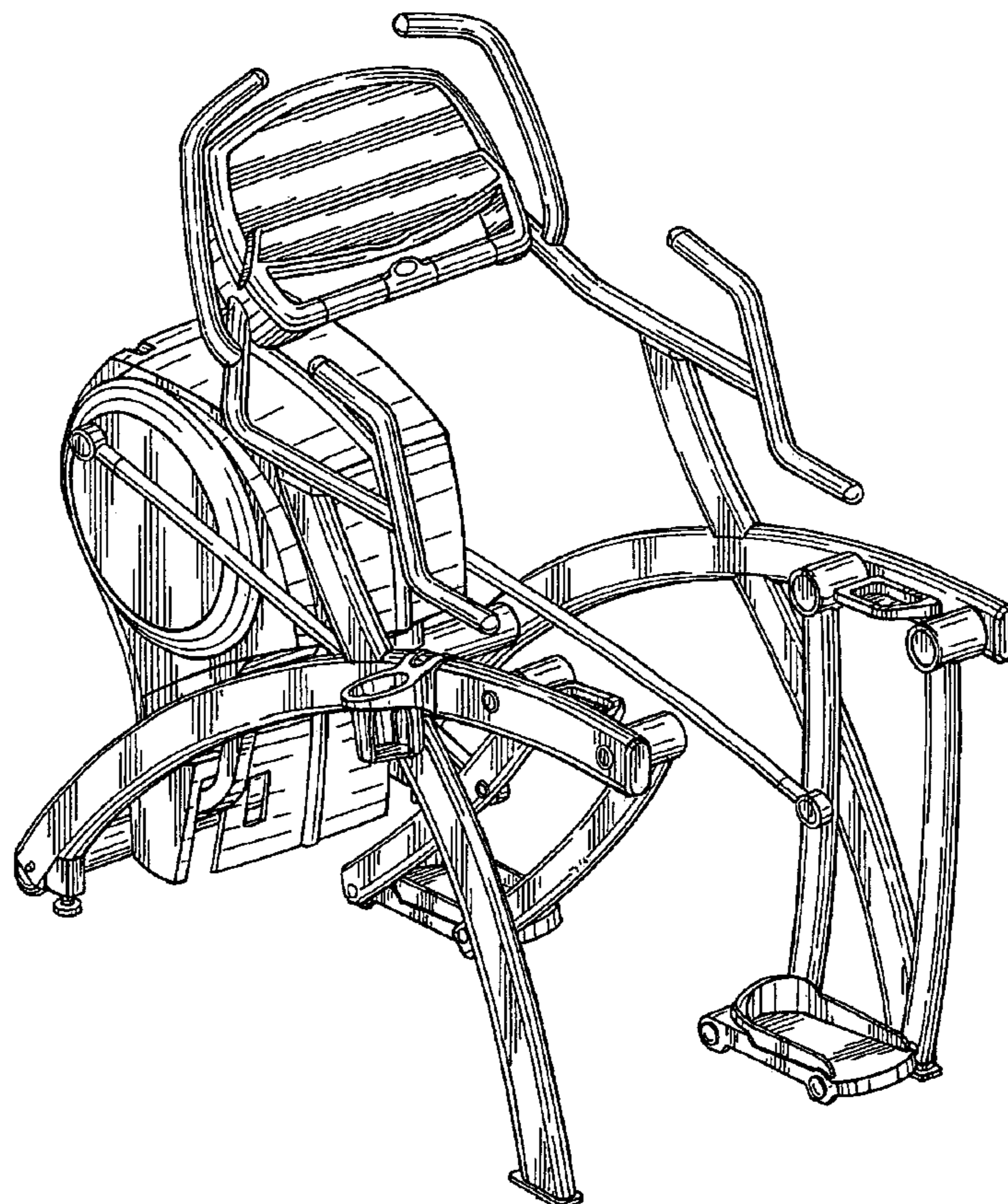
(57) **CLAIM**

The ornamental design for an exercise device for cross training, as shown.

DESCRIPTION

FIG. 1 is rear perspective view of an exercise device for cross training;
FIG. 2 is a front perspective view thereof;
FIG. 3 is a rear elevated view thereof;
FIG. 4 is a front view thereof;
FIG. 5 is a left side view thereof; and,
FIG. 6 is a top view thereof.

1 Claim, 6 Drawing Sheets



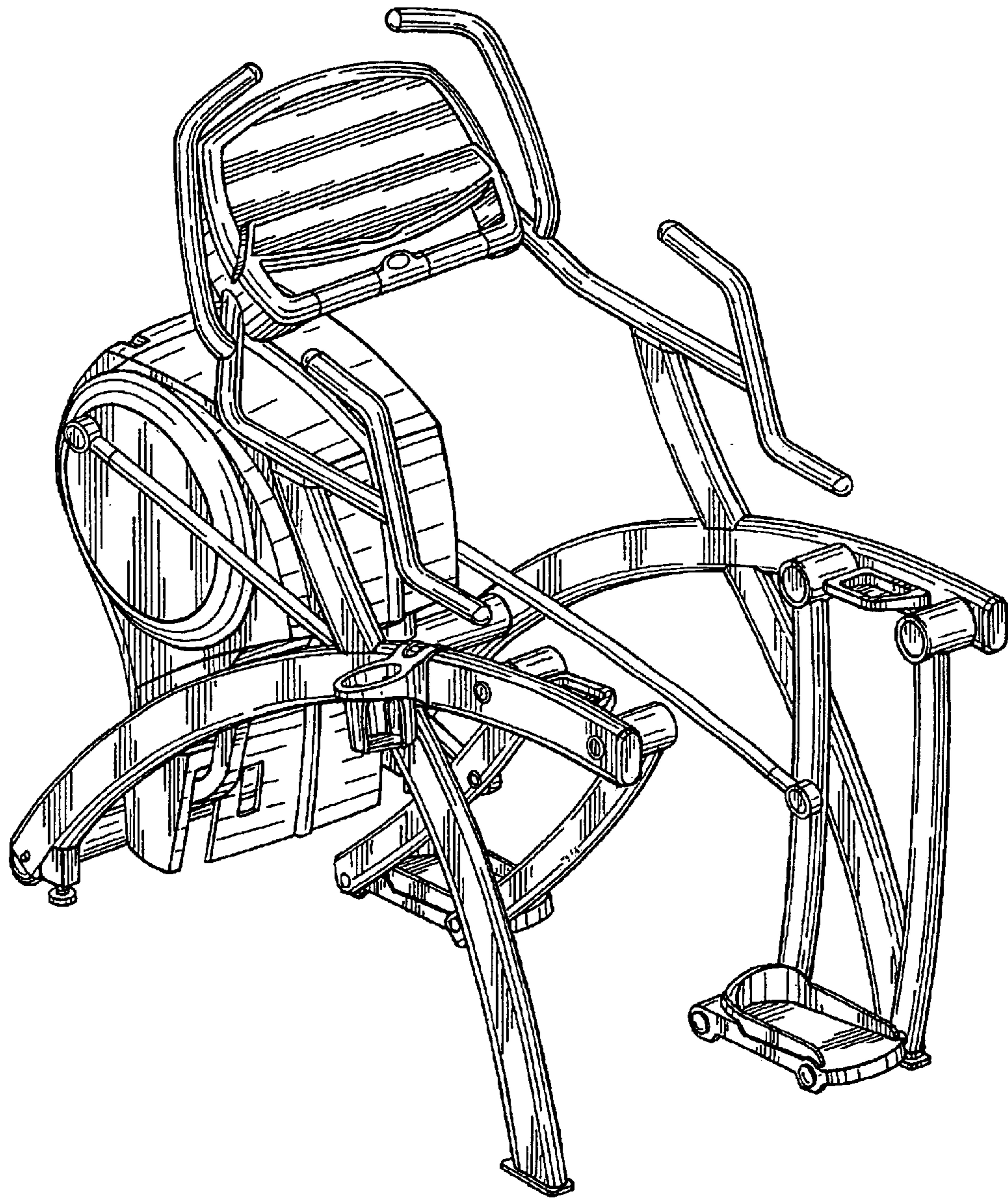


Fig. 1

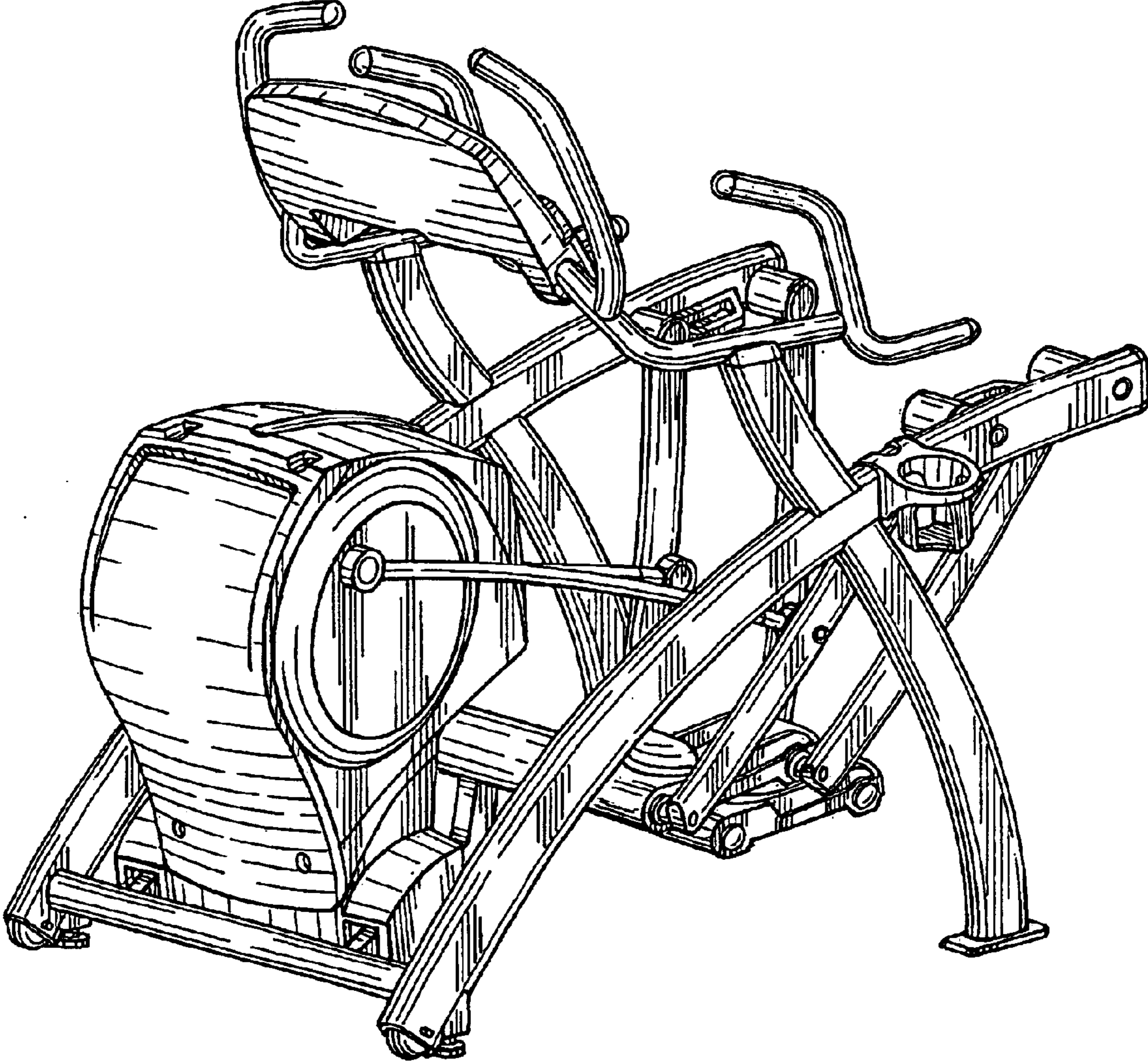


Fig. 2

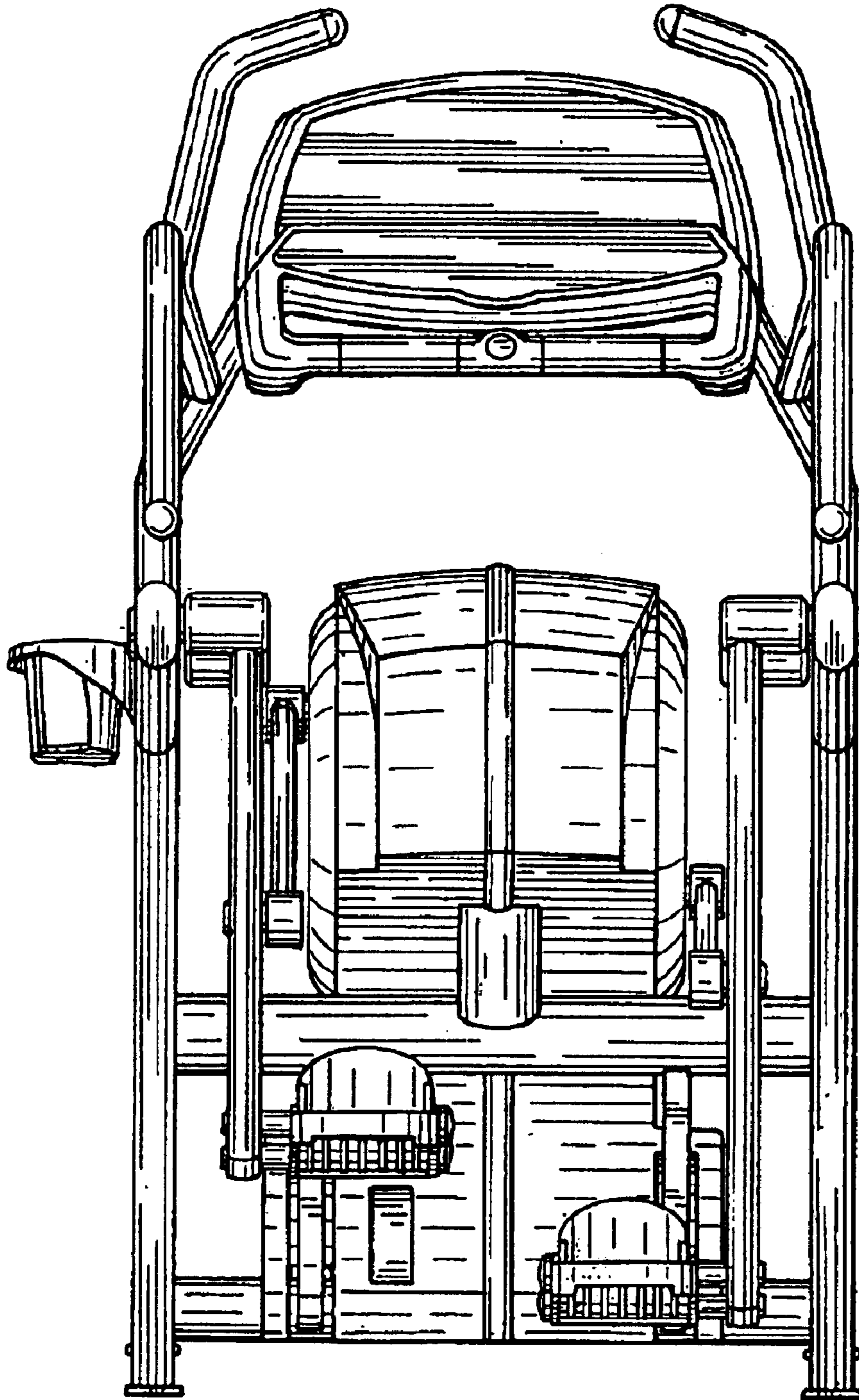


Fig. 3

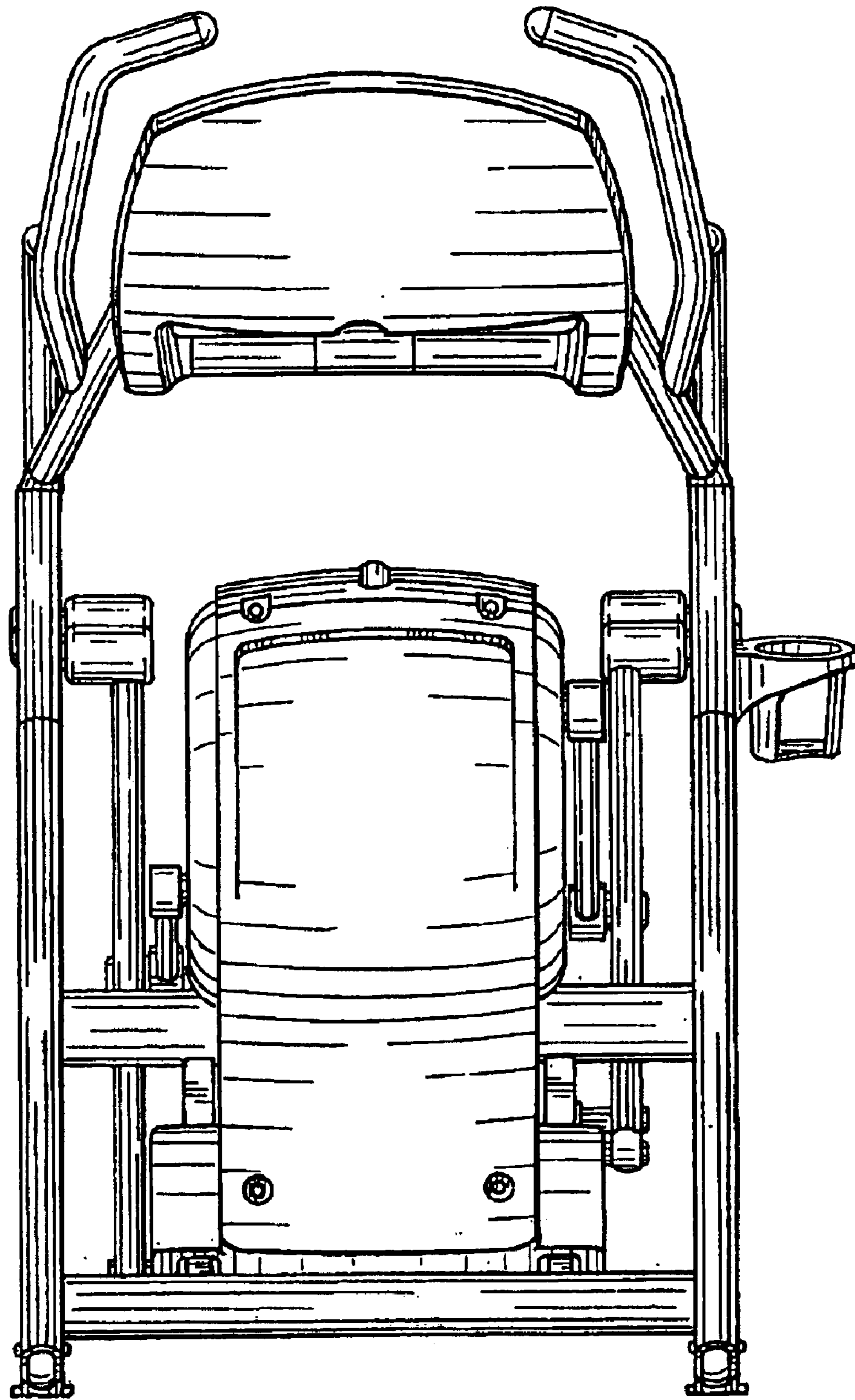


Fig. 4

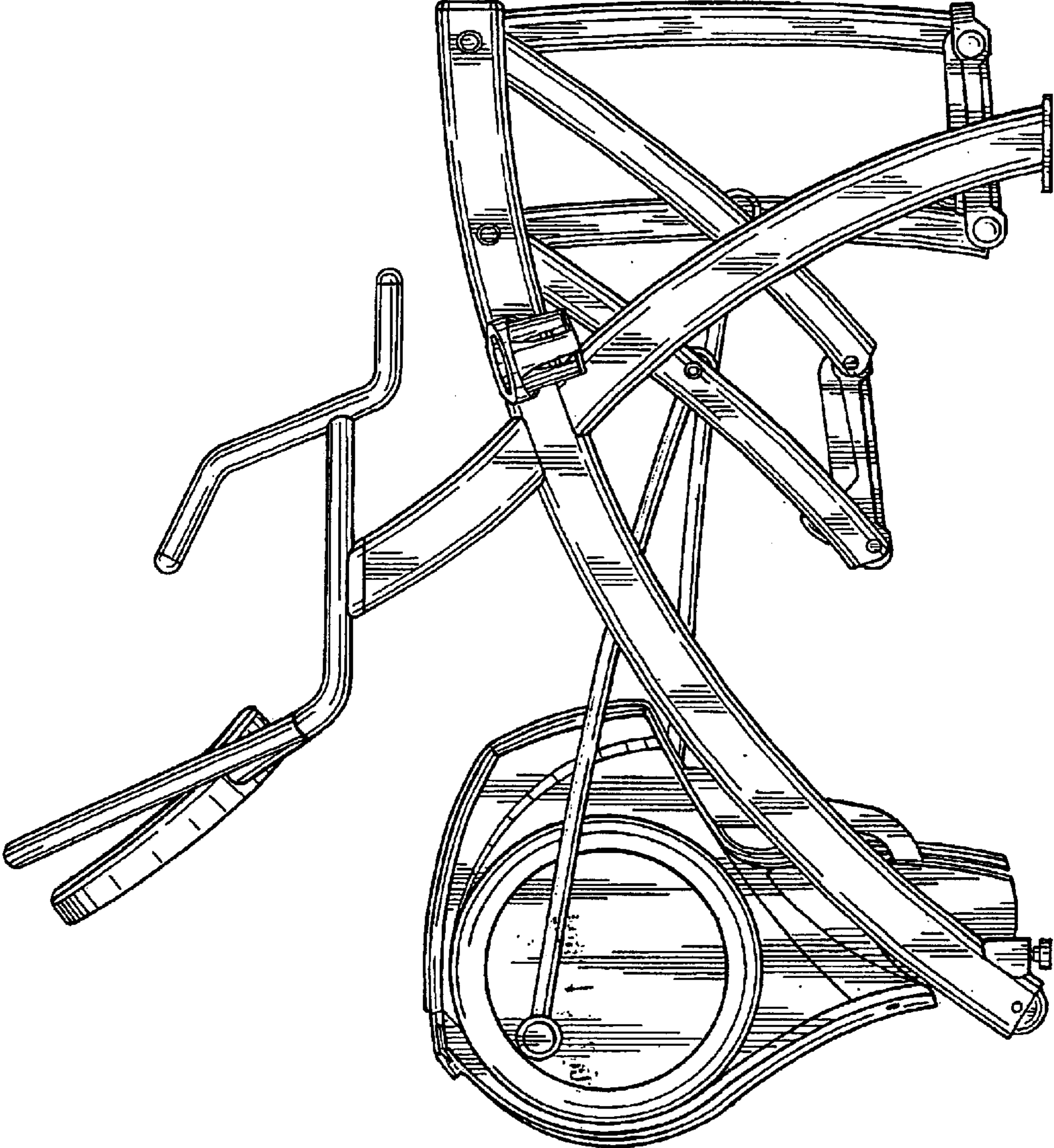


Fig. 5

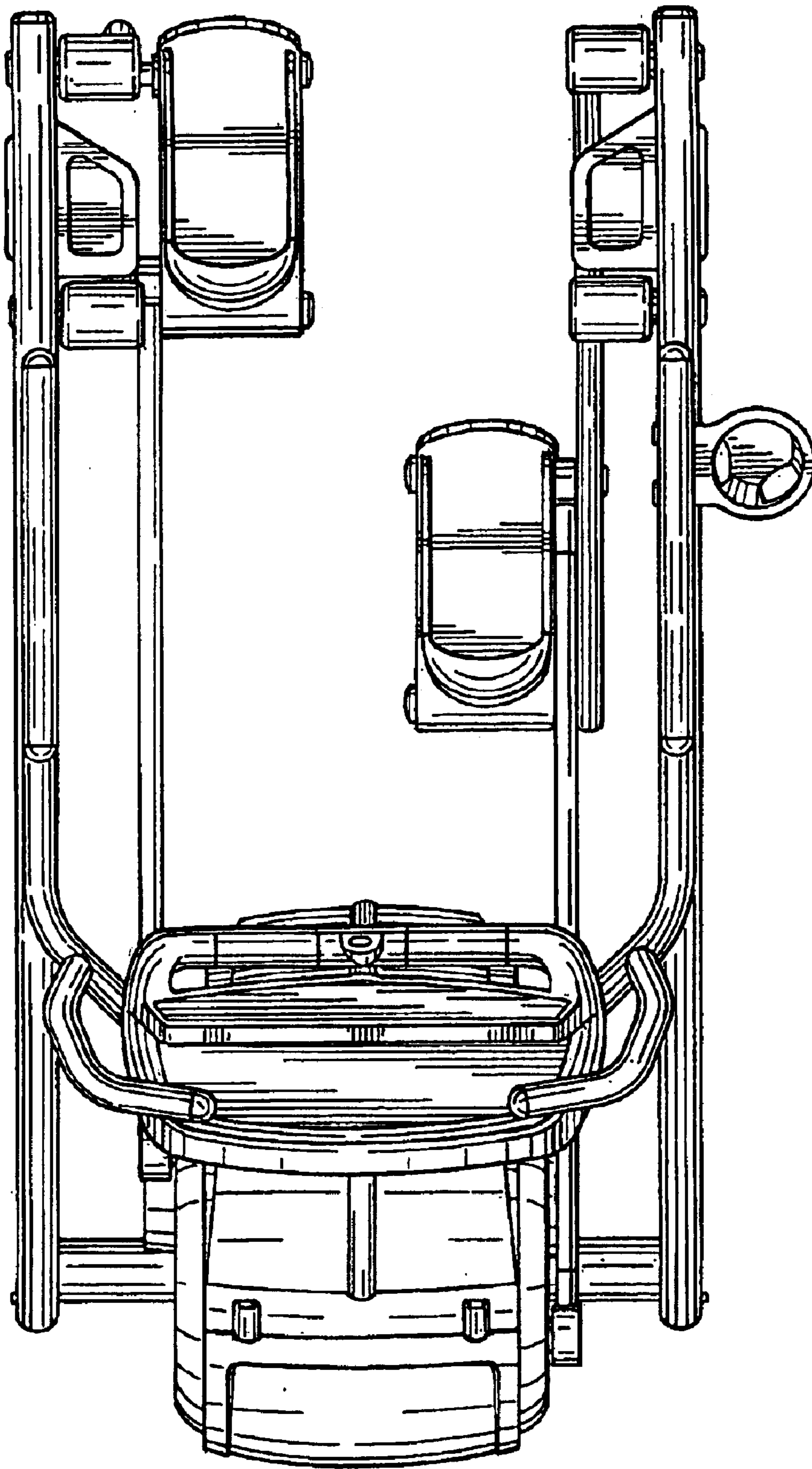


Fig. 6