

US00D493196S1

(12) **United States Design Patent**
Hsu

(10) **Patent No.:** **US D493,196 S**

(45) **Date of Patent:** **** Jul. 20, 2004**

(54) **CALENDAR WITH FRAMES**

(76) **Inventor:** **Hua Wen Hsu**, 3Fl., No. 20, Alley 1,
Lane 768, Pa-Te Rd., Sec. 4, Taipei
(TW)

(**) **Term:** **14 Years**

(21) **Appl. No.:** **29/173,597**

(22) **Filed:** **Dec. 30, 2002**

(51) **LOC (7) Cl.** **19-03**

(52) **U.S. Cl.** **D19/25; D19/21; D19/20**

(58) **Field of Search** **D19/20-23, 24,**
D19/25, 65, 81-85, 95; D10/2, 15, 3, 18;
40/107, 108, 109, 110-119, 120, 121, 122

(56) **References Cited**

U.S. PATENT DOCUMENTS

D74,787 S	*	3/1928	Fischer et al.	D19/25
1,681,235 A	*	8/1928	Hiering	40/107
1,956,643 A	*	5/1934	Fischer	40/107
D143,512 S	*	1/1946	Trollen	D19/21 X

D172,674 S	*	7/1954	Lux	D10/3
D259,862 S	*	7/1981	You	D10/2
D316,274 S	*	4/1991	Suzuki	D19/85

* cited by examiner

Primary Examiner—Martie K. Holtje

(74) *Attorney, Agent, or Firm*—Pro-Techtor International Services

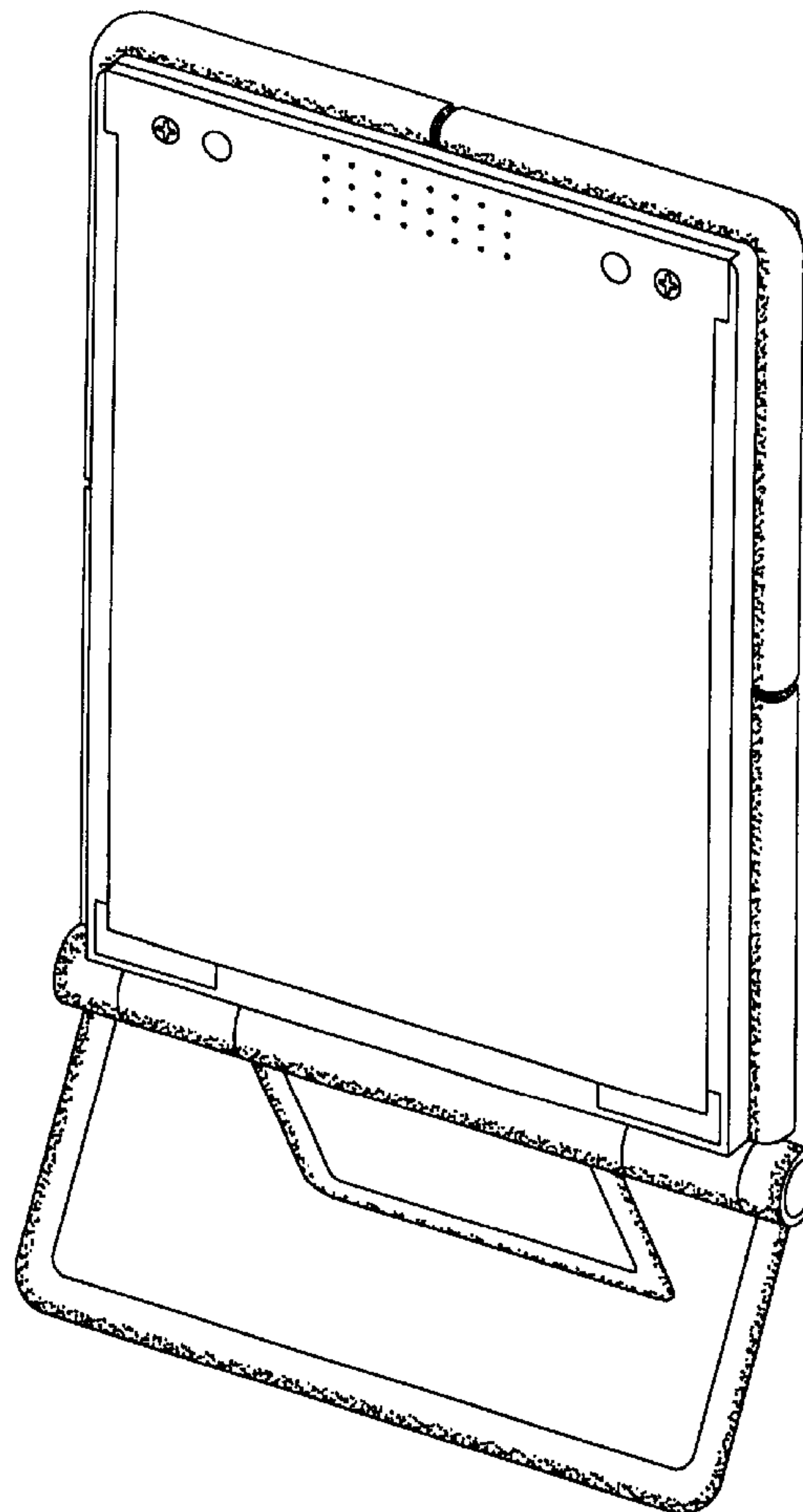
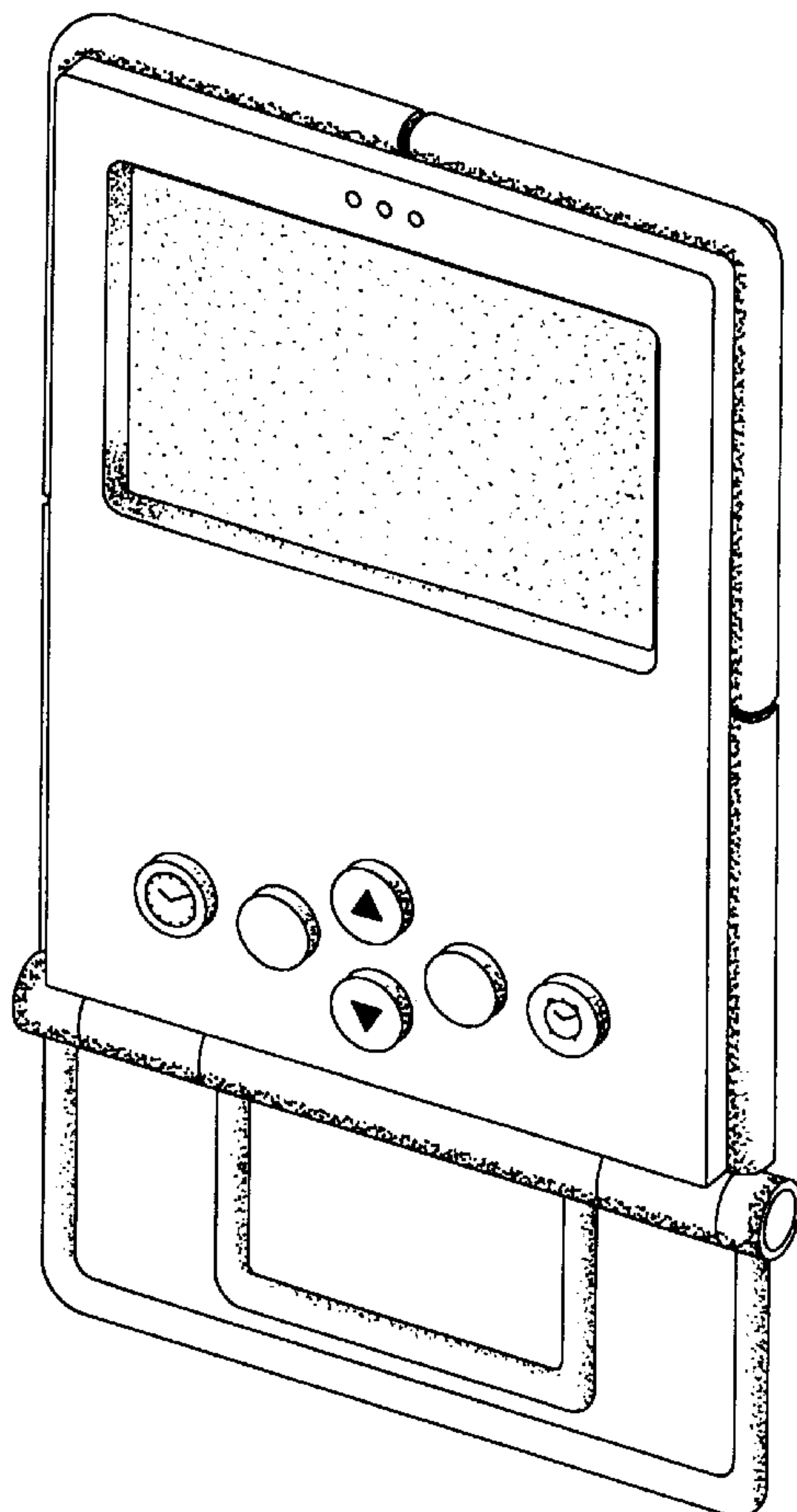
(57) **CLAIM**

The ornamental design for a calendar with frames, as shown and described.

DESCRIPTION

FIG. 1 is a front elevational view showing my new design; FIG. 2 is a rear elevational view thereof; FIG. 3 is a left side elevational view thereof; FIG. 4 is a right side elevational view thereof; FIG. 5 is a top plan view thereof; FIG. 6 is a bottom plan view thereof; FIG. 7 is a front, right, top, perspective view thereof; and, FIG. 8 is a rear perspective view thereof.

1 Claim, 8 Drawing Sheets



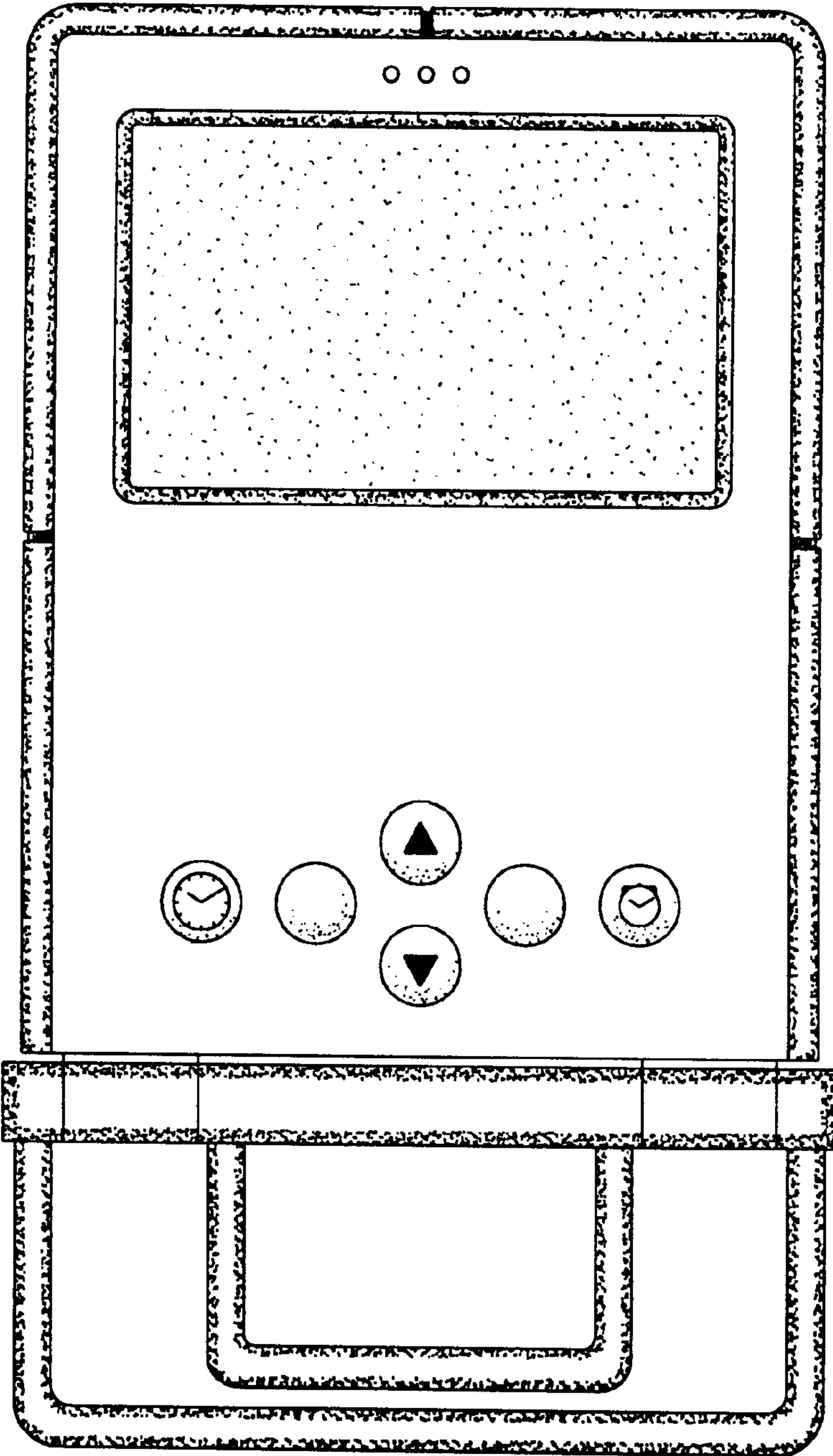


Fig. 1

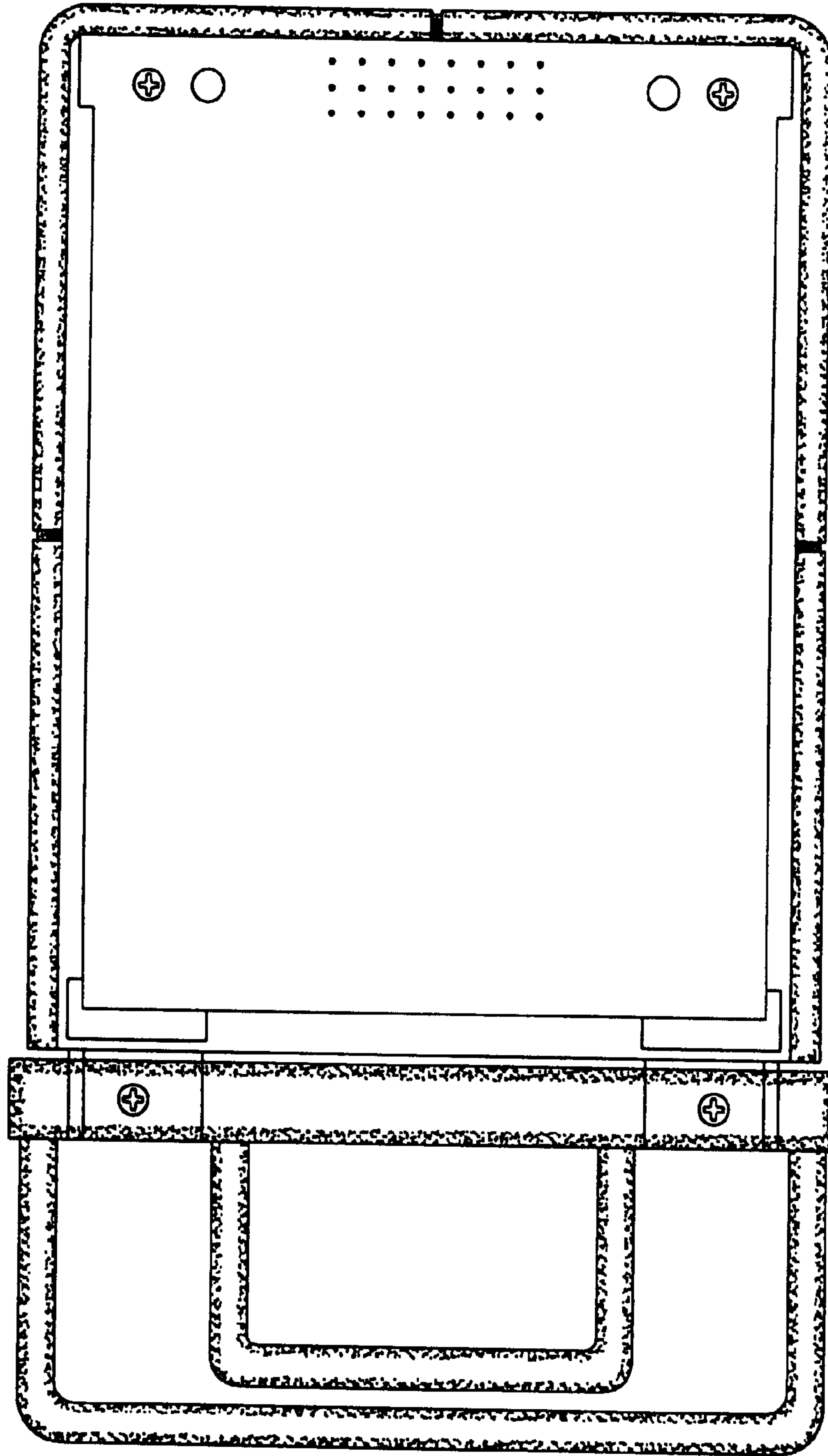


Fig. 2

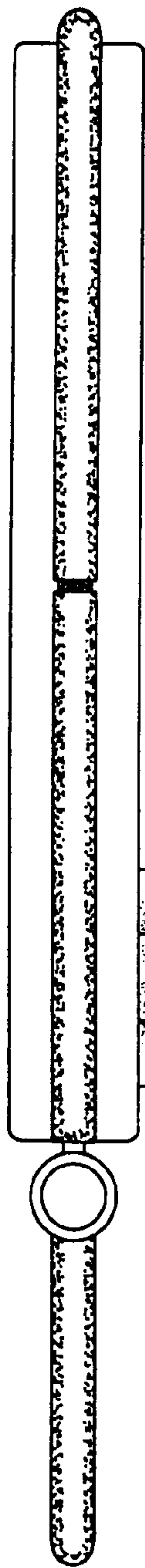


Fig. 3

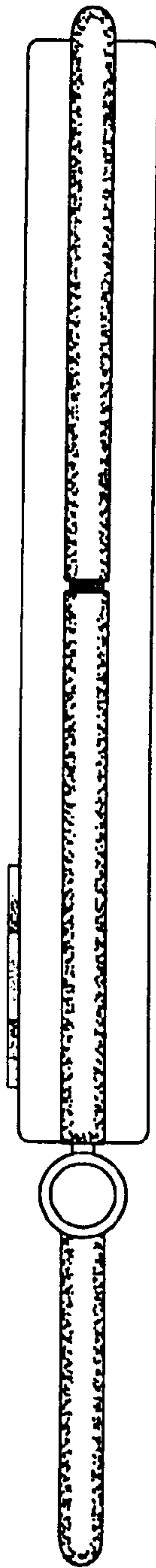


Fig. 4

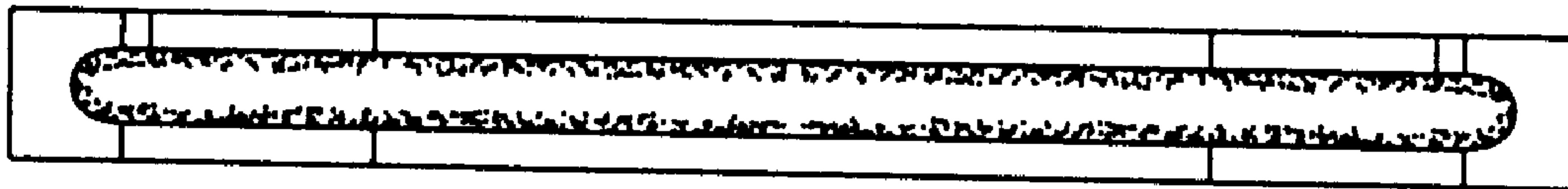


Fig. 5

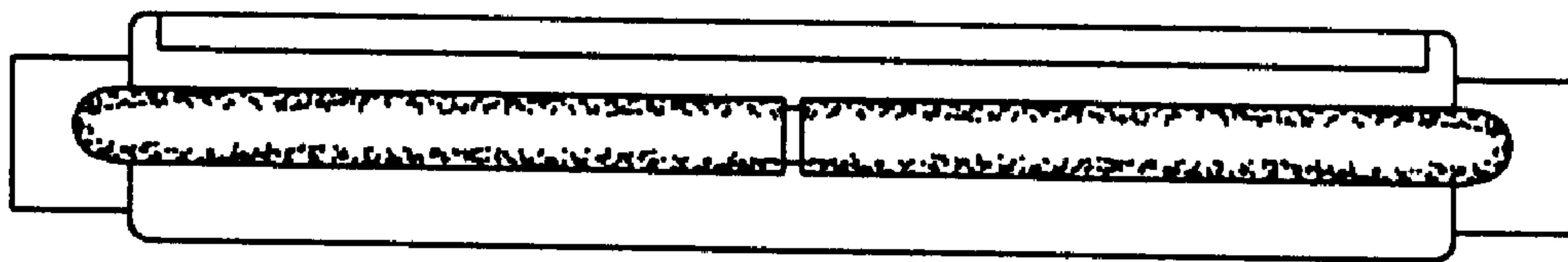


Fig. 6

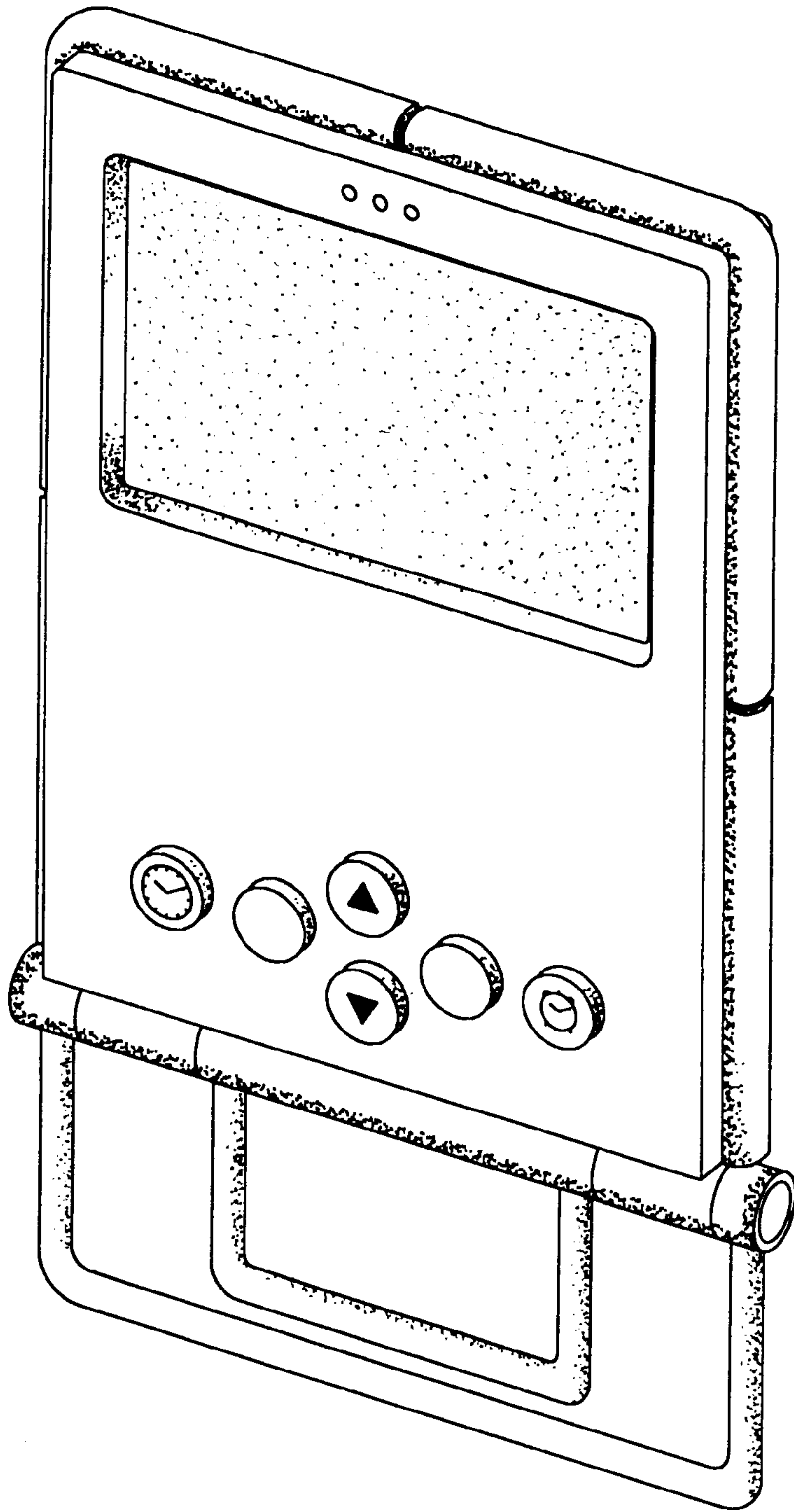


Fig. 7

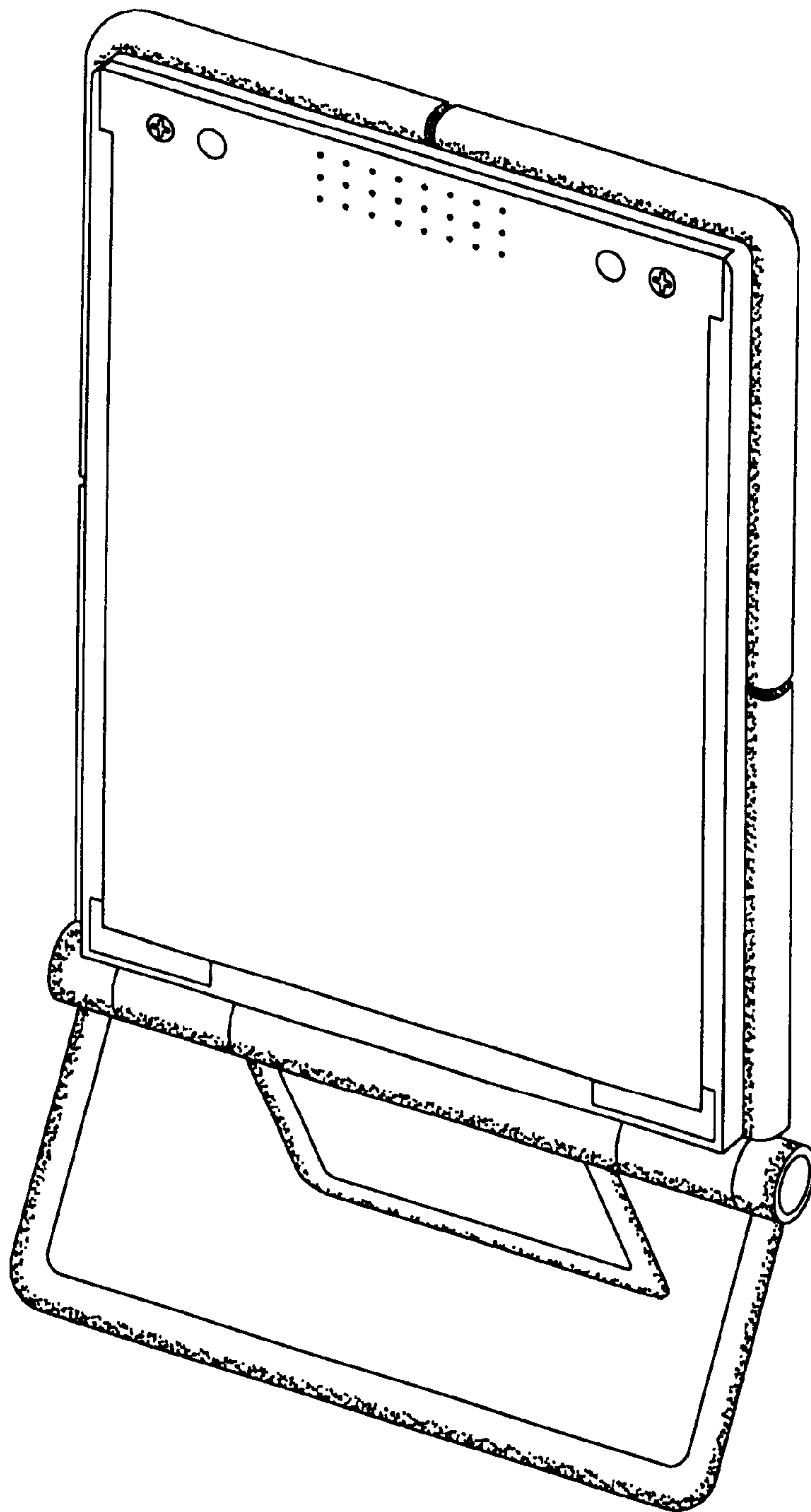


Fig. 8