

US00D493186S1

(12) **United States Design Patent**
Moore et al.

(10) **Patent No.: US D493,186 S**
(45) **Date of Patent: ** Jul. 20, 2004**

(54) **DIGITAL CAMERA**

D484,162 S * 12/2003 Moore et al. D16/218

(75) Inventors: **Shelley I. Moore**, Fort Collins, CO (US); **Amy E. Battles**, Windsor, CO (US); **Lisa M. Tucker**, Fort Collins, CO (US); **Lisa K. Roberts**, Fort Collins, CO (US); **Tu Jungpin**, Taipei (TW); **Chao-Chien Chen**, Taiwan (TW)

* cited by examiner

Primary Examiner—Adir Aronovich

(73) Assignee: **Hewlett-Packard Development Company, L.P.**, Houston, TX (US)

(57) **CLAIM**

The ornamental design for a digital camera, as shown and described.

(**) Term: **14 Years**

DESCRIPTION

(21) Appl. No.: **29/194,338**

FIG. 1 is an elevation view of a digital camera showing the front side of our design;

(22) Filed: **Nov. 21, 2003**

FIG. 2 is an elevation view showing the rear side of our design;

(51) **LOC (7) Cl.** **16-01**

FIG. 3 is an elevation view showing the right side of our design;

(52) **U.S. Cl.** **D16/202; D16/218**

FIG. 4 is an elevation view showing the left side of our design;

(58) **Field of Search** D16/200–206, D16/208, 218; 348/373–376; 358/906, 909.1; 396/535–541

FIG. 5 is a plan view showing the top side of our design;

FIG. 6 is a plan view showing the bottom side of our design; and,

(56) **References Cited**

U.S. PATENT DOCUMENTS

4,945,372 A	*	7/1990	Higuchi et al.	396/61
D441,001 S	*	4/2001	Naito	D16/218
D441,778 S	*	5/2001	Funakoshi	D16/202
D474,793 S	*	5/2003	Yoshida	D16/202
D481,052 S	*	10/2003	Ogura	D16/202

FIG. 7 is a perspective view of a camera showing the front, right, and top sides of our design.

It should be understood that the labels used herein for describing orientation (e.g., front, rear, top, bottom, right and left) are merely for reference, and the design may be disposed in any manner and still be within the scope of the present invention.

1 Claim, 4 Drawing Sheets

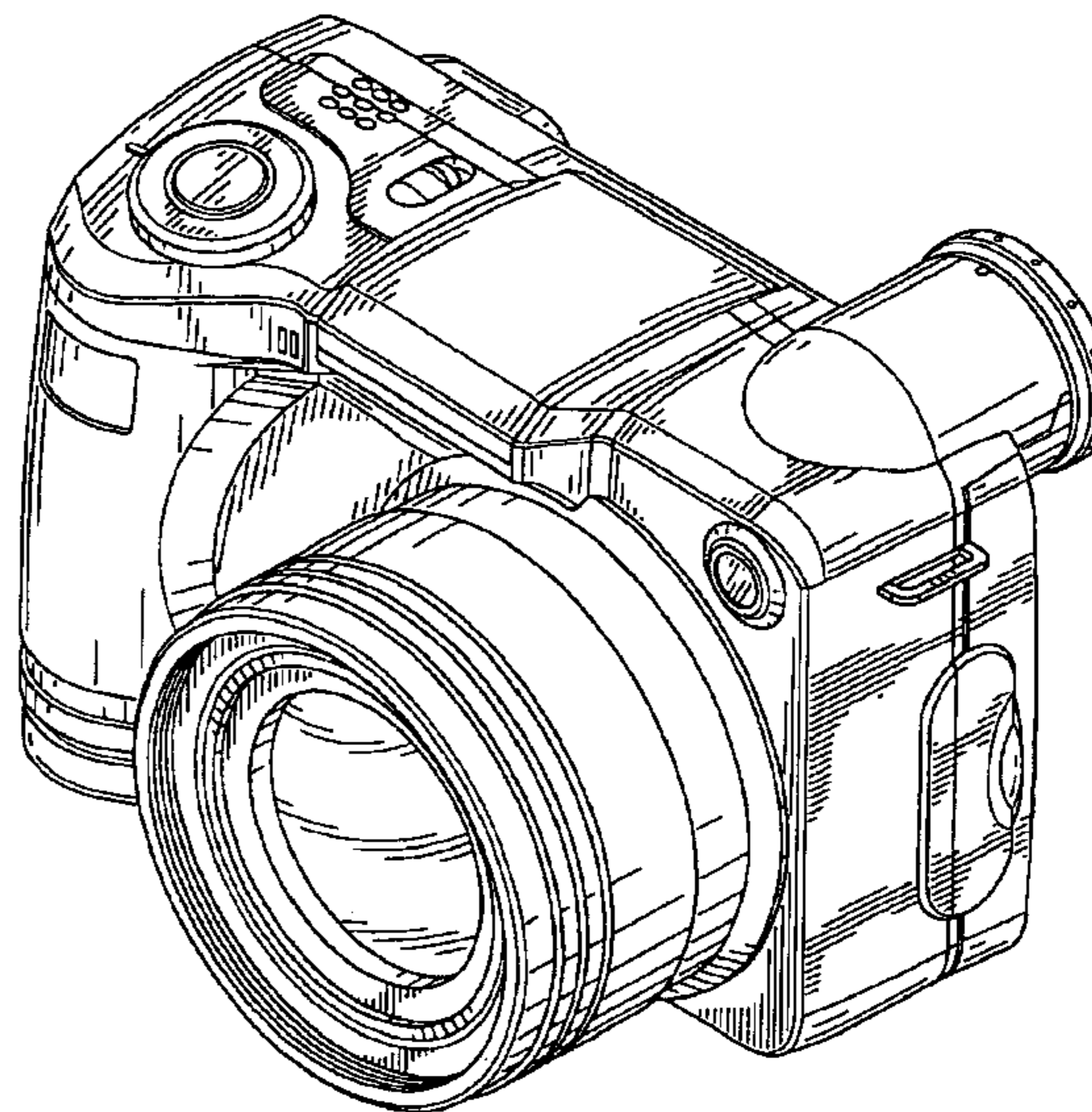
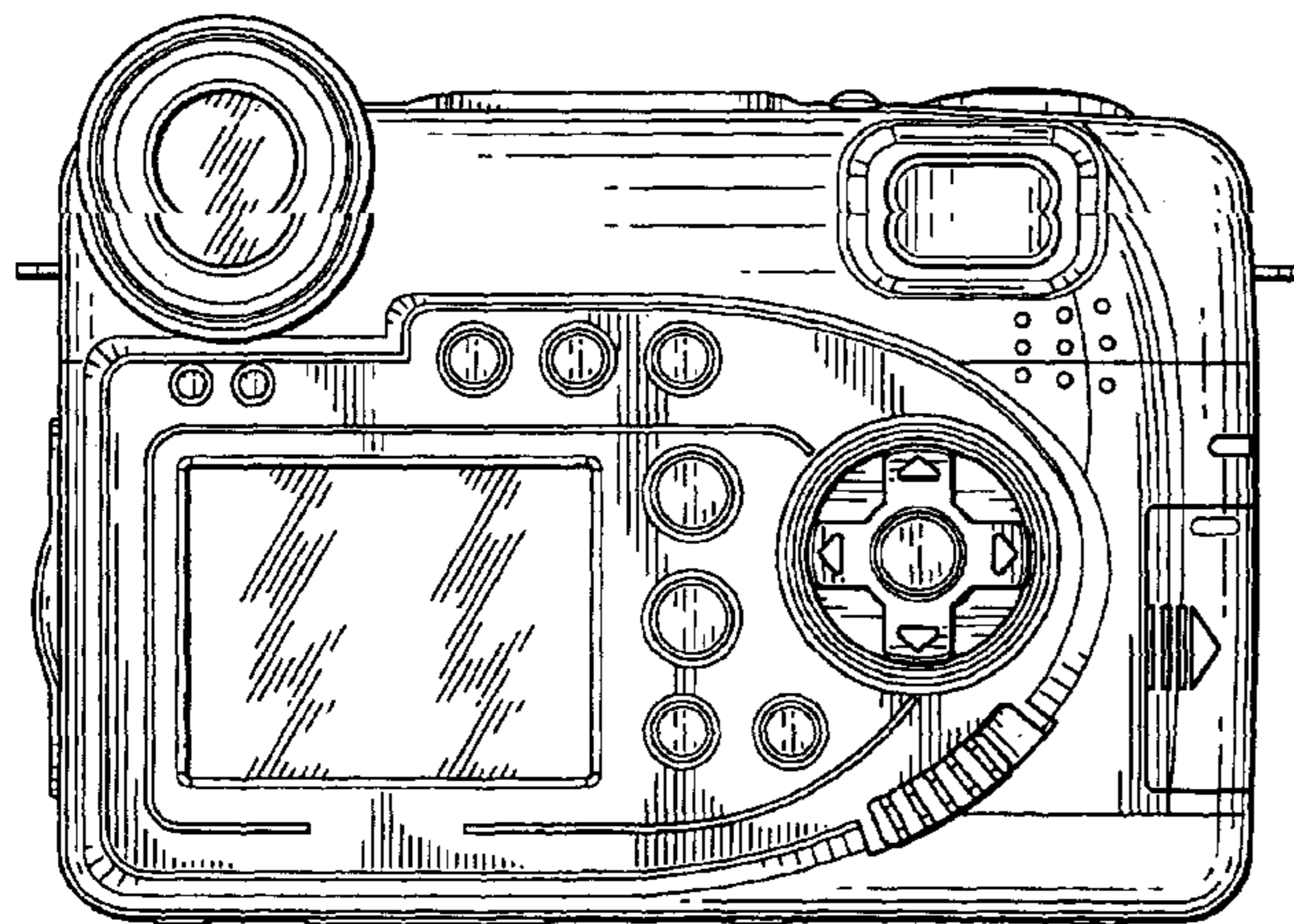


FIG. 1

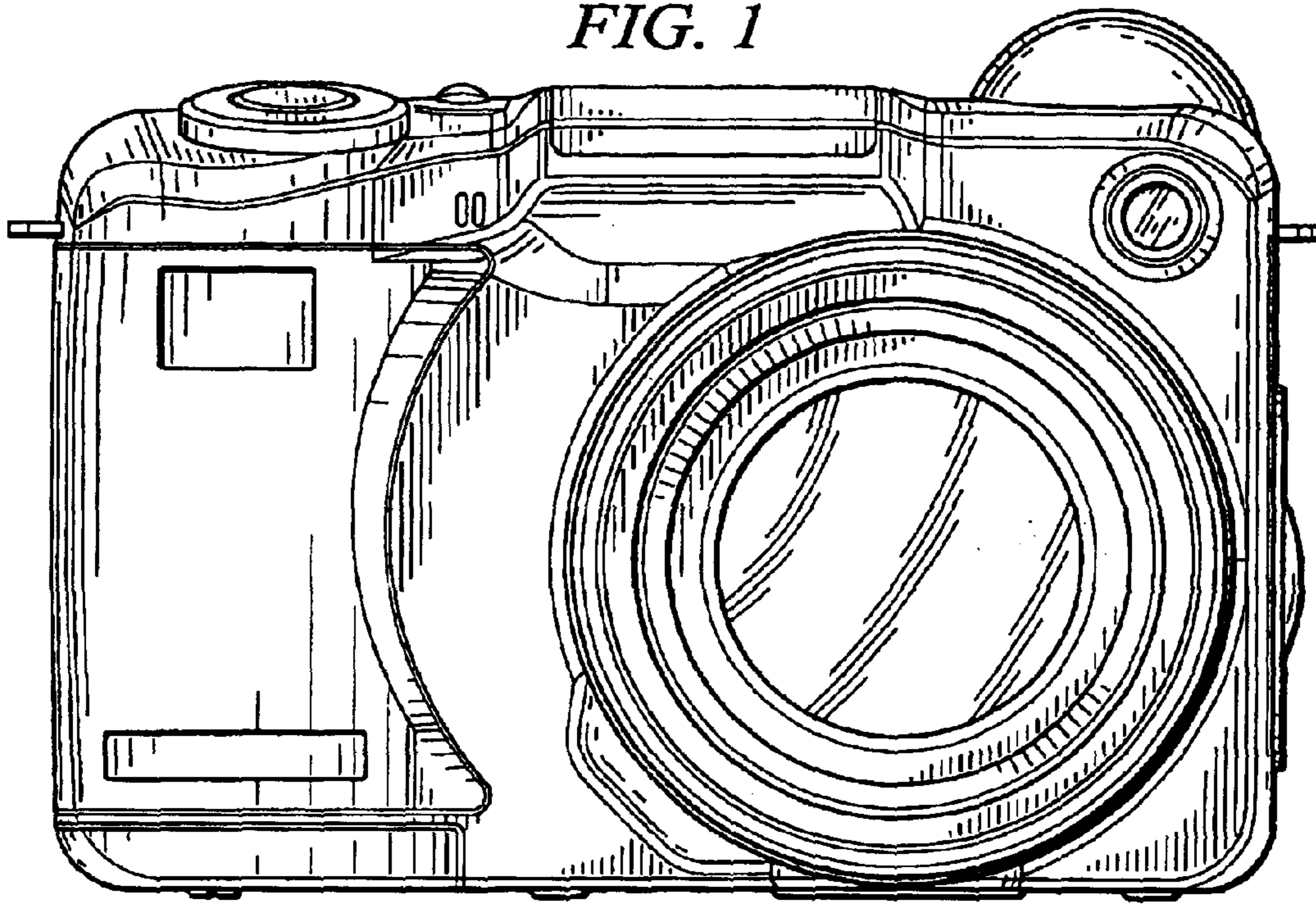


FIG. 2

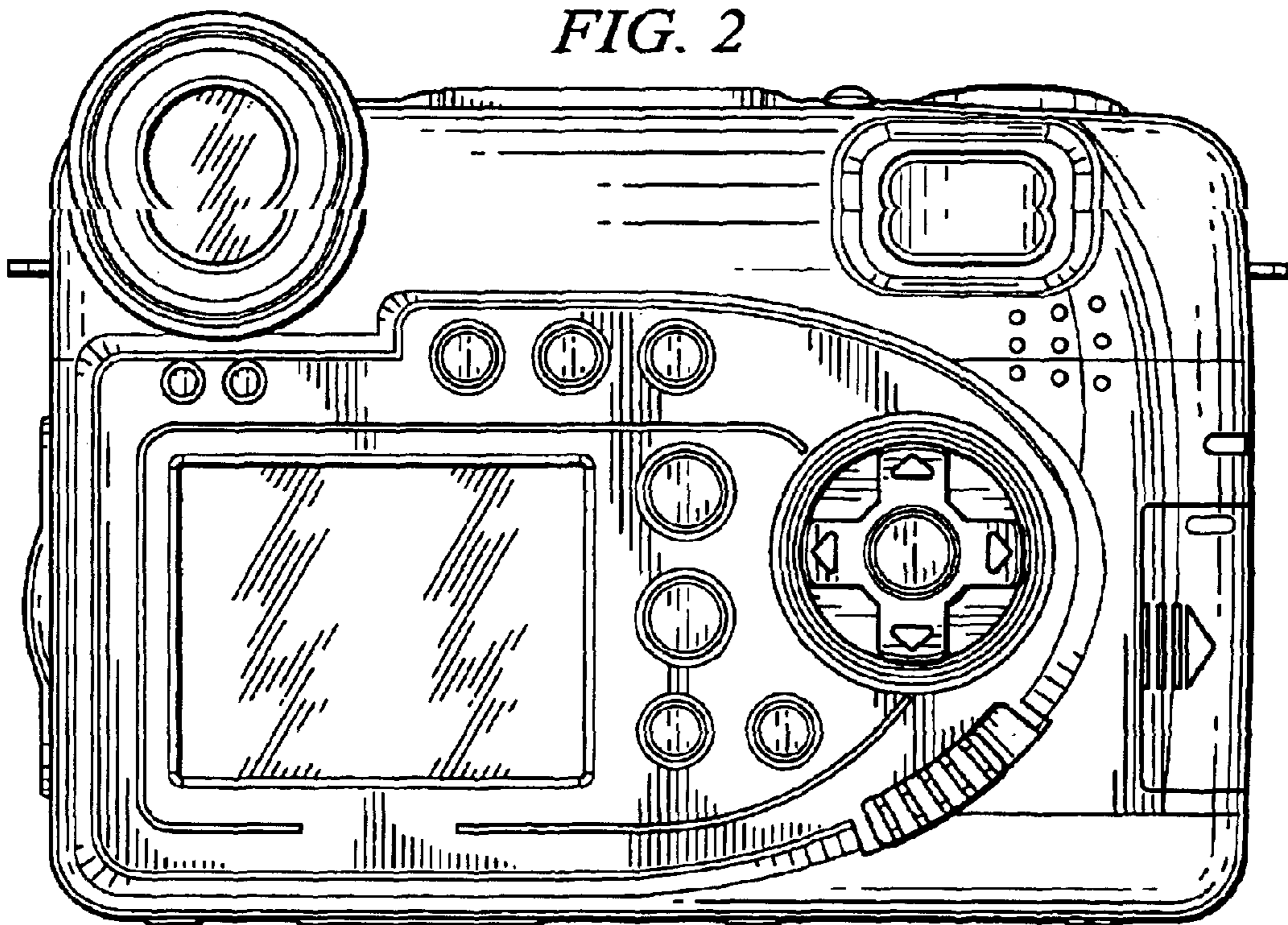


FIG. 3

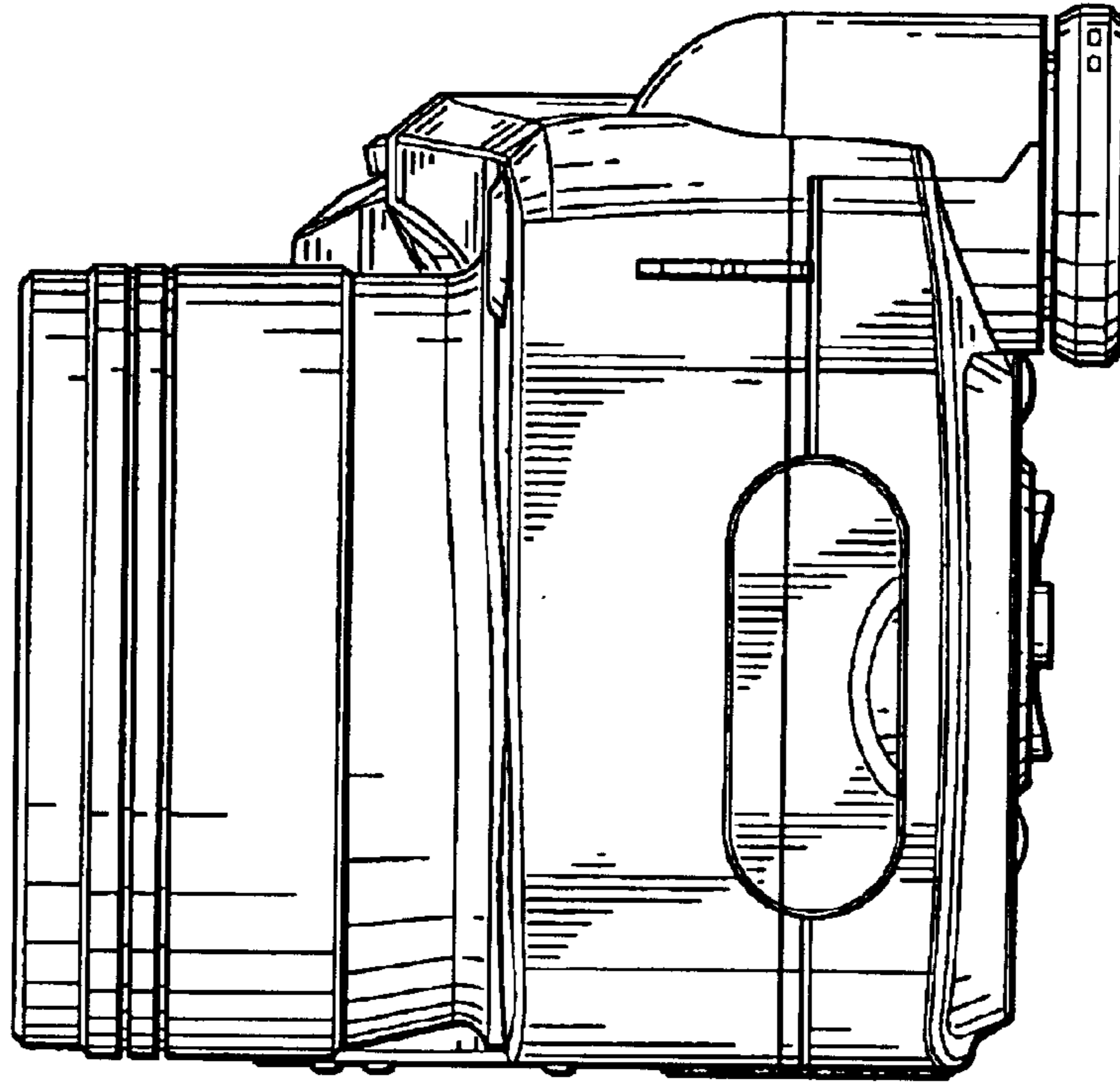


FIG. 4

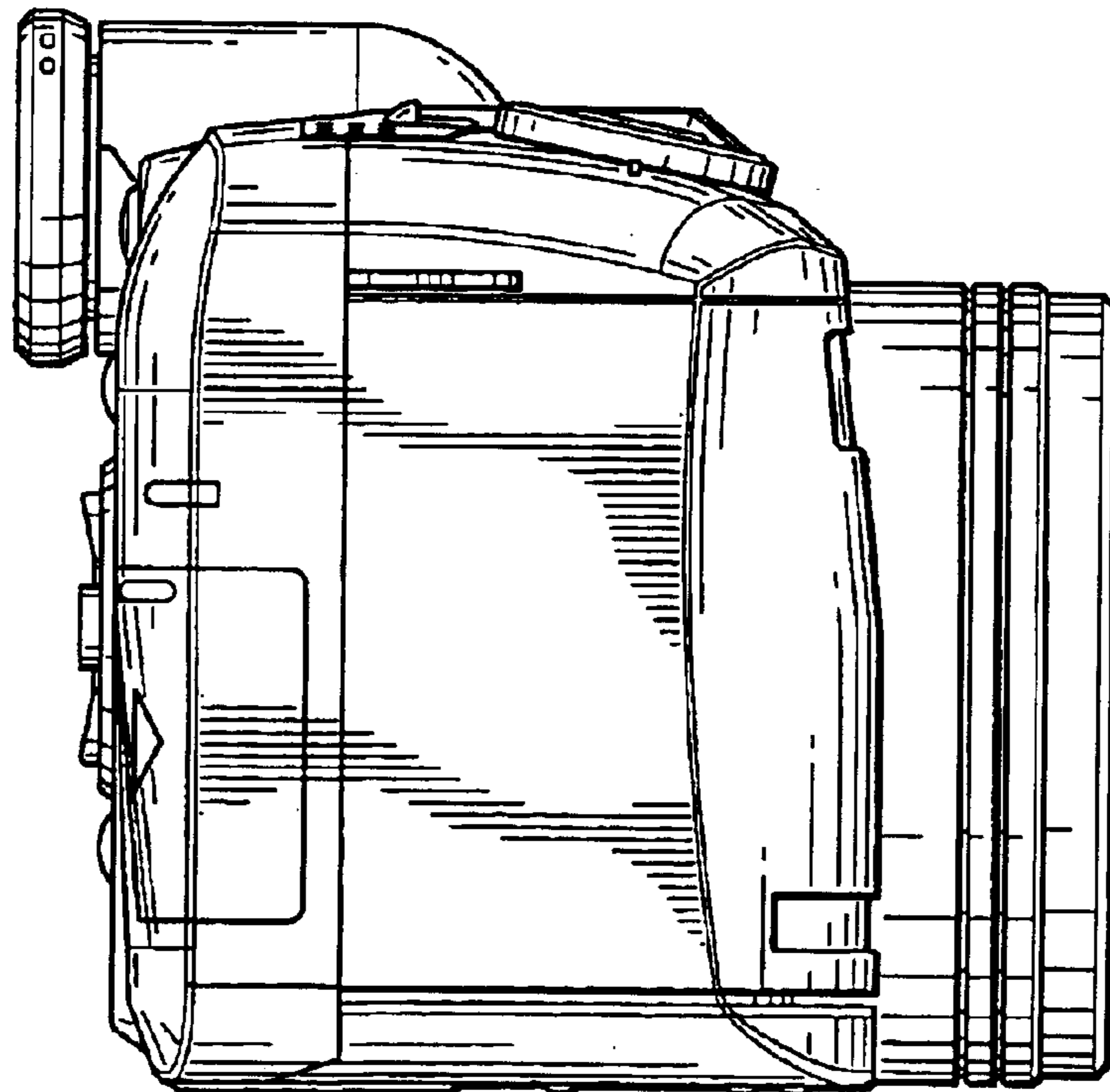


FIG. 5

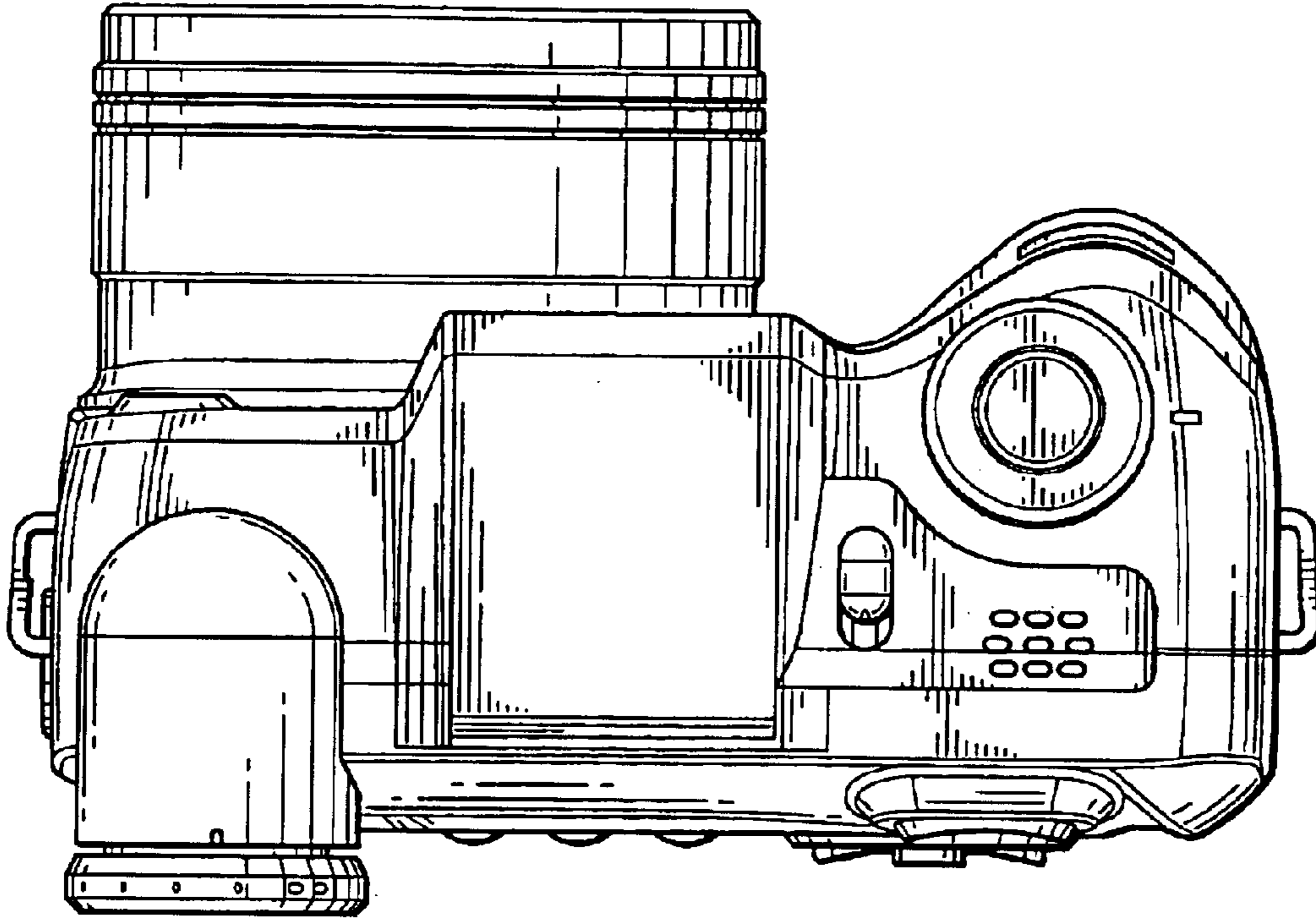
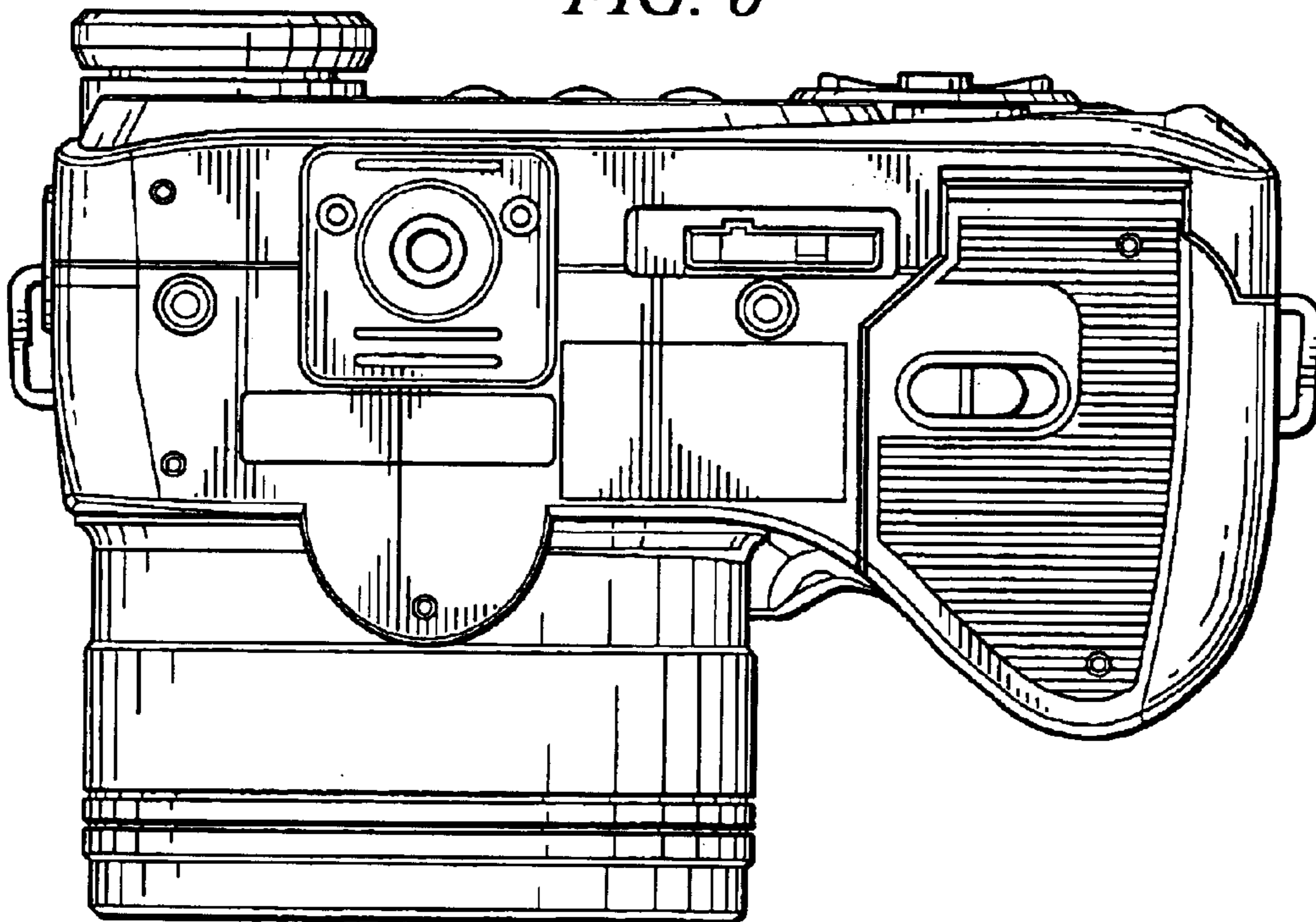


FIG. 6



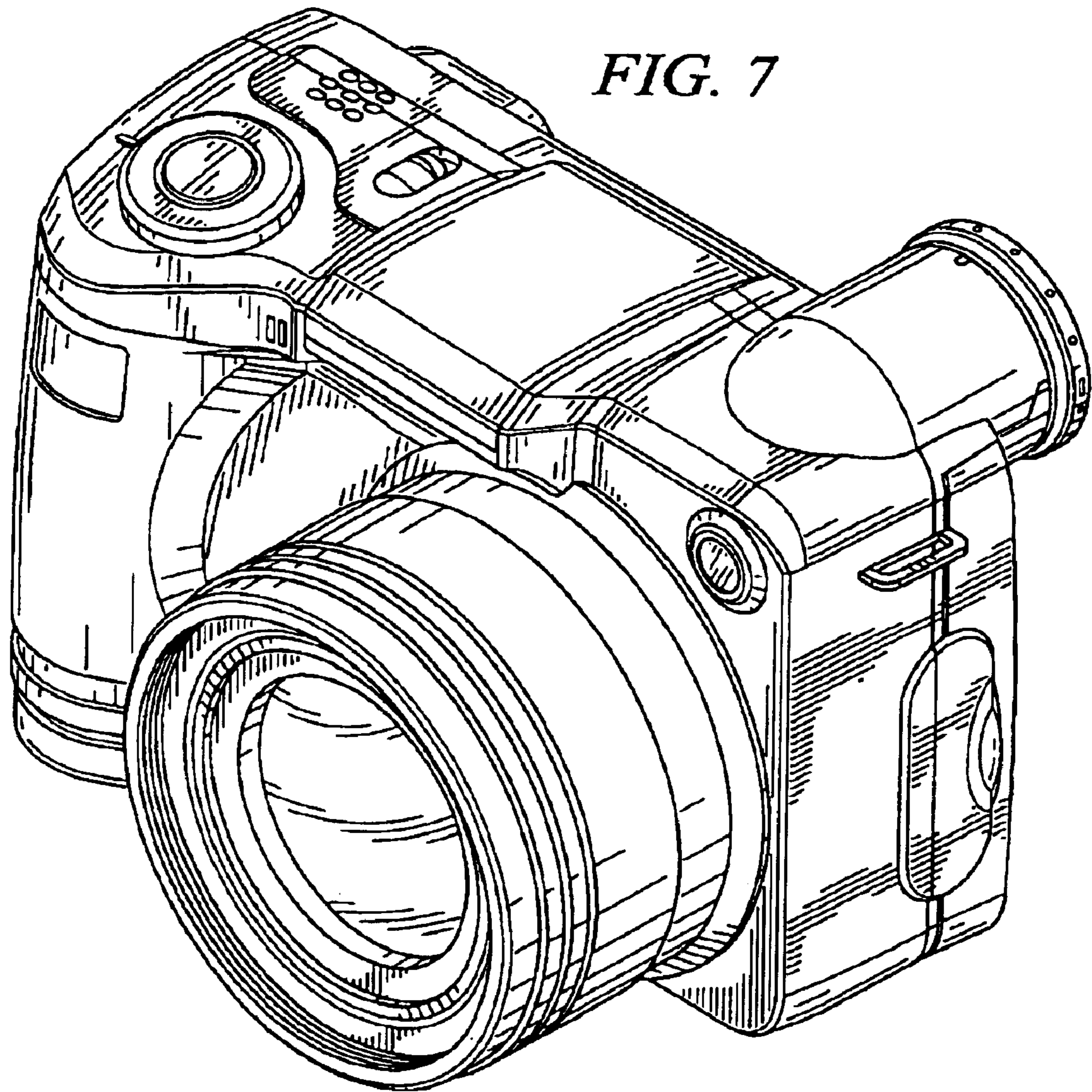


FIG. 7