

US00D493182S1

(12) **United States Design Patent**
Hosking

(10) **Patent No.:** **US D493,182 S**

(45) **Date of Patent:** **** Jul. 20, 2004**

(54) **DRILL PRESS**

(75) **Inventor:** **Peter John Hosking**, Victoria (AU)

(73) **Assignee:** **GMCA Pty. Ltd.**, Campbellfield
Victoria (AU)

(**) **Term:** **14 Years**

(21) **Appl. No.:** **29/186,569**

(22) **Filed:** **Jul. 15, 2003**

(51) **LOC (7) Cl.** **15-09**

(52) **U.S. Cl.** **D15/132**

(58) **Field of Search** D15/132; 29/27 R,
29/26 A, 560; 144/1.1, 46, 365, 253.2;
408/20, 87, 91, 103, 110, 129, 135, 140;
409/220, 227

(56) **References Cited**

U.S. PATENT DOCUMENTS

5,102,270 A * 4/1992 Warren 408/103
5,639,192 A * 6/1997 Chen 408/88

5,769,575 A * 6/1998 Stofflet et al. 408/17
5,960,531 A * 10/1999 Mora et al. 29/560
D465,501 S * 11/2002 Zhang et al. D15/132
6,626,615 B2 * 9/2003 Zou 408/111

* cited by examiner

Primary Examiner—Antoine D. Davis

(74) *Attorney, Agent, or Firm*—Westman, Champlin &
Kelly, P.A.

(57) **CLAIM**

The ornamental design for a drill press, as shown.

DESCRIPTION

FIG. 1 is a right side view of a drill press embodying my new design;

FIG. 2 is a left side view thereof;

FIG. 3 is a front view thereof;

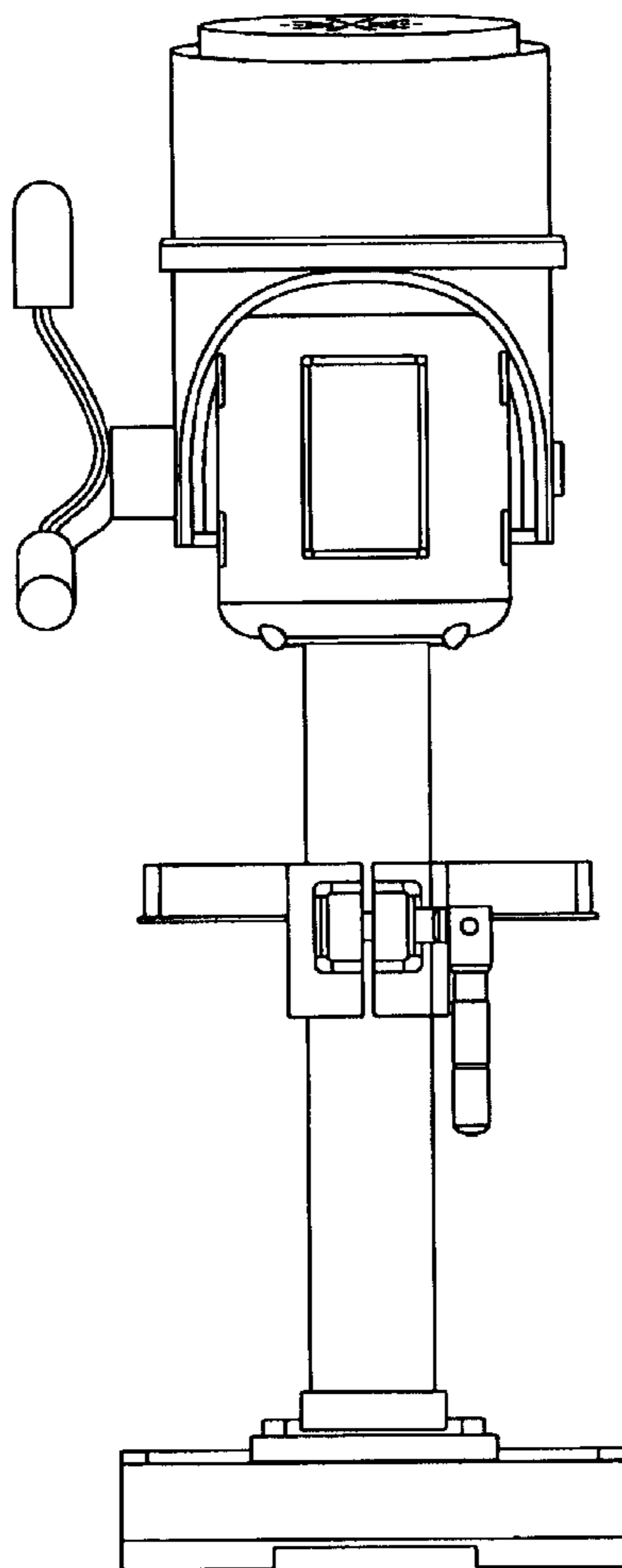
FIG. 4 is a top plan view thereof;

FIG. 5 is a bottom plan view thereof;

FIG. 6 is a rear view thereof; and,

FIG. 7 is a perspective view thereof.

1 Claim, 7 Drawing Sheets



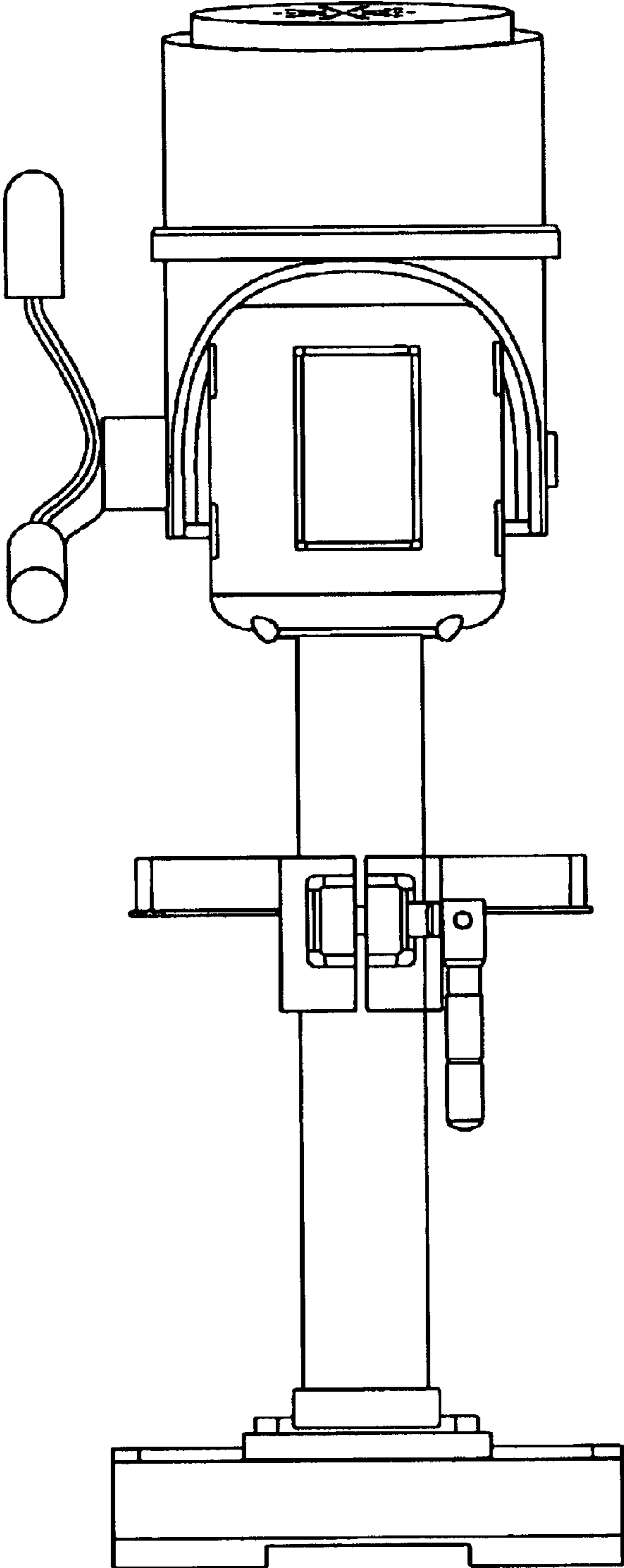


FIG. 1

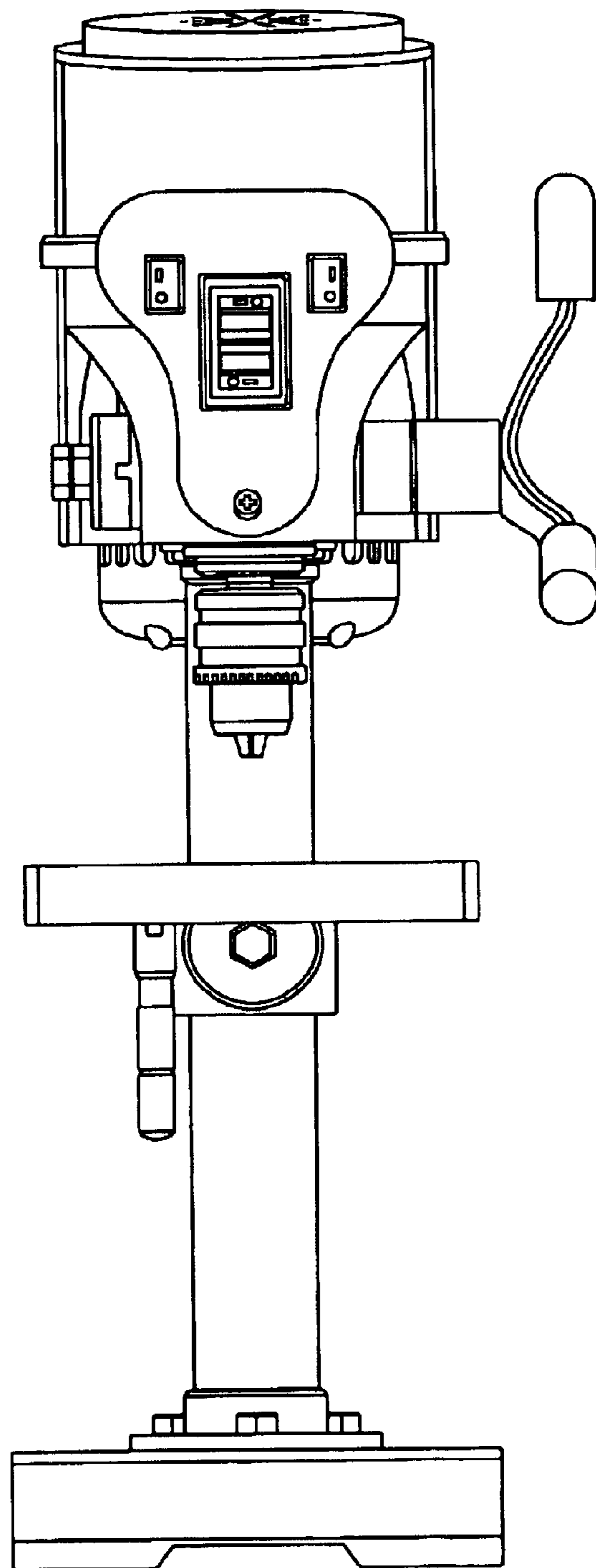


FIG. 2

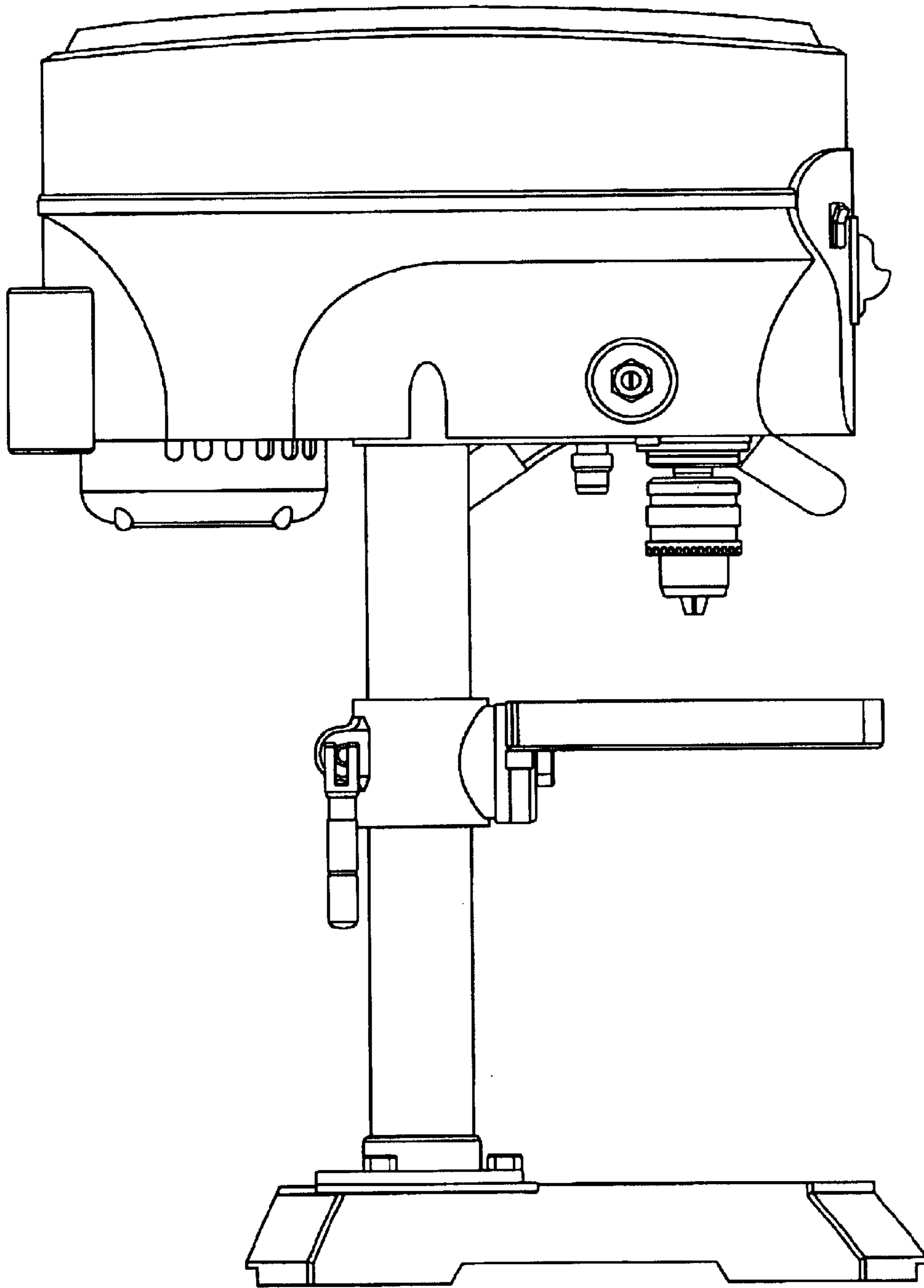


FIG. 3

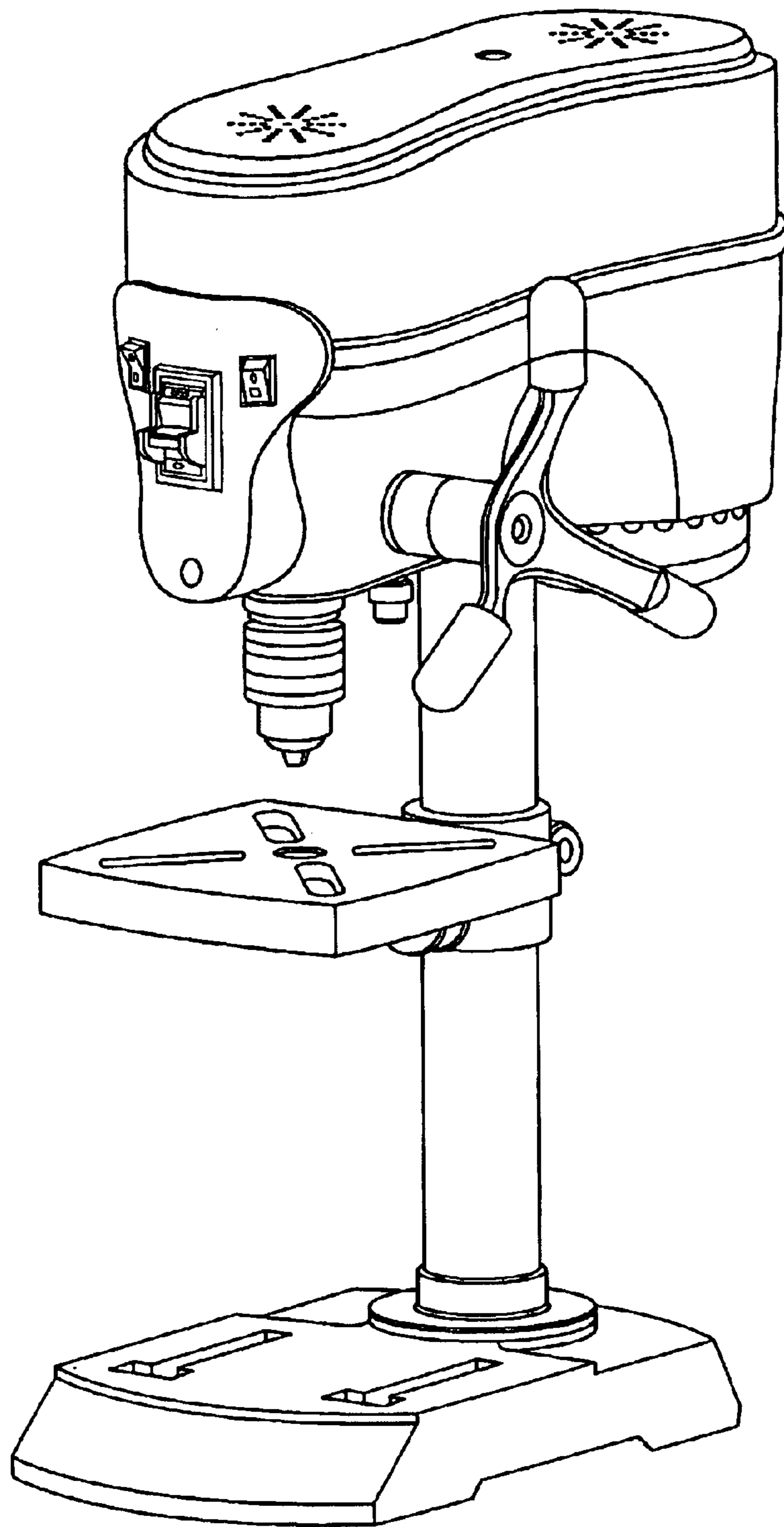


FIG. 4

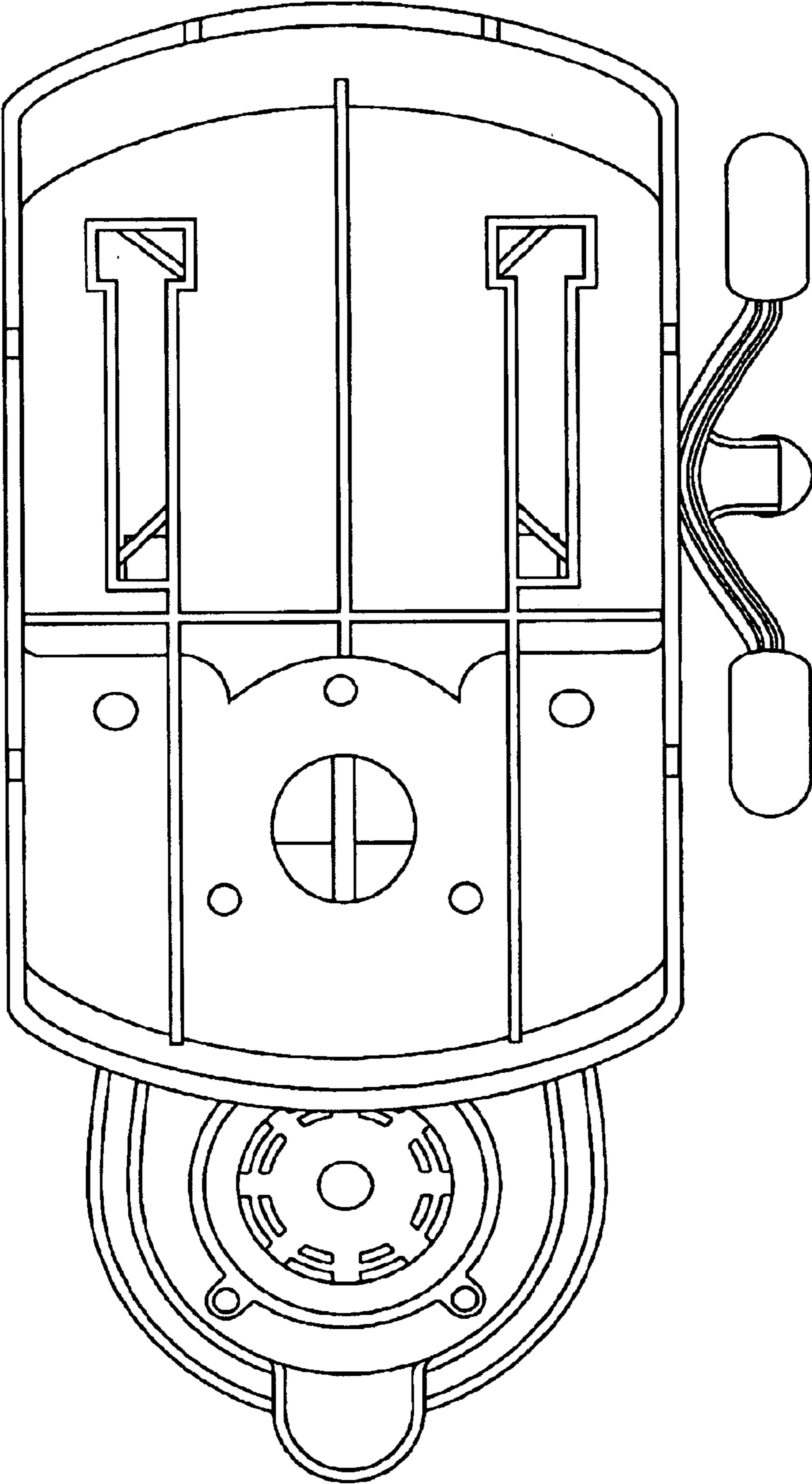


FIG. 5

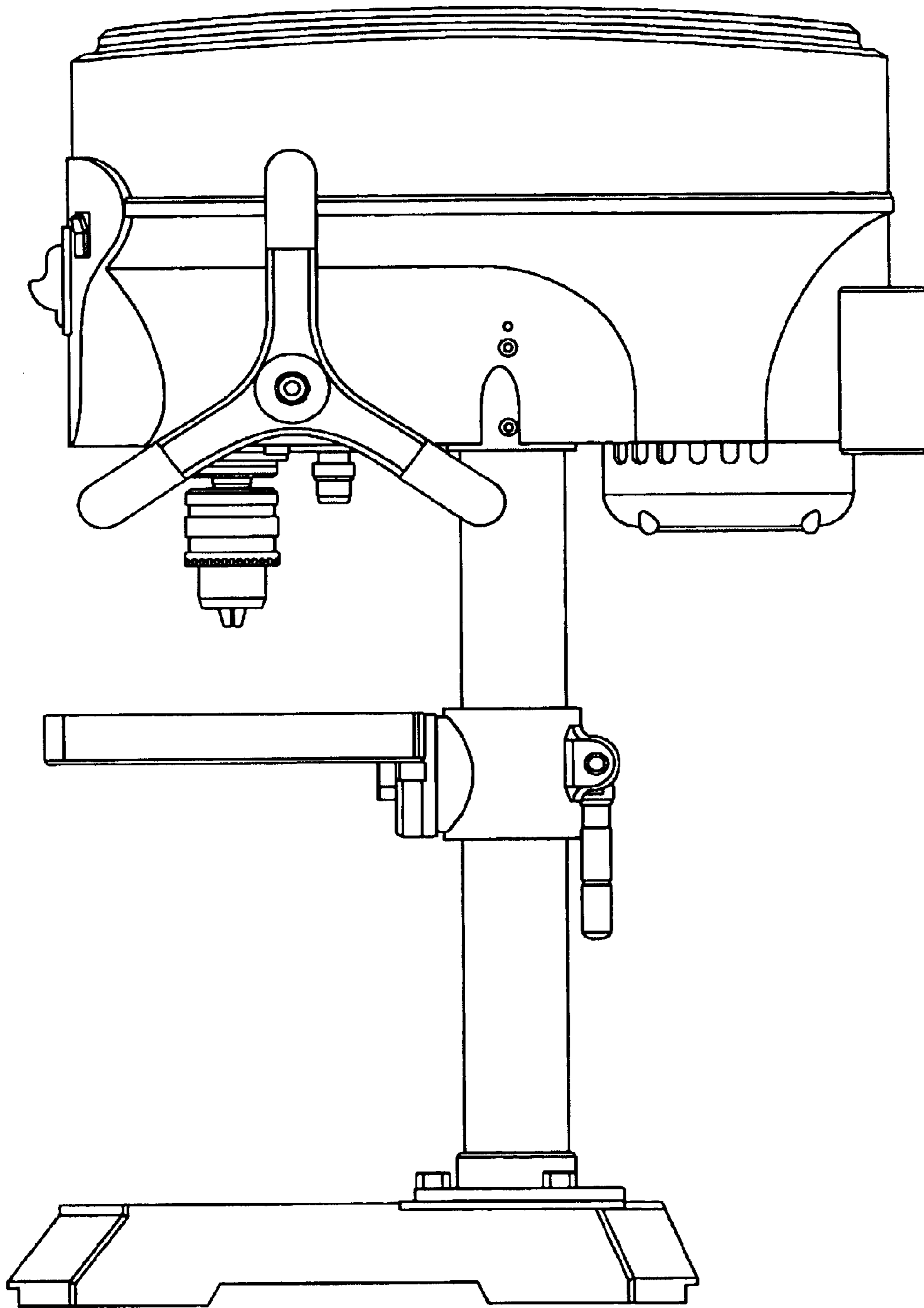


FIG. 6

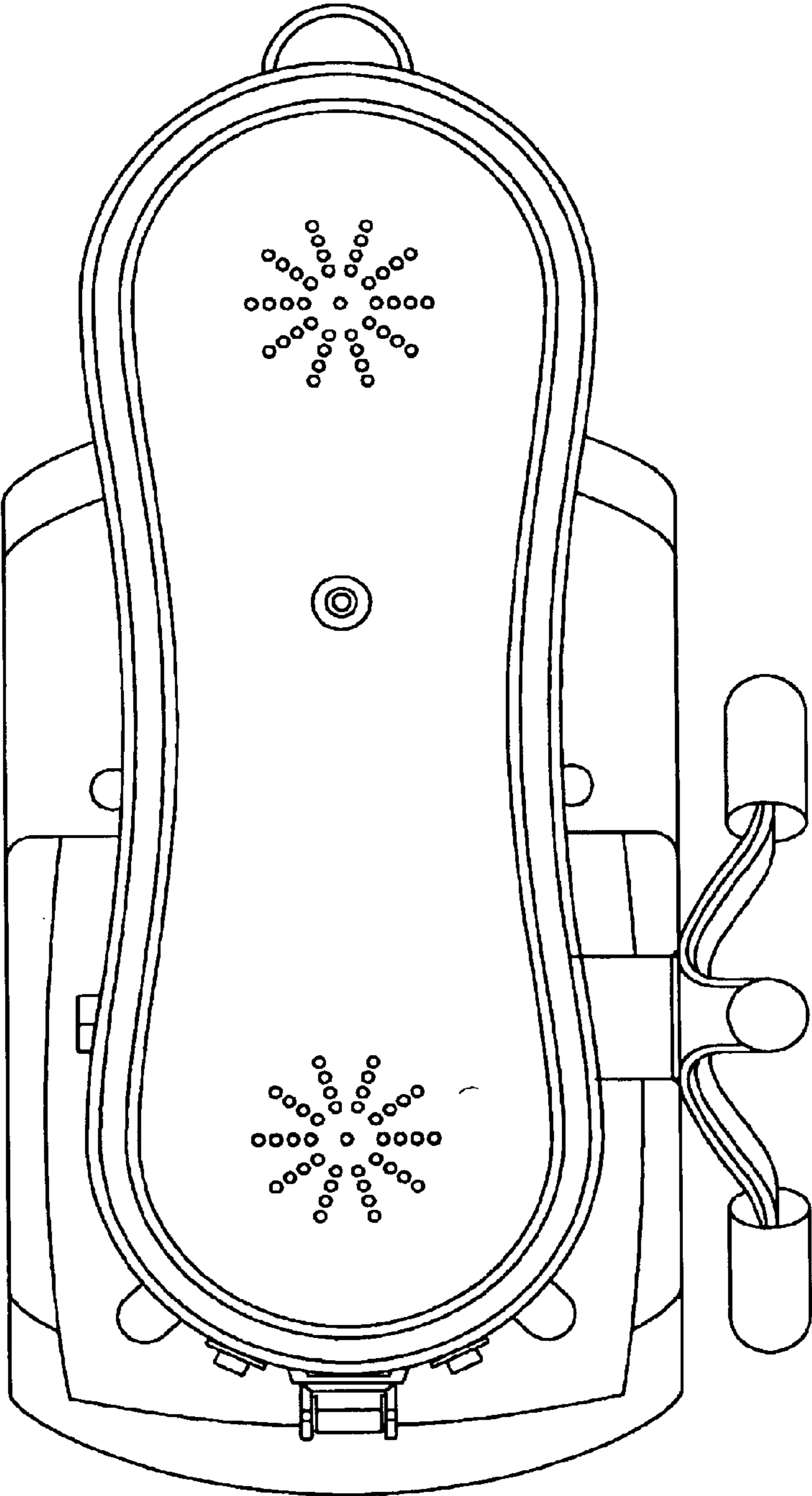


FIG. 7