

US00D493179S1

(12) **United States Design Patent**
Buck

(10) **Patent No.:** **US D493,179 S**
(45) **Date of Patent:** **** Jul. 20, 2004**

- (54) **HAND PORTABLE AIR COMPRESSOR**
- (75) **Inventor:** **John E. Buck**, Cockeysville, MD (US)
- (73) **Assignee:** **Black & Decker Inc.**, Newark, DE (US)
- (**) **Term:** **14 Years**
- (21) **Appl. No.:** **29/182,891**
- (22) **Filed:** **Jun. 2, 2003**

D444,796 S * 7/2001 Morgan D15/9
 D444,797 S * 7/2001 Davis et al. D15/9
 D452,253 S * 12/2001 Matthew et al. D15/9

* cited by examiner

Primary Examiner—Ralf Seifert

(74) *Attorney, Agent, or Firm*—Michael P. Leary; Bruce S. Shapiro; Charles E. Yocum

(57) **CLAIM**

The ornamental design for a hand portable air compressor, as shown and described.

Related U.S. Application Data

- (63) Continuation of application No. 29/145,543, filed on Jul. 26, 2001, now Pat. No. Des. 460,763, which is a continuation-in-part of application No. 29/136,877, filed on Feb. 8, 2001, now Pat. No. Des. 461,196.
- (51) **LOC (7) Cl.** **15-02**
- (52) **U.S. Cl.** **D15/9**
- (58) **Field of Search** D15/7-9; 417/234-235, 417/360, 415; D26/38; 248/645

DESCRIPTION

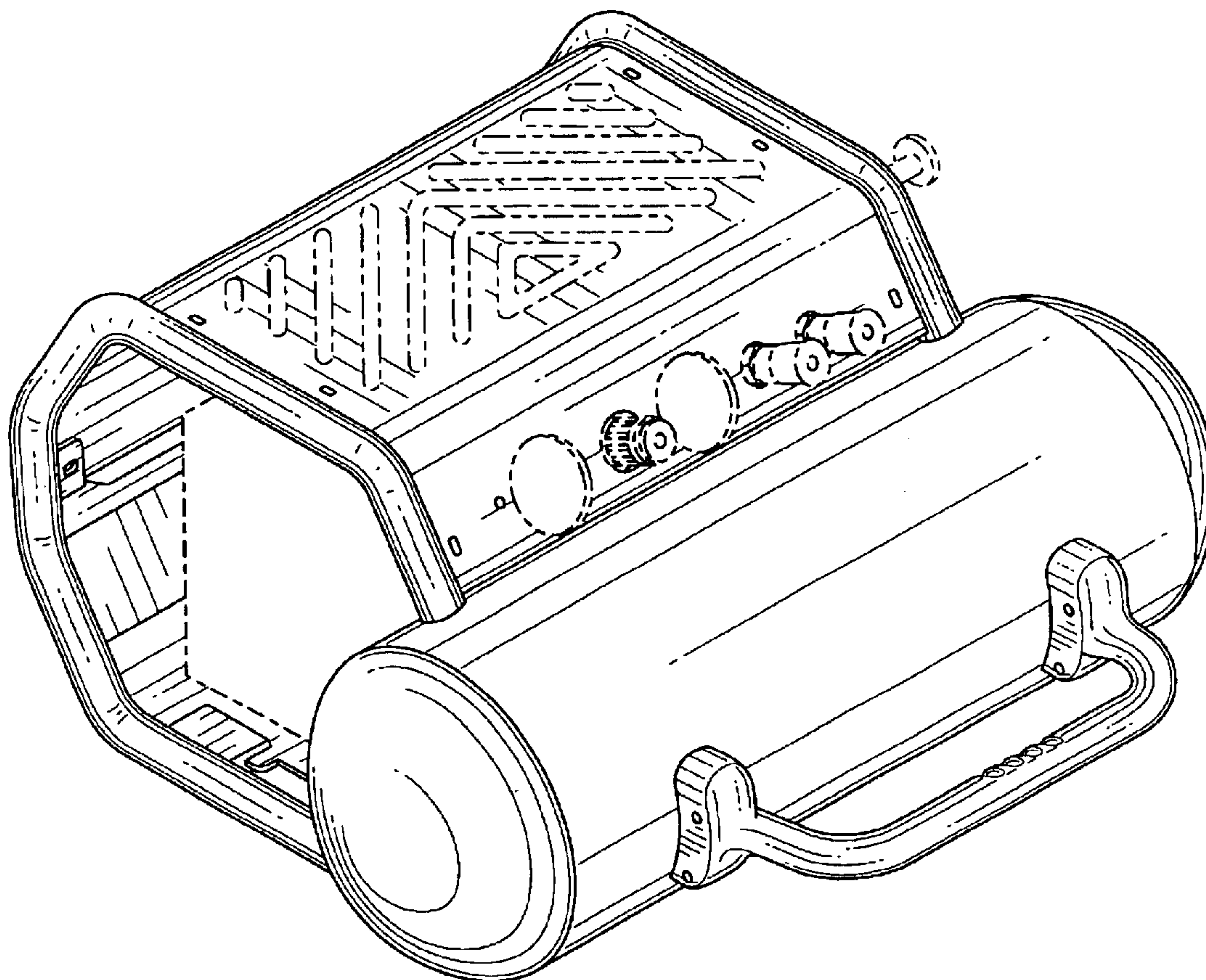
FIG. 1 is a front perspective view of a hand portable air compressor showing my new design.
 FIG. 2 is a front elevational view thereof.
 FIG. 3 is a rear elevational view thereof.
 FIG. 4 is a right side elevational view thereof.
 FIG. 5 is a left side elevational view thereof.
 FIG. 6 is a top plan view thereof; and,
 FIG. 7 is a bottom plan view thereof.
 The broken line showing of environmental structure is for illustrative purposes only and forms no part of the claimed design.

(56) **References Cited**

U.S. PATENT DOCUMENTS

D328,465 S * 8/1992 Schwarz et al. D15/9
 D440,578 S * 4/2001 Nolan D15/9

1 Claim, 7 Drawing Sheets



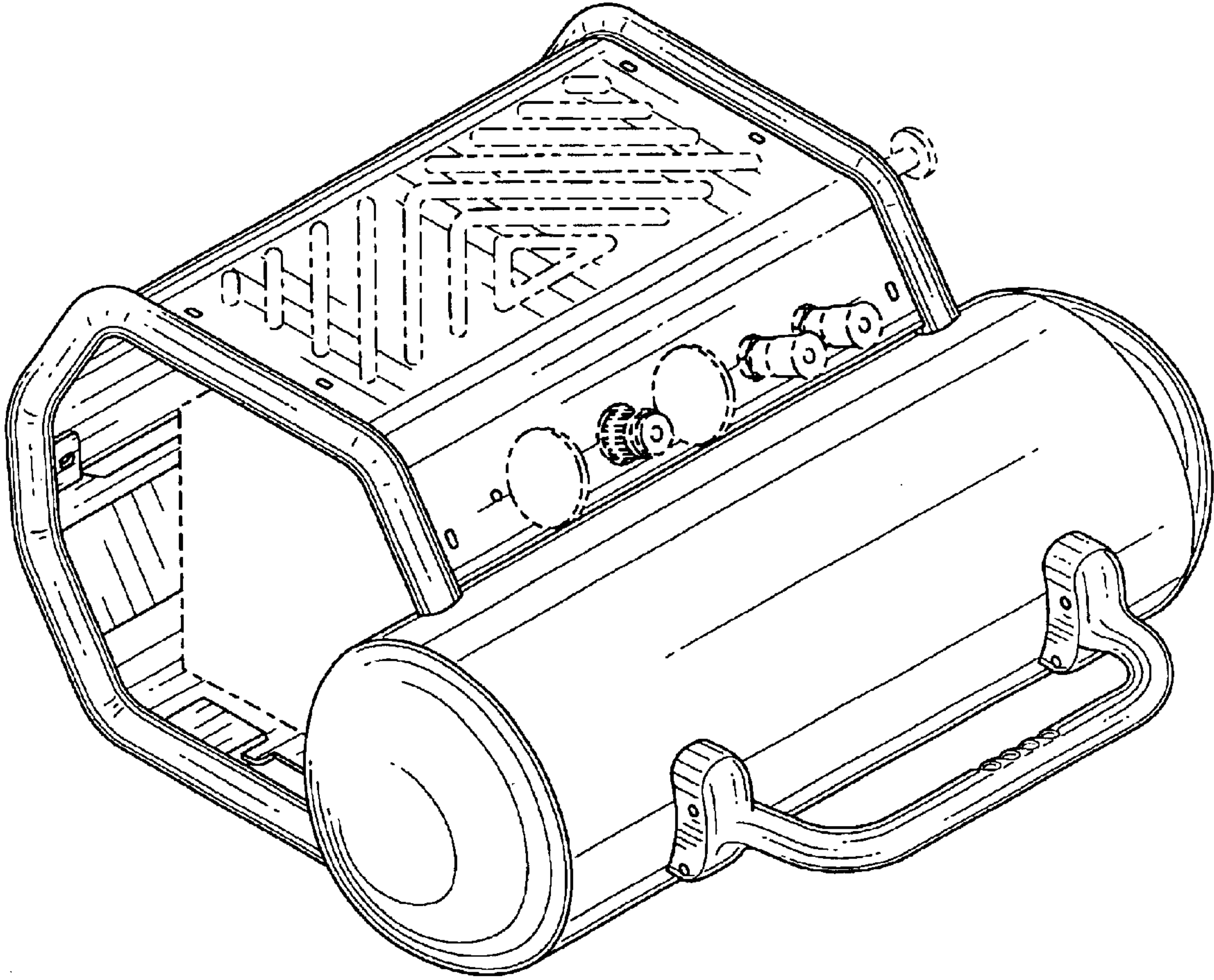


FIG. 1

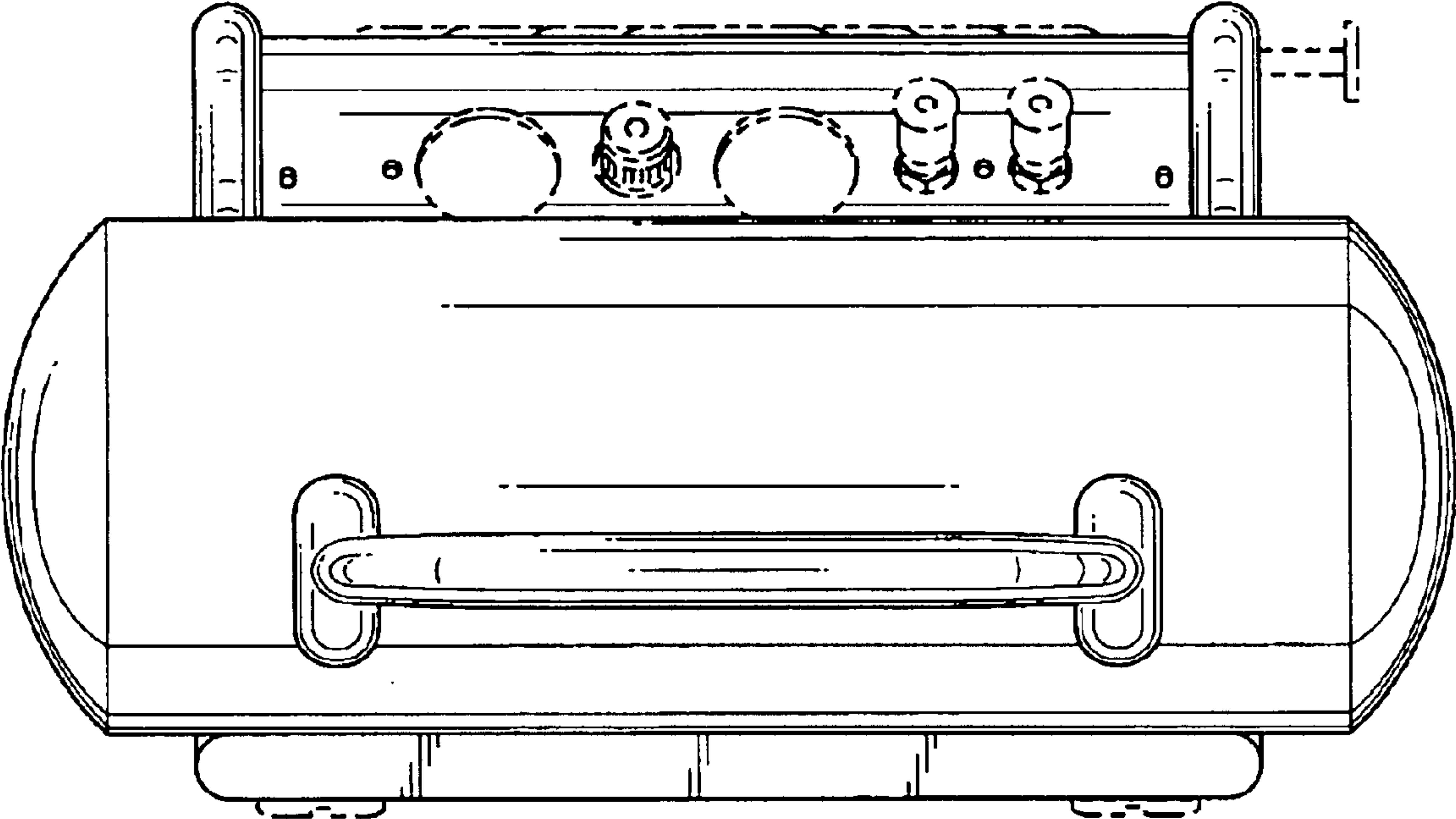


FIG. 2

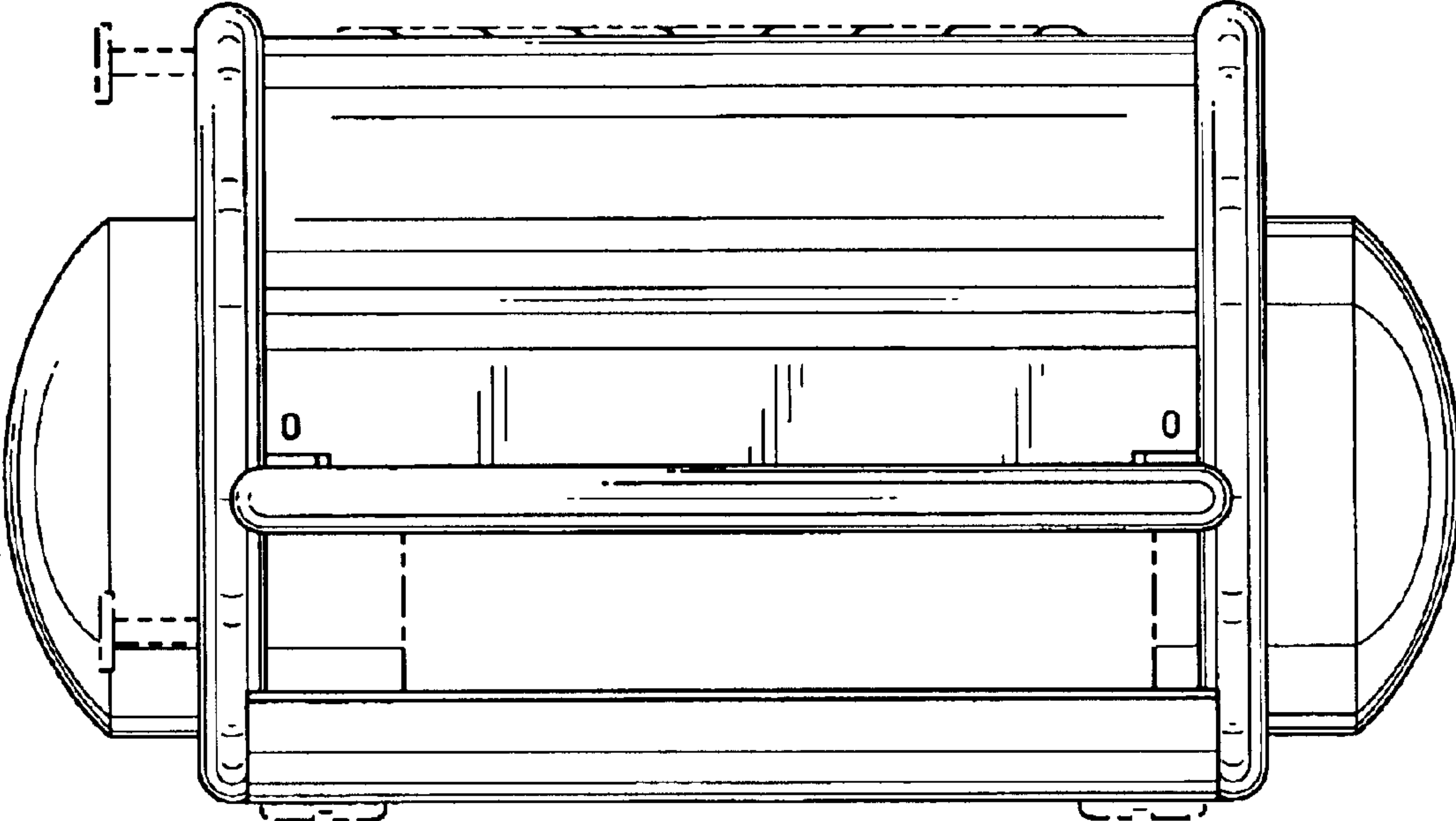


FIG. 3

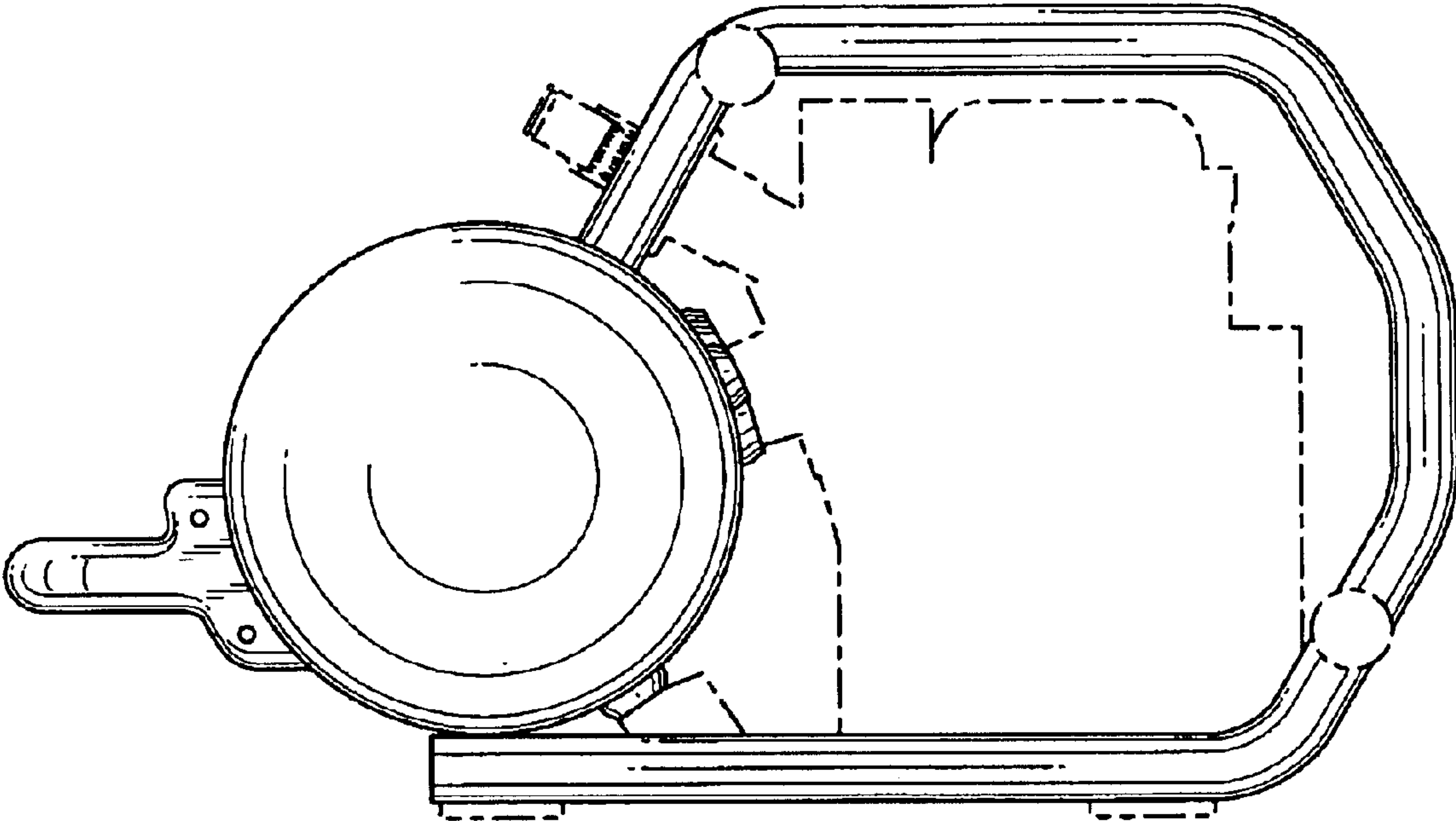


FIG. 4

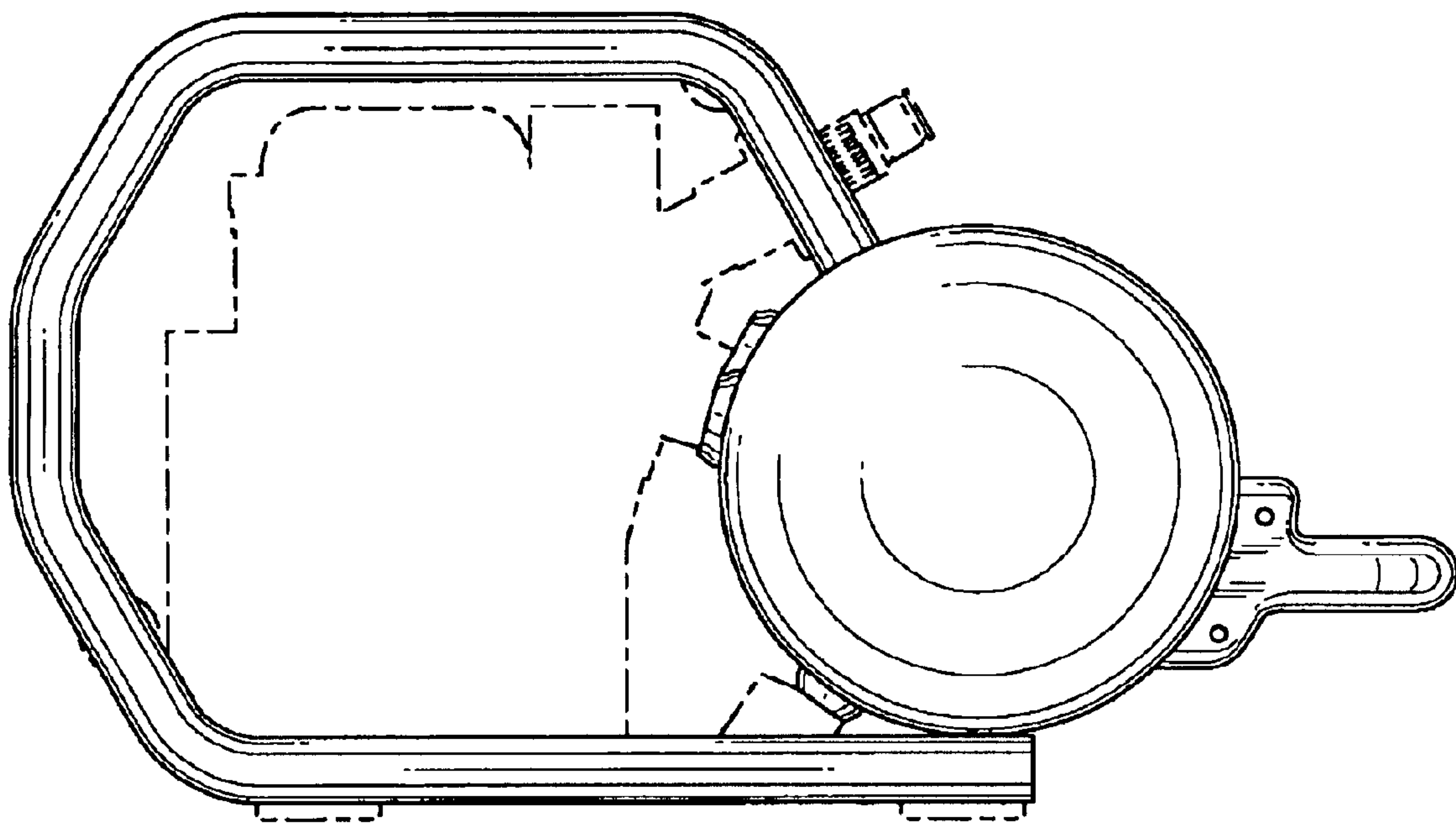


FIG. 5

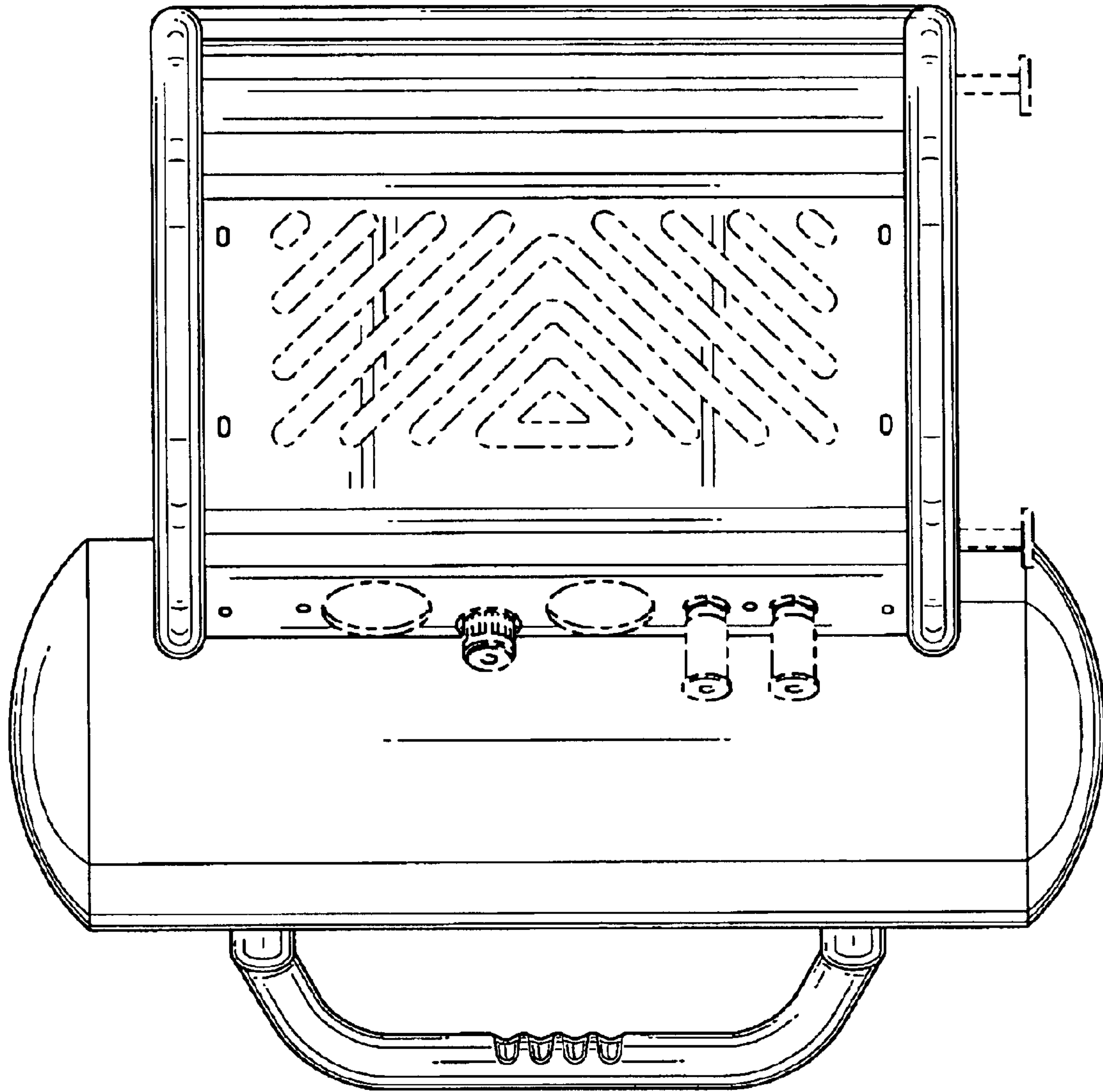


FIG. 6

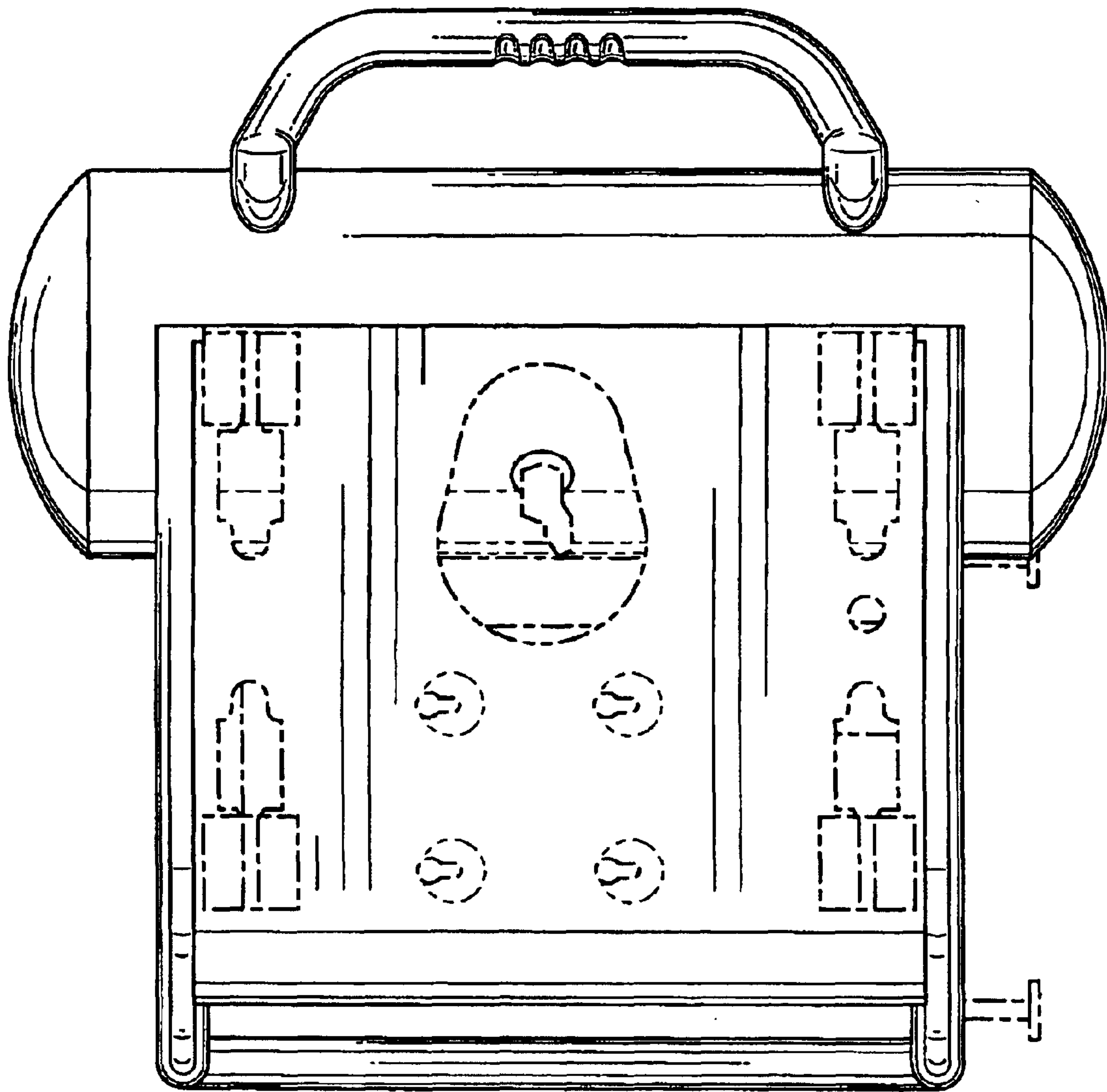


FIG. 7