

US00D493177S1

(12) **United States Design Patent**  
**Retuta et al.**

(10) **Patent No.:** **US D493,177 S**  
(45) **Date of Patent:** **\*\* Jul. 20, 2004**

(54) **USER INTERFACE ICON FOR A PORTION OF A DISPLAY SCREEN**

(75) Inventors: **Salve E. Retuta**, North Brunswick, NJ (US); **Jeremy C. Landis**, Philadelphia, PA (US); **Eric J. Elia**, Philadelphia, PA (US); **Leslie A. Kelly**, Columbia, MD (US); **Kevin M. Langdon**, Philadelphia, PA (US); **Cindy Rosen**, Philadelphia, PA (US)

(73) Assignee: **Comcast Cable Holdings, LLC**, Philadelphia, PA (US)

(\*\*) Term: **14 Years**

(21) Appl. No.: **29/181,906**

(22) Filed: **May 15, 2003**

(51) **LOC (7) Cl.** ..... **14-02**

(52) **U.S. Cl.** ..... **D14/486**

(58) **Field of Search** ..... D14/485-95; D18/24-33; D19/6; D20/11; D21/324-33; 345/700-26, 764-866

(56) **References Cited**

**U.S. PATENT DOCUMENTS**

D435,257 S \* 12/2000 Woods ..... D14/485

D464,360 S \* 10/2002 Grundel et al. .... D14/485  
D474,195 S \* 5/2003 Kates et al. .... D14/485  
D474,197 S \* 5/2003 Nguyen ..... D14/486  
D476,995 S \* 7/2003 Kreikemeier et al. .... D14/486  
D485,279 S \* 1/2004 DeCombe ..... D14/486

**OTHER PUBLICATIONS**

Intertainer, [www.brilliantmedia.com/broadband.html](http://www.brilliantmedia.com/broadband.html), May 1999.

\* cited by examiner

*Primary Examiner*—M. H. Tung

(74) *Attorney, Agent, or Firm*—Brooks Kushman P.C.

(57) **CLAIM**

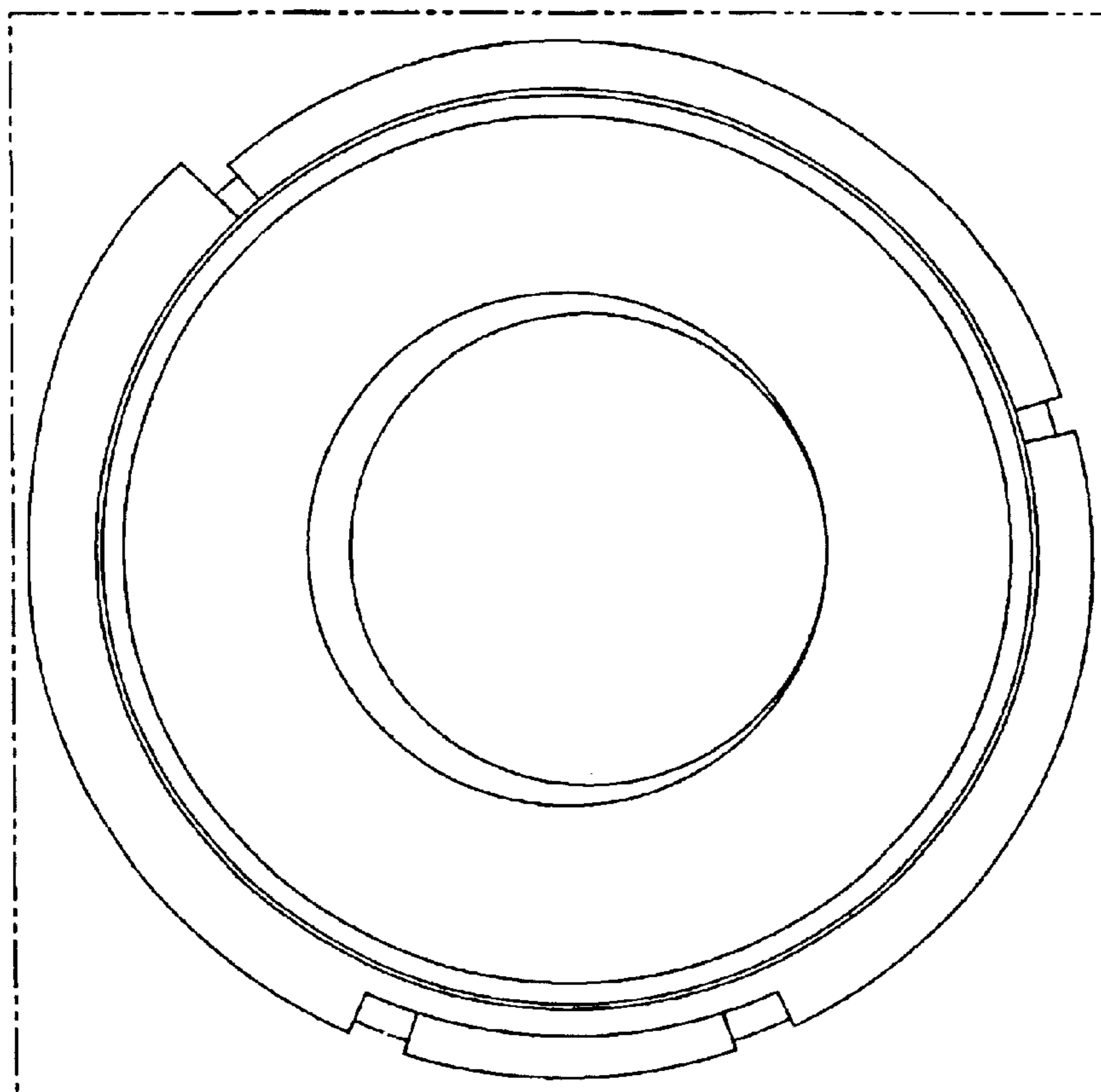
The ornamental design for a user interface icon for a portion of a display screen, as shown and described.

**DESCRIPTION**

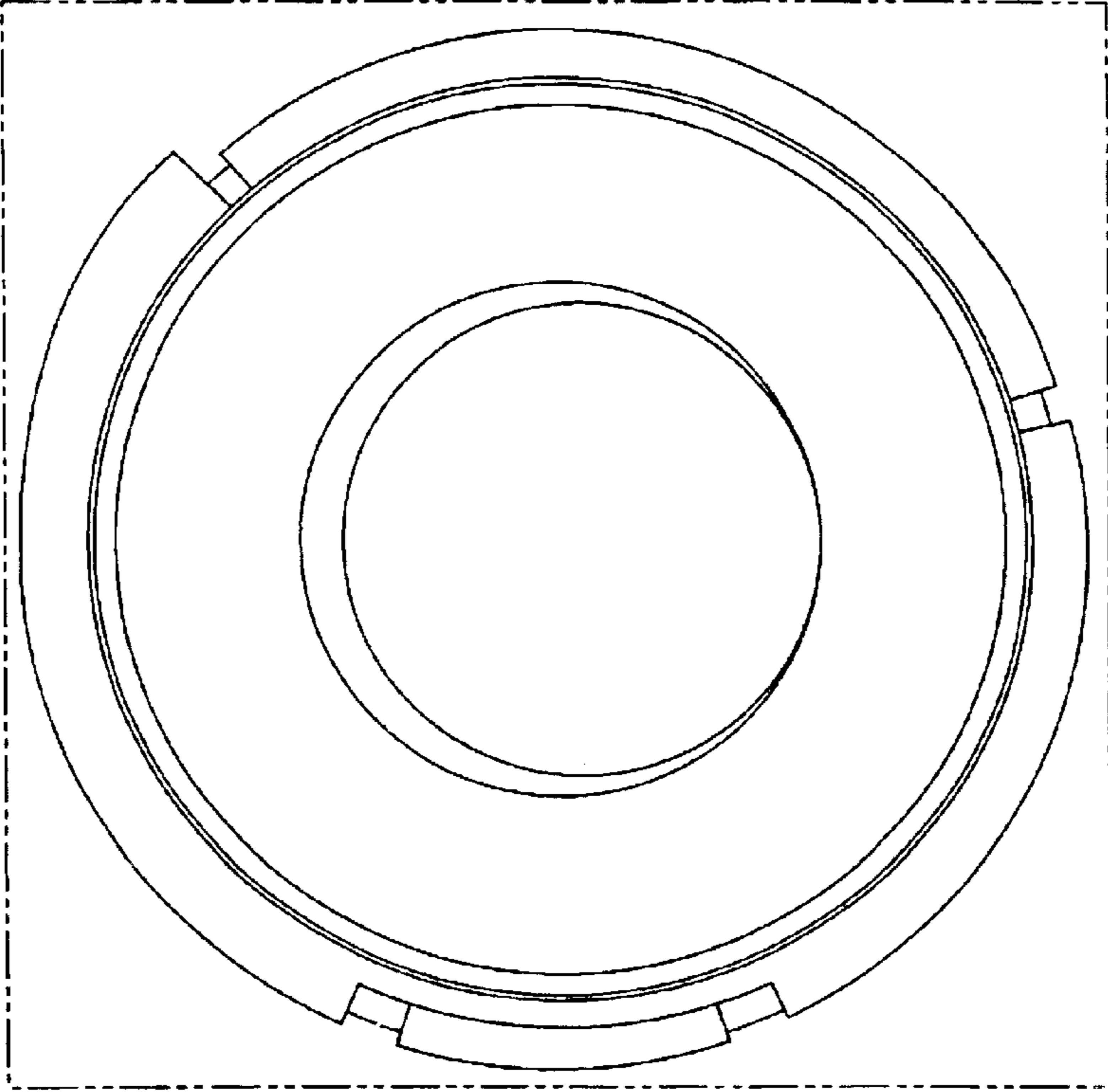
FIG. 1 is a front view of a user interface icon for a portion of a display screen according to the present invention; and, FIG. 2 is a front view of a third embodiment thereof.

The broken line drawing of a portion of a display screen in both views is for illustrative purposes only and forms no part of the claimed design.

**1 Claim, 1 Drawing Sheet**



*Fig. 1*



*Fig. 2*

