

US00D493171S1

(12) **United States Design Patent**
Nishio et al.

(10) **Patent No.:** **US D493,171 S**
(45) **Date of Patent:** **** Jul. 20, 2004**

(54) **ATTACHING DEVICE OF RECORDING MEDIUM**

5,324,204 A * 6/1994 Lwee 361/684 X
5,586,003 A * 12/1996 Schmitt et al. 361/684 X
5,764,481 A * 6/1998 Ruch et al. 361/684 X
5,907,354 A * 5/1999 Cama et al. 361/684 X

(75) Inventors: **Atsushi Nishio**, Ibaraki-ken (JP);
Takashi Kawasaki, Ibaraki-ken (JP);
Kazuhiro Okazaki, Ibaraki-ken (JP);
Satoru Karahashi, Ibaraki-ken (JP)

* cited by examiner

(73) Assignee: **Mitsumi Electric Co., Ltd.**, Tokyo (JP)

Primary Examiner—Joel Sincavage
(74) *Attorney, Agent, or Firm*—Sughrue Mion, PLLC

(**) Term: **14 Years**

(57) **CLAIM**

(21) Appl. No.: **29/168,624**

The ornamental design for an attaching device of recording medium, as shown.

(22) Filed: **Oct. 7, 2002**

DESCRIPTION

(30) **Foreign Application Priority Data**

Apr. 8, 2002 (JP) 2002-009282

(51) **LOC (7) Cl.** **14-02**

(52) **U.S. Cl.** **D14/367**

(58) **Field of Search** D14/348, 356,
D14/357, 358, 362, 363, 365, 367, 368,
370, 432, 433, 483; 361/684, 689, 818;
369/75.1, 77.1, 77.2; 365/52, 53; 360/245.8,
97.01

FIG. 1 is a perspective view of the top, front and right side of an attaching device of recording medium showing our new design;

FIG. 2 is a perspective view of the rear, bottom and left side thereof;

FIG. 3 is a front elevational view thereof;

FIG. 4 is a rear elevational view thereof;

FIG. 5 is a right side elevational view thereof;

FIG. 6 is a left side elevational view thereof;

FIG. 7 is a top plan view thereof; and,

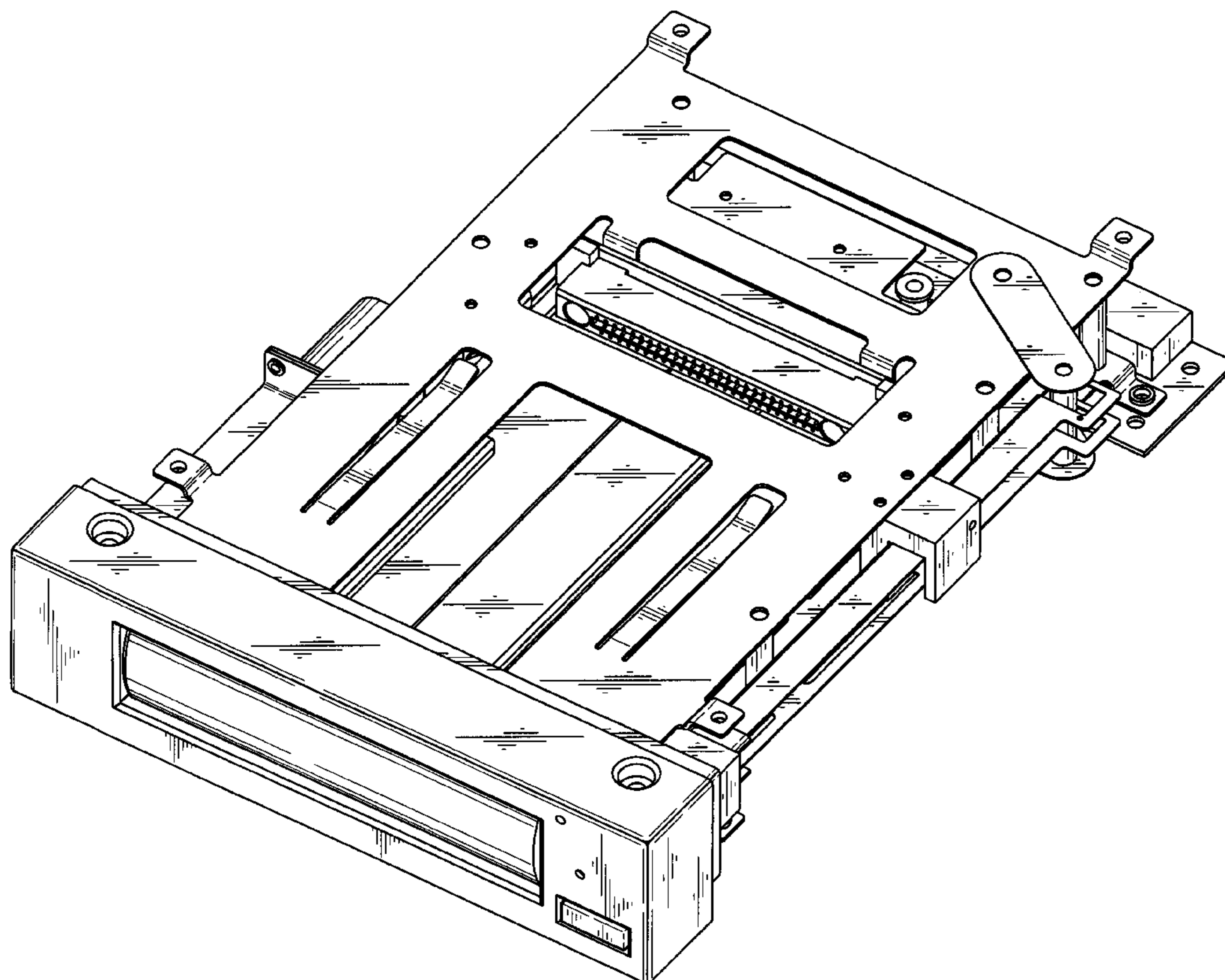
FIG. 8 is a bottom plan view thereof.

(56) **References Cited**

U.S. PATENT DOCUMENTS

D334,917 S * 4/1993 Miyamoto D14/362

1 Claim, 6 Drawing Sheets



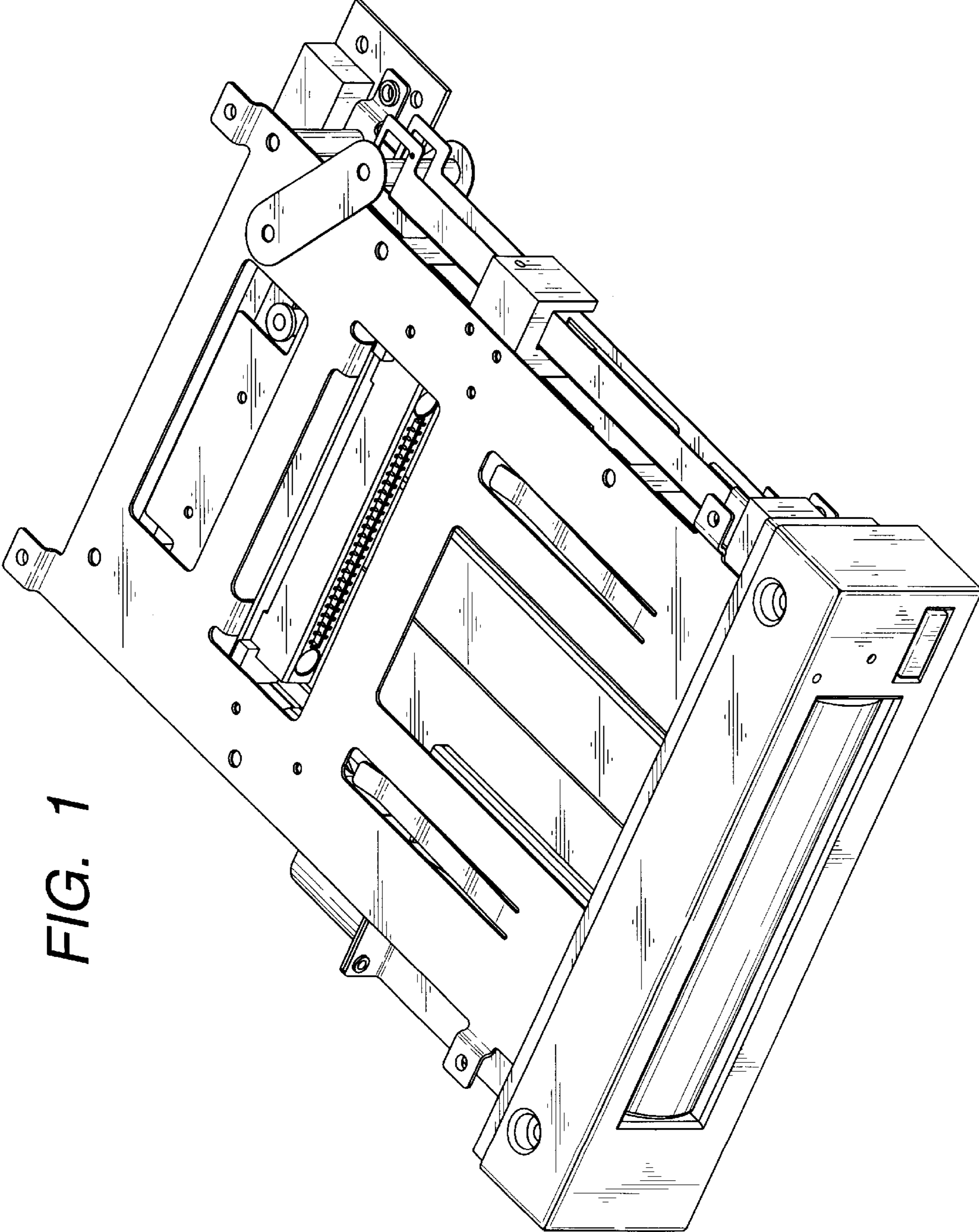


FIG. 1

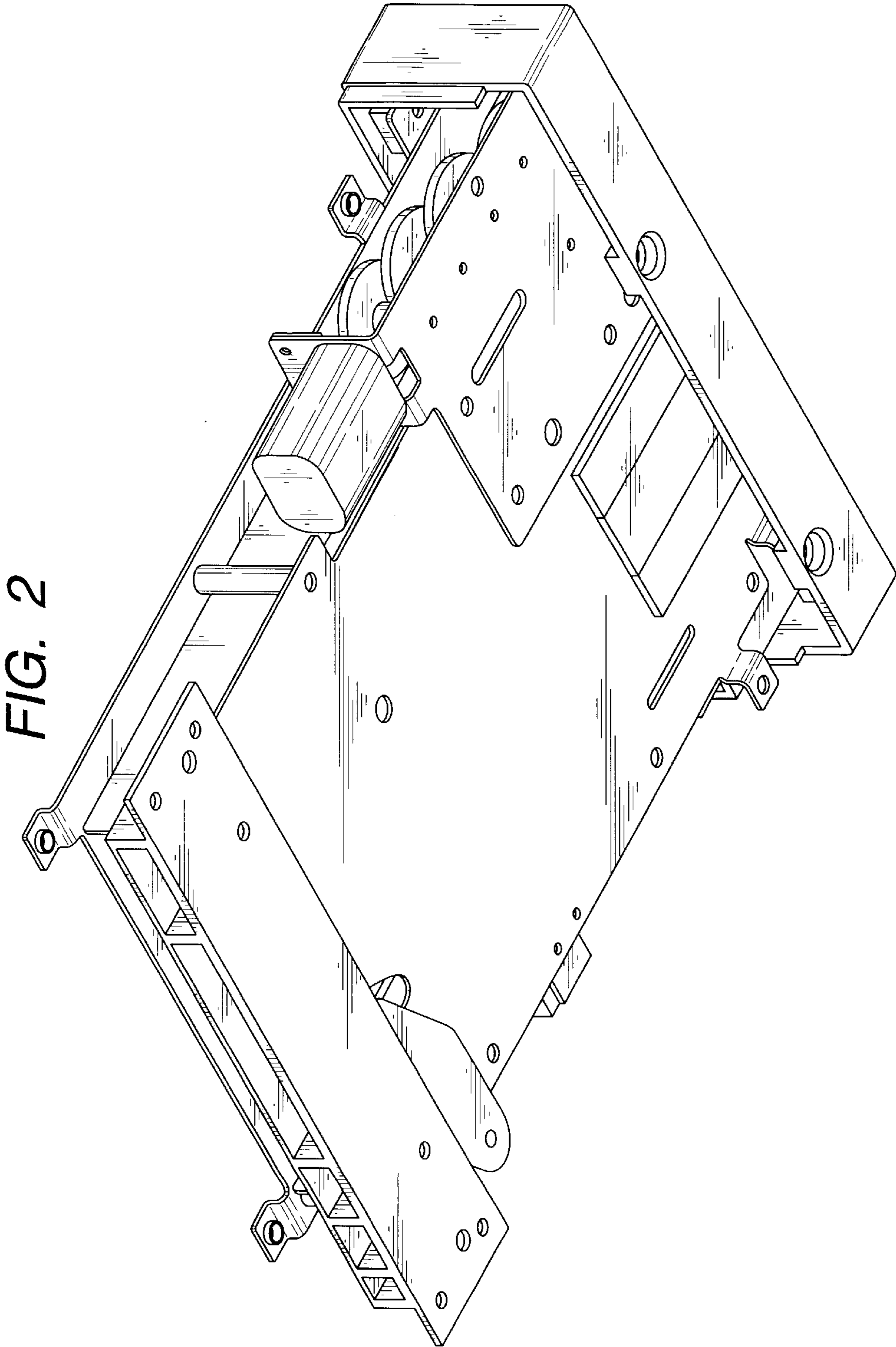


FIG. 3

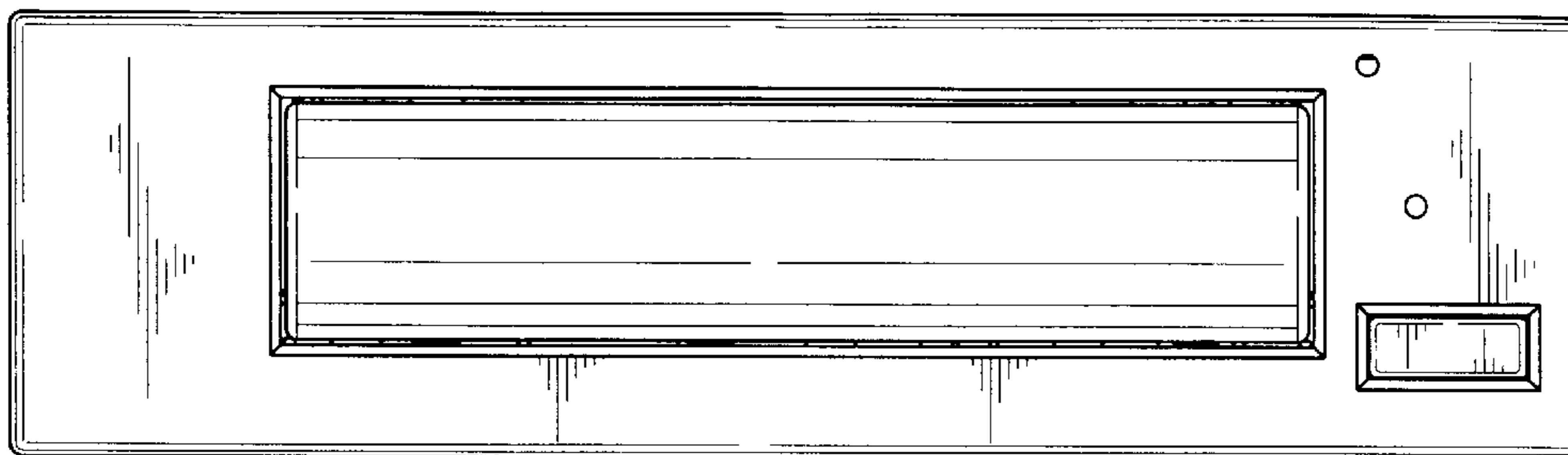


FIG. 4

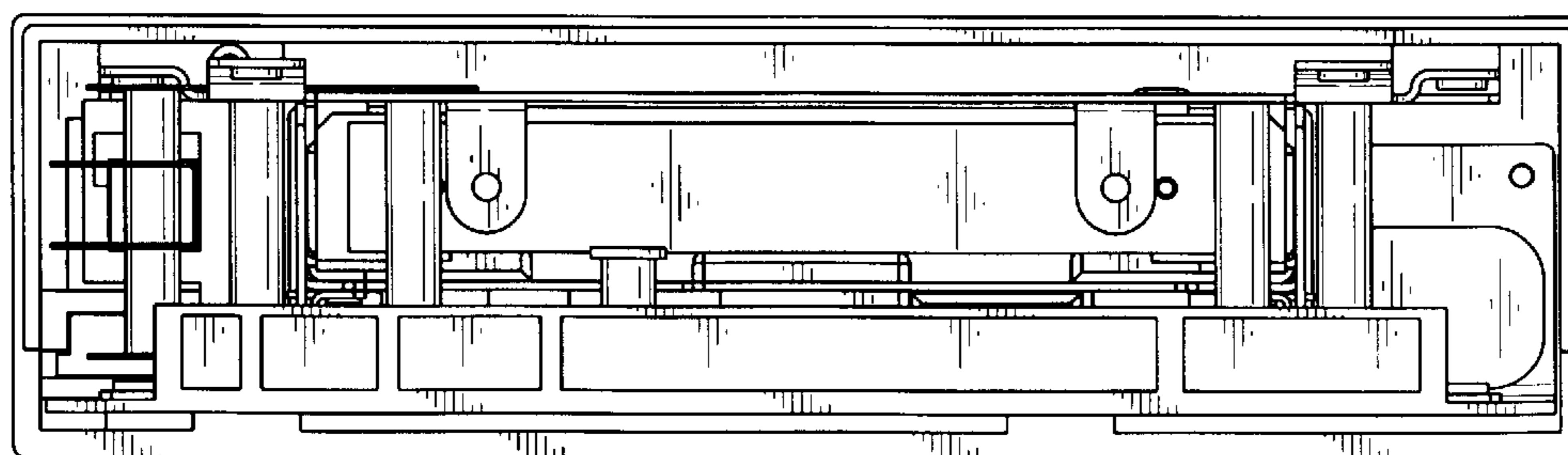


FIG. 5

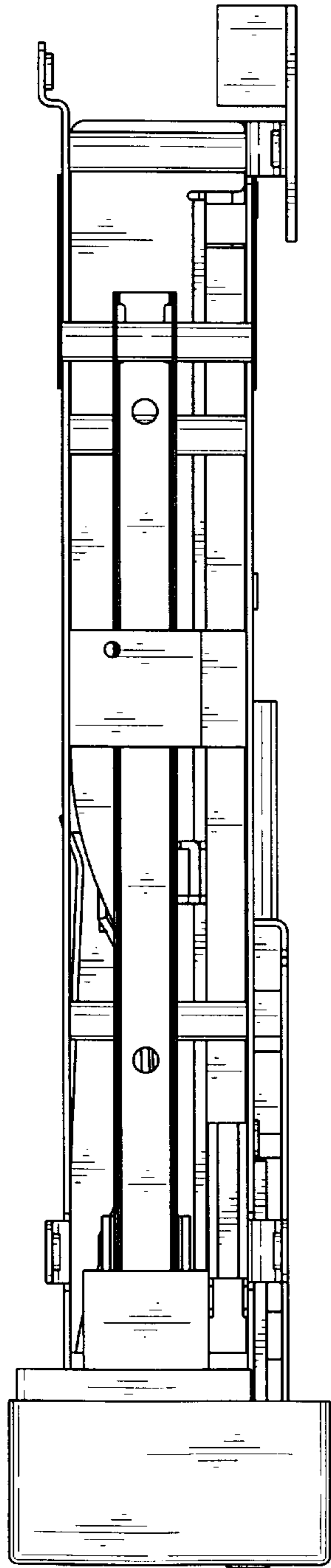


FIG. 6

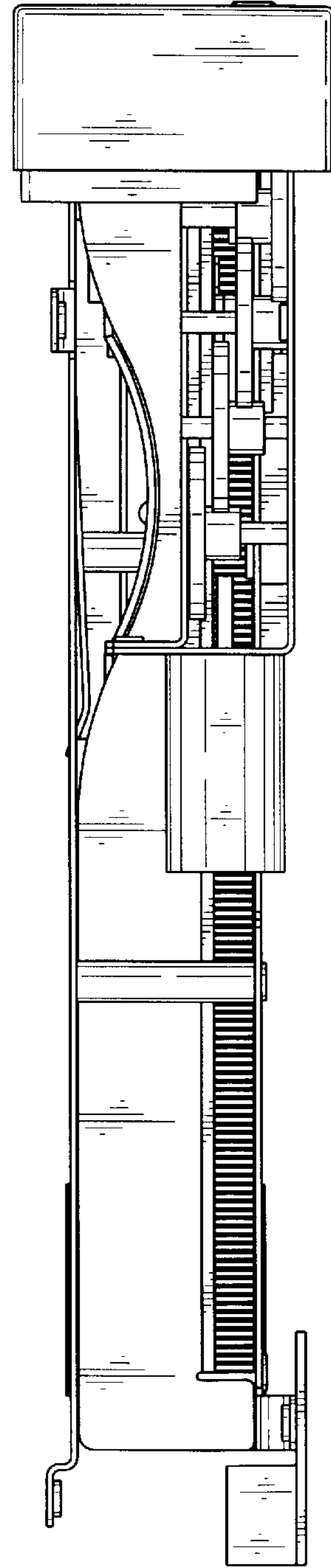


FIG. 7

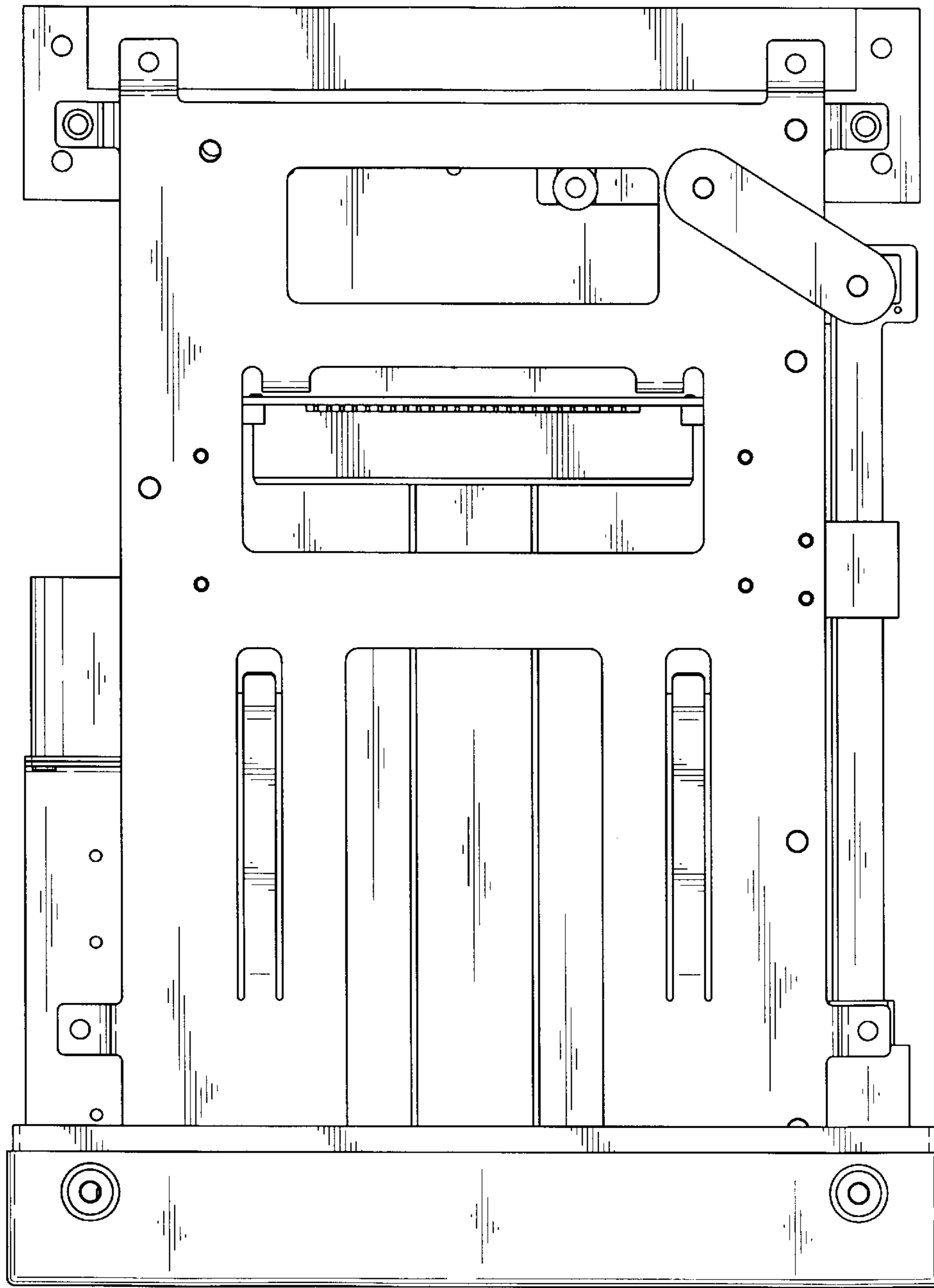


FIG. 8

