

US00D493167S1

(12) **United States Design Patent**  
**Yu**

(10) **Patent No.:** **US D493,167 S**  
(45) **Date of Patent:** **\*\* Jul. 20, 2004**

(54) **TELEPHONE LINE CONNECTOR**

D400,178 S \* 10/1998 Liu ..... D13/147  
D481,010 S \* 10/2003 Yu ..... D13/147

(75) Inventor: **Piao-Lung Yu, Taipei (TW)**

**FOREIGN PATENT DOCUMENTS**

(73) Assignee: **Tsay-E International Inc., Taipei (TW)**

GB 2002171 \* 4/1990  
GB 2068479 \* 7/1998

(\*\*) Term: **14 Years**

\* cited by examiner

(21) Appl. No.: **29/170,693**

*Primary Examiner*—Charles A. Rademaker  
(74) *Attorney, Agent, or Firm*—Dellett & Walters

(22) Filed: **Nov. 11, 2002**

(51) **LOC (7) Cl.** ..... **14-02**

(57) **CLAIM**

(52) **U.S. Cl.** ..... **D14/256; D13/147**

The ornamental design for a telephone line connector, as shown.

(58) **Field of Search** ..... D14/240, 256;  
D13/147, 133, 137.2, 146, 151; 439/676,  
535, 607, 638, 76.1, 344

**DESCRIPTION**

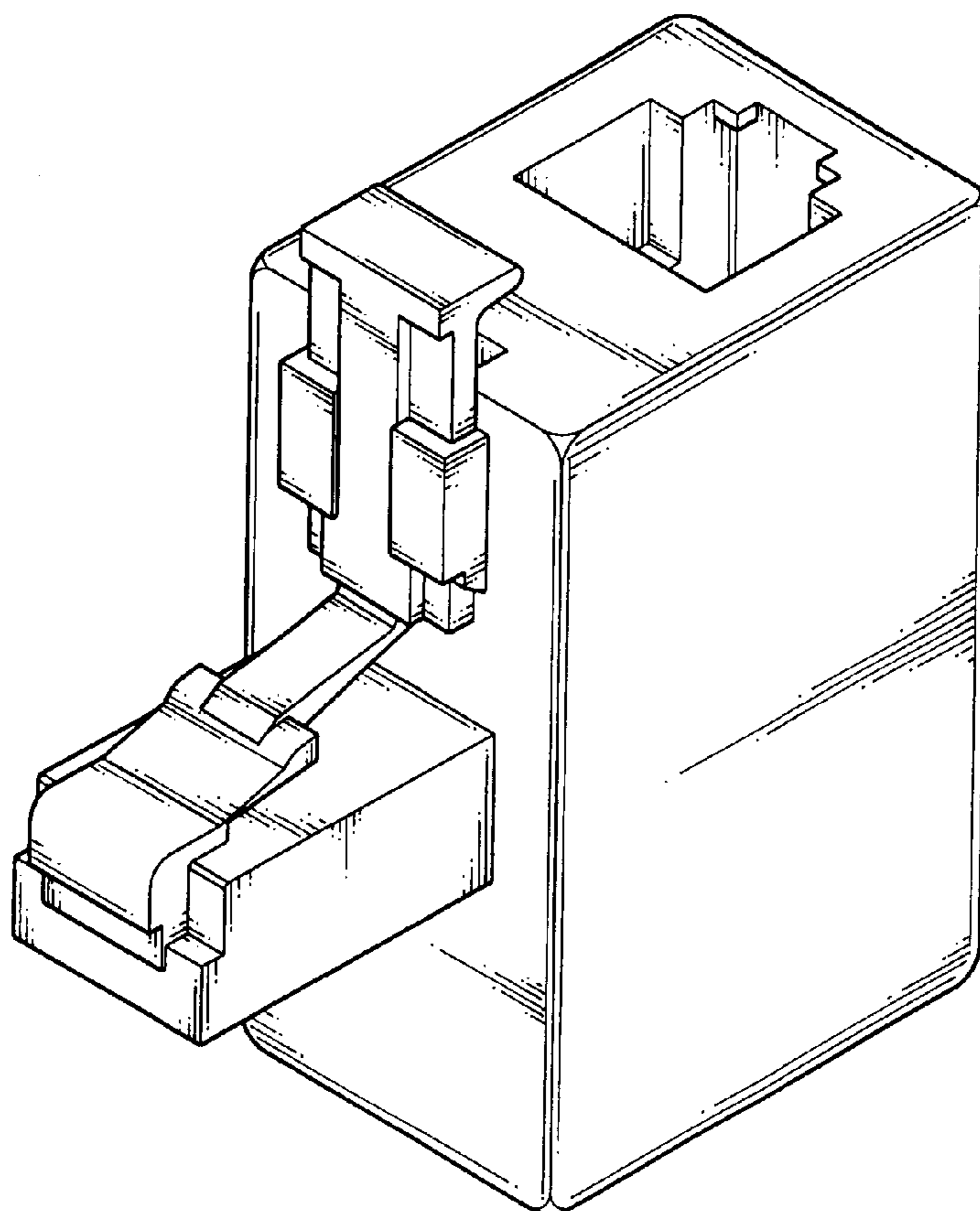
(56) **References Cited**

FIG. 1 is a perspective view of a telephone line connector, showing my new design;  
FIG. 2 is a front elevational view thereof;  
FIG. 3 is a rear elevational view thereof;  
FIG. 4 is a left elevational view thereof;  
FIG. 5 is a right elevational view thereof;  
FIG. 6 is top plan view thereof; and,  
FIG. 7 is a bottom plan view thereof.

**U.S. PATENT DOCUMENTS**

4,241,974 A \* 12/1980 Hardesty ..... 439/638  
4,295,702 A \* 10/1981 Snyder ..... 439/638  
D290,249 S \* 6/1987 Knickerbocker et al. .. D13/147  
D290,457 S \* 6/1987 Clarke et al. .... D14/256  
D292,794 S \* 11/1987 Thomas et al. .... D14/256  
D298,617 S \* 11/1988 Nakajo ..... D14/256  
D311,725 S \* 10/1990 Tanaka et al. .... D13/147  
D313,970 S \* 1/1991 Reeves ..... D13/147

**1 Claim, 4 Drawing Sheets**



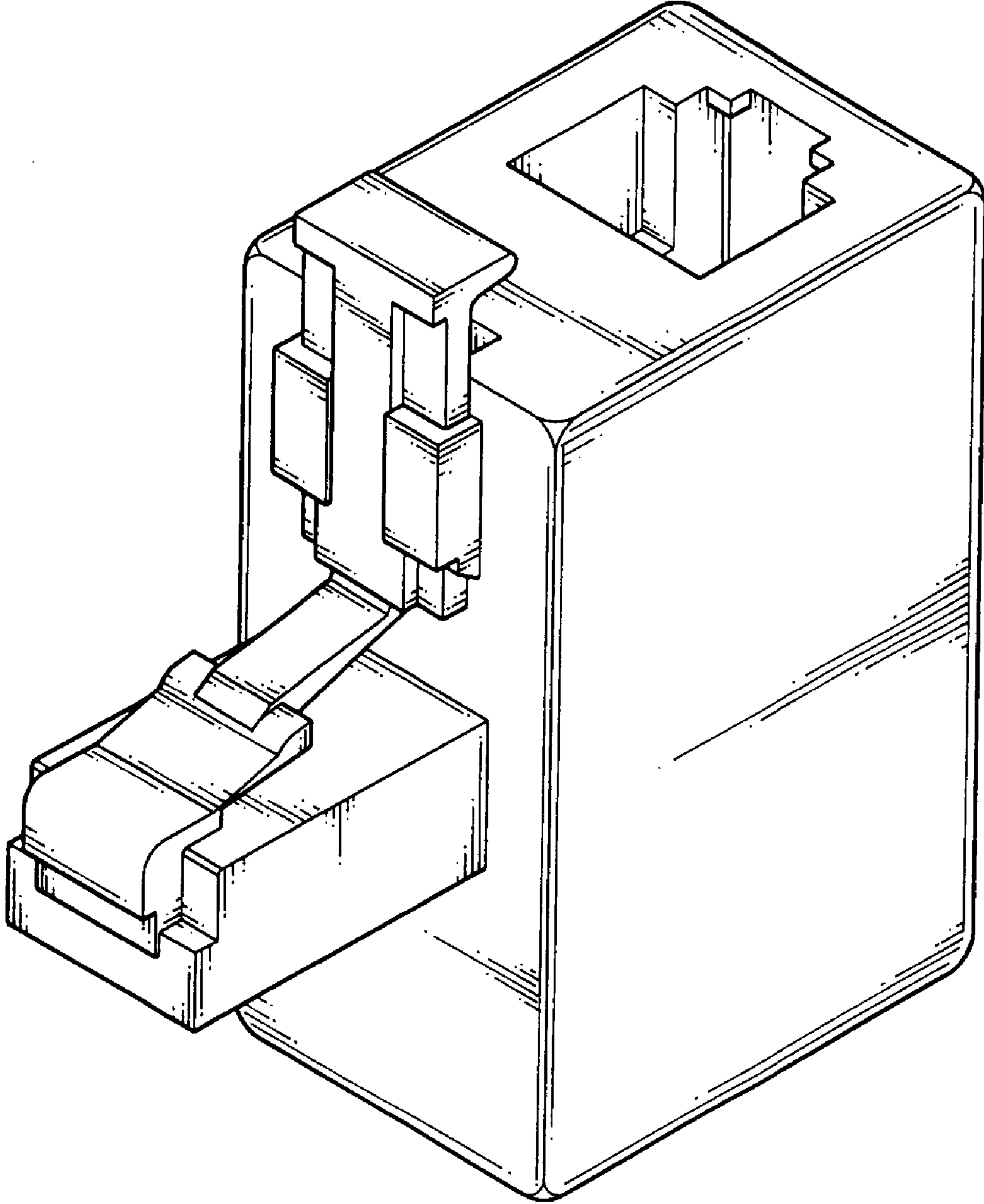


FIG. 1

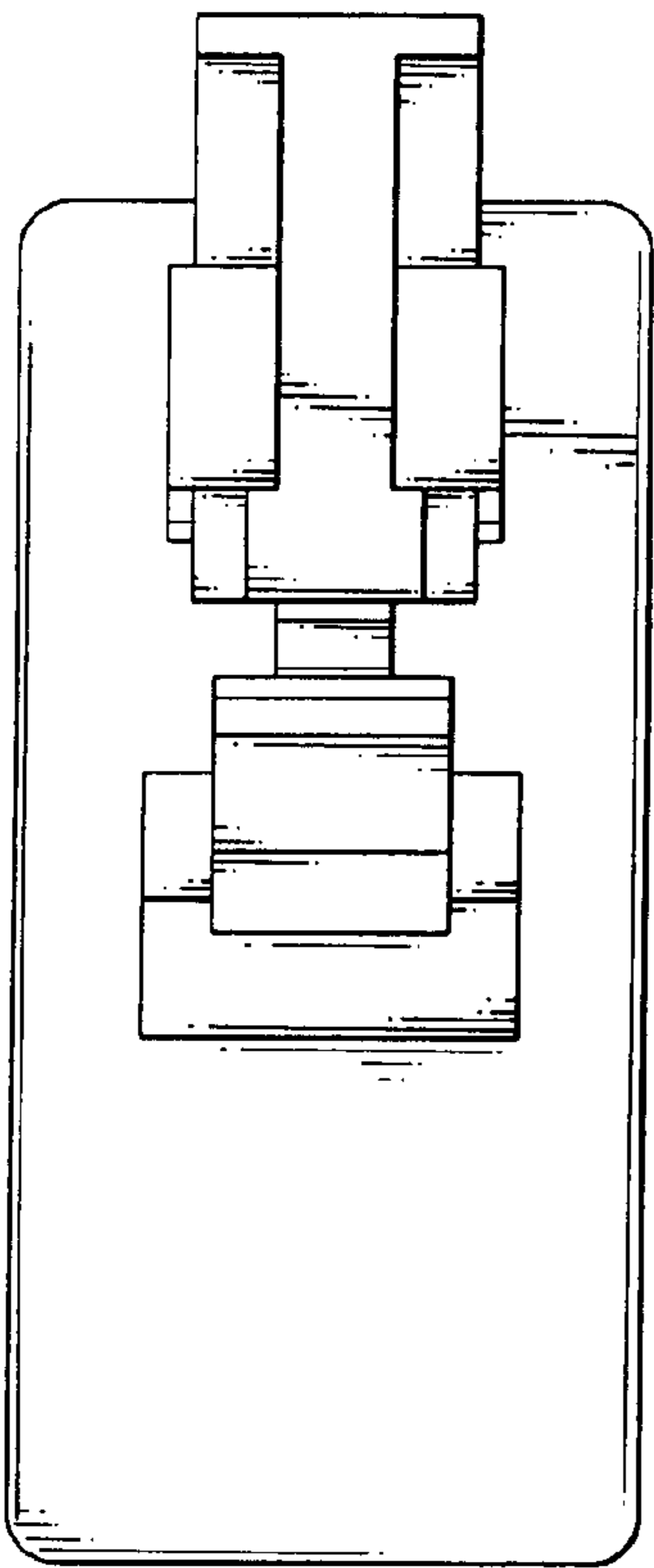


FIG. 2

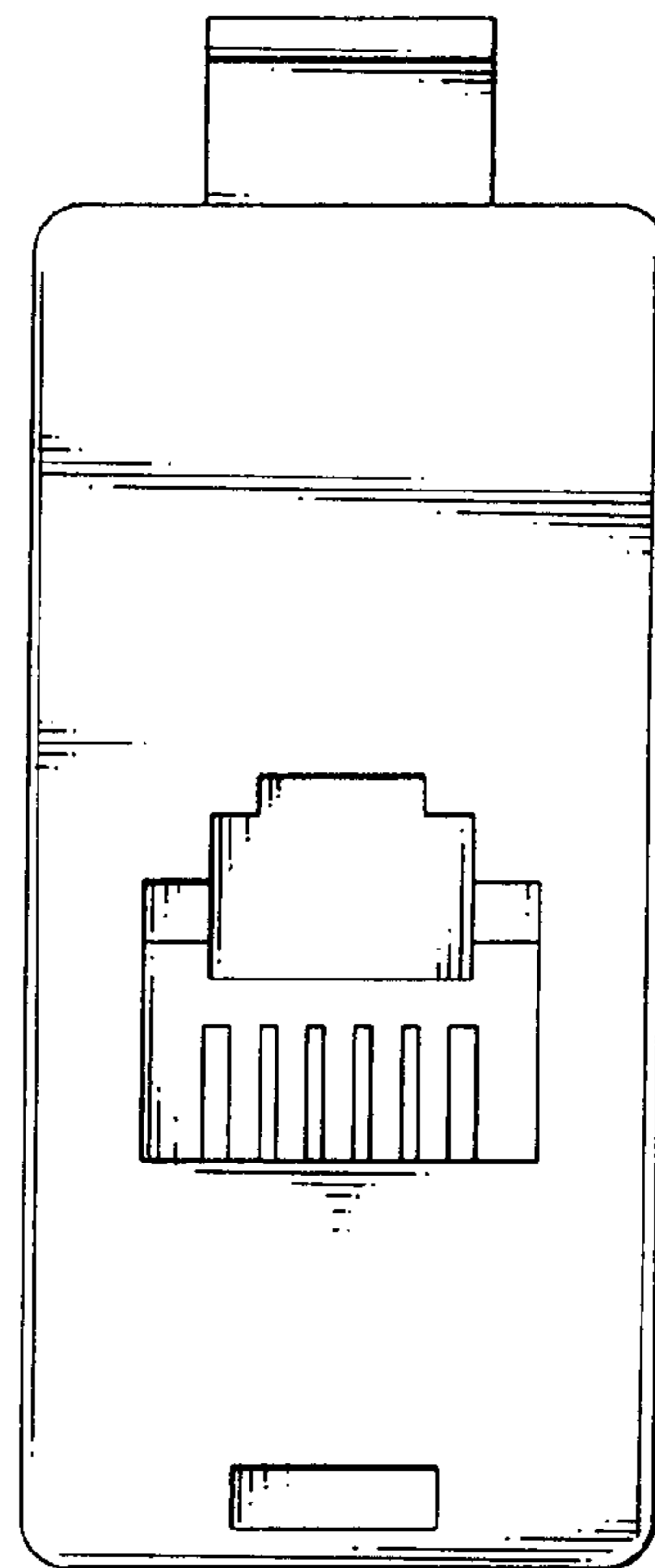


FIG. 3

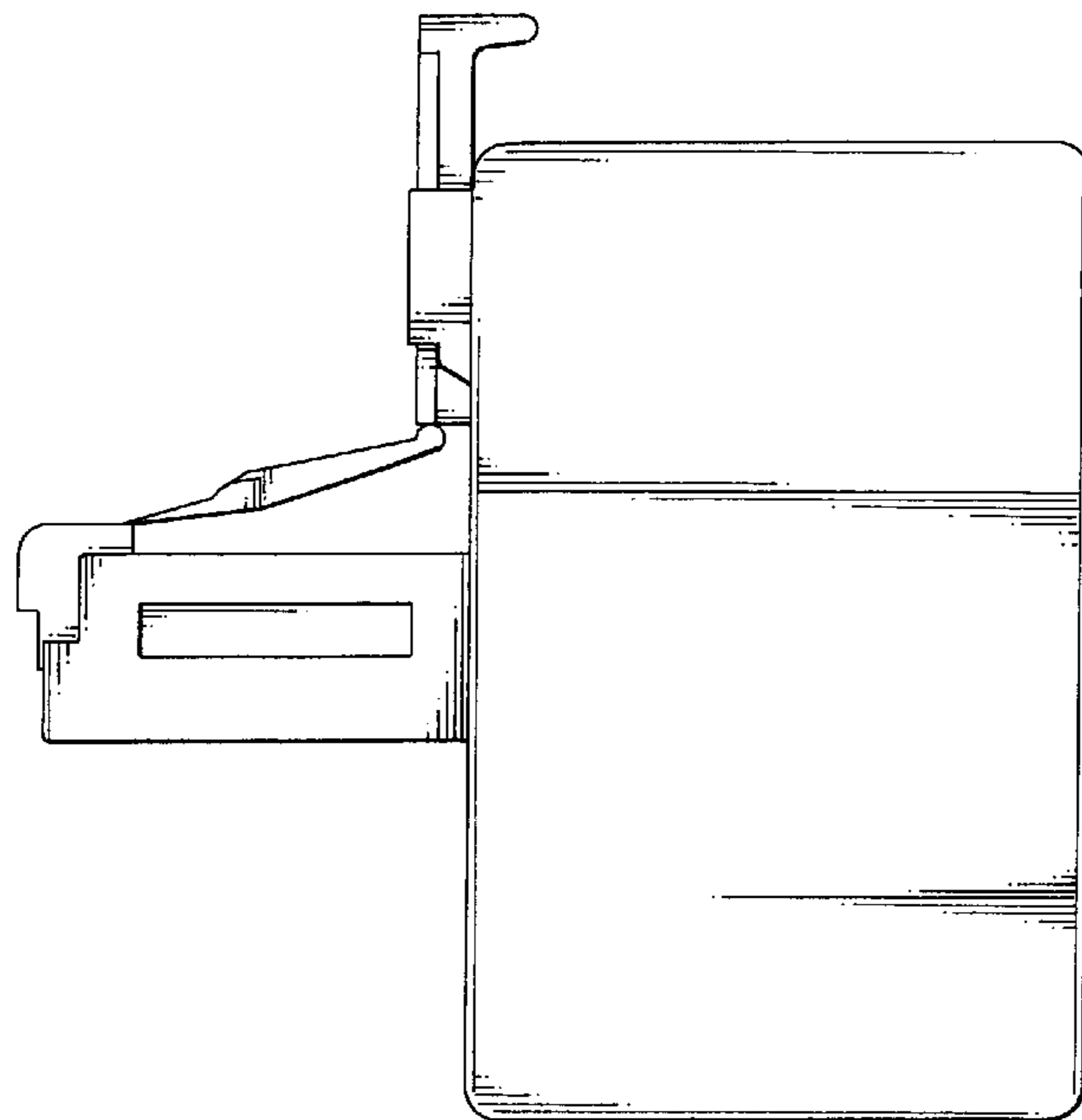


FIG. 5

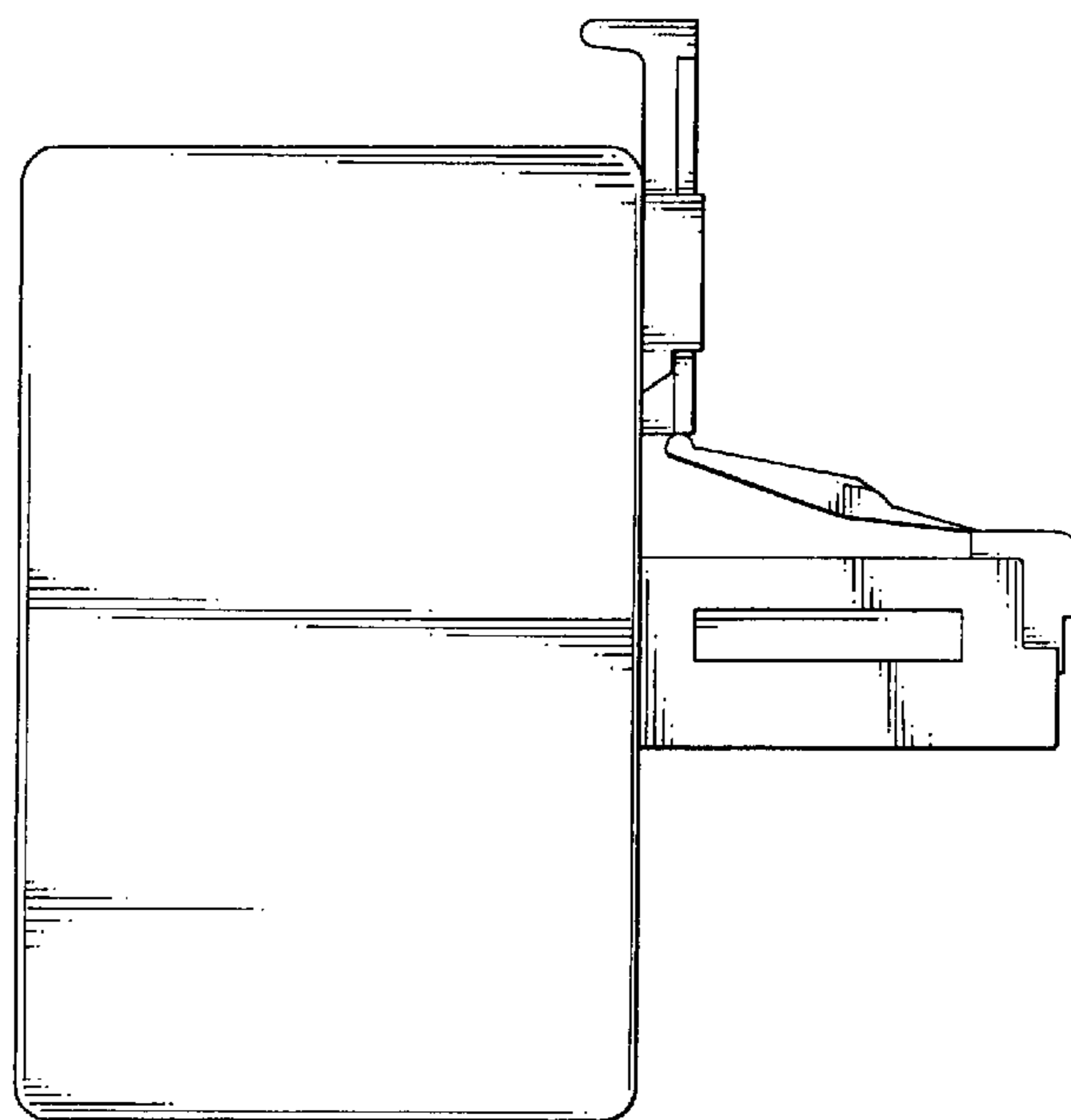


FIG. 4

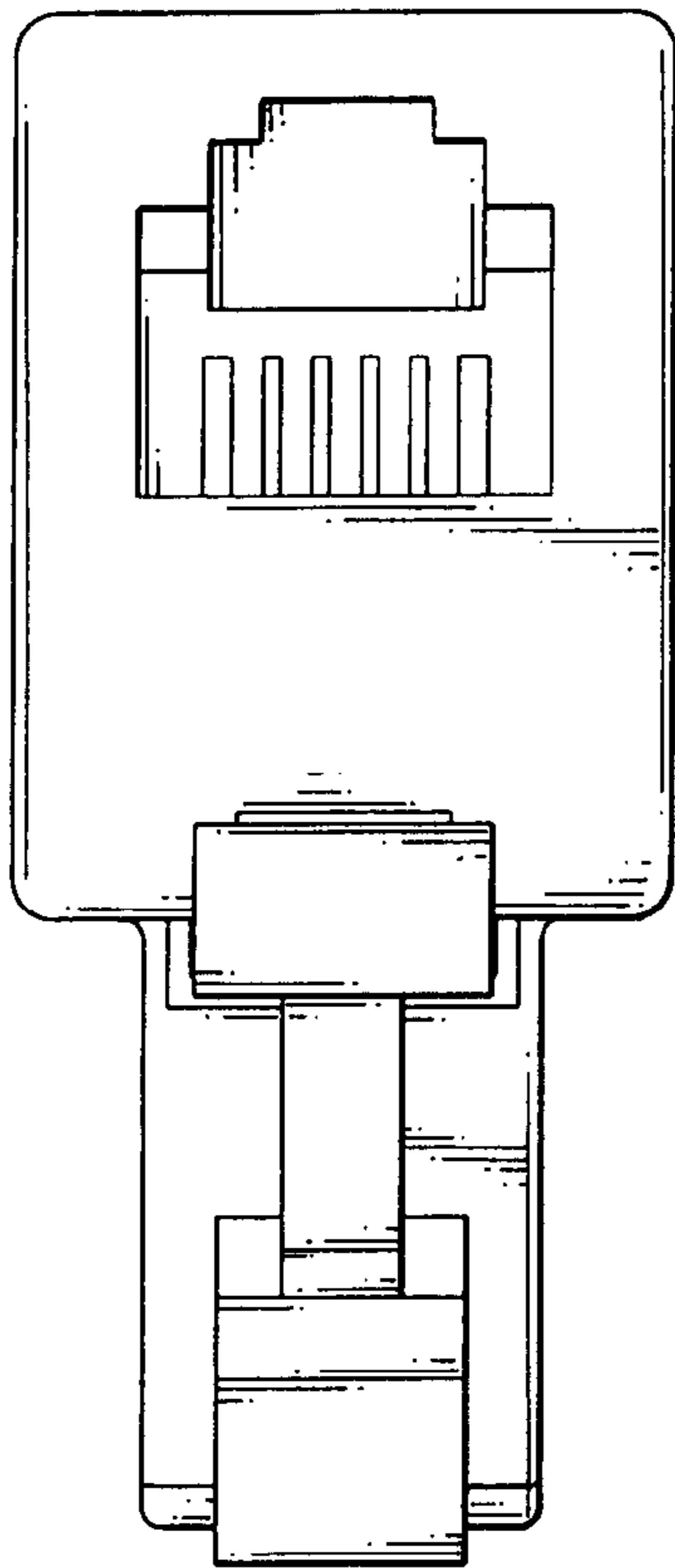


FIG. 6

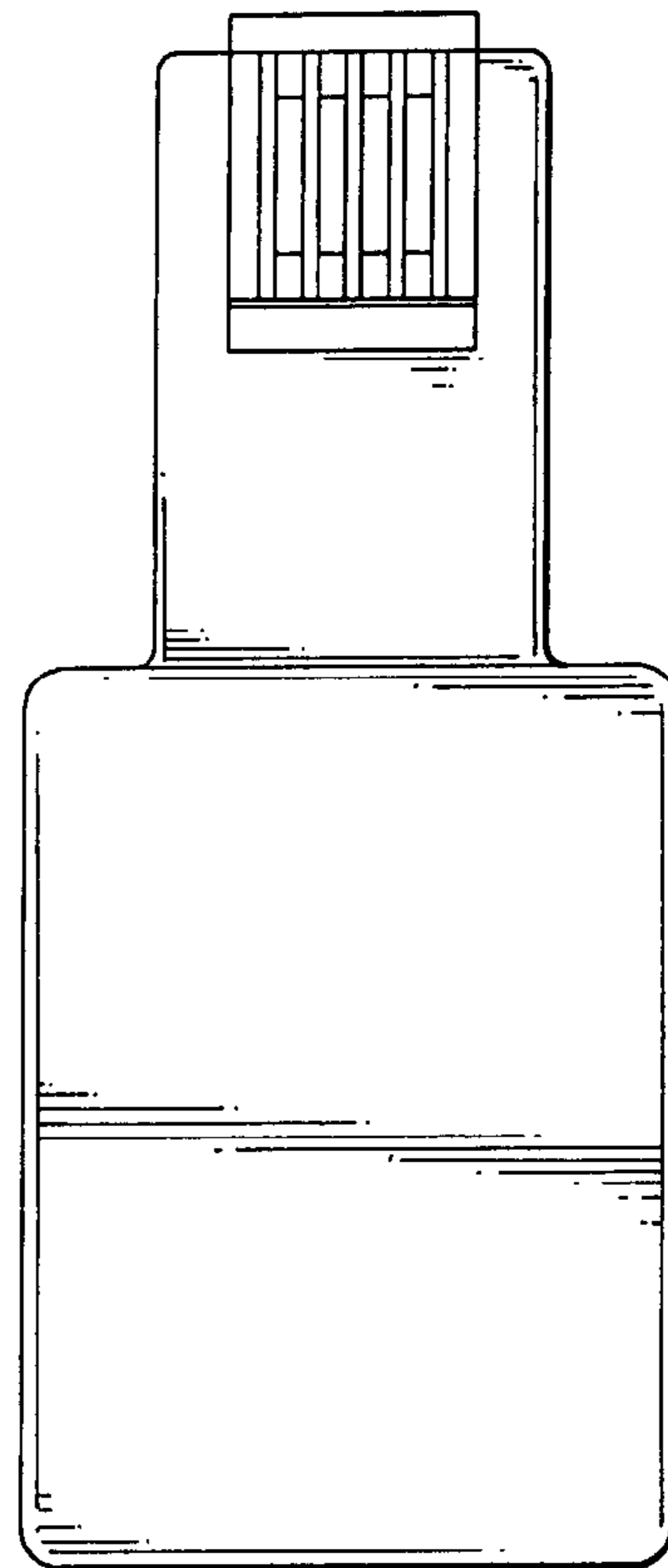


FIG. 7