

US00D493165S1

(12) **United States Design Patent** (10) **Patent No.:** **US D493,165 S**
Kiple et al. (45) **Date of Patent:** **** Jul. 20, 2004**

(54) **CABLE MODEM**

(75) Inventors: **Jean Kiple**, Lake Villa, IL (US);
Clifford Krapfl, Chicago, IL (US)

(73) Assignee: **Arris International, Inc.**, Suwanee, GA (US)

(**) Term: **14 Years**

(21) Appl. No.: **29/172,071**
(22) Filed: **Dec. 5, 2002**

(51) **LOC (7) Cl.** **14-03**
(52) **U.S. Cl.** **D14/242**
(58) **Field of Search** D14/240, 242,
D14/353, 140, 358; 379/333-337, 730,
826, 828, 387.01, 399.01, 399.02, 413.029,
413.04, 419, 420, 67.1; 455/19; 361/728,
730, 600, 622

(56) **References Cited**
U.S. PATENT DOCUMENTS

D351,601 S	*	10/1994	Rak	D14/242
D354,500 S	*	1/1995	Georgopoulos	D14/242
D416,562 S		11/1999	Larson et al.		
D417,223 S	*	11/1999	Groves et al.	D14/242
D471,543 S	*	3/2003	Yang et al.	D14/240
D478,070 S	*	8/2003	Nagai et al.	D14/240

FOREIGN PATENT DOCUMENTS

GB	2053889	*	5/1996		
GB	2105278	*	10/2001		
WO	DM/048705	*	6/1999	14/3
WO	DM/056218	*	5/2001	14/3

* cited by examiner

Primary Examiner—Charles A. Rademaker
(74) *Attorney, Agent, or Firm*—John L. Doughty

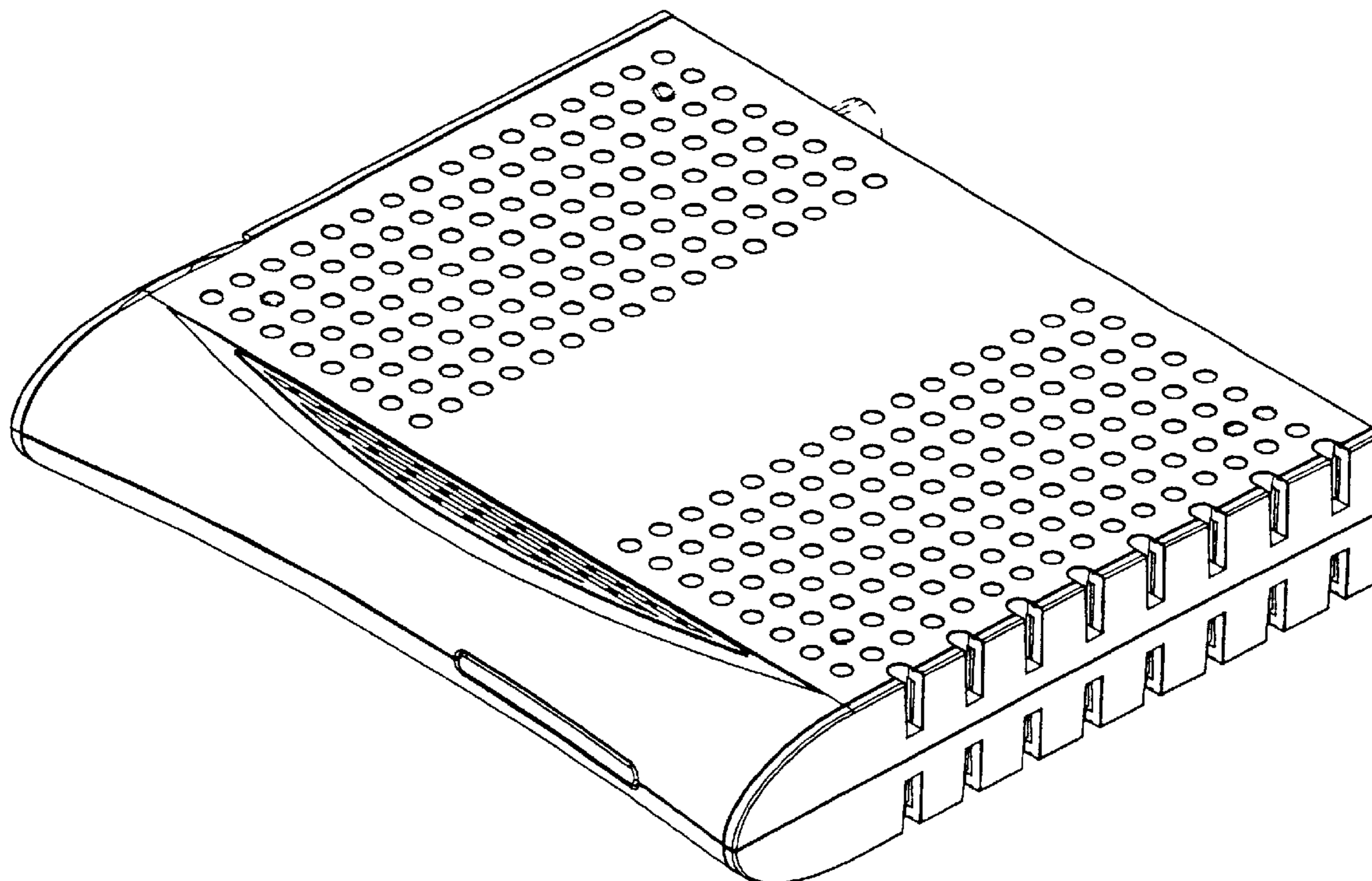
(57) **CLAIM**

The ornamental design for a cable modem, as shown and described.

DESCRIPTION

FIG. 1 is a perspective view of a cable modem showing our new design;
FIG. 2 is a top plan view thereof;
FIG. 3 is a left side elevation view thereof;
FIG. 4 is a right side elevation view thereof;
FIG. 5 is a rear elevation view thereof;
FIG. 6 is a bottom plan view thereof; and,
FIG. 7 is a front elevation view thereof.
The broken lines shown in the drawings represent environment only.

1 Claim, 7 Drawing Sheets



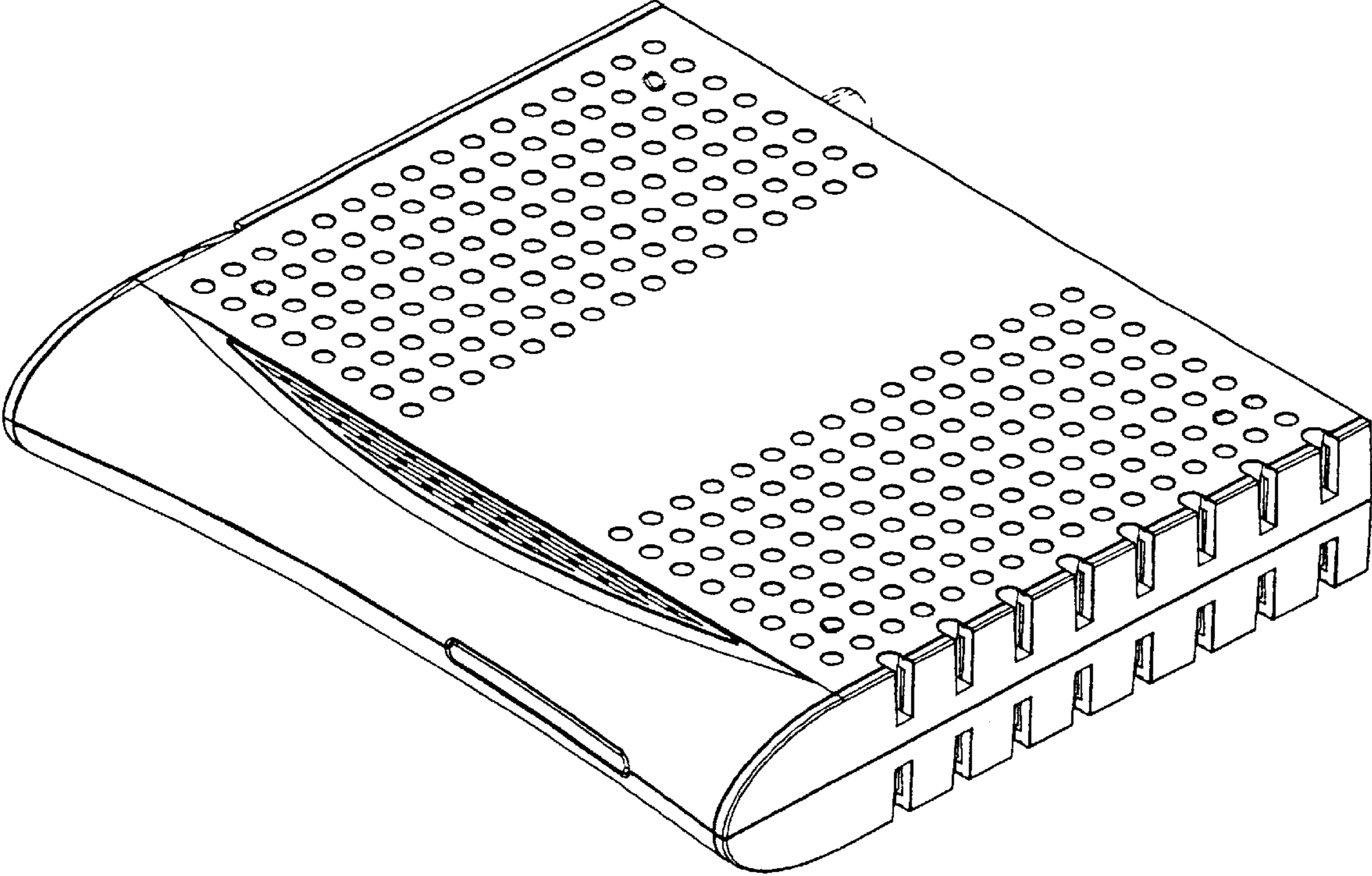


FIG. 1

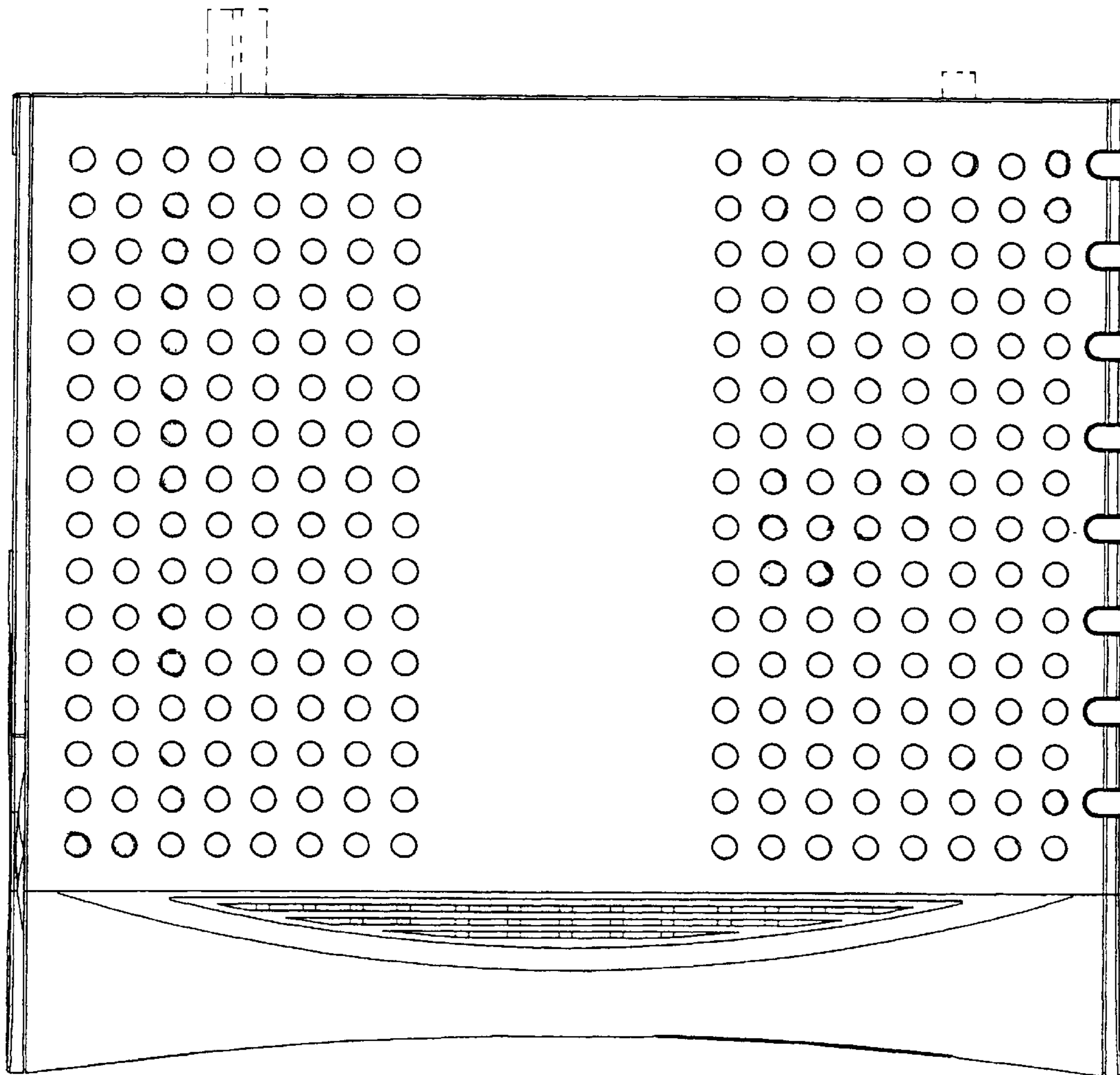


FIG. 2

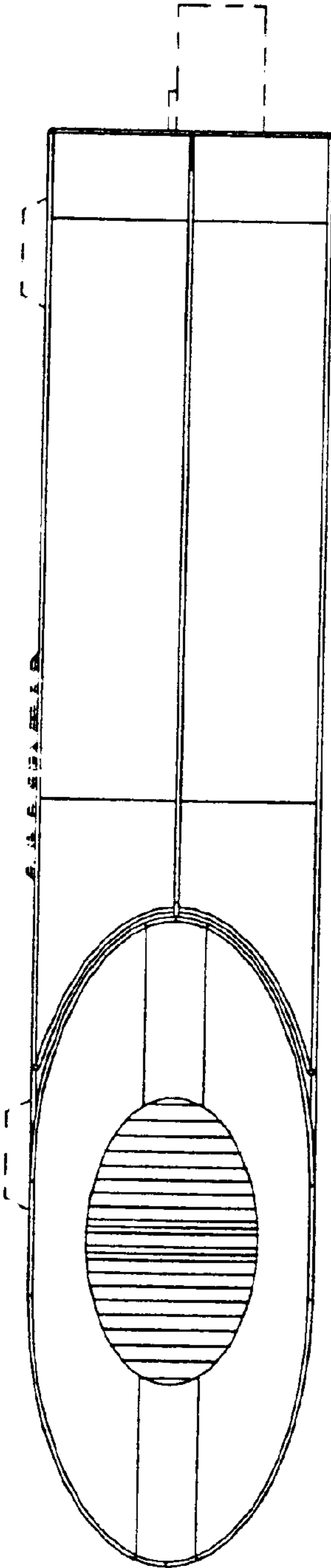


FIG. 3

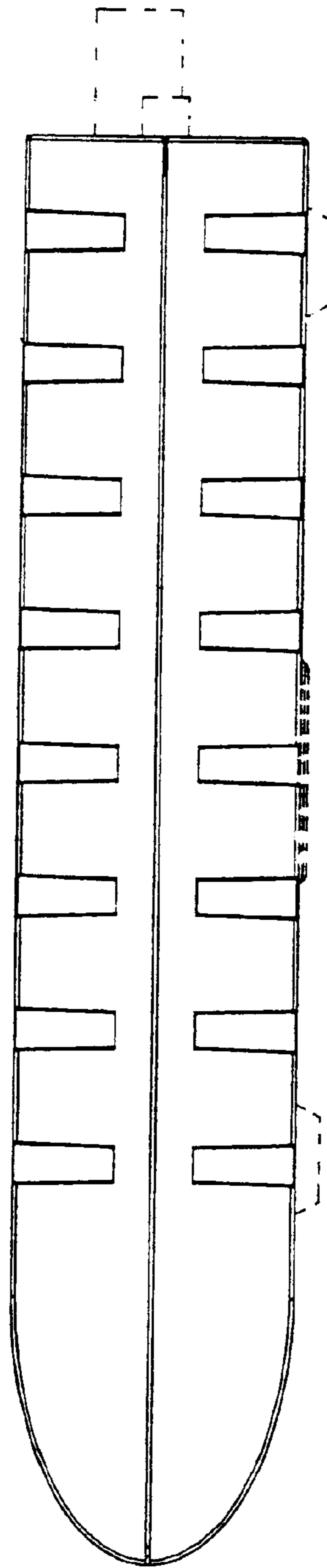


FIG. 4

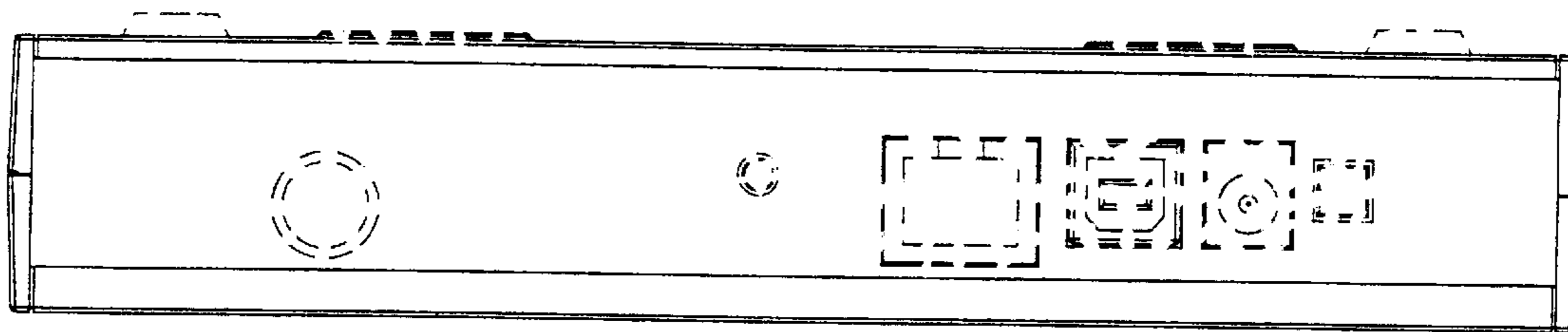


FIG. 5

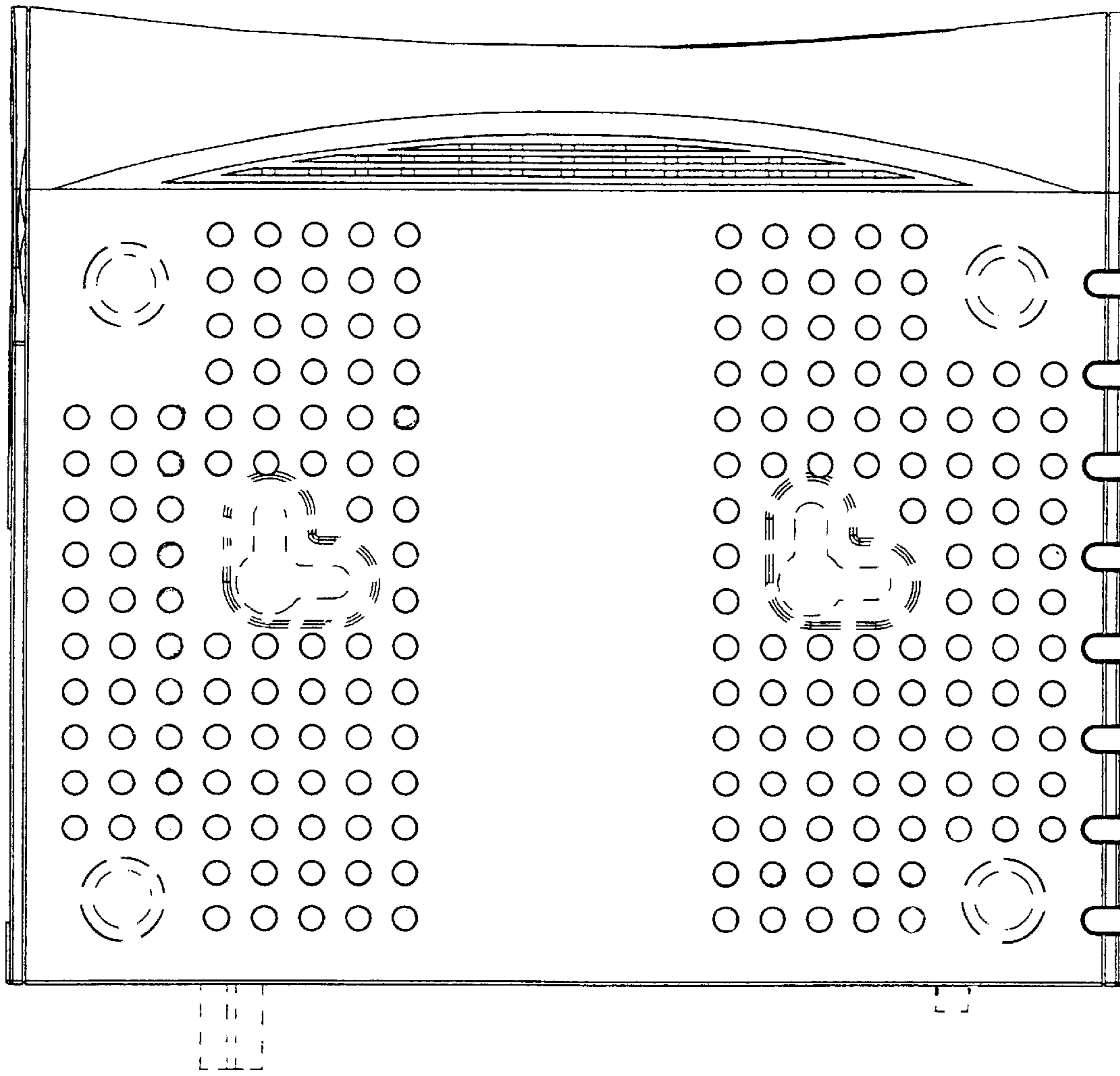


FIG. 6

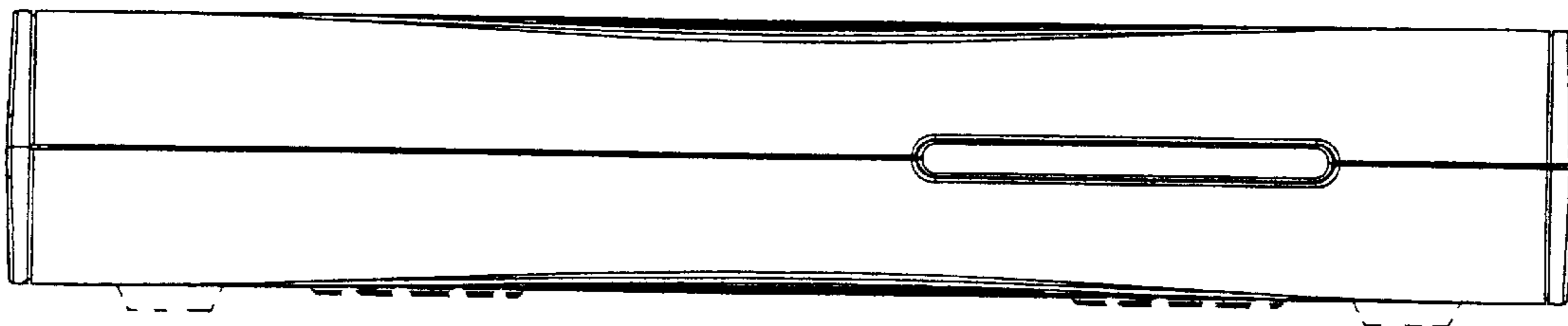


FIG. 7