



US00D493163S1

(12) **United States Design Patent**
Kay

(10) **Patent No.:** **US D493,163 S**

(45) **Date of Patent:** **** Jul. 20, 2004**

(54) **BASEBALL HEADPHONE**

(75) **Inventor:** **Neil J. Kay**, Rolling Hills Estates, CA (US)

(73) **Assignee:** **Cisco Sales Corporation**, Torrance, CA (US)

(**) **Term:** **14 Years**

(21) **Appl. No.:** **29/180,337**

(22) **Filed:** **Apr. 23, 2003**

(51) **LOC (7) Cl.** **14-01**

(52) **U.S. Cl.** **D14/223; D14/205**

(58) **Field of Search** D14/192, 205, D14/206, 223; D29/112; 181/129, 130, 137; 379/430, 431, 433; 381/381, 158, 183, 187

(56) **References Cited**

U.S. PATENT DOCUMENTS

D324,523 S * 3/1992 Hughes et al. D14/205
D358,389 S * 5/1995 Isono D14/205

D371,639 S * 7/1996 Schmitt D29/112
D411,200 S * 6/1999 Almquist D14/205 X

* cited by examiner

Primary Examiner—Paula A. Mortimer

(74) *Attorney, Agent, or Firm*—Irving Keschner

(57) **CLAIM**

The ornamental design for a baseball headphone, as shown.

DESCRIPTION

FIG. 1 is a front view of the ornamental design of the present invention;

FIG. 2 is a bottom view of the ornamental design of the present invention;

FIG. 3 is a rear view of the ornamental design of the present invention;

FIG. 4 is a top view of the ornamental design of the present invention;

FIG. 5 is a left side view of the ornamental design of the present invention; and,

FIG. 6 is a right side view of the ornamental design of the present invention.

1 Claim, 3 Drawing Sheets

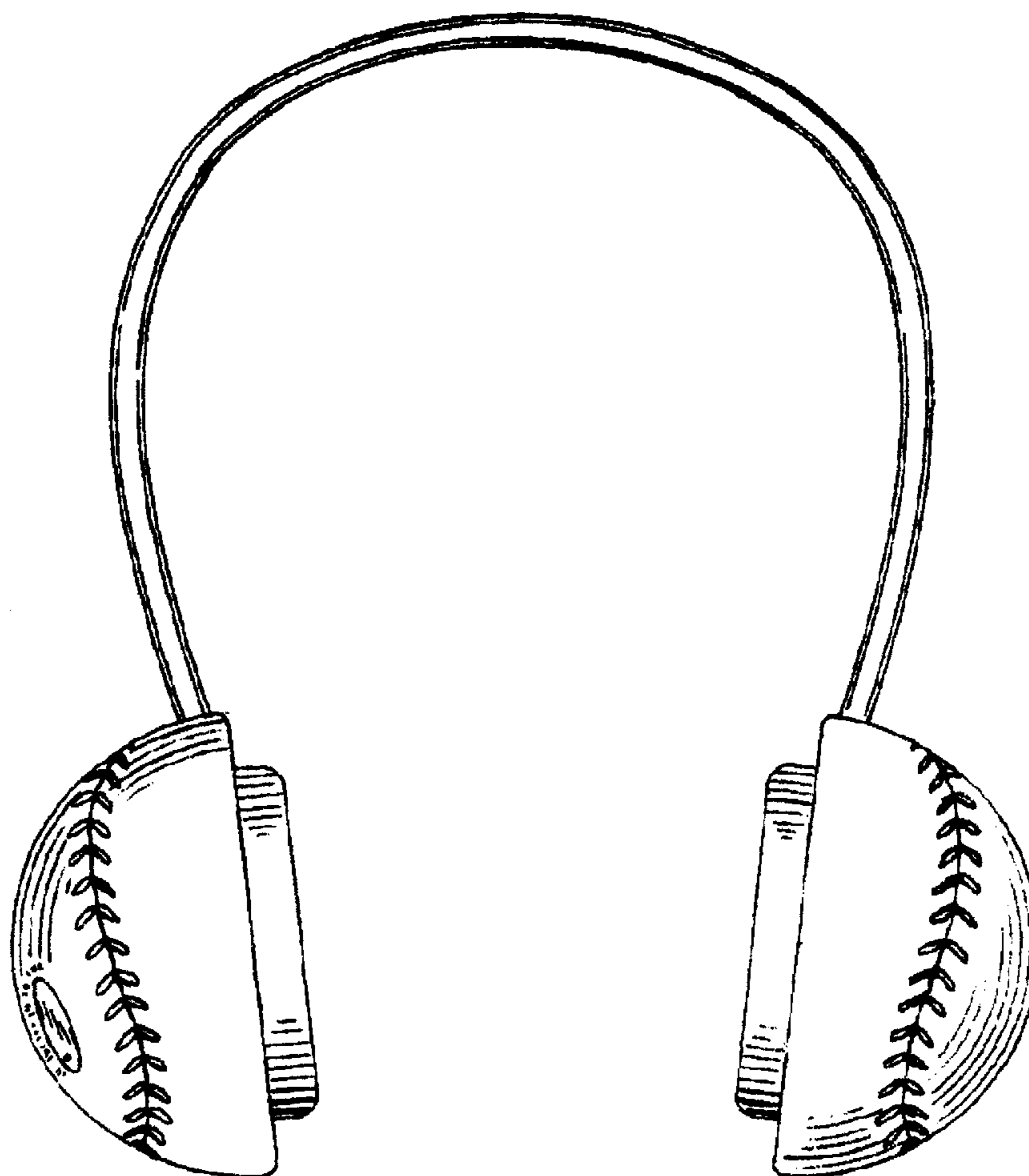


FIG. 1

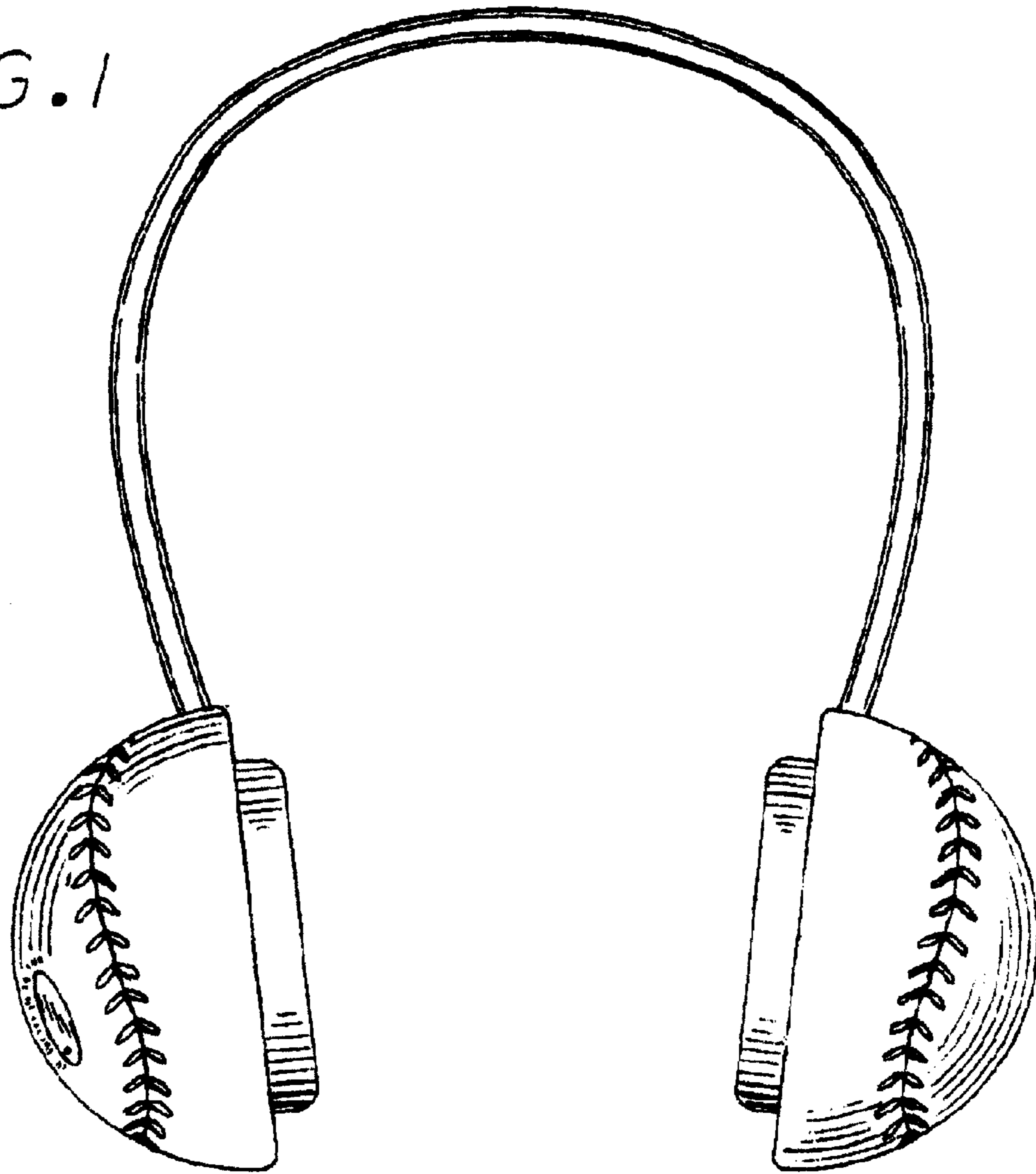


FIG. 2

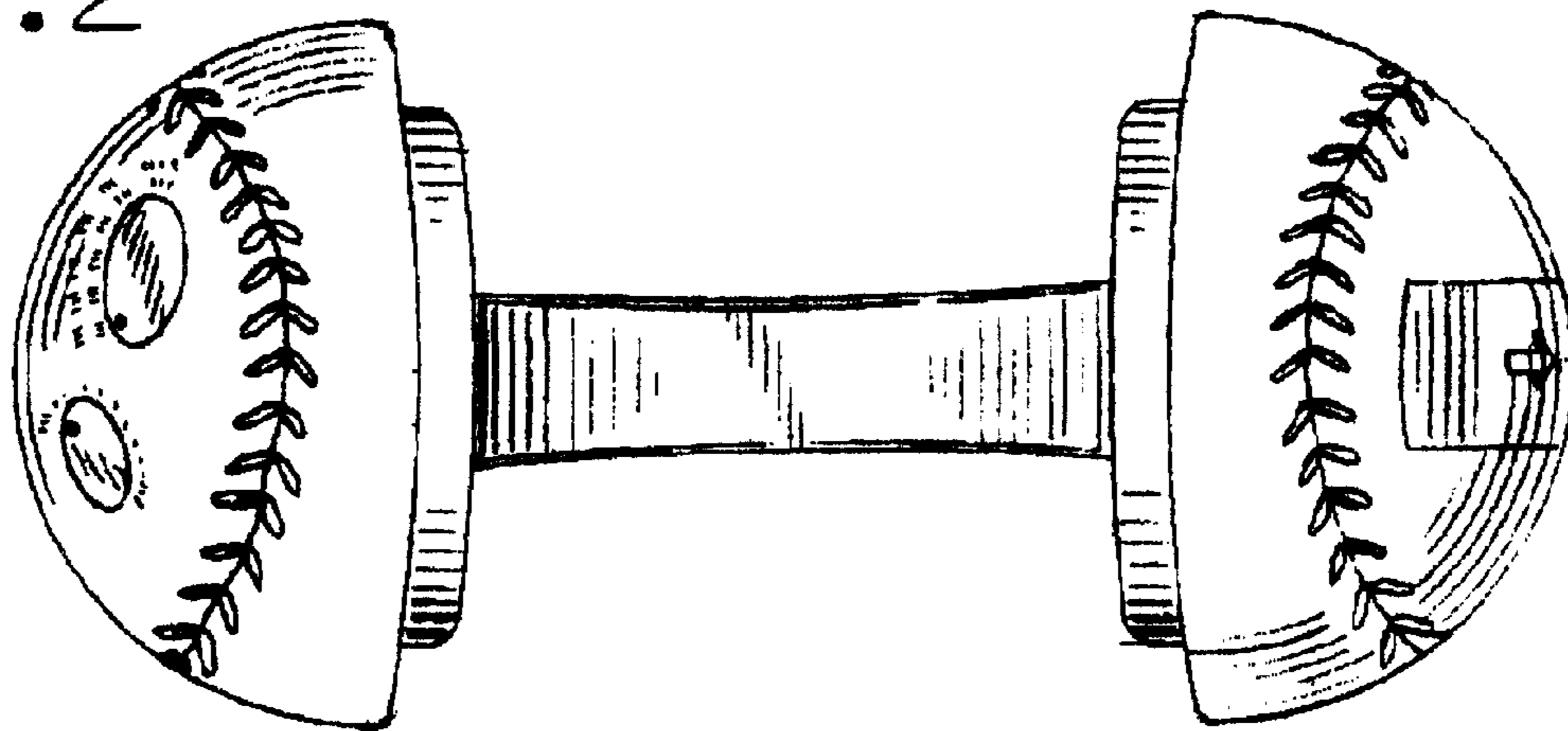
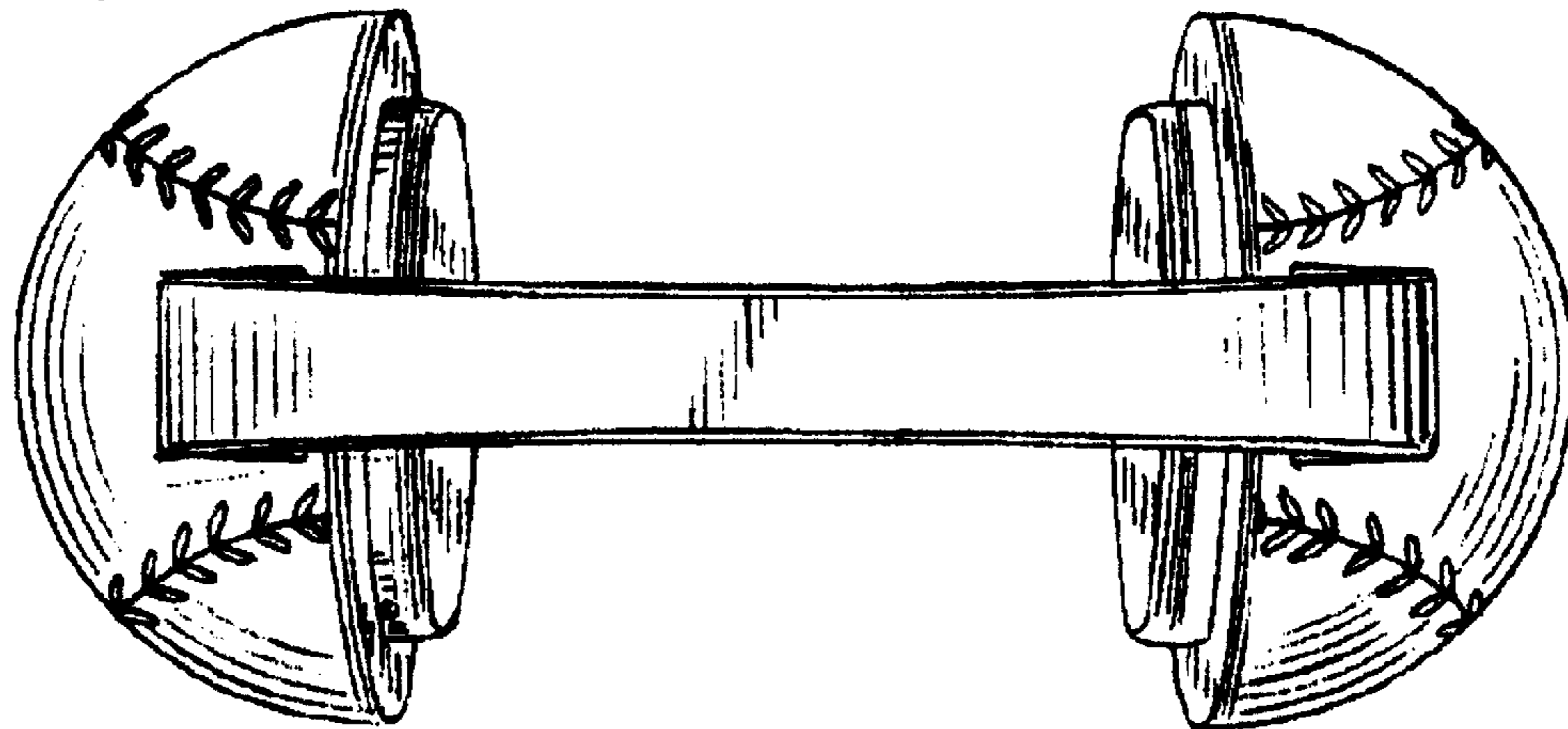


FIG. 3



FIG. 4



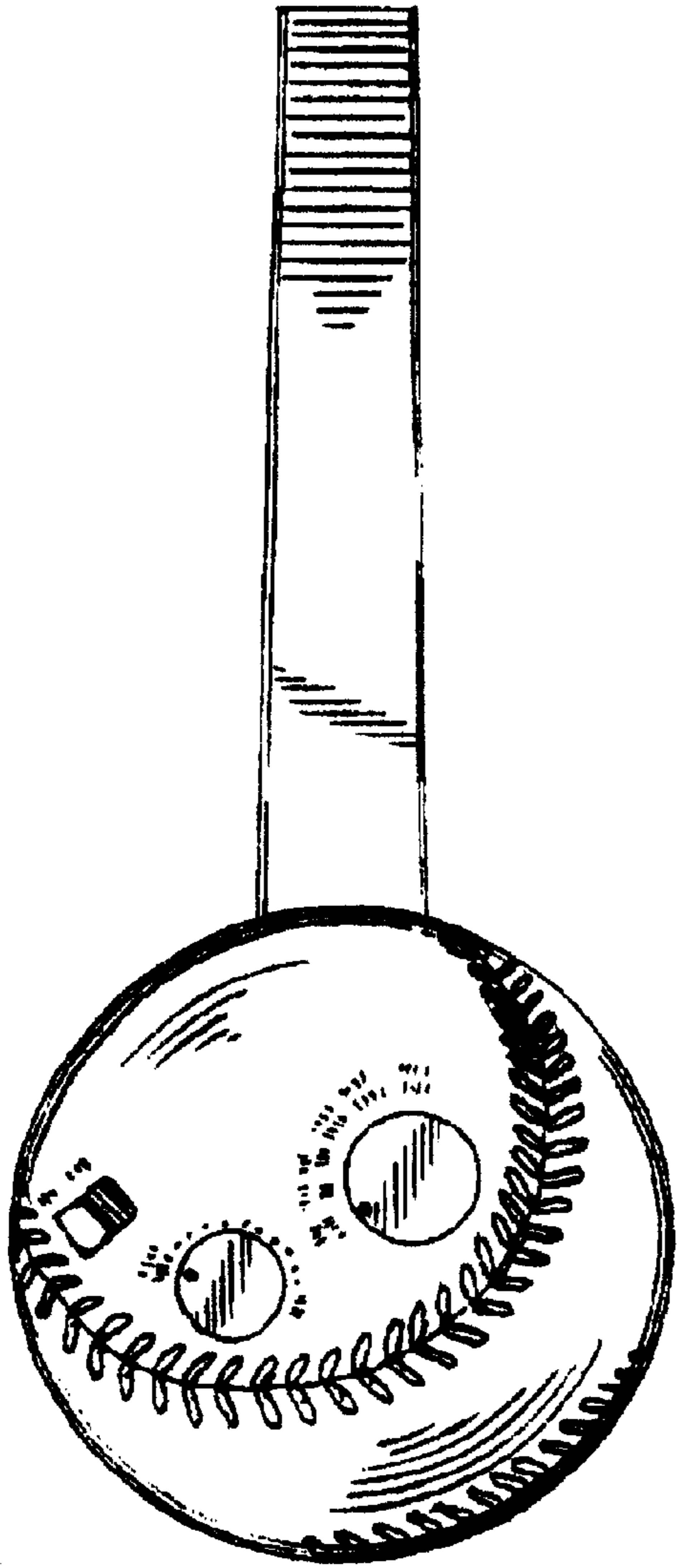


FIG. 5

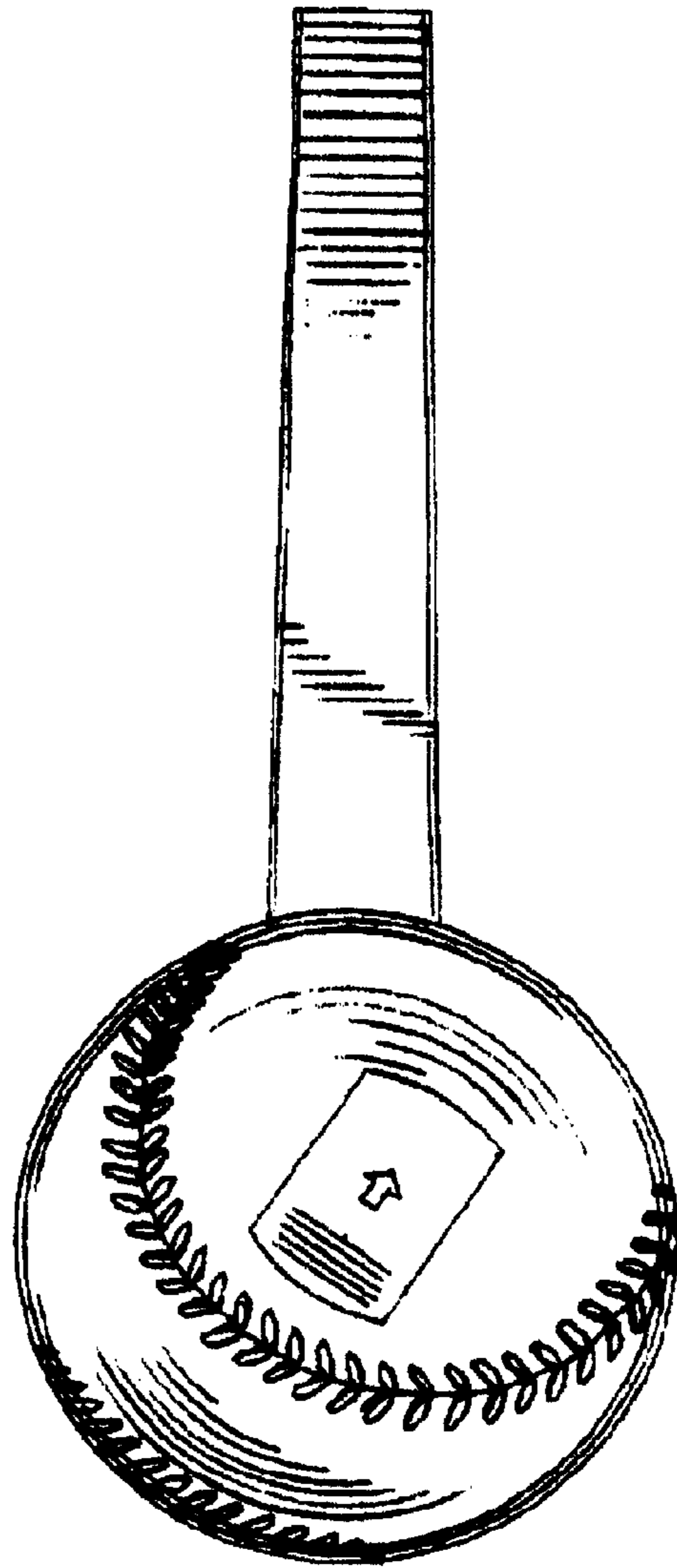


FIG. 6