

US00D493155S1

(12) **United States Design Patent** (10) **Patent No.:** **US D493,155 S**
Robertson, Jr. et al. (45) **Date of Patent:** **** Jul. 20, 2004**

(54) **PORTABLE COMMUNICATION DEVICE**

(75) Inventors: **William H. Robertson, Jr.**, Ft. Lauderdale, FL (US); **Matthew M. Julian**, Deerfield Beach, FL (US); **Craig F Siddoway**, Davie, FL (US)

(73) Assignee: **Motorola Inc.**, Schaumburg, IL (US)

(**) Term: **14 Years**

(21) Appl. No.: **29/174,288**

(22) Filed: **Jan. 15, 2003**

(51) **LOC (7) Cl.** **14-03**

(52) **U.S. Cl.** **D14/137**

(58) **Field of Search** D14/137, 138, D14/218, 147-149, 247-249, 144, 240, 242, 341-347, 399, 426, 387, 429, 453, 197, 198, 189, 192, 193, 157, 194, 195, 196, 158; 379/433.01-433.13, 434, 419, 420.01-420.04, 428.01-428.02, 440; 455/550.01-90.3; D13/168; D18/2, 7; D21/517, 329, 331, 333; D10/104, 106, 65; 381/86

(56) **References Cited**

U.S. PATENT DOCUMENTS

D251,910 S	*	5/1979	Taguchi	D14/194
D252,514 S	*	7/1979	Kawano et al.	D14/194
D256,122 S	*	7/1980	Culbertson	D14/137
D306,588 S	*	3/1990	Kashiwagi	D14/163
D310,523 S	*	9/1990	Hino et al.	D14/137
D319,229 S	*	8/1991	Hino et al.	D14/126
D326,451 S	*	5/1992	Roegner	D14/138
D398,923 S	*	9/1998	Tokiyama et al.	D14/137
D421,002 S	*	2/2000	Davidson et al.	D14/137

D430,126 S	*	8/2000	Lee	D14/137
D433,001 S	*	10/2000	Haase et al.	D14/137
D440,952 S	*	4/2001	Carvalho	D14/138
D446,554 S	*	8/2001	Gautieri et al.	D21/405
D451,896 S	*	12/2001	Kim	D14/137
D453,752 S	*	2/2002	Lee	D14/192
D458,595 S	*	6/2002	Yin et al.	D14/138
D467,566 S	*	12/2002	Mirabelli et al.	D14/137
D467,888 S	*	12/2002	Mirabelli et al.	D14/137
D467,889 S	*	12/2002	Cebe et al.	D14/137
D467,911 S	*	12/2002	Lee	D14/243
D470,627 S	*	2/2003	Kuo	D28/77
D481,025 S	*	10/2003	Cebe et al.	D14/137

* cited by examiner

Primary Examiner—Jeffrey Asch

(74) *Attorney, Agent, or Firm*—Randi L. Karpinia

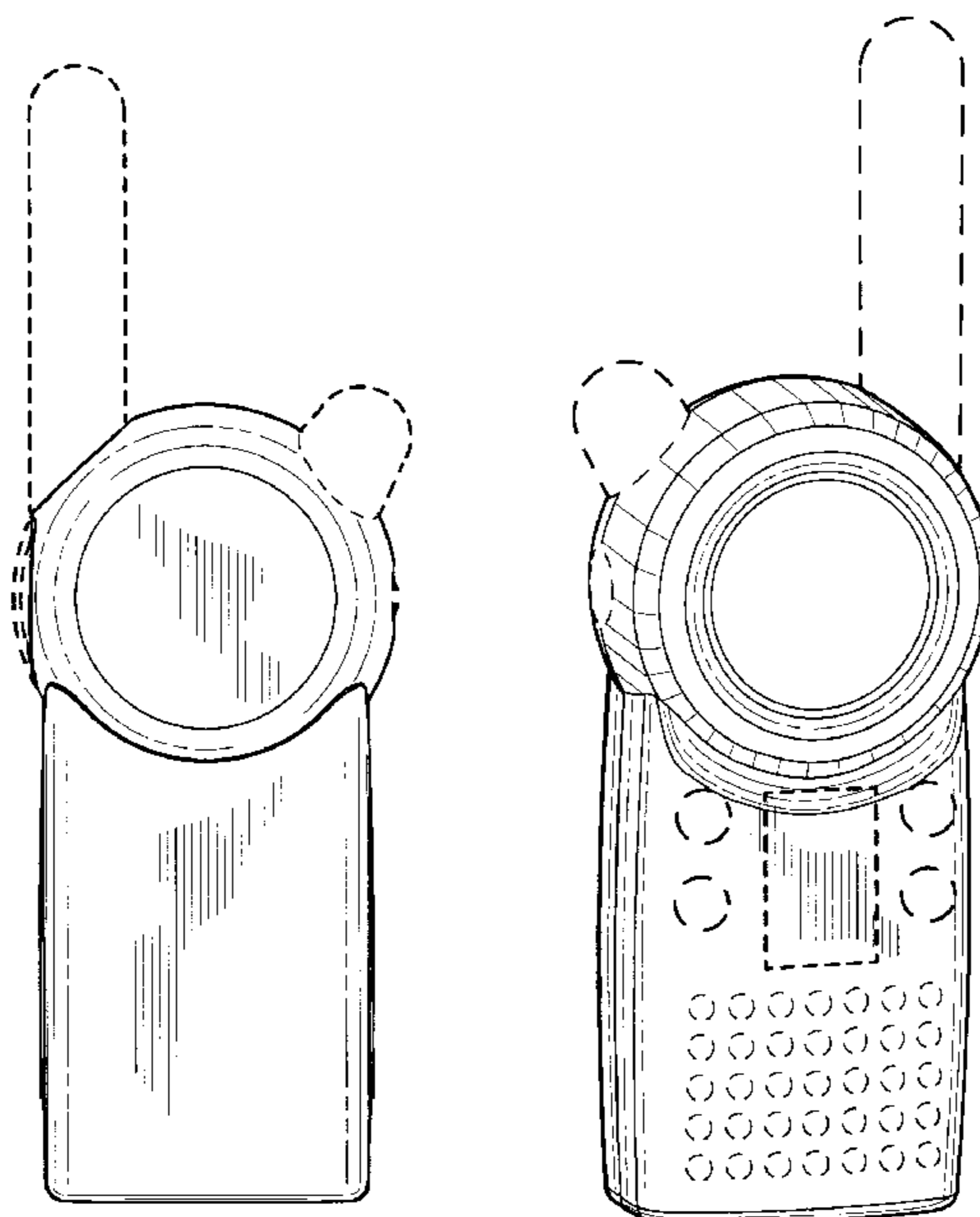
(57) **CLAIM**

The ornamental design for a portable communication device, as shown and described.

DESCRIPTION

FIG. 1 is a front orthographic view of a portable communication device showing our new design;
 FIG. 2 is a rear orthographic view thereof;
 FIG. 3 is a left side orthographic view thereof;
 FIG. 4 is a right side orthographic view thereof;
 FIG. 5 is a top orthographic view thereof;
 FIG. 6 is a bottom orthographic view thereof; and,
 FIG. 7 is a left, front perspective view thereof.
 The broken lines shown in FIGS. 1-7 are included for the purpose of illustrating environmental elements only and form no part of the claimed design.

1 Claim, 4 Drawing Sheets



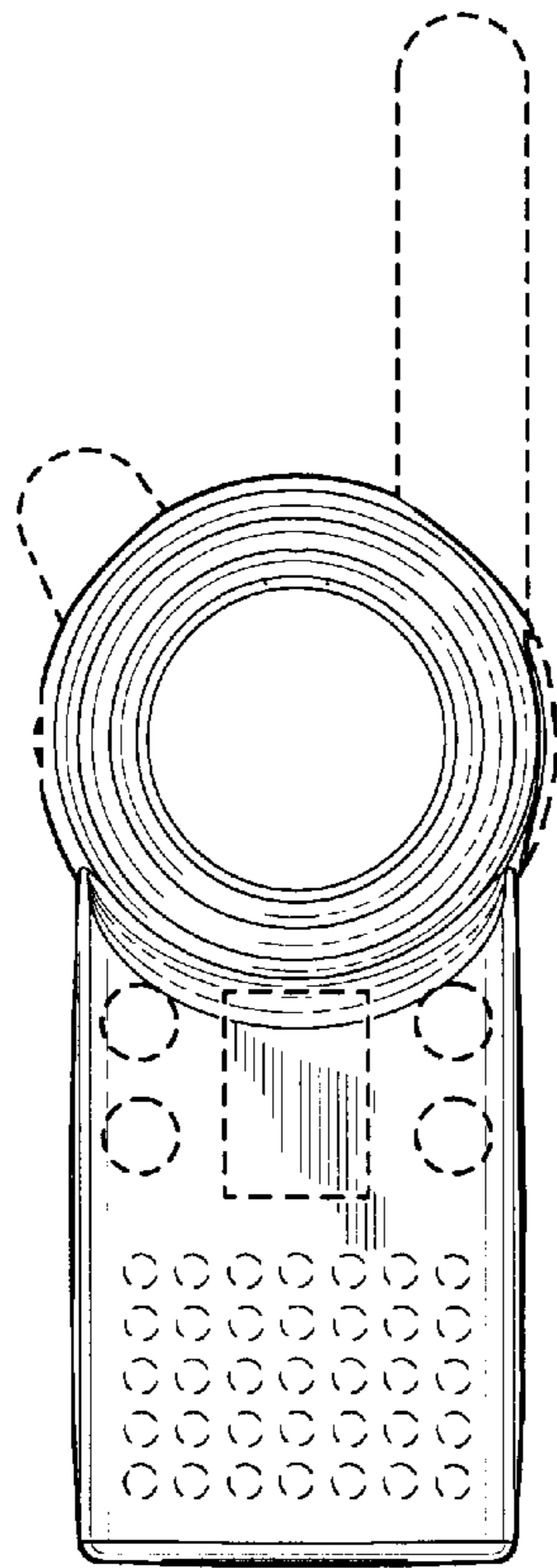


FIG. 1

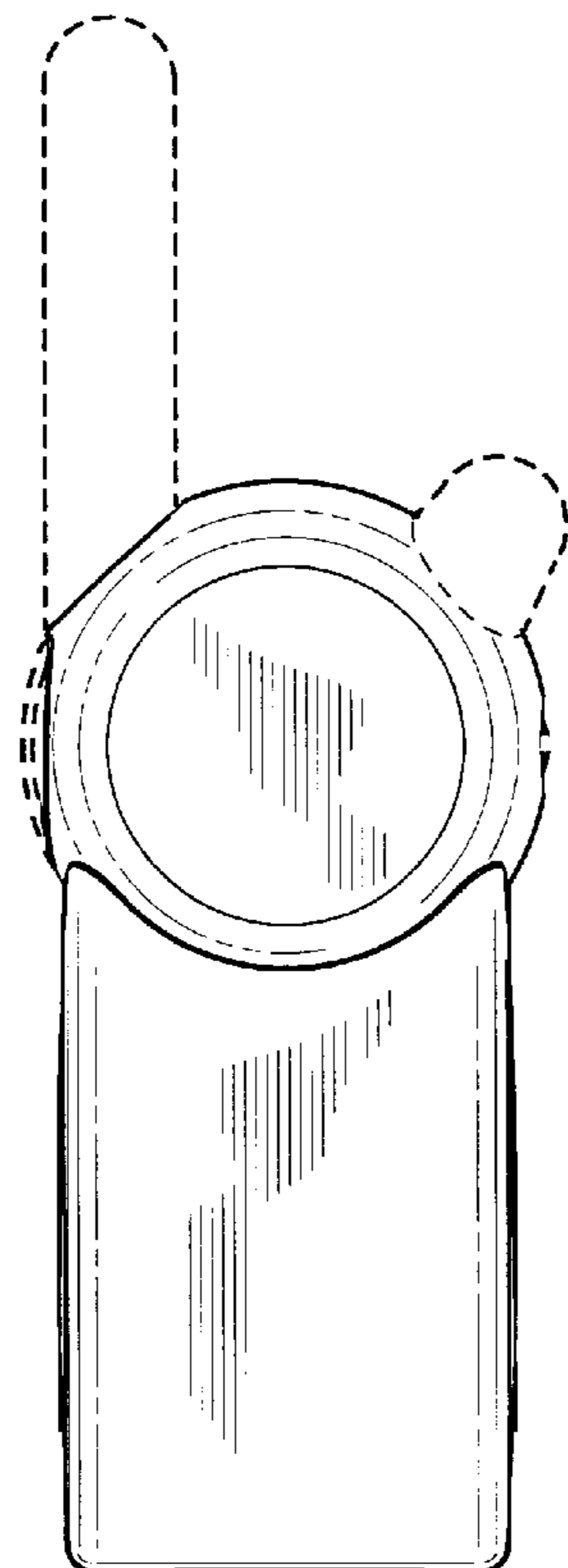


FIG. 2

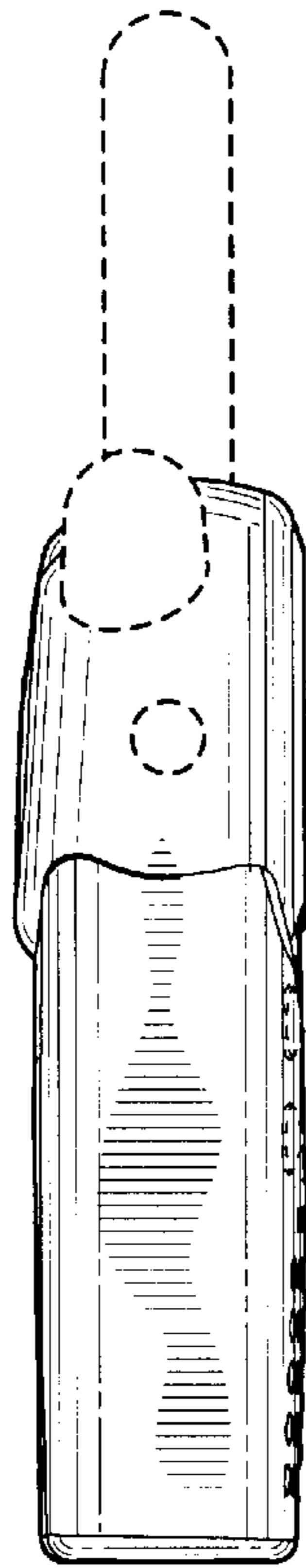


FIG. 3

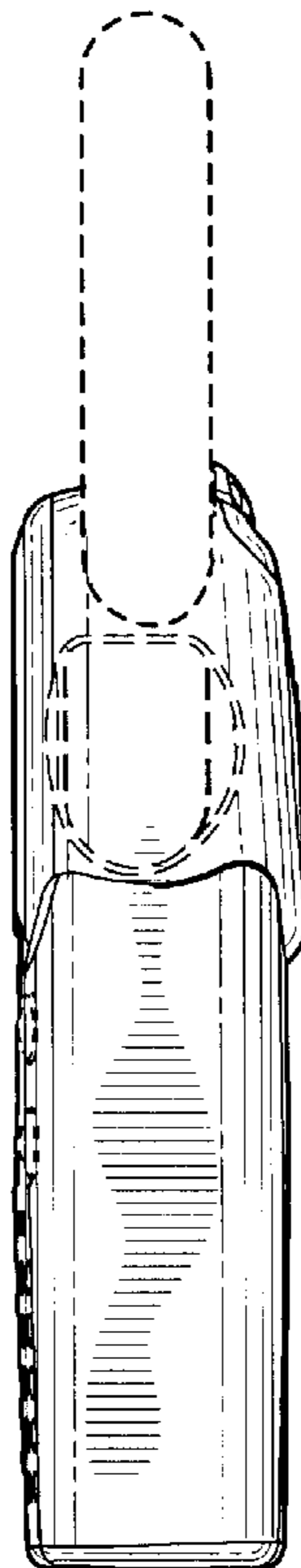


FIG. 4

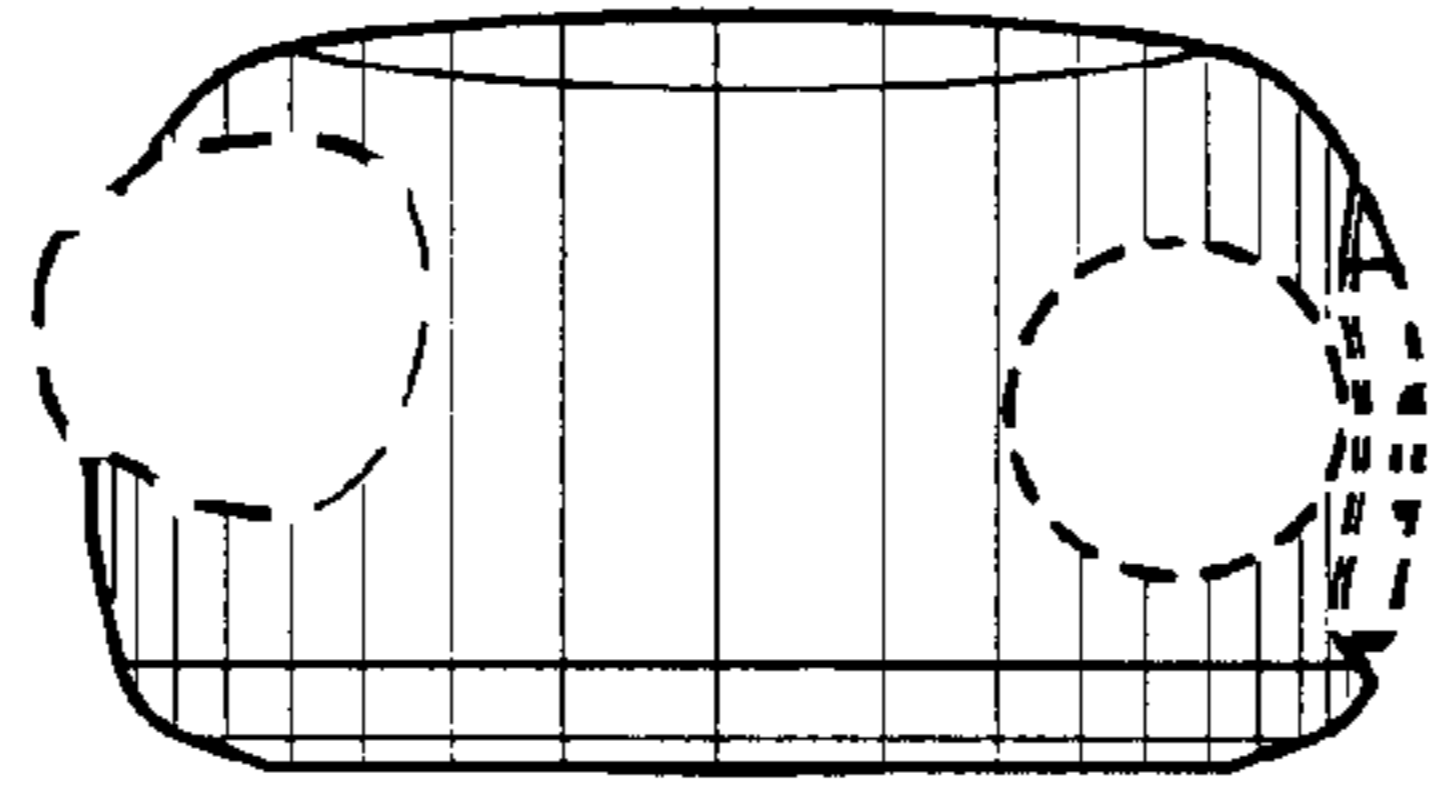


FIG. 5

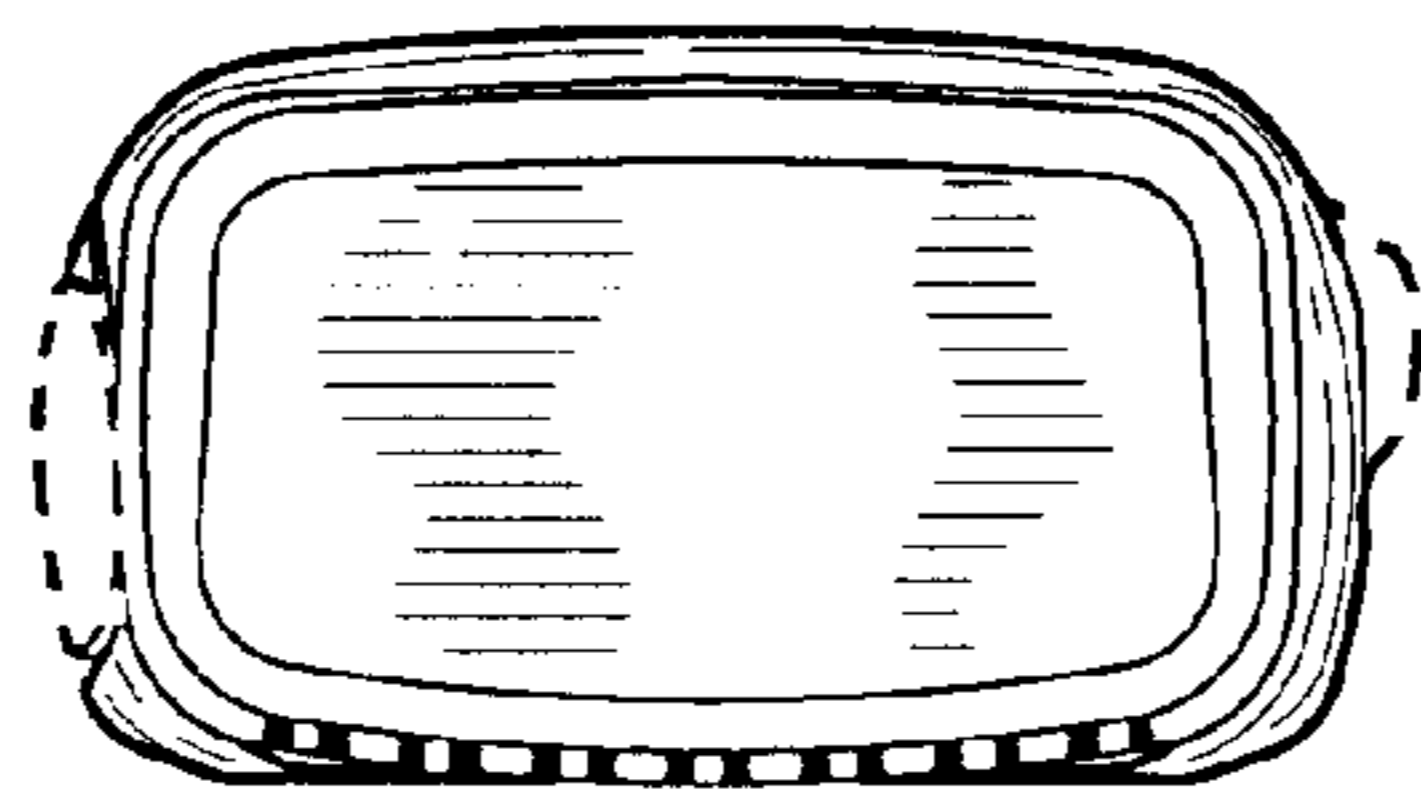


FIG. 6

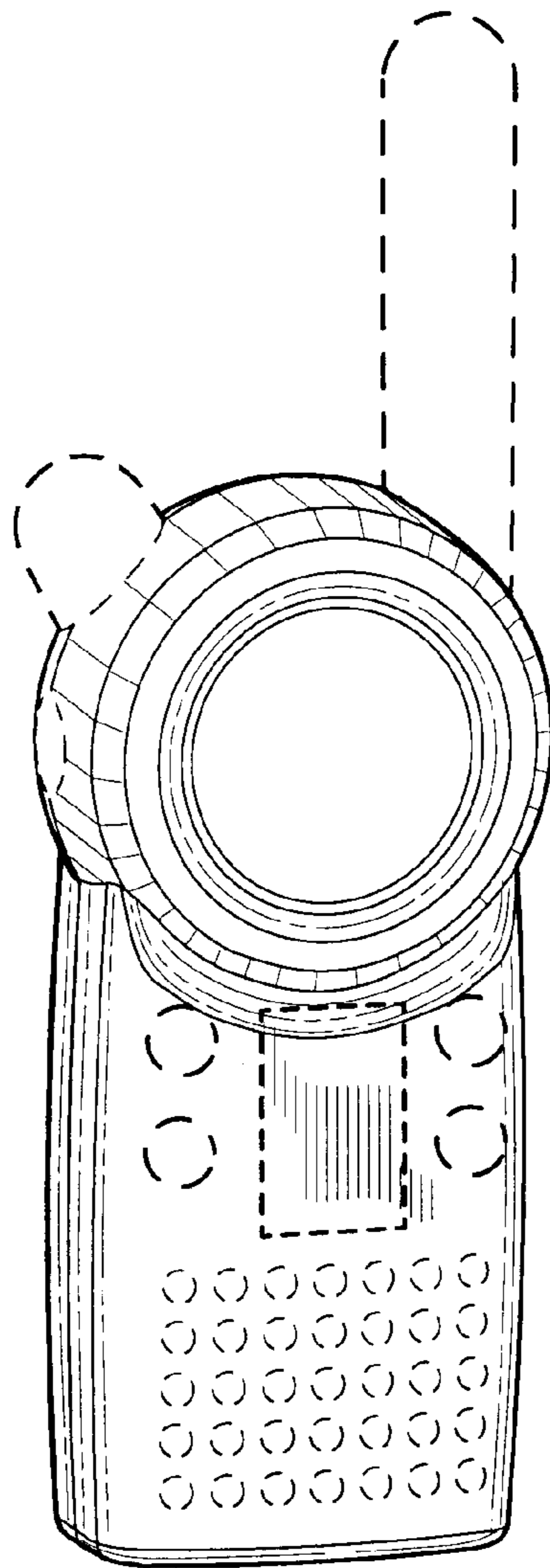


FIG. 7