

US00D493154S1

(12) **United States Design Patent**  
**Hussaini et al.**

(10) **Patent No.:** **US D493,154 S**  
(45) **Date of Patent:** **\*\* Jul. 20, 2004**

(54) **FRONT FACE OF A DISPLAY PANEL OF AN AUDIO AND VIDEO ACCESSORY FOR AN ELECTRONIC DEVICE**

(75) Inventors: **Saied Hussaini**, Miami, FL (US); **Marc Iacovelli**, Miami, FL (US)

(73) Assignee: **Intec, Inc**, Miami, FL (US)

(\*\*) Term: **14 Years**

(21) Appl. No.: **29/172,773**

(22) Filed: **Dec. 18, 2002**

(51) **LOC (7) Cl.** ..... **14-03**

(52) **U.S. Cl.** ..... **D14/132; D14/217**

(58) **Field of Search** ..... D12/415-418,  
D12/345; D14/125-136, 239, 315, 327,  
371, 374-375, 451; 296/37.1, 37.7-37.8,  
70; 312/7.2; 340/461, 905, 995; 348/148,  
825, 827, 836-838, 840

(56) **References Cited**

**U.S. PATENT DOCUMENTS**

D288,321 S	*	2/1987	Ohtsu	.....	D14/132
4,646,158 A	*	2/1987	Ohno et al.	.....	D14/132
D297,536 S	*	9/1988	Ohtsu	.....	D14/132
5,825,614 A	*	10/1998	Kim	.....	361/683
D437,837 S	*	2/2001	Harrison et al.	.....	D14/132
D441,352 S	*	5/2001	Kuo	.....	D14/217
D454,122 S	*	3/2002	Hori et al.	.....	D14/132

\* cited by examiner

*Primary Examiner*—Nanda Bondade

(74) *Attorney, Agent, or Firm*—Liniak, Berenato & White

(57) **CLAIM**

The ornamental design for a front face of a display panel of an audio and video accessory for an electronic device, as shown and described.

**DESCRIPTION**

FIG. 1 is a front view of the front face of a display panel of an audio and video accessory for an electronic device according to the present invention.

FIG. 2 is a rear view of the front face of a display panel of an audio and video accessory for an electronic device of FIG. 1.

FIG. 3 is a left side view of the front face of a display panel of an audio and video accessory for an electronic device of FIG. 1.

FIG. 4 is a right side view of the front face of a display panel of an audio and video accessory for an electronic device of FIG. 1.

FIG. 5 is a top view of the front face of a display panel of an audio and video accessory for an electronic device of FIG. 1.

FIG. 6 is a bottom view of the front face of a display panel of an audio and video accessory for an electronic device of FIG. 1.

FIG. 7 is a top view of the front face of a display panel of an audio and video accessory for an electronic device of FIG. 1 with the display in a closed position; and,

FIG. 8 is a reduced front and left perspective view of front face of a display panel of an audio and video accessory for an electronic device according to the present invention.

Portions of the design shown in dashed lines form no part of the claimed invention.

**1 Claim, 7 Drawing Sheets**

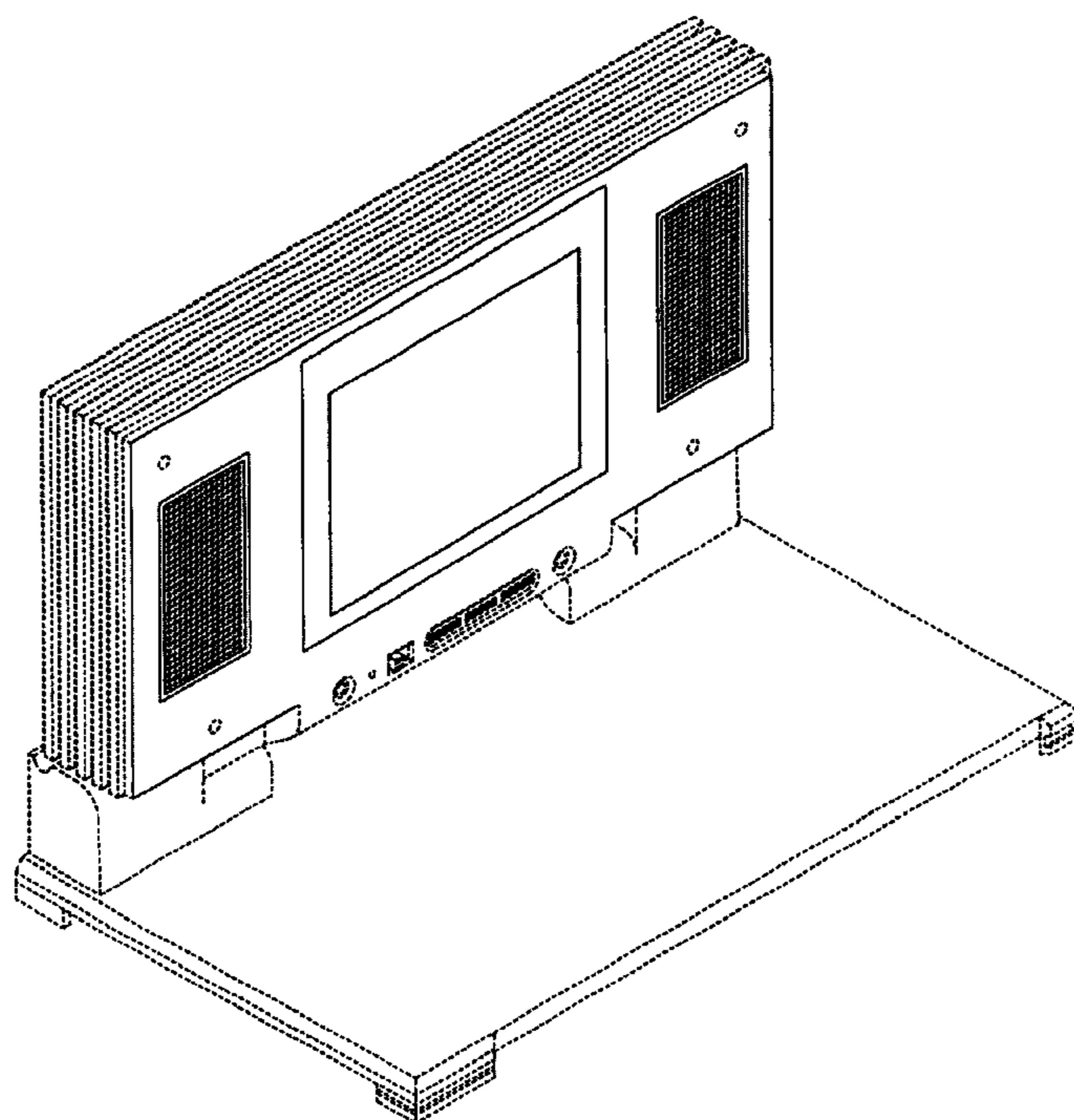


Fig. 1

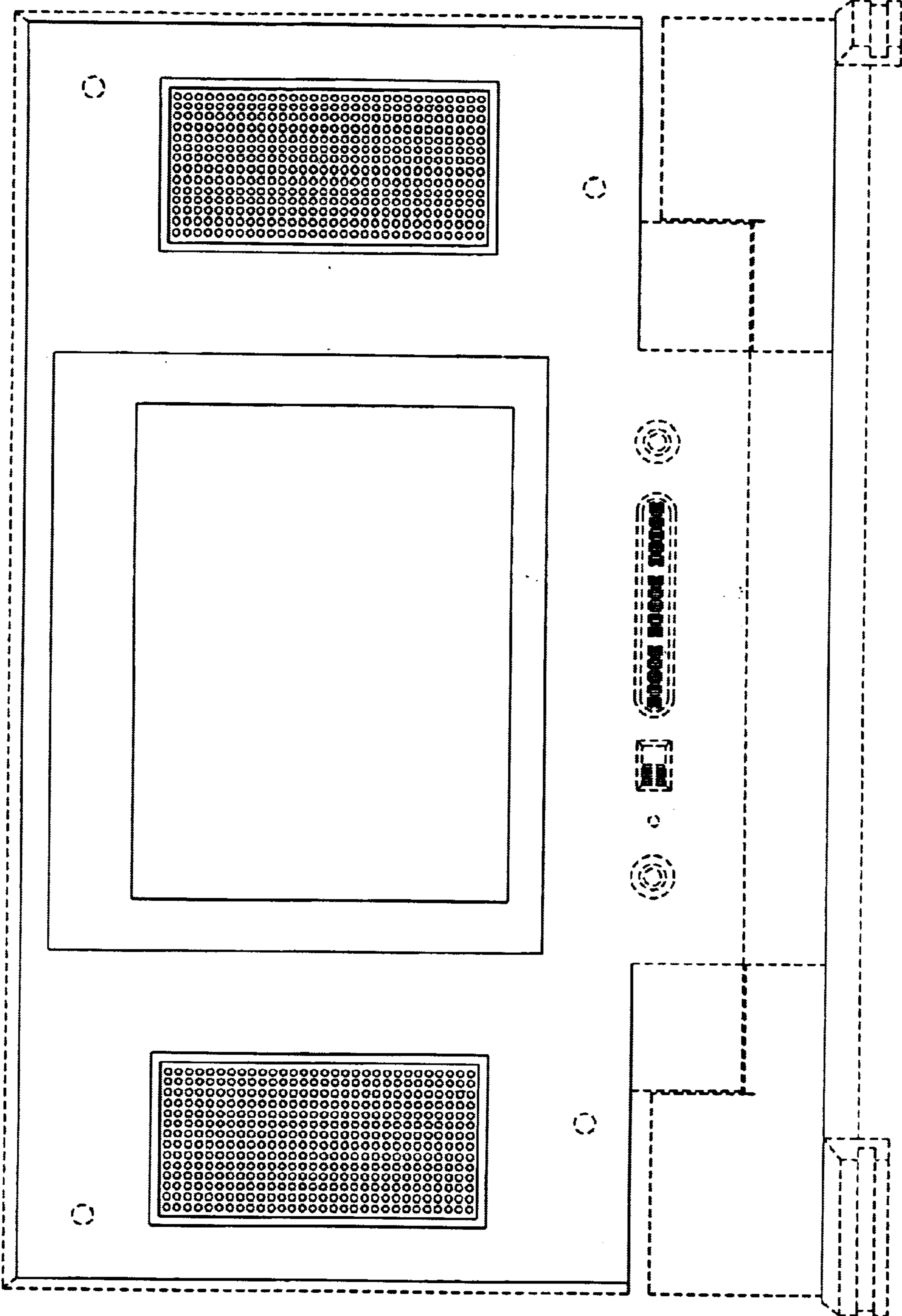
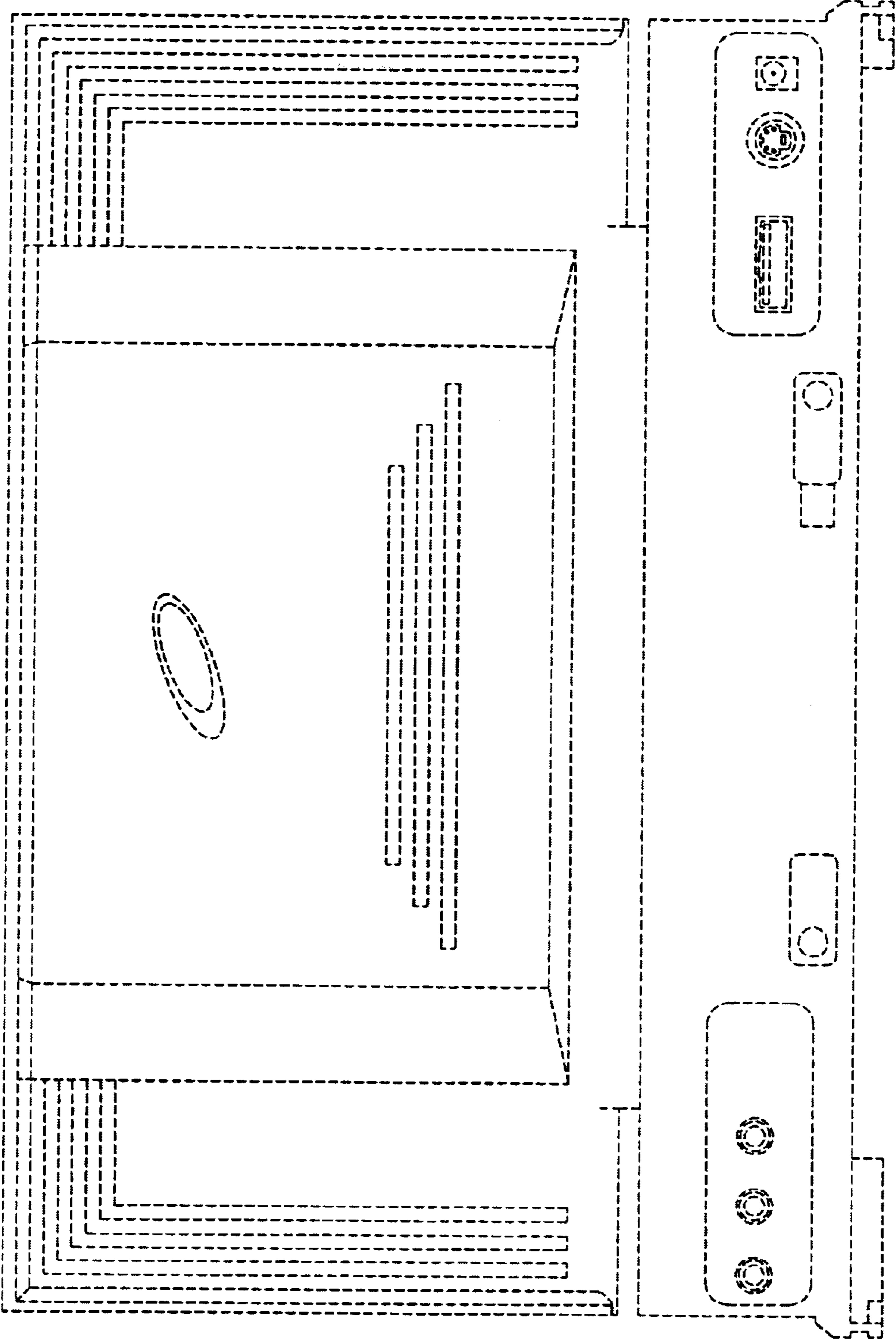


Fig. 2



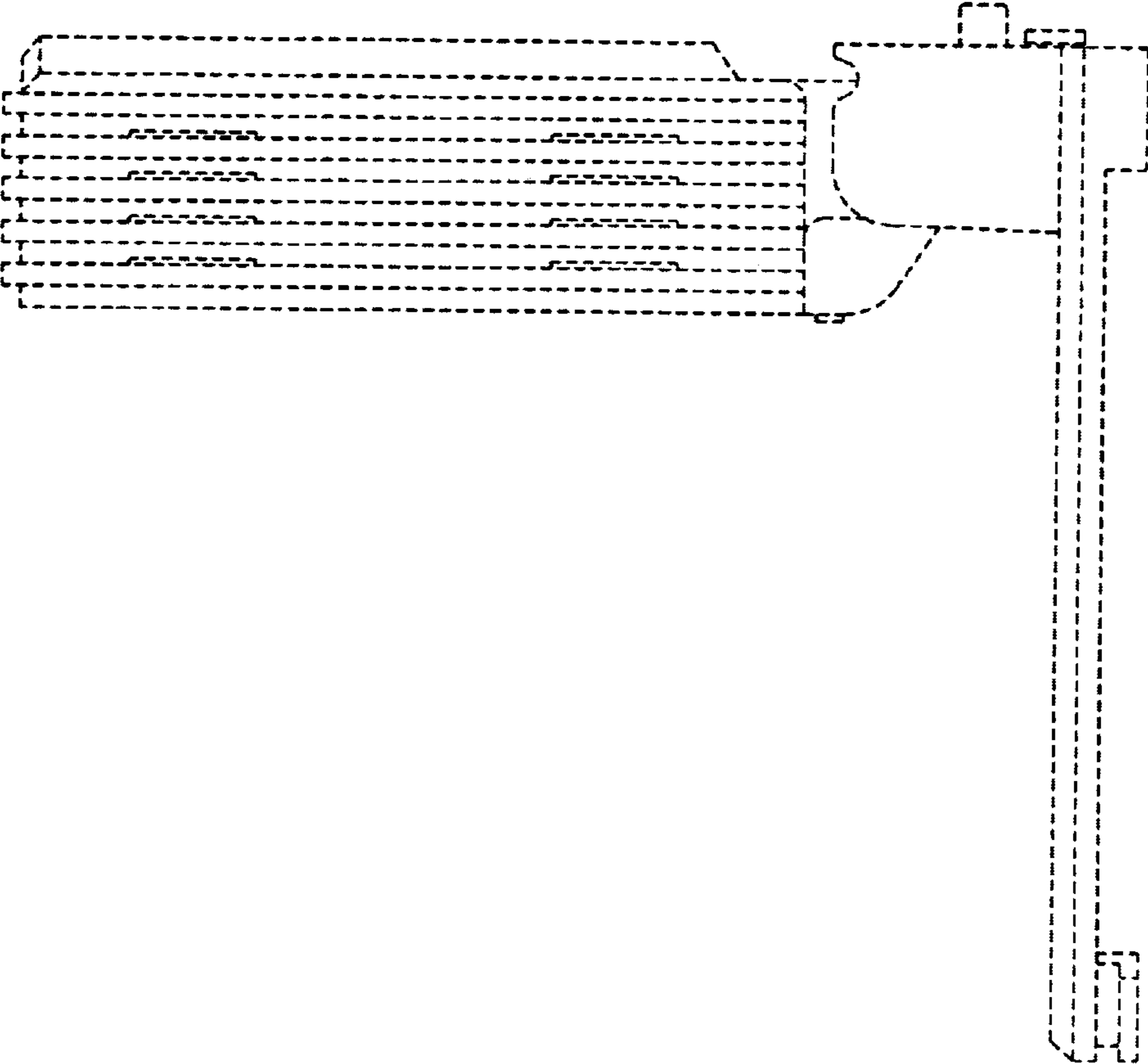


Fig. 4

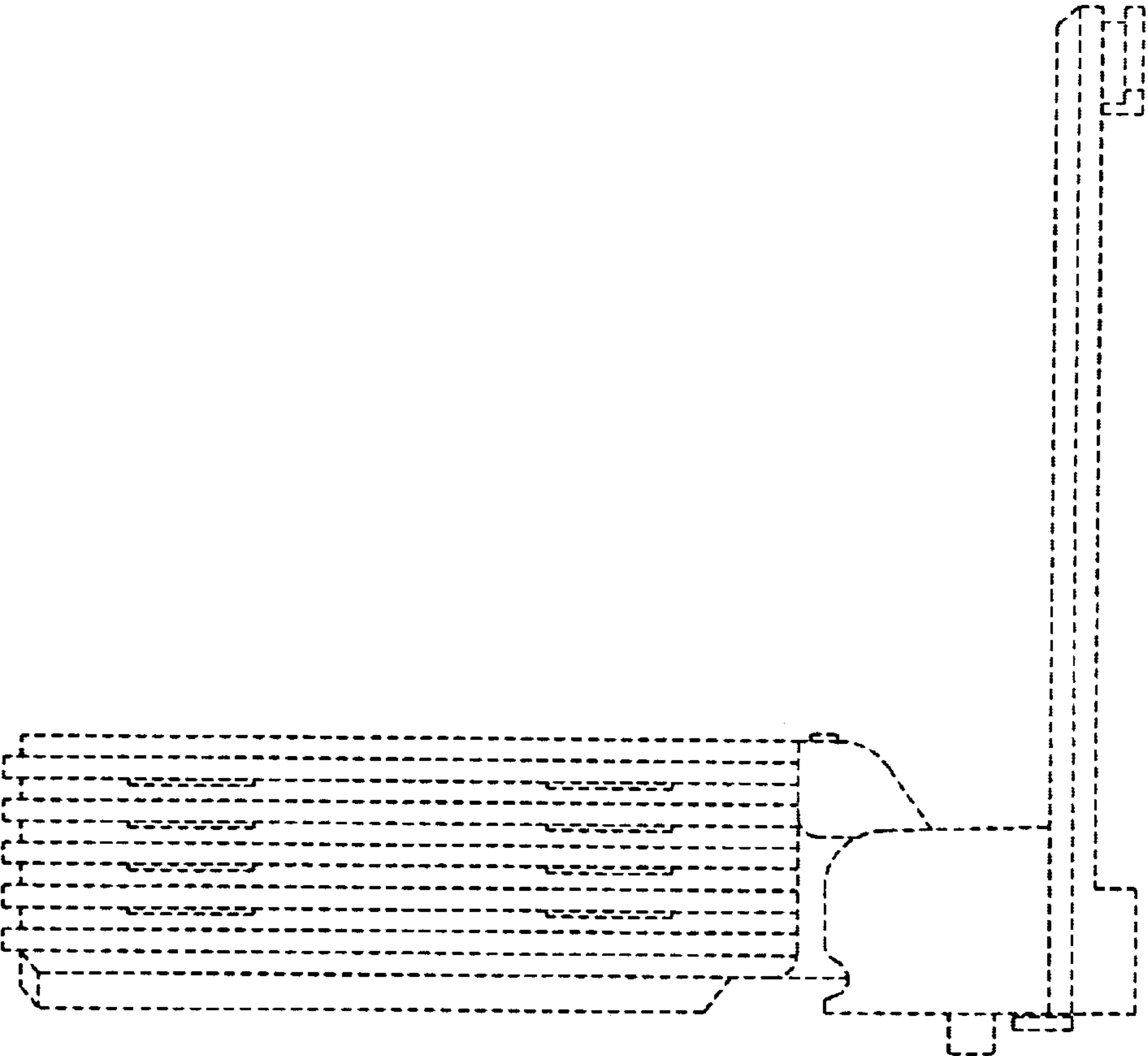


Fig. 3

Fig. 5

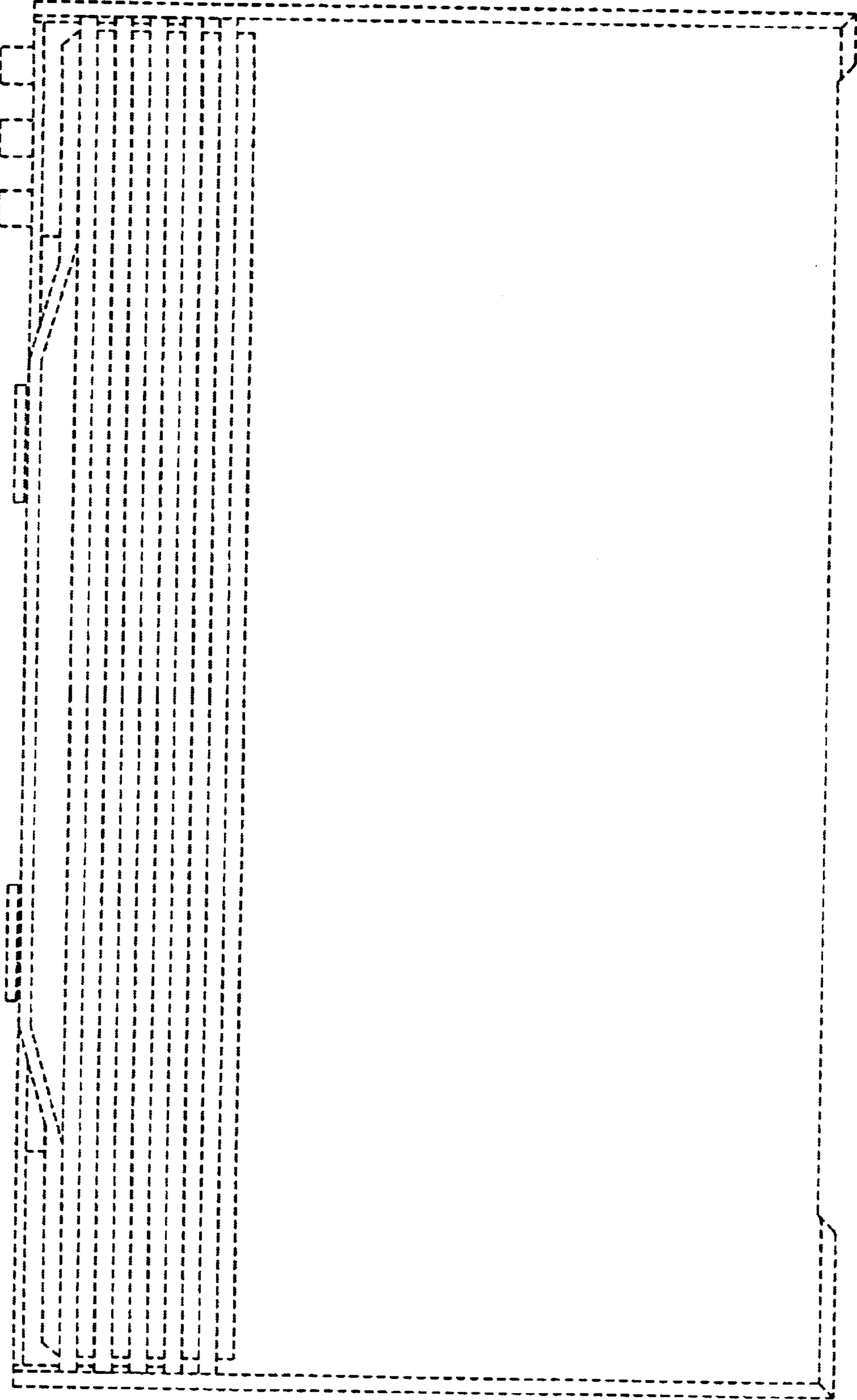


Fig. 6

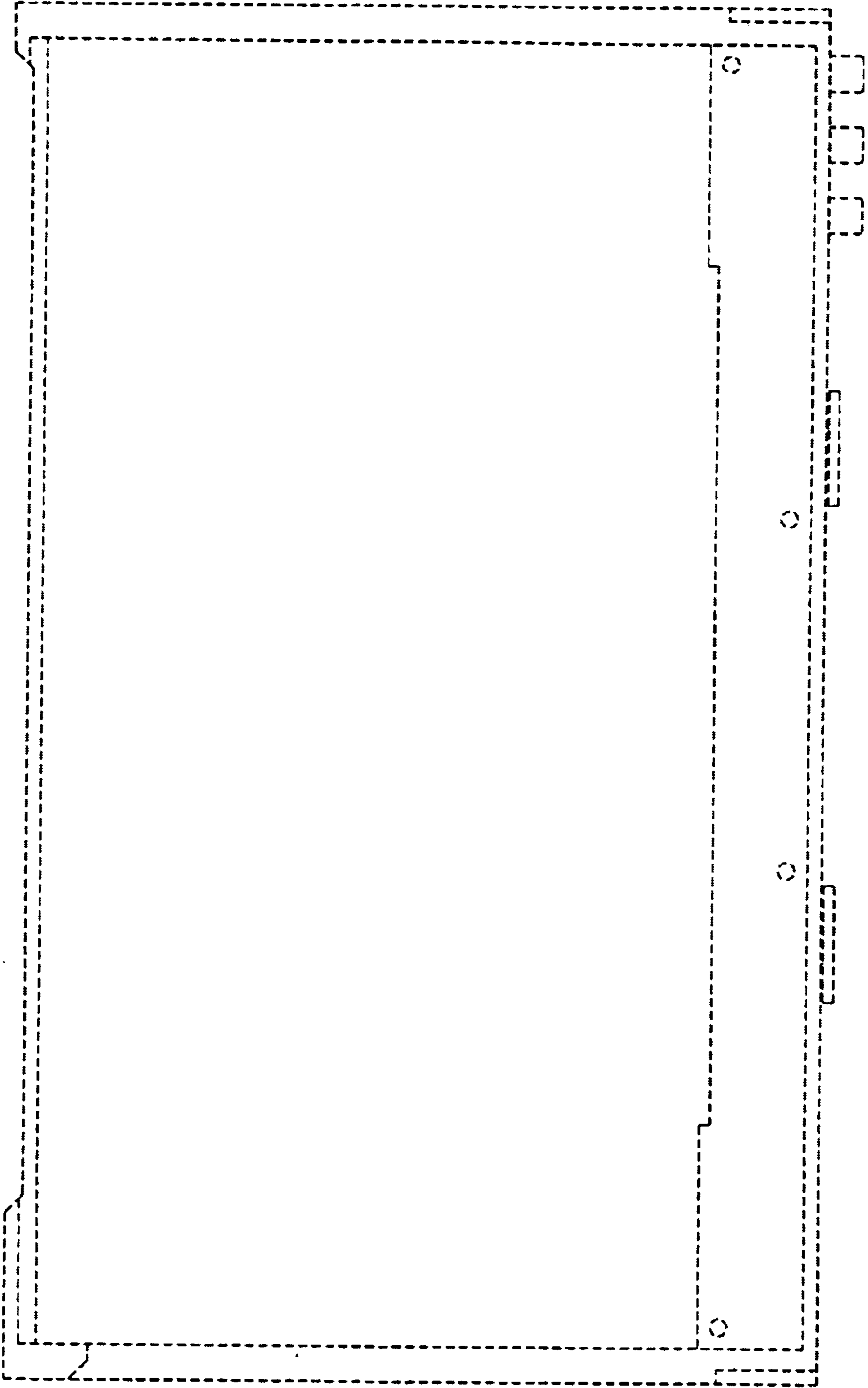


Fig. 7

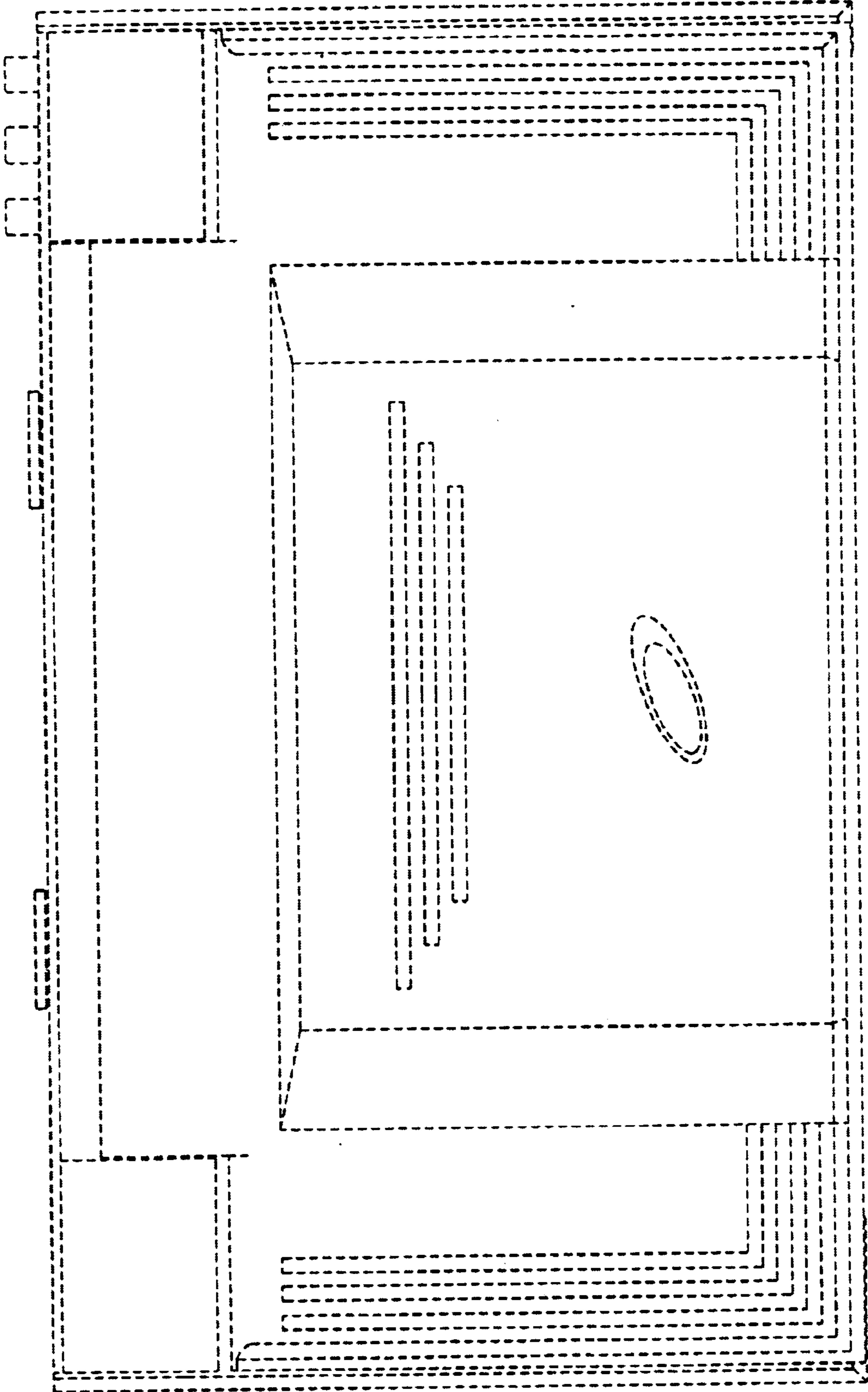


Fig. 8

