

US00D493153S1

(12) **United States Design Patent**
Zhai et al.

(10) **Patent No.:** **US D493,153 S**

(45) **Date of Patent:** **** Jul. 20, 2004**

(54) **TV-SET (FROG PRINCE-3)**

D456,049 S * 4/2002 Hood D21/515
D458,910 S * 6/2002 Kita D14/126

(75) Inventors: **Yili Zhai**, Qingdao (CN); **Wenle Cao**,
Qingdao (CN); **Hejian Bai**, Qingdao
(CN); **Qiang Liu**, Qingdao (CN)

* cited by examiner

Primary Examiner—Raphael Barkai

(73) Assignee: **Haier Group Corporation & Qingdao**
Haier Electric Co. Ltd., Qingdao (CN)

(74) *Attorney, Agent, or Firm*—Thelen Reid & Priest, LLP

(**) Term: **14 Years**

(57) **CLAIM**

The ornamental design for a tv-set (frog prince-3), as shown
and described.

(21) Appl. No.: **29/169,270**

DESCRIPTION

(22) Filed: **Oct. 15, 2002**

(51) **LOC (7) Cl.** **14-03**

(52) **U.S. Cl.** **D14/126**

(58) **Field of Search** D14/125-134,
D14/239, 371, 374-382; D6/498; 312/7.2;
348/836, 838, 180, 184, 325, 239; 345/905,
104, 133, 156, 168, 87, 173; 341/12; 248/917-924

FIG. 1 is a bottom plan view of a design for a TV-set (frog
prince-3) in accordance with the present invention.

FIG. 2 is a right elevational view of the TV-set (frog
prince-3).

FIG. 3 is a front elevational view of the TV-set (frog
prince-3).

FIG. 4 is a left elevational view of the TV-set (frog prince-3).

FIG. 5 is a rear elevational view of the TV-set (frog
prince-3); and,

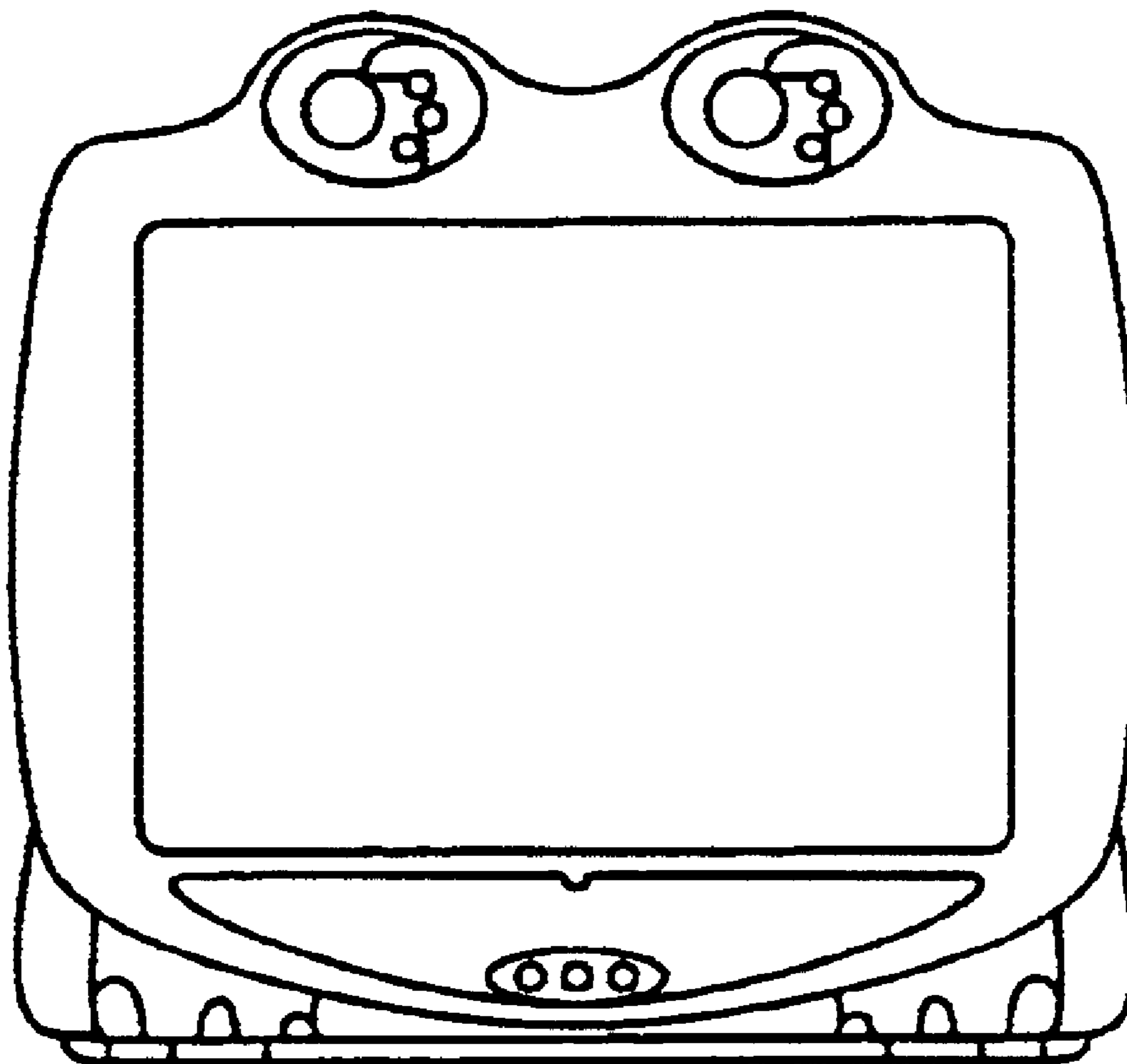
FIG. 6 is a top plan view of the TV-set (frog prince-3).

(56) **References Cited**

U.S. PATENT DOCUMENTS

D453,747 S * 2/2002 Kita D14/126

1 Claim, 2 Drawing Sheets



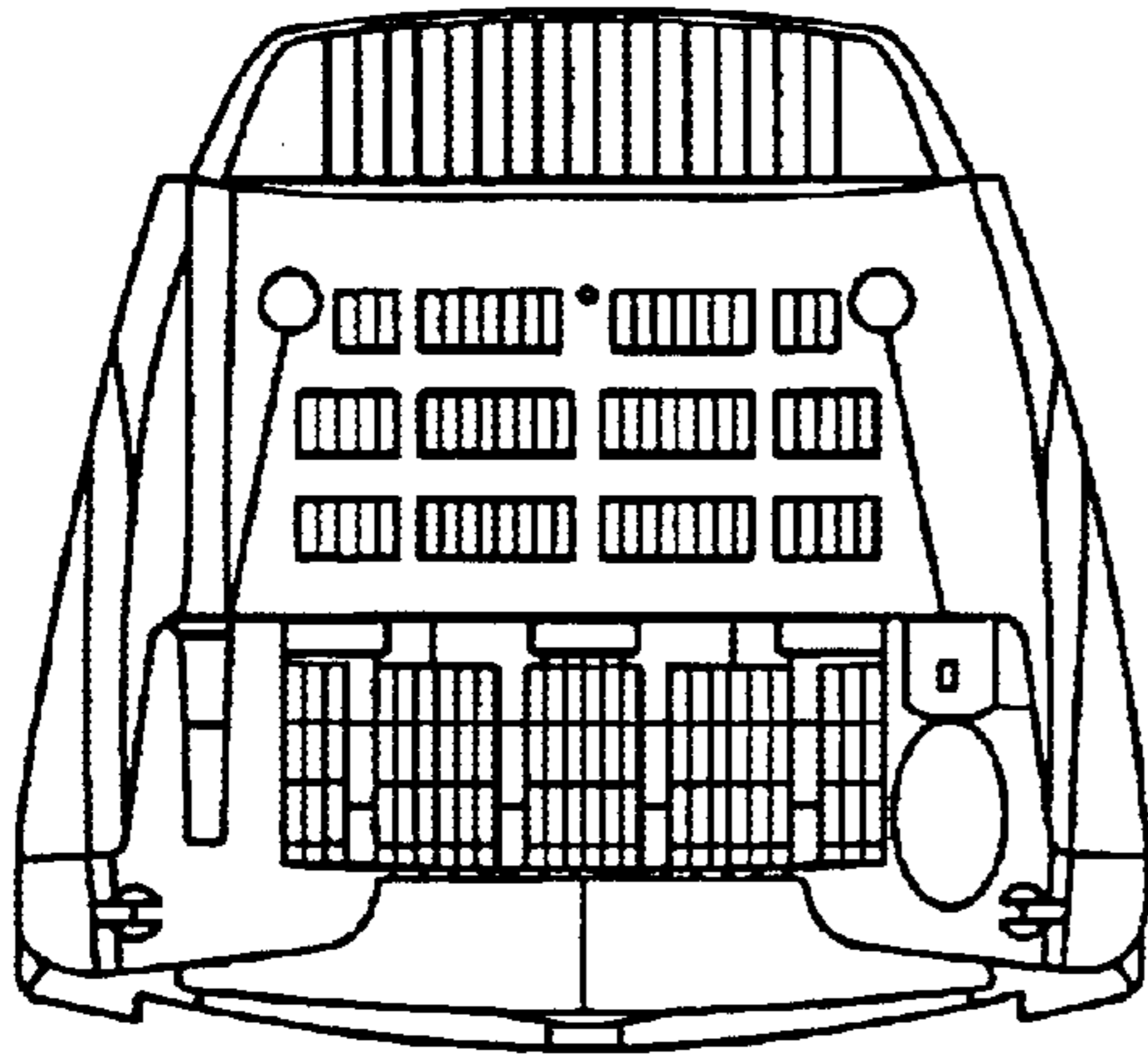


FIG. 1

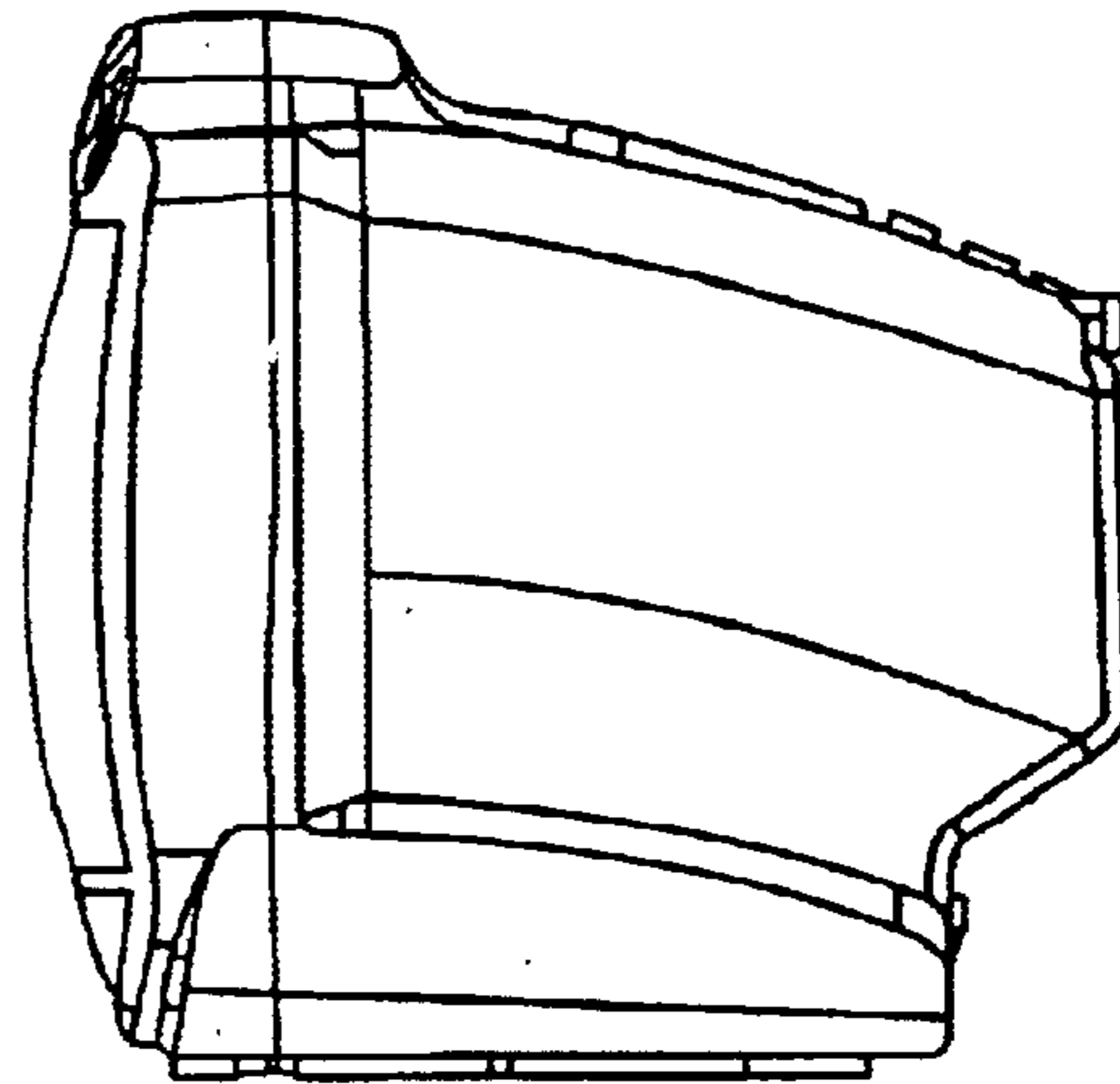


FIG. 2

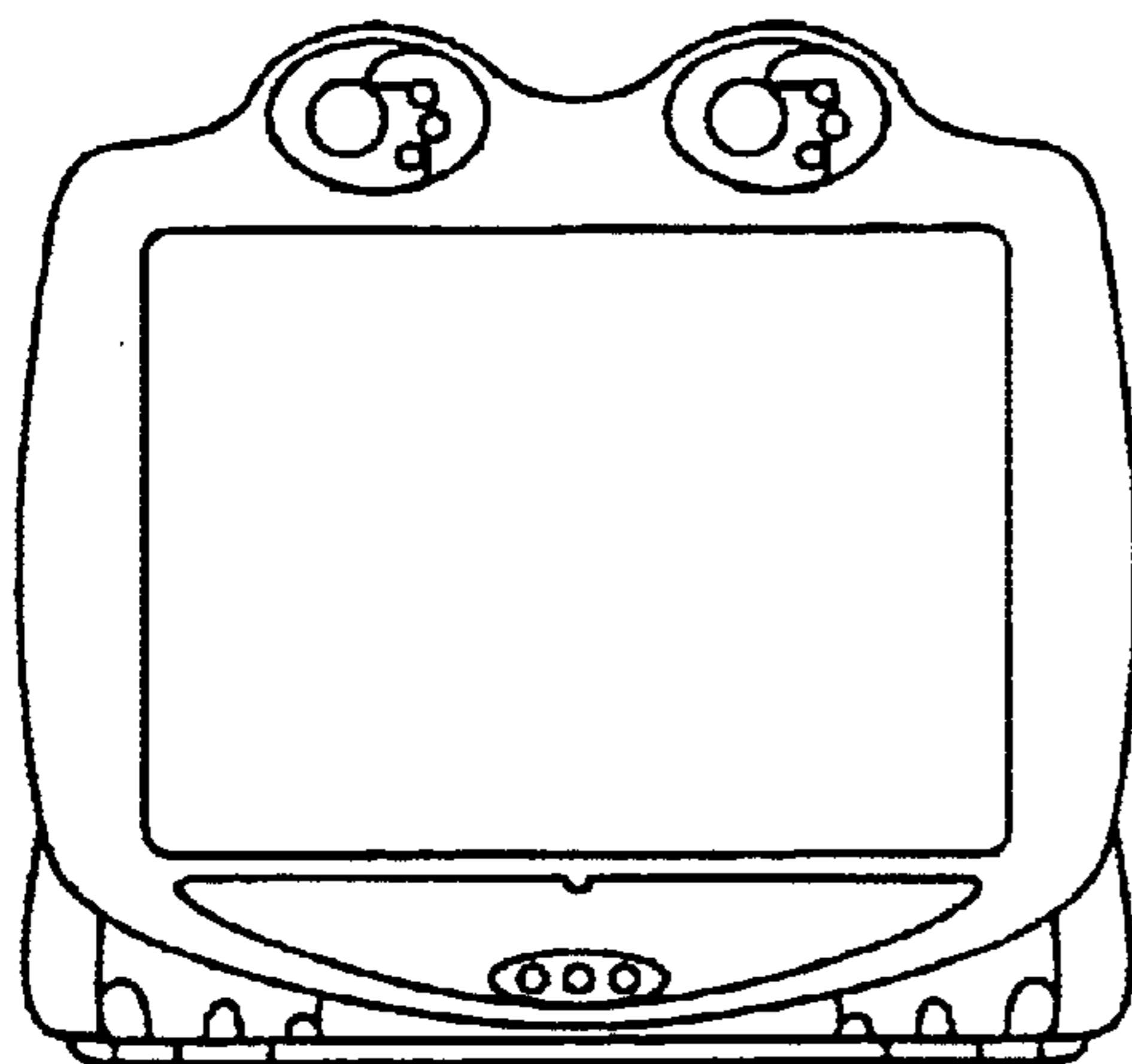


FIG. 3

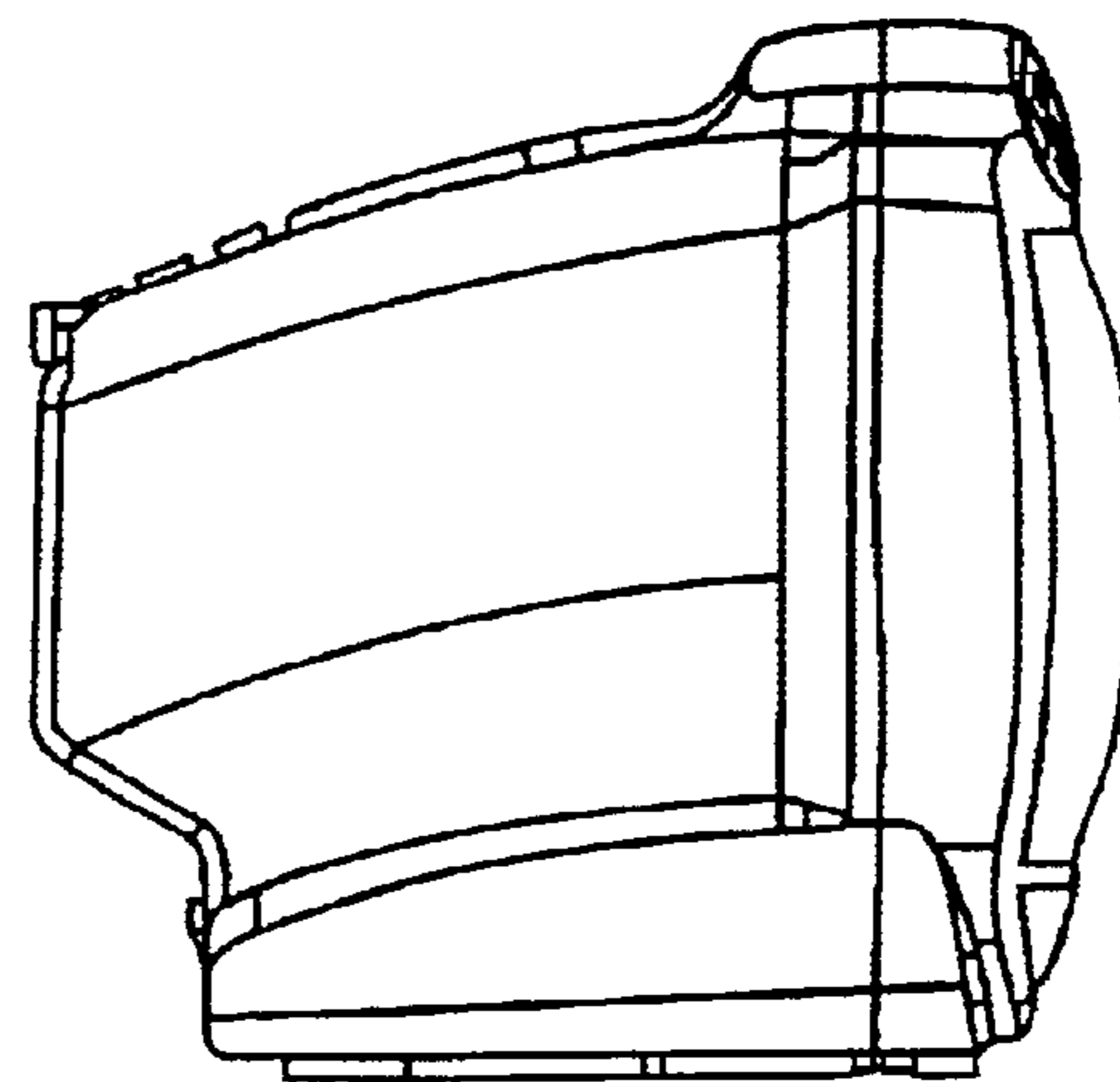


FIG. 4

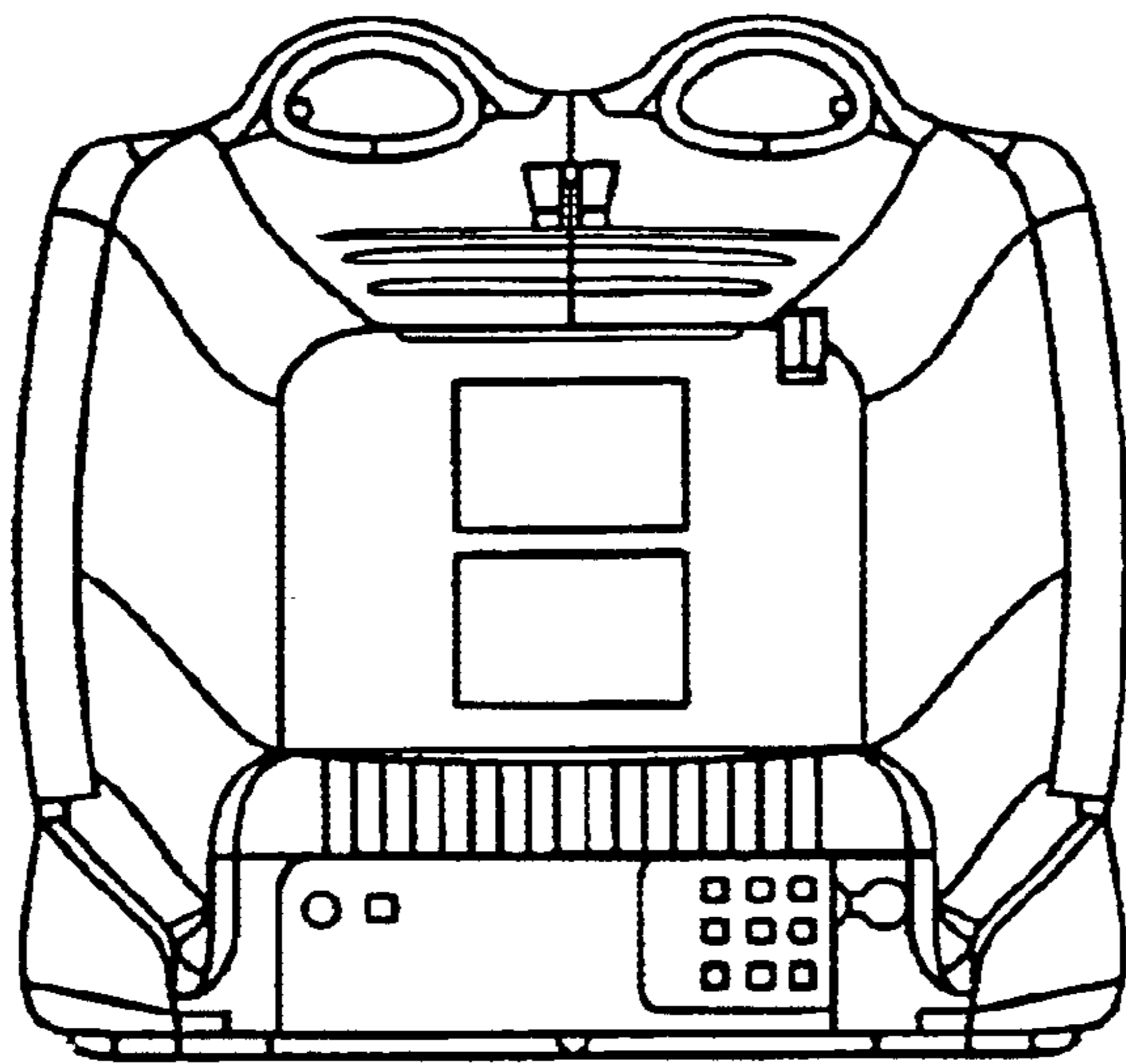


FIG. 5

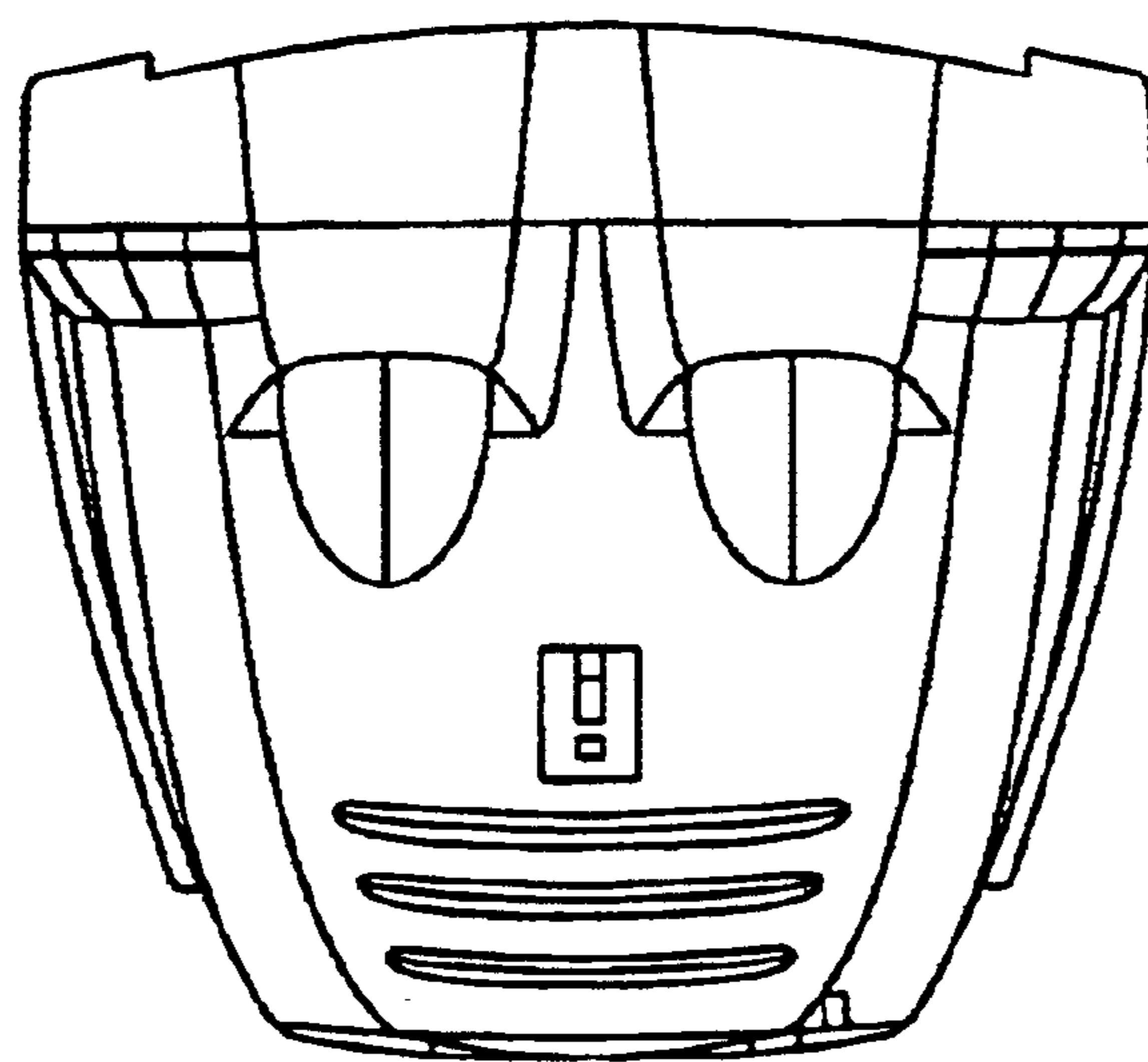


FIG. 6

UNITED STATES PATENT AND TRADEMARK OFFICE
CERTIFICATE OF CORRECTION

PATENT NO. : Des. 493,153 S
APPLICATION NO. : 29/169270
DATED : July 20, 2004
INVENTOR(S) : Yili Zhai et al.

Page 1 of 1

It is certified that error appears in the above-identified patent and that said Letters Patent is hereby corrected as shown below:

In column 1, insert priority claim as follows --This application is claiming
priority to Chinese Design Patent Application Number 02352397.2 filed on
September 10, 2002.--

Signed and Sealed this

Twenty-seventh Day of April, 2010



David J. Kappos
Director of the United States Patent and Trademark Office