

US00D493151S1

(12) **United States Design Patent**
Lee

(10) **Patent No.:** **US D493,151 S**
(45) **Date of Patent:** **** Jul. 20, 2004**

(54) **HEAT-CONDUCTING BLOCK OF VGA CHIPSET COOLING DEVICE**

(75) Inventor: **Sang-cheol Lee**, Kunpo-si (KR)

(73) Assignee: **Zalman Tech Co., Ltd.**, Gumchun-gu (KR)

(**) Term: **14 Years**

(21) Appl. No.: **29/179,828**

(22) Filed: **Apr. 15, 2003**

(30) **Foreign Application Priority Data**

Nov. 11, 2002 (KR) 30-2002-0032025

(51) **LOC (7) Cl.** **13-03**

(52) **U.S. Cl.** **D13/179**

(58) **Field of Search** D13/179; 361/688,
361/696-97, 700, 709

(56) **References Cited**

U.S. PATENT DOCUMENTS

3,208,062 A * 9/1965 Gregory 361/700

D467,559 S * 12/2002 Lee D13/179

6,515,862 B1 * 2/2003 Wong et al. 361/709

D483,019 S * 12/2003 Cook et al. D13/179

* cited by examiner

Primary Examiner—Brian N Vinson

(74) *Attorney, Agent, or Firm*—St. Onge Steward Johnston & Reens LLC

(57) **CLAIM**

I claim the ornamental design for a heat-conducting block of VGA chipset cooling device, as shown and described in the attached six drawings.

DESCRIPTION

FIG. 1 is a perspective view of a heat-conducting block of VGA chipset cooling device according to the present invention.

FIG. 2 is a front view of the heat-conducting block according to the present invention; the rear view of the heat-conducting block is a mirror image of FIG. 2.

FIG. 3 is a right side view of the heat-conducting block according to the present invention; the left side view of the heat-conducting block is a mirror image of FIG. 3.

FIG. 4 is a top plan view of the heat-conducting block according to the present invention.

FIG. 5 is a bottom plan view of the heat-conducting block according to the present invention; and,

FIG. 6 is a perspective view illustrating use of the heat-conducting block according to the present invention.

The broken lines in the figures indicate environmental elements for illustrative purposes only and form no part of the claimed design.

1 Claim, 4 Drawing Sheets

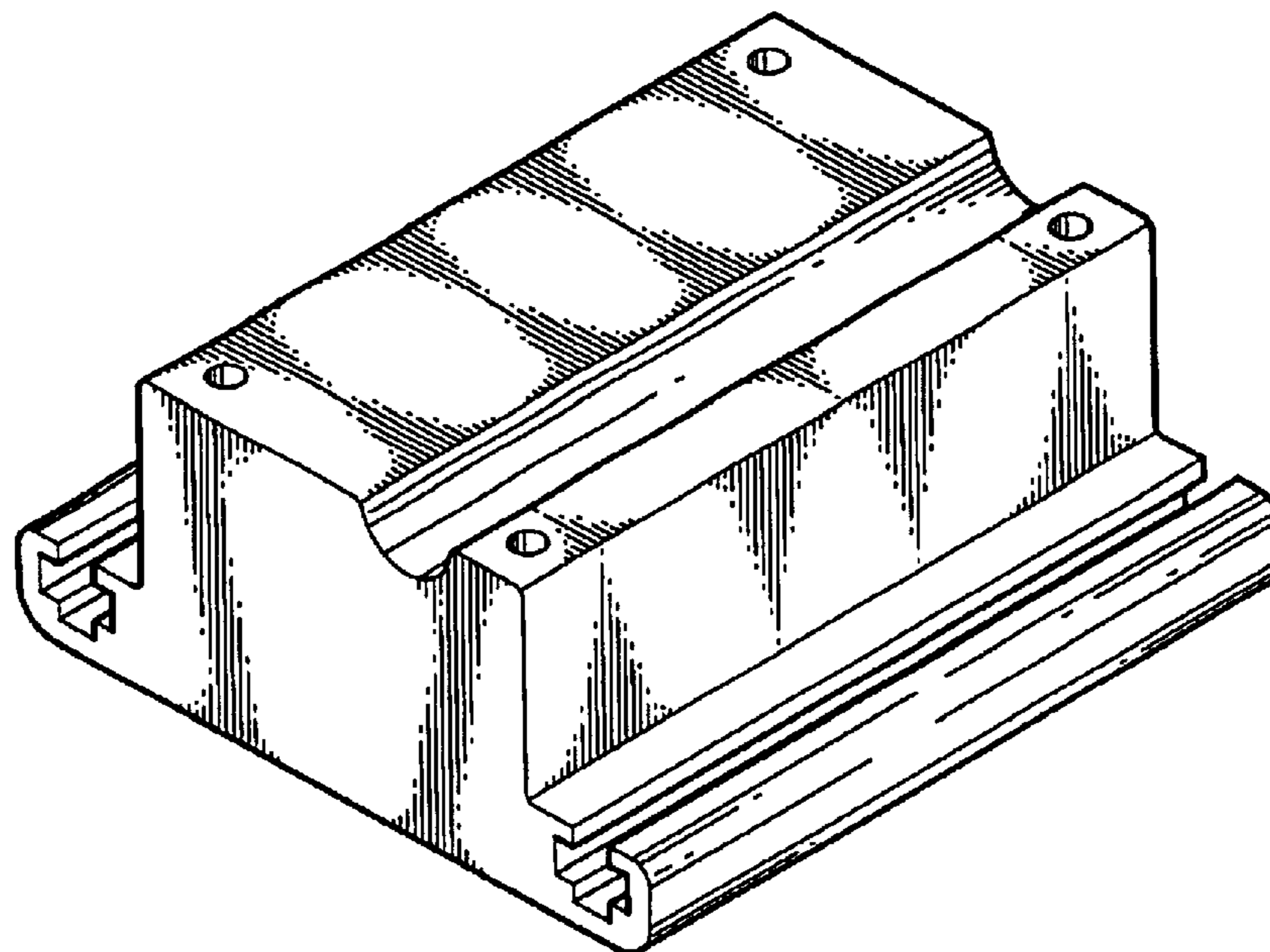


FIG. 1

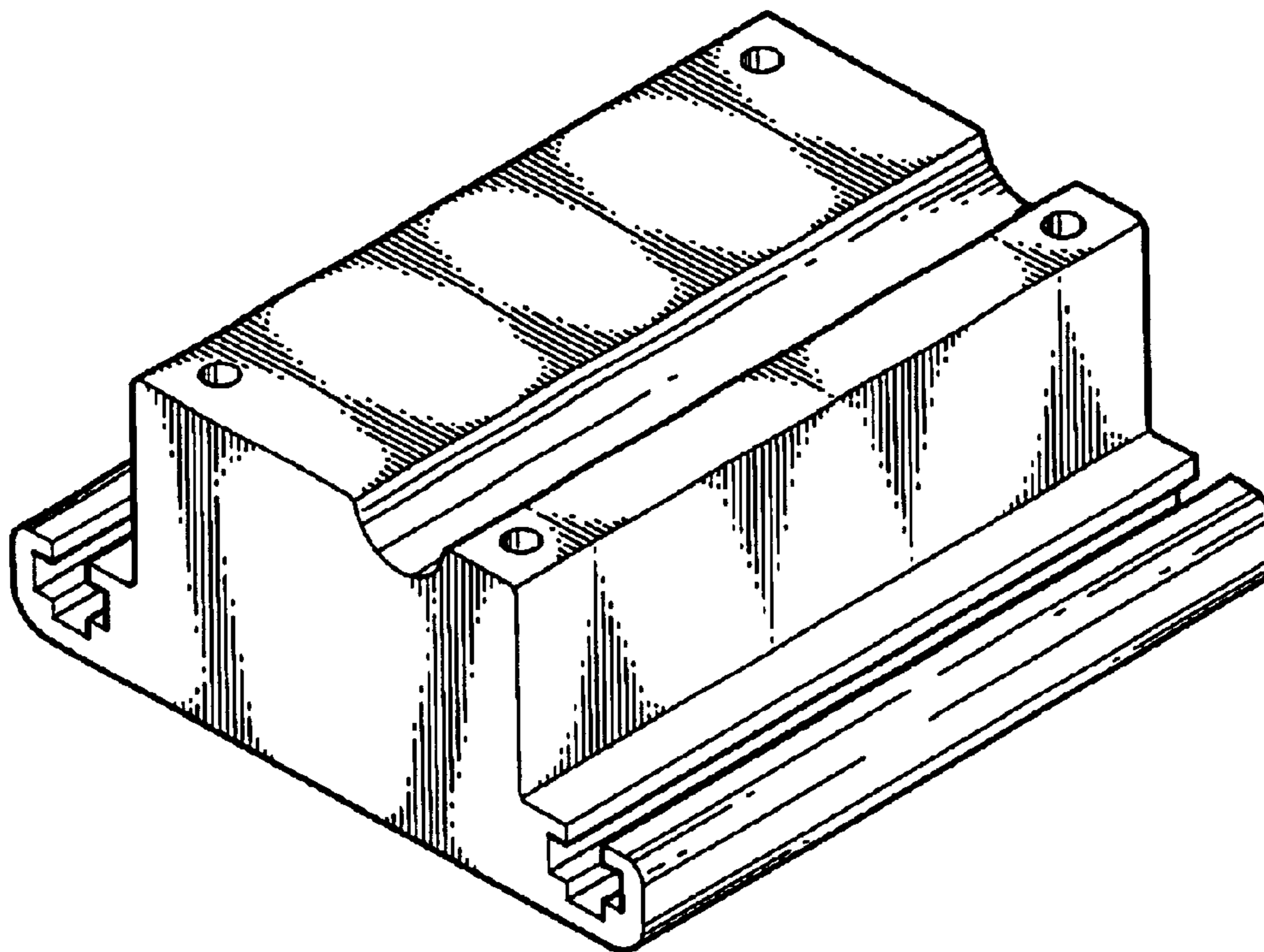


FIG. 2

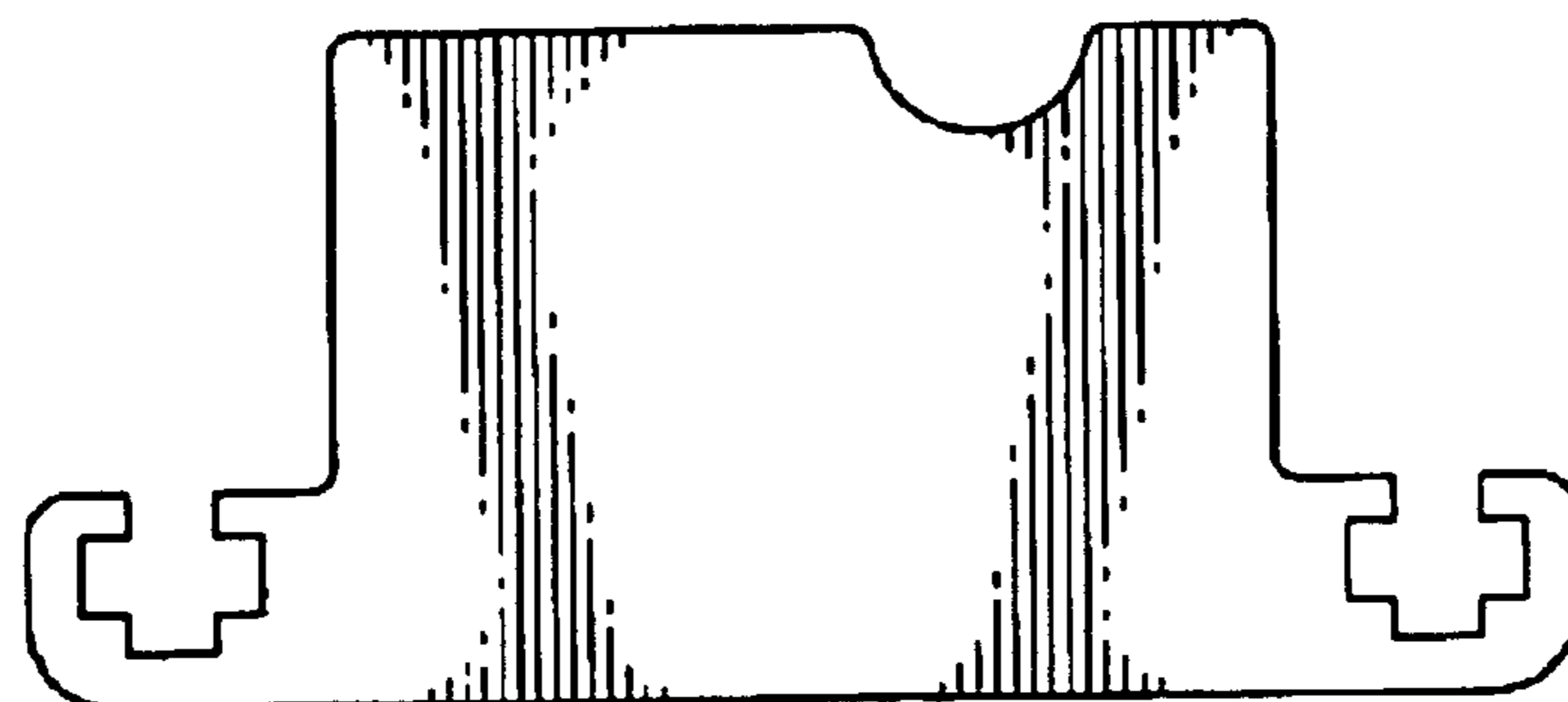


FIG. 3

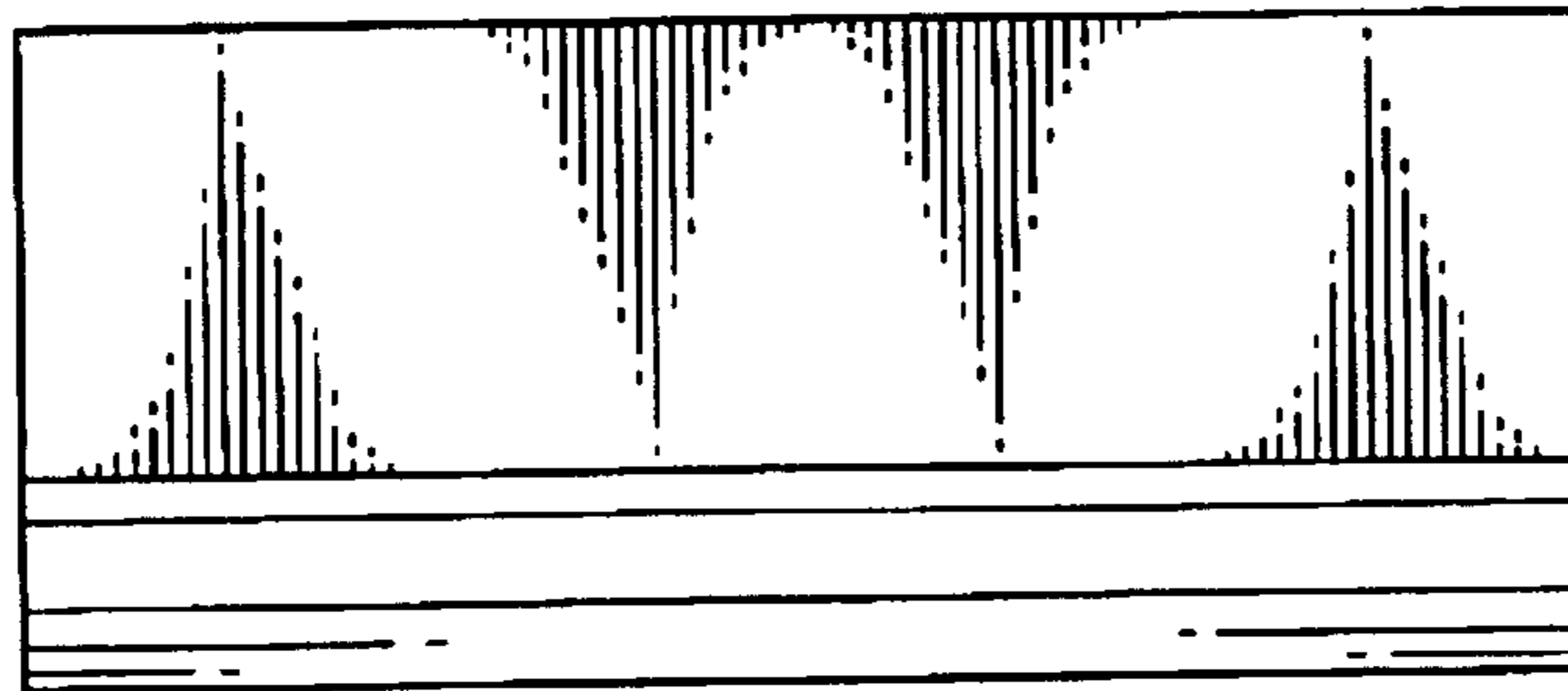


FIG. 4

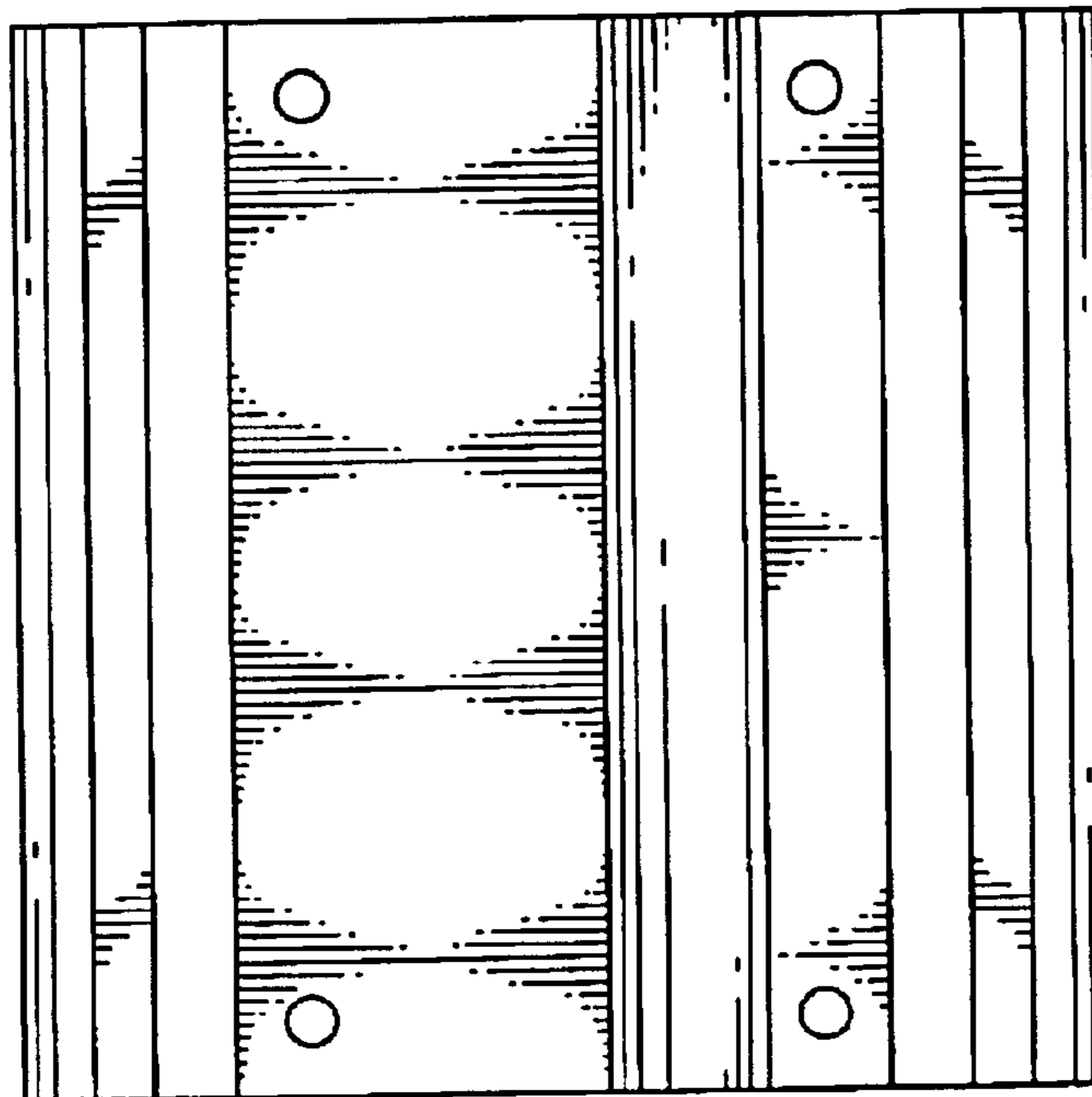


FIG. 5

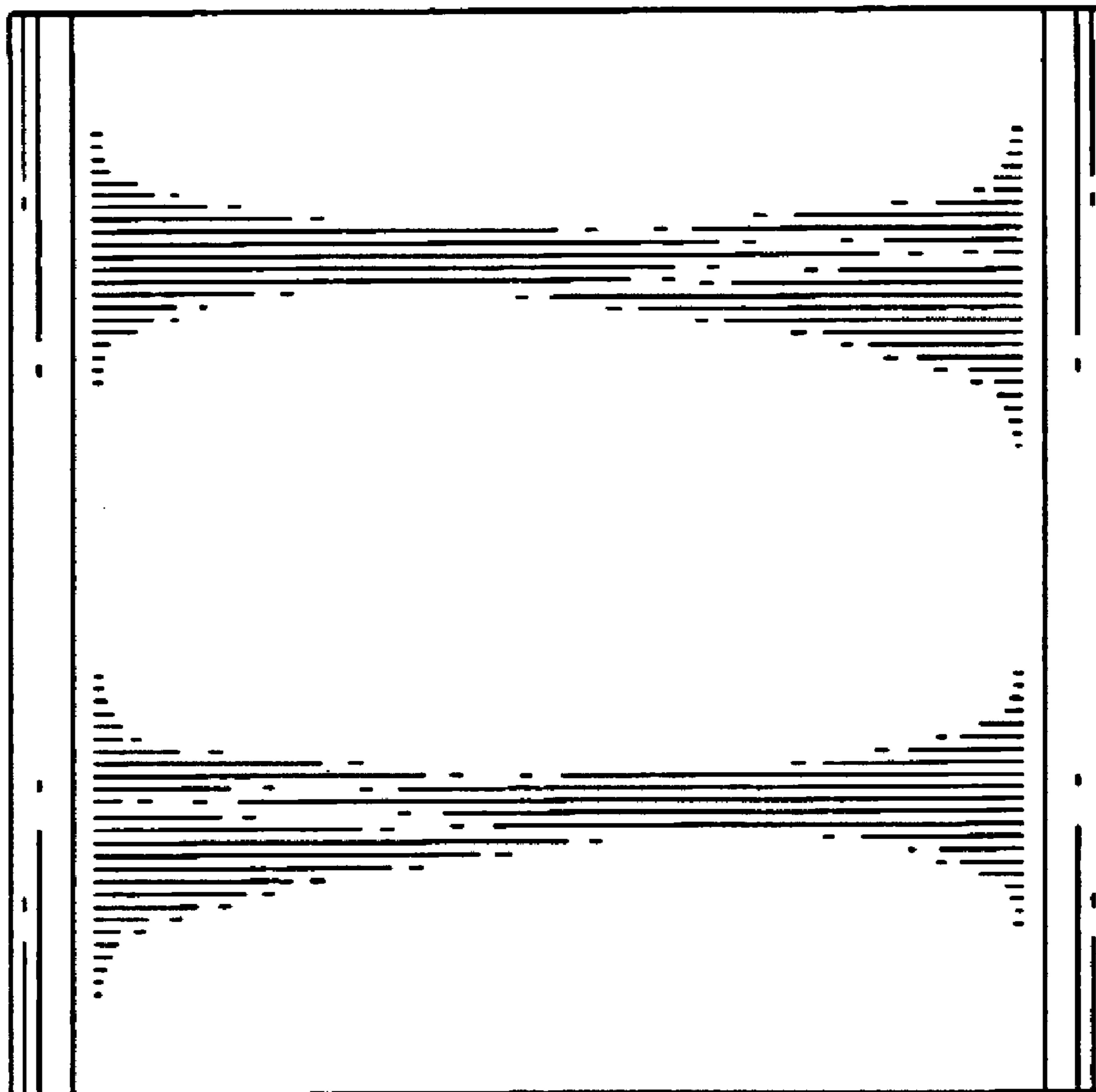


FIG. 6

