

US00D493149S1

(12) **United States Design Patent** (10) **Patent No.:** **US D493,149 S**  
**Murtaugh et al.** (45) **Date of Patent:** **\*\* Jul. 20, 2004**

(54) **REMOTE DEVICE**

(75) Inventors: **John Patrick Murtaugh**, Lakewood, CA (US); **Ryan David Redenbaugh**, Huntington Beach, CA (US); **Douglas Mark Patton**, Irvine, CA (US); **James Dexter Tickle**, Moorpark, CA (US); **Patrick Harold Bair**, Camarillo, CA (US); **Carlos Solis Sanchez**, Oxnard, CA (US)

(73) Assignee: **Interlink Electronics, Inc.**, Camarillo, CA (US)

(\*\*) Term: **14 Years**

(21) Appl. No.: **29/182,609**

(22) Filed: **May 29, 2003**

(51) **LOC (7) Cl.** ..... **13-03**

(52) **U.S. Cl.** ..... **D13/168**

(58) **Field of Search** ..... D10/104, 106; D13/162, 168; D14/174, 218; 123/179.2; 340/825, 825.22, 825.23, 825.24, 825.25, 825.31, 825.32, 825.36, 825.58, 825.69, 825.72, 425.5, 426, 539.32; 341/176; 455/151.1-151.4, 352

(56) **References Cited**

**U.S. PATENT DOCUMENTS**

D375,909 S	*	11/1996	Dziarsk et al.	.....	D10/106
D423,462 S	*	4/2000	Jimenez et al.	.....	D13/168
6,069,614 A	*	5/2000	Singhal	.....	345/158
6,127,920 A	*	10/2000	Chen	.....	340/425.5
D436,109 S		1/2001	Tong et al.		
6,352,434 B1		3/2002	Emmert		
6,366,202 B1	*	4/2002	Rosenthal	.....	340/539.32
6,394,813 B1		5/2002	Stout et al.		
6,544,075 B1		4/2003	Liao		
D477,571 S		7/2003	Huang et al.		
D482,006 S	*	11/2003	Stekelenburg	.....	D13/168
D482,336 S	*	11/2003	Stekelenburg	.....	D13/168

**OTHER PUBLICATIONS**

Internet Advertisement of "Microsoft Optical Bluetooth Desktop" at eXpansys UK, Jul. 24, 2003.  
Internet Advertisement of "AnyCom USB-100 Bluetooth Daptor" at eXpansys UK, Jul. 24, 2003.  
Internet Advertisement of "AnyCom USB-220 Bluetooth Adaptor" at Expansys UK, Jul. 24, 2003.  
Internet Advertisement of "D-Link Bluetooth USB Adaptor" at eXpansys UK, Jul. 24, 2003.  
Internet Advertisement of 3Com® Wireless Bluetooth™ USB Adaptor.

\* cited by examiner

*Primary Examiner*—Philip S. Hyder

*Assistant Examiner*—Selina Sikder

(74) *Attorney, Agent, or Firm*—Brooks Kushman P.C.

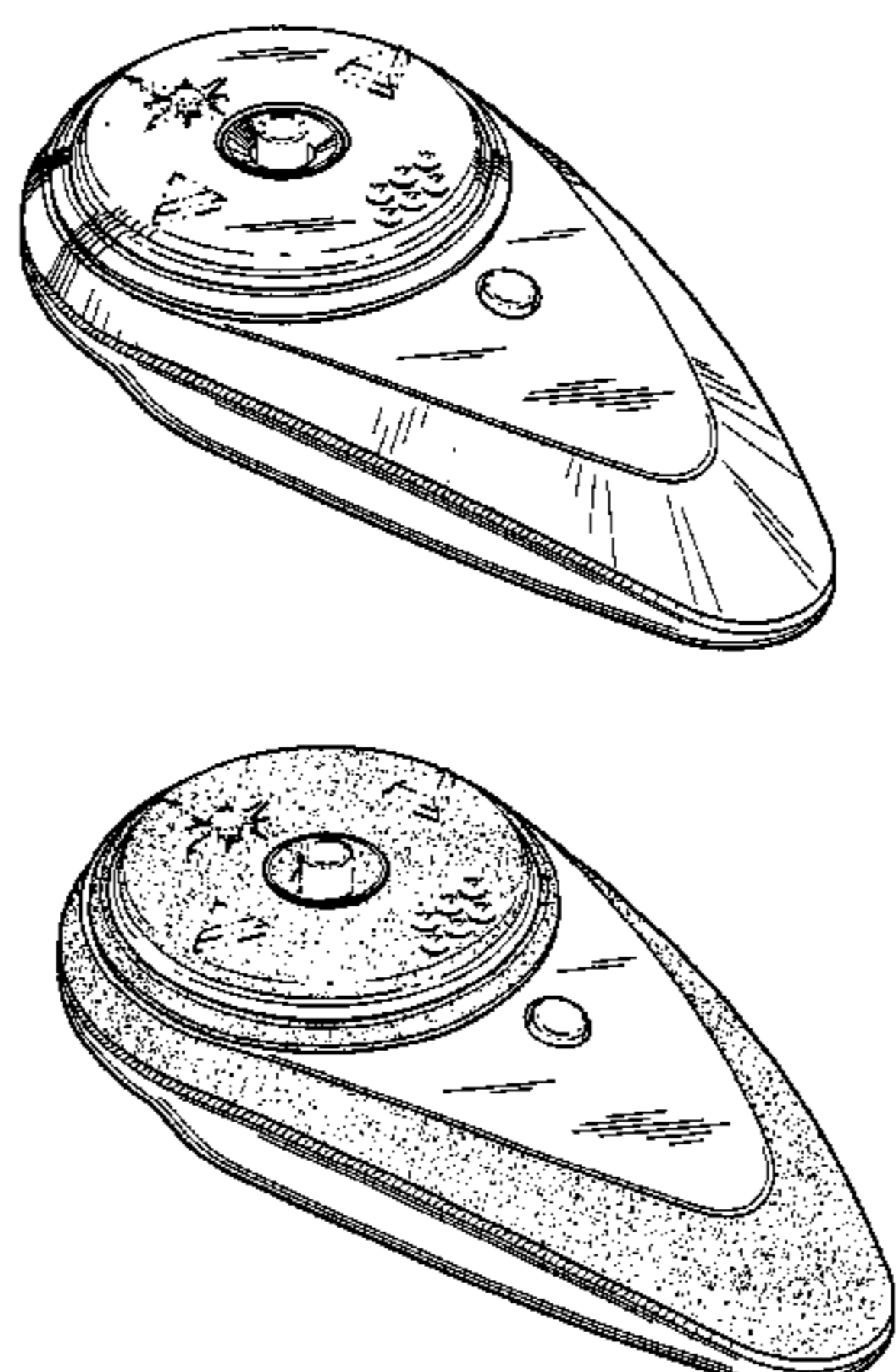
(57) **CLAIM**

The ornamental design for a remote device, as shown and described.

**DESCRIPTION**

FIG. 1 is a perspective view of the remote device; FIG. 2 is a top plan view; FIG. 3 is a bottom plan view; FIG. 4 is a left side elevational view, the right side being a mirror image thereof; FIG. 5 is a front end view; FIG. 6 is a rear end view; FIG. 7 is a perspective view of a second embodiment of the present invention, the stippling in the second embodiment in FIGS. 7-11 is provided to indicate a contrast in surface appearance; FIG. 8 is a top plan view of the second embodiment shown in FIG. 7, the rear view being the same as in FIG. 3; FIG. 9 is a left side elevational view of the second embodiment shown in FIG. 7, the right side being a mirror image thereof; FIG. 10 is a front elevational view of the second embodiment shown in FIG. 7; and, FIG. 11 is a rear elevational view of the second embodiment shown in FIG. 7.  
The broken lines are for illustrative purposes only and form no part of the claimed design.

**1 Claim, 2 Drawing Sheets**



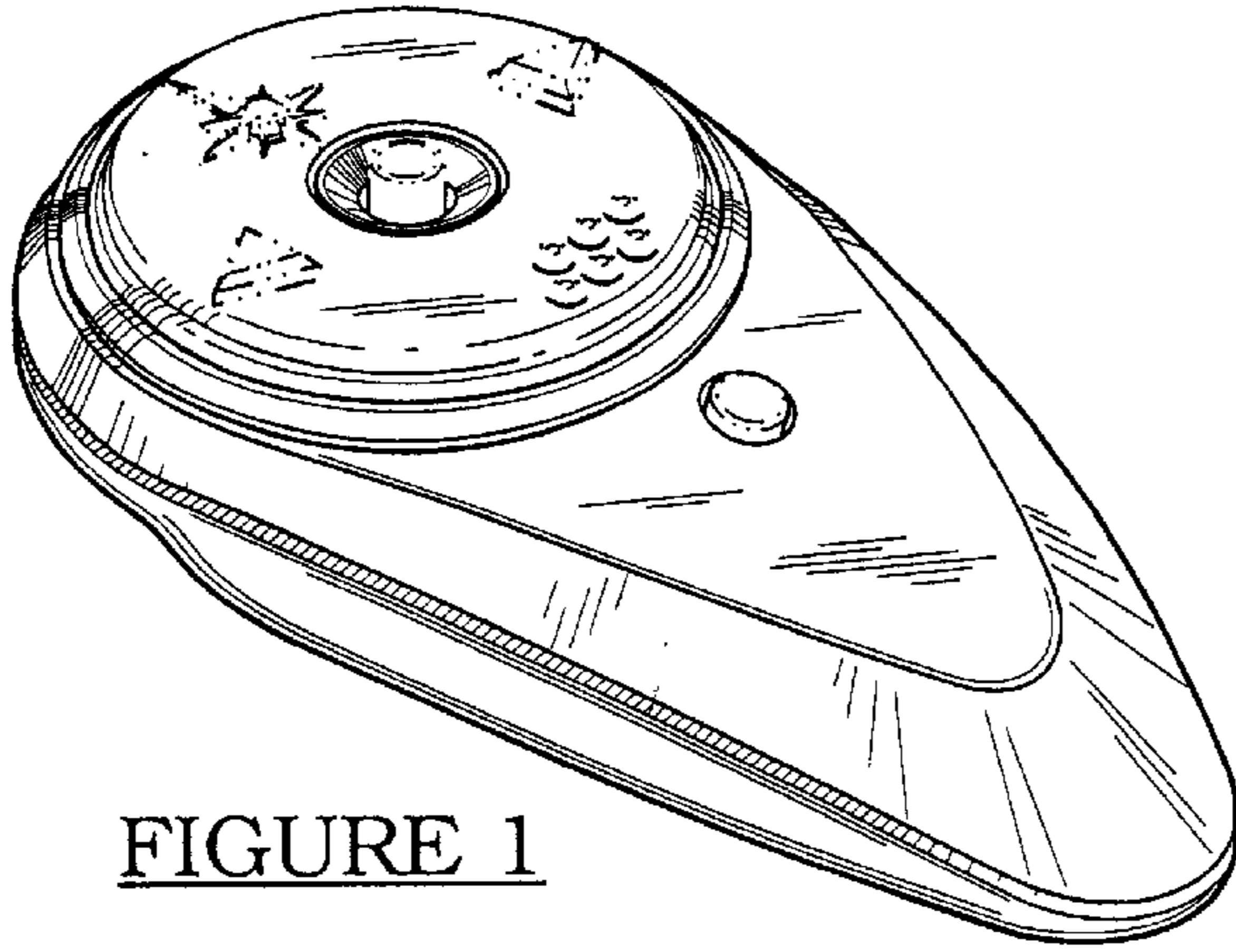


FIGURE 1

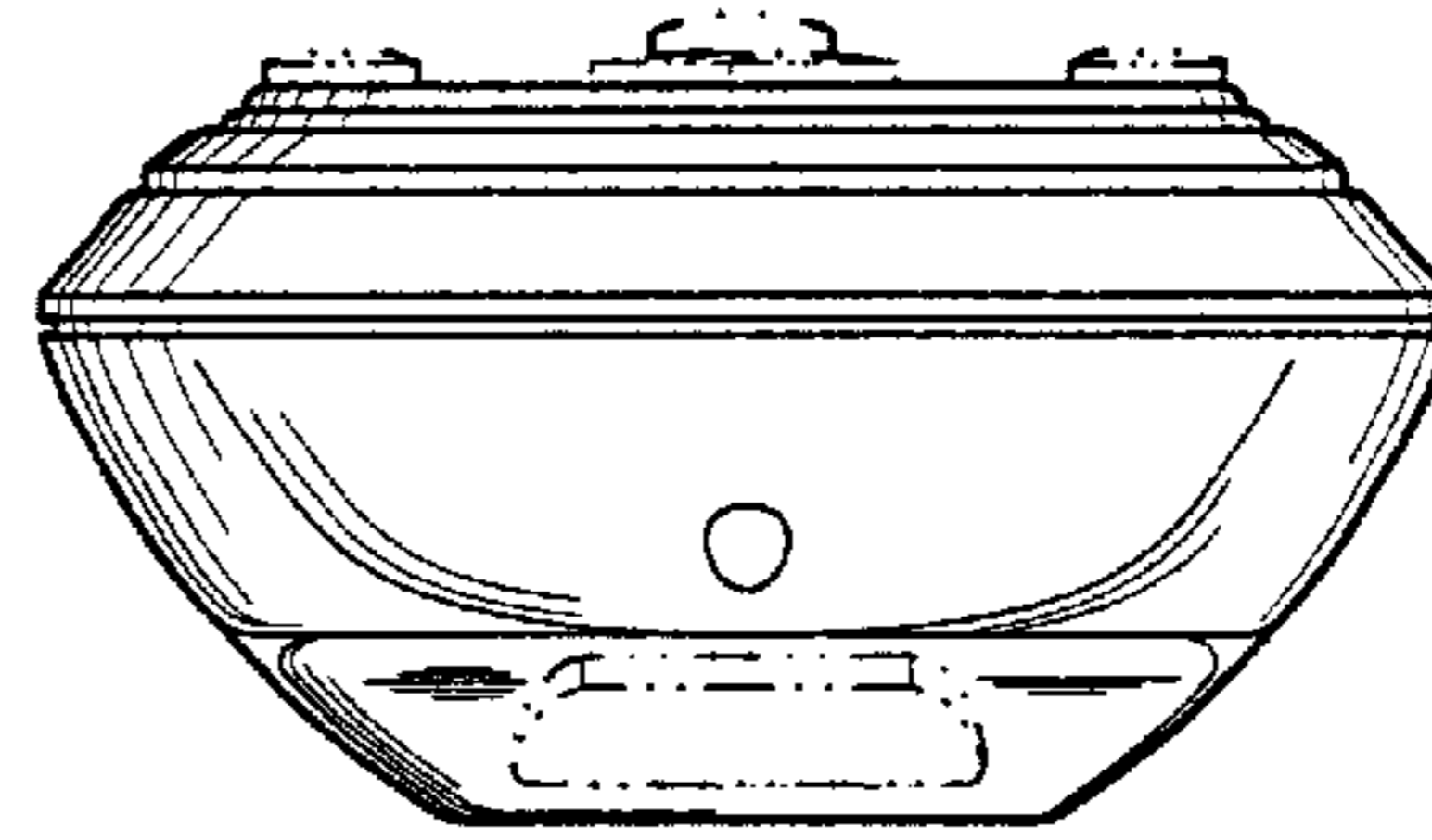


FIGURE 5

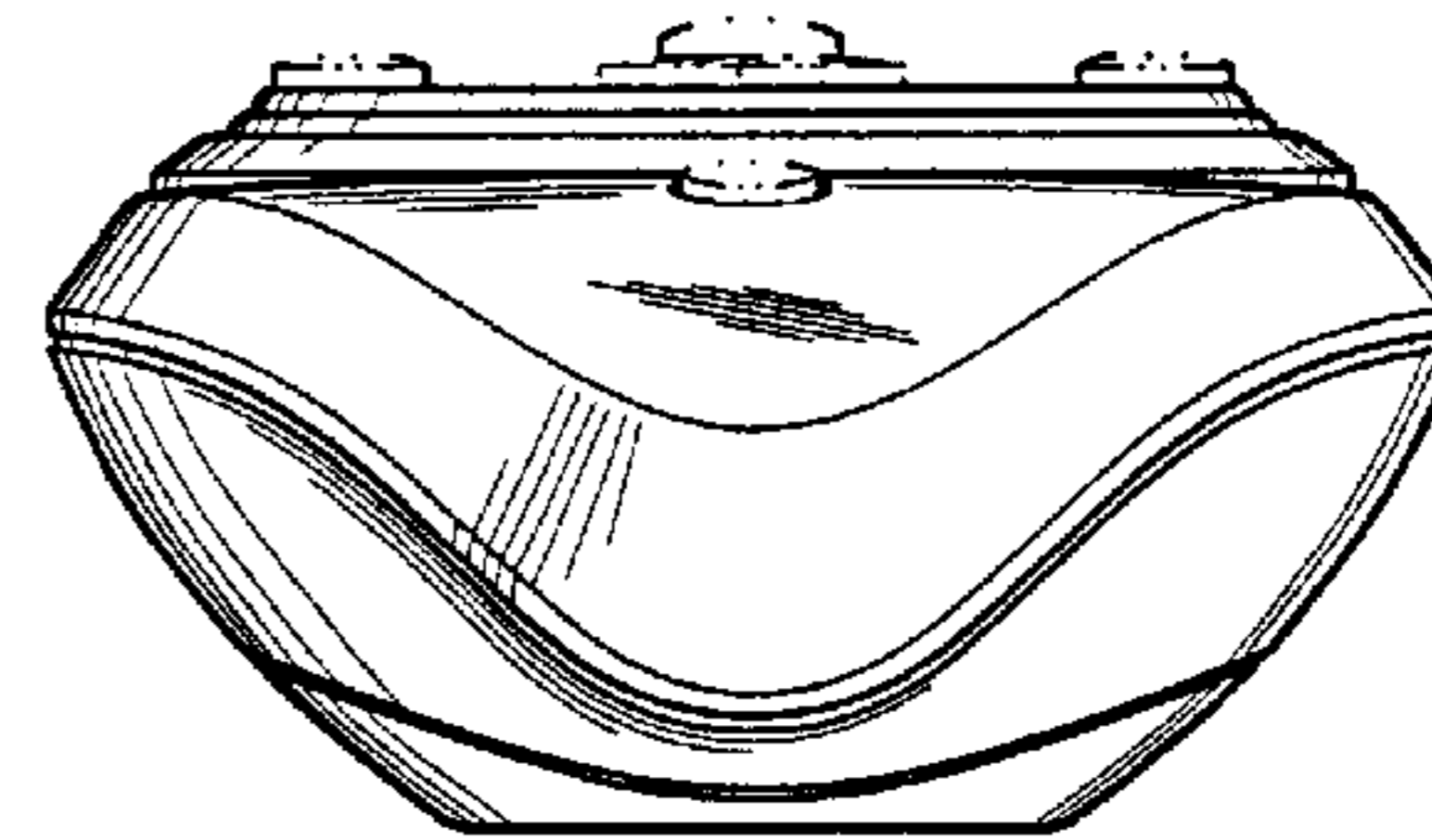


FIGURE 6

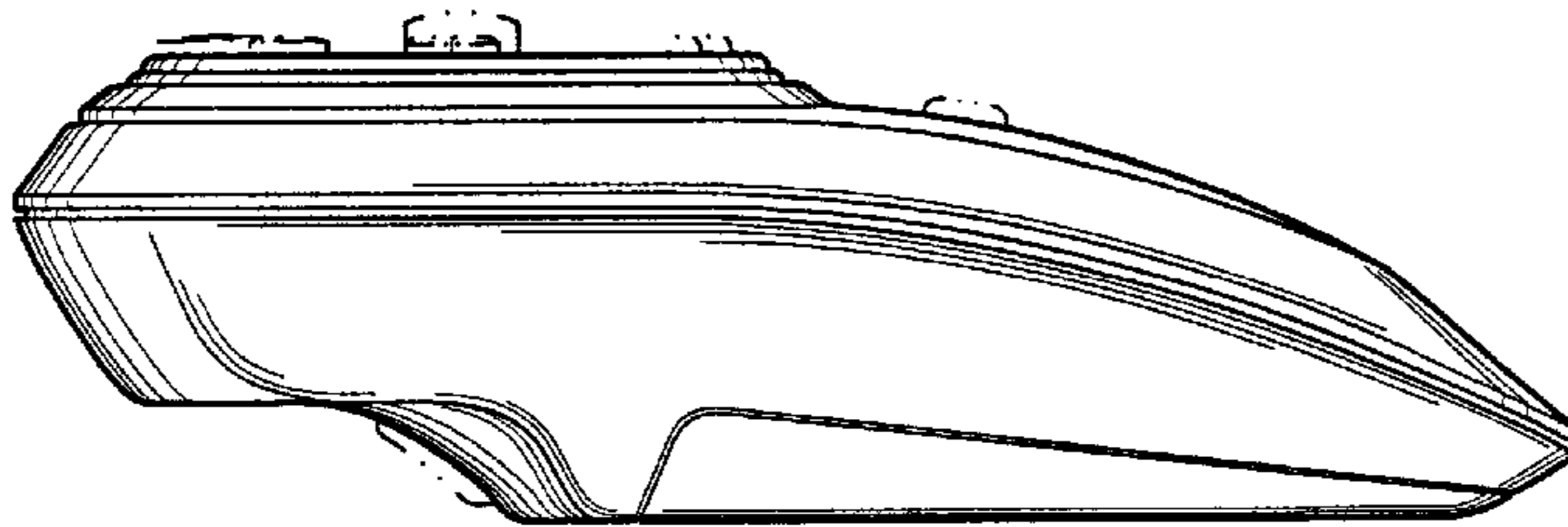


FIGURE 4

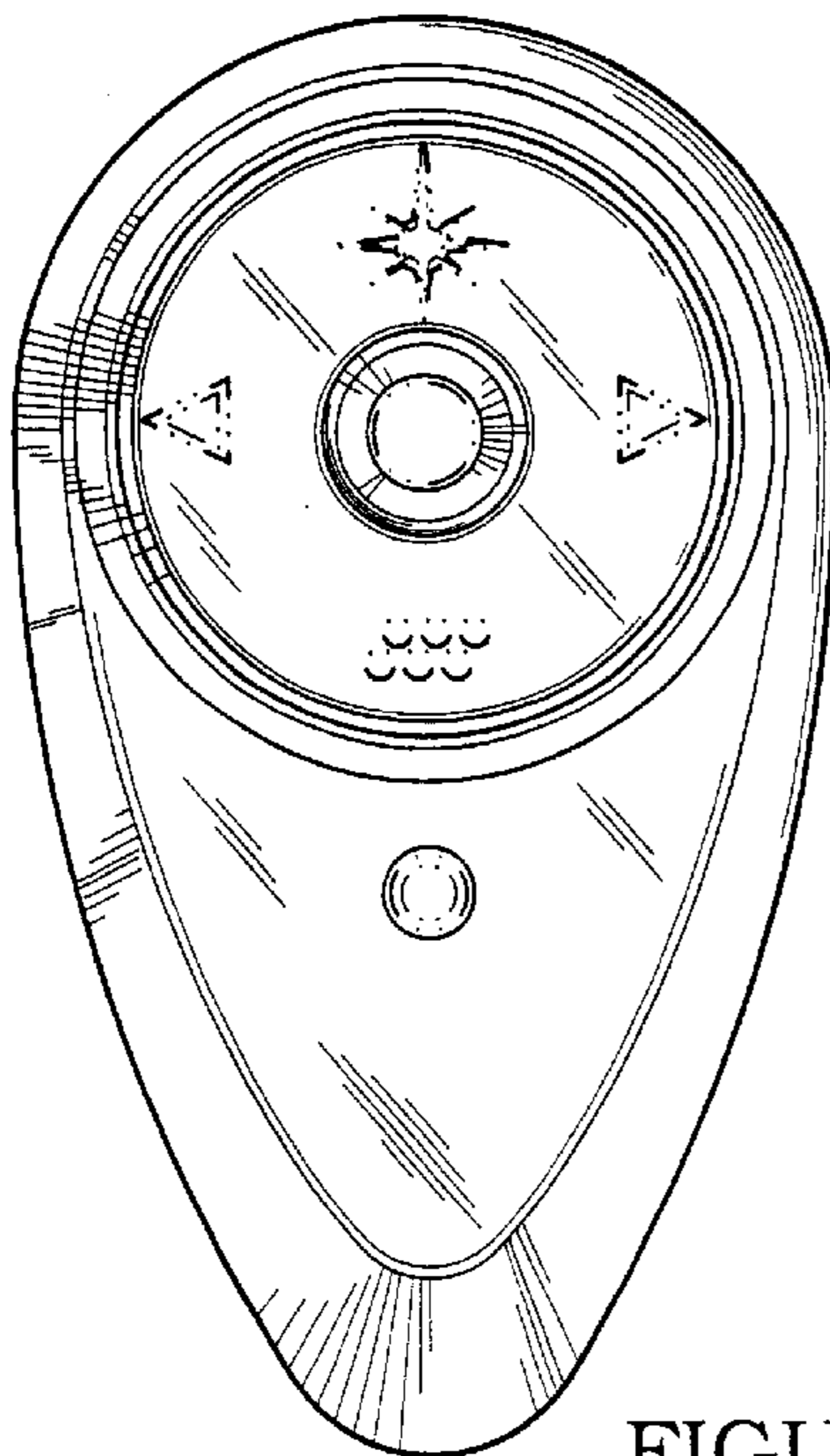


FIGURE 2

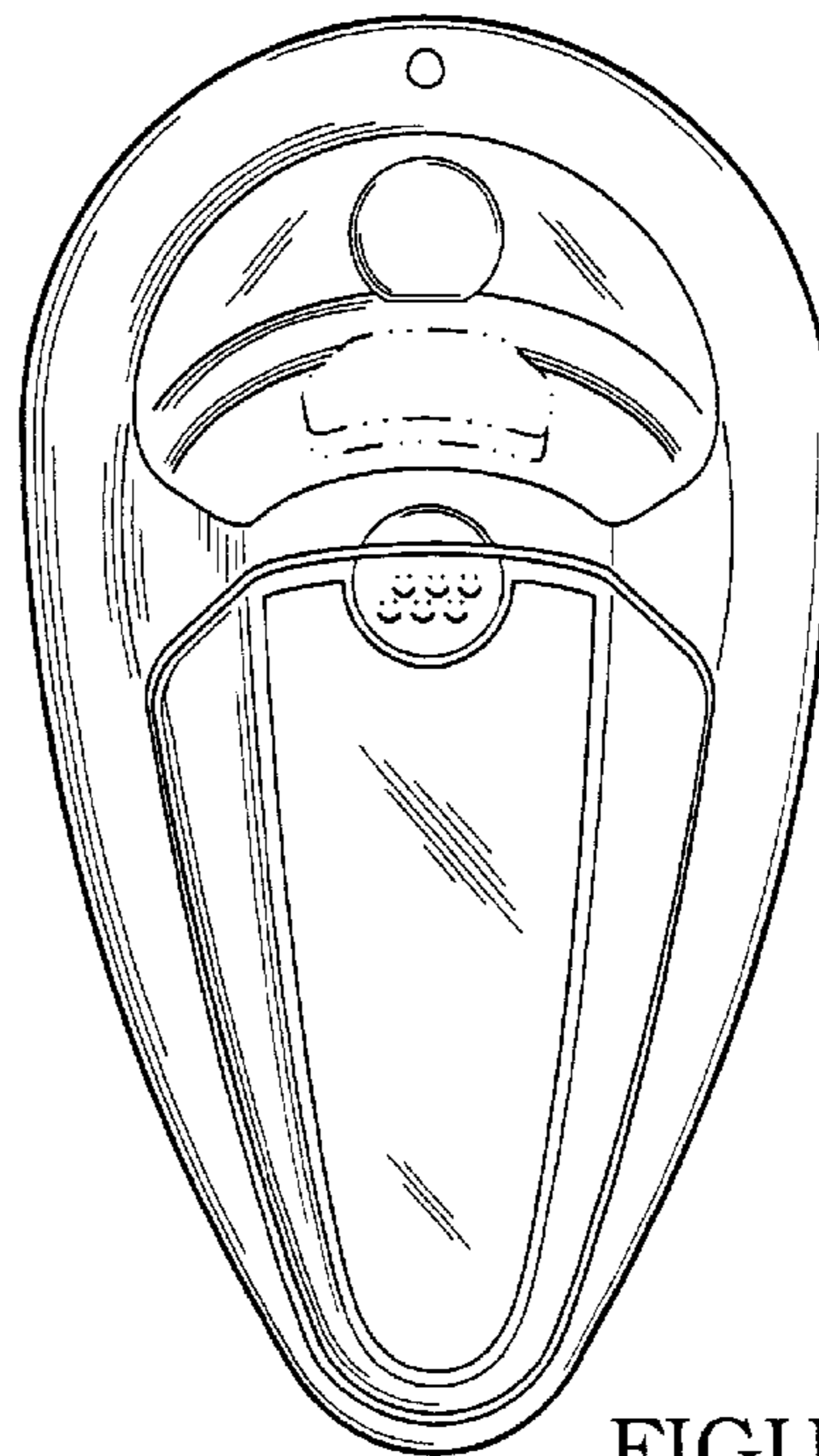


FIGURE 3

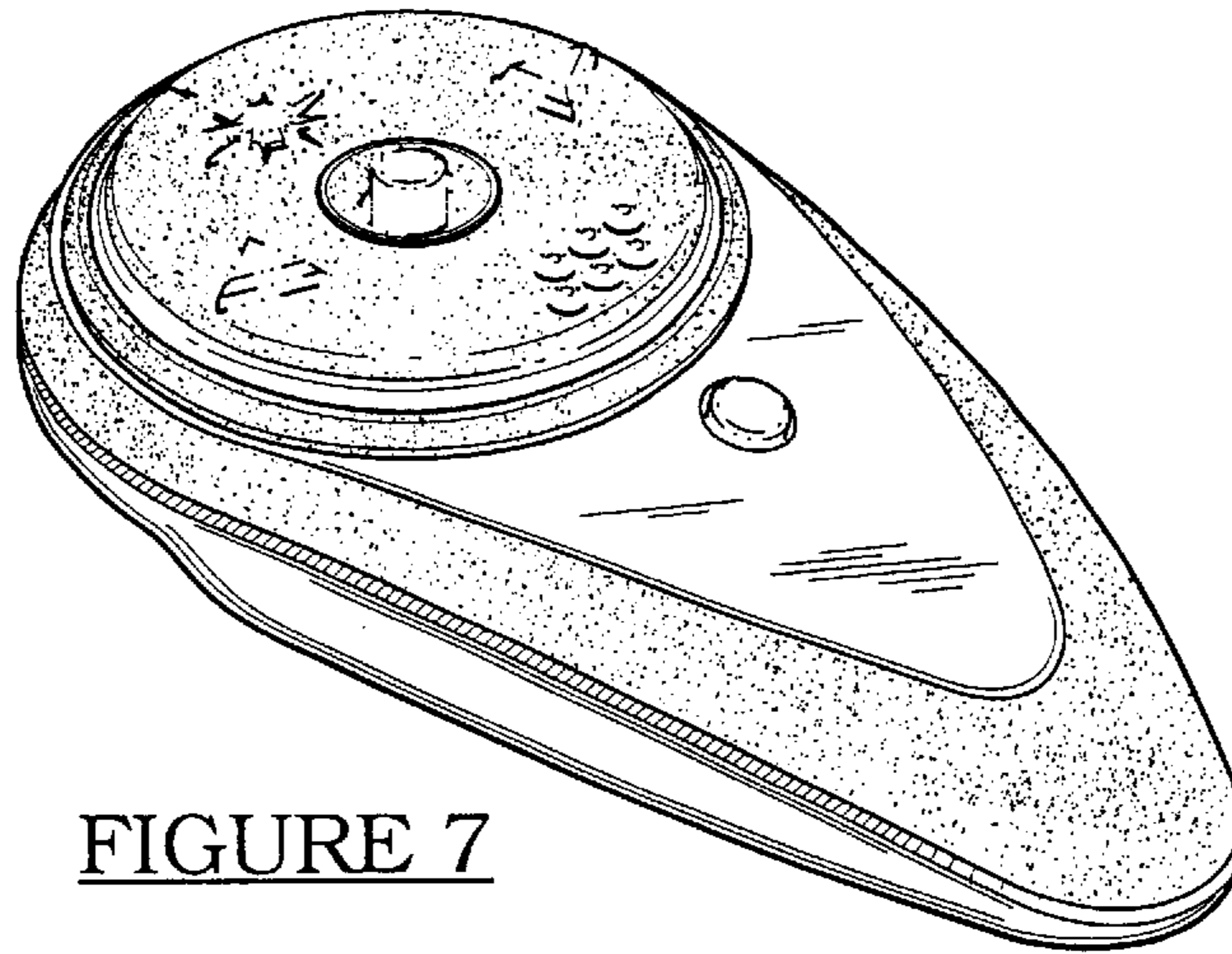


FIGURE 7

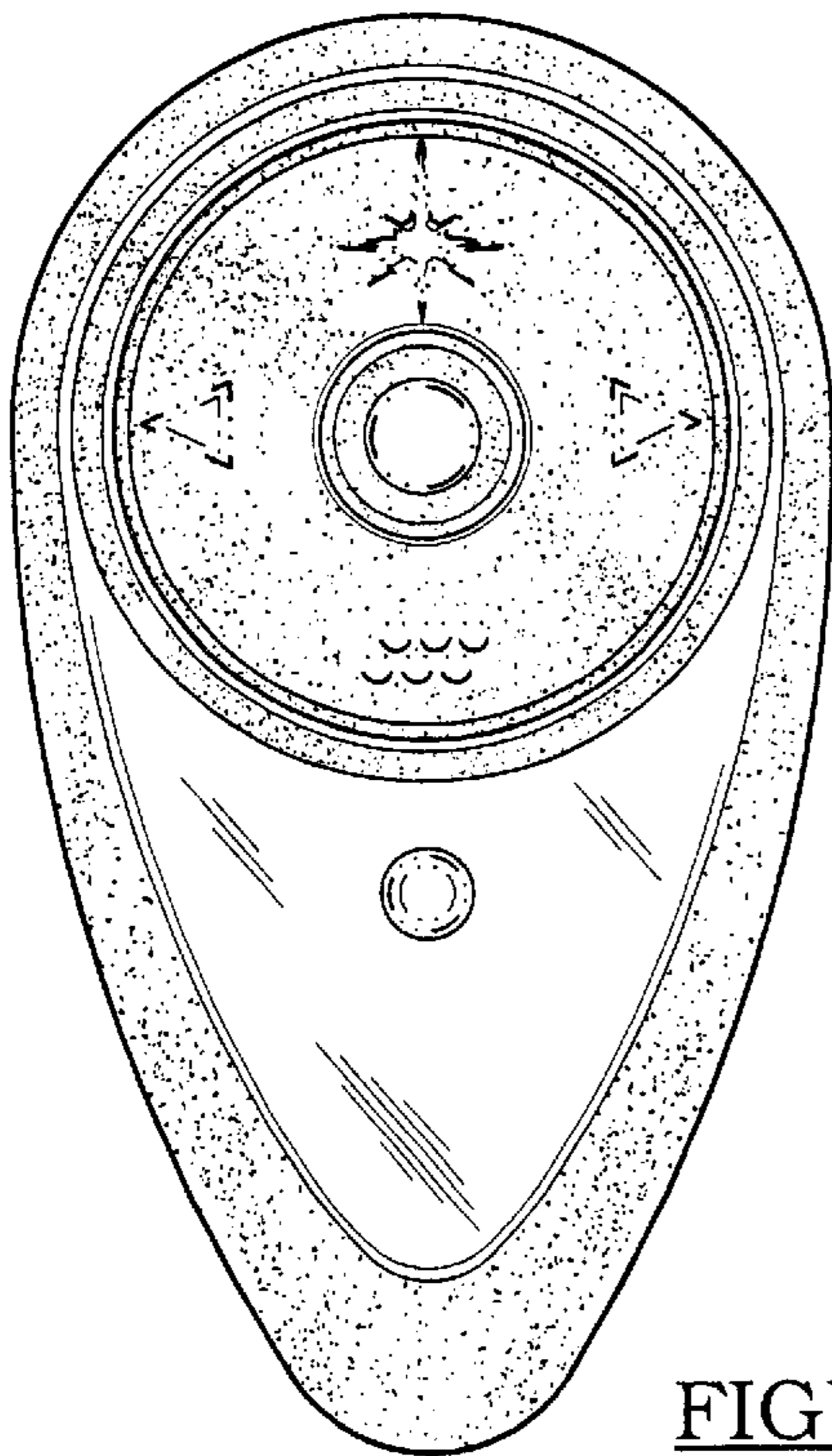


FIGURE 8

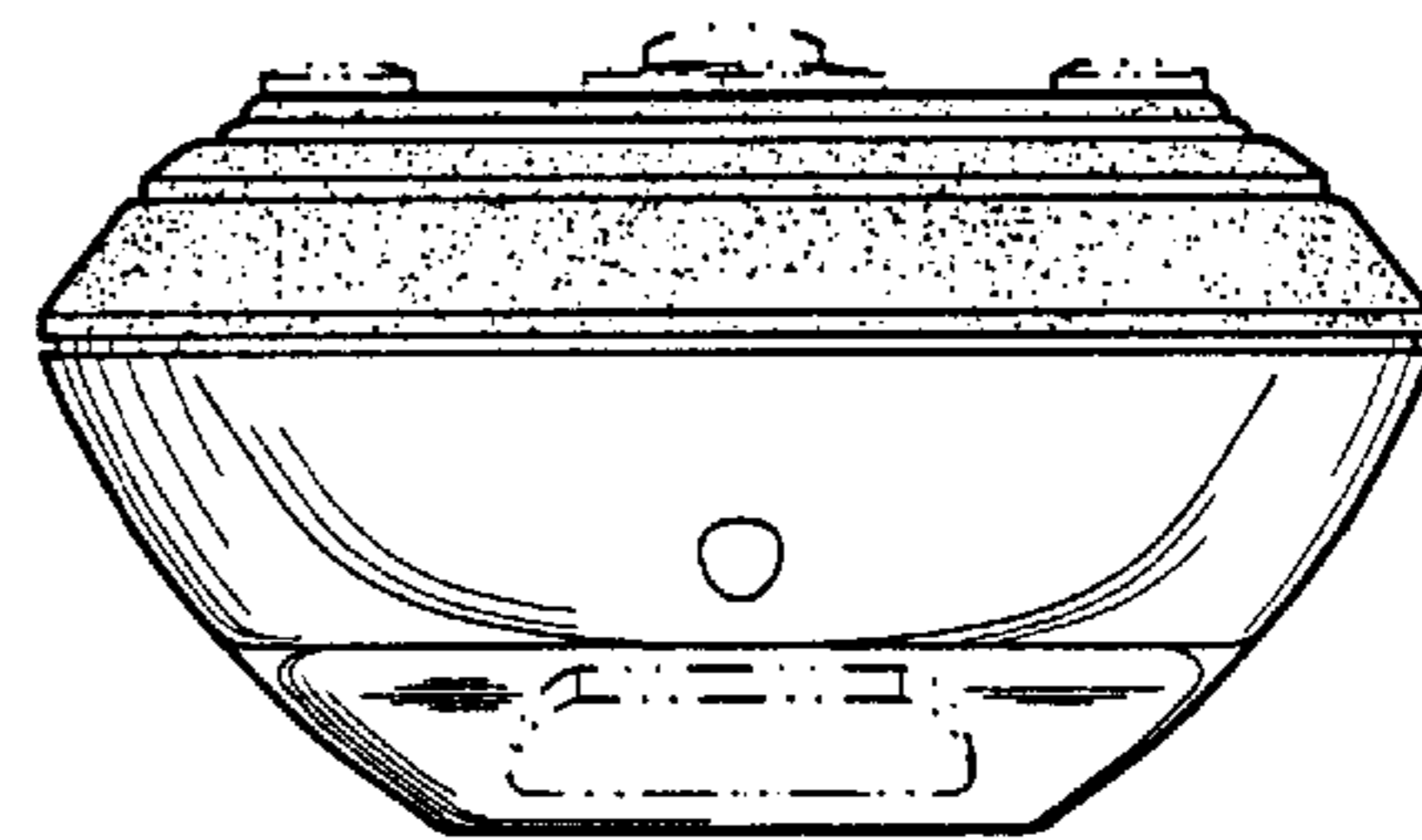


FIGURE 10

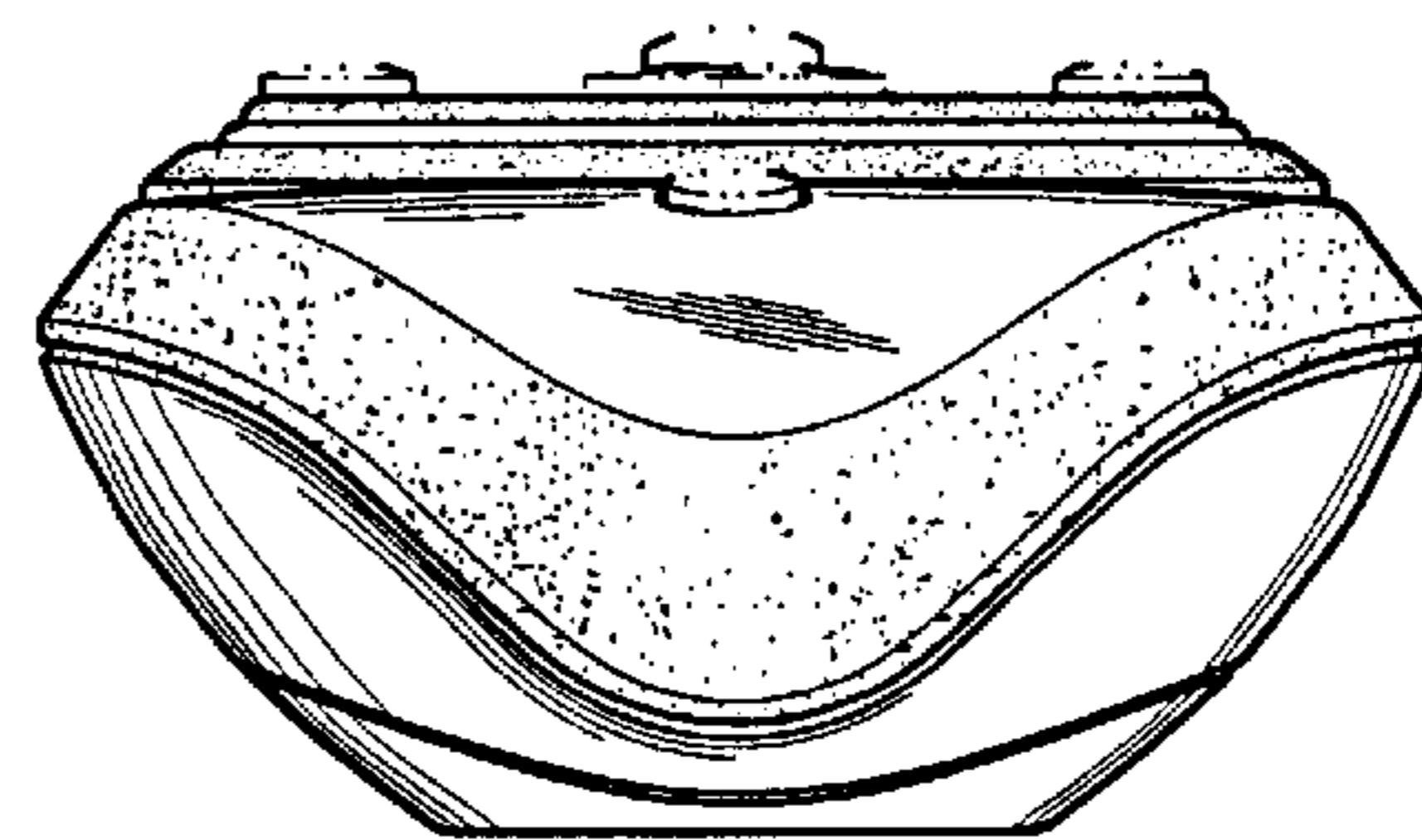


FIGURE 11

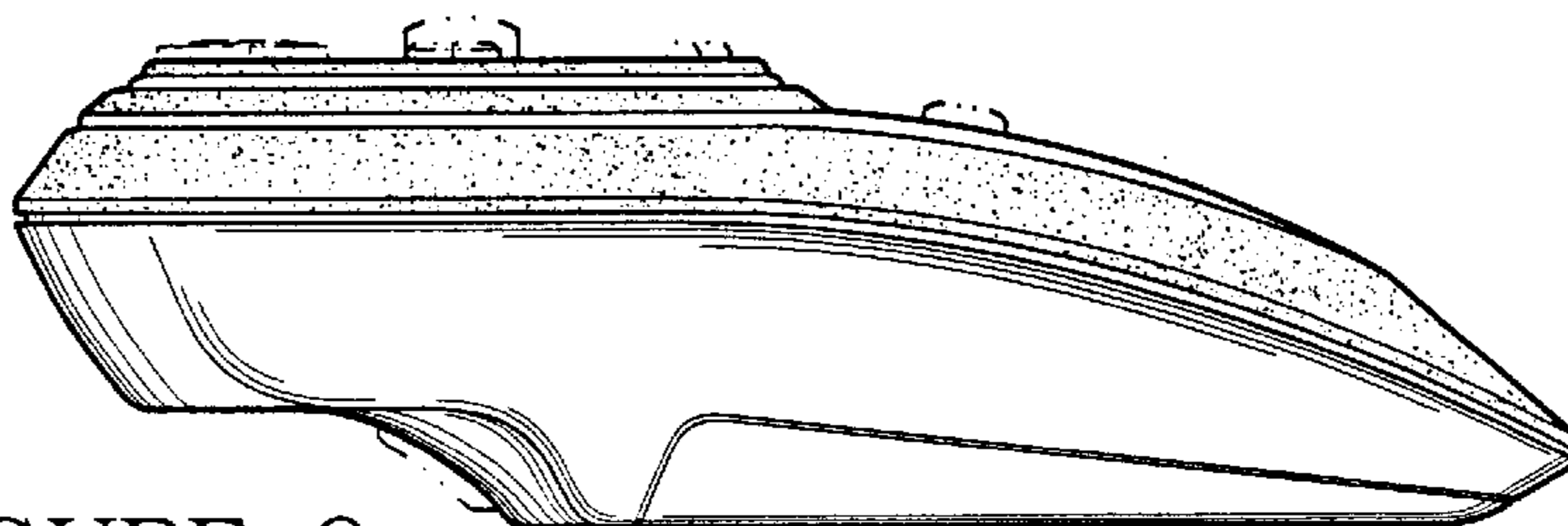


FIGURE 9