

US00D493148S1

(12) **United States Design Patent**  
**Shibata et al.**

(10) **Patent No.:** **US D493,148 S**  
(45) **Date of Patent:** **\*\* Jul. 20, 2004**

(54) **REMOTE CONTROLLER FOR AIR  
CONDITIONER**

6,315,211 B1 \* 11/2001 Sartain et al. .... 236/46 R  
D460,053 S \* 7/2002 Choi ..... D13/168  
6,435,418 B1 \* 8/2002 Toth et al. .... 236/94

(75) Inventors: **Kumiko Shibata**, Nagoya (JP);  
**Kouichi Kishita**, Nagoya (JP); **Yukari  
Ishida**, Nishi-kasugai-gun (JP)

\* cited by examiner

(73) Assignee: **Mitsubishi Heavy Industries, Ltd.**,  
Tokyo (JP)

*Primary Examiner*—Philip S. Hyder  
*Assistant Examiner*—Selina Sikder  
(74) *Attorney, Agent, or Firm*—Oblon, Spivak, McClelland,  
Maier & Neustadt, P.C.

(\*\*) Term: **14 Years**

(57) **CLAIM**

(21) Appl. No.: **29/178,493**

The ornamental design for a remote controller for air conditioner, as shown and described.

(22) Filed: **Mar. 28, 2003**

**DESCRIPTION**

(30) **Foreign Application Priority Data**

Nov. 1, 2002 (JP) ..... 2002-030168

(51) **LOC (7) Cl.** ..... **13-03**

(52) **U.S. Cl.** ..... **D13/168**

(58) **Field of Search** ..... D13/162, 168;  
D10/49, 50; 165/11.1, 43, 200, 217, 238,  
265; 236/46 R, 47, 94; 337/112, 320, 360,  
380, 381, 414; 200/275, 276, 278, 300,  
301

FIG. 1 is a front view of the remote controller for air conditioner showing our new design;  
FIG. 2 is a rear view thereof;  
FIG. 3 is a right side view thereof;  
FIG. 4 is a left side view thereof;  
FIG. 5 is a top (plan) view thereof;  
FIG. 6 is a bottom side view thereof;  
FIG. 7 is a sectional view taken along line 7—7 of FIG. 1 with the internal mechanism omitted;  
FIG. 8 is a sectional view taken along line 8—8 of FIG. 1 with the internal mechanism omitted;  
FIG. 9 is a front elevation view of FIG. 1, where the lid is opened;  
FIG. 10 is a side elevation view of FIG. 3, where the lid is opened; and,  
FIG. 11 is a front elevation view of FIG. 1 of an open lid state and an electrified state.

(56) **References Cited**

**U.S. PATENT DOCUMENTS**

5,107,918 A \* 4/1992 McFarlane et al. .... 165/238  
5,482,209 A \* 1/1996 Cochran et al. .... 236/46 R  
5,586,048 A \* 12/1996 Coveley ..... 702/189  
5,720,176 A \* 2/1998 Manson et al. .... 62/89  
D412,672 S \* 8/1999 Ohlwine et al. .... D10/50  
D449,586 S \* 10/2001 Aketa et al. .... D13/168

**1 Claim, 11 Drawing Sheets**

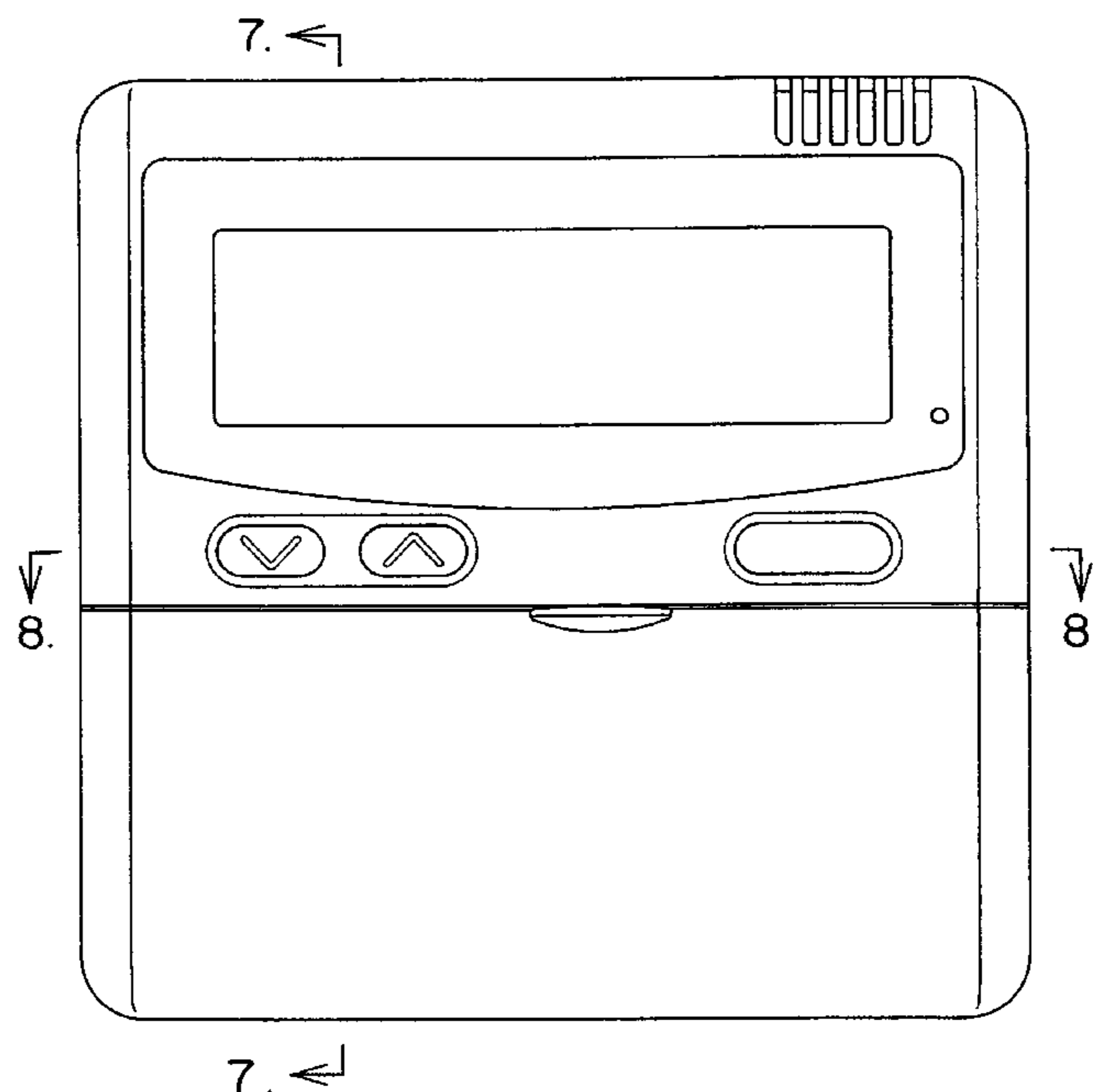


FIG. 1

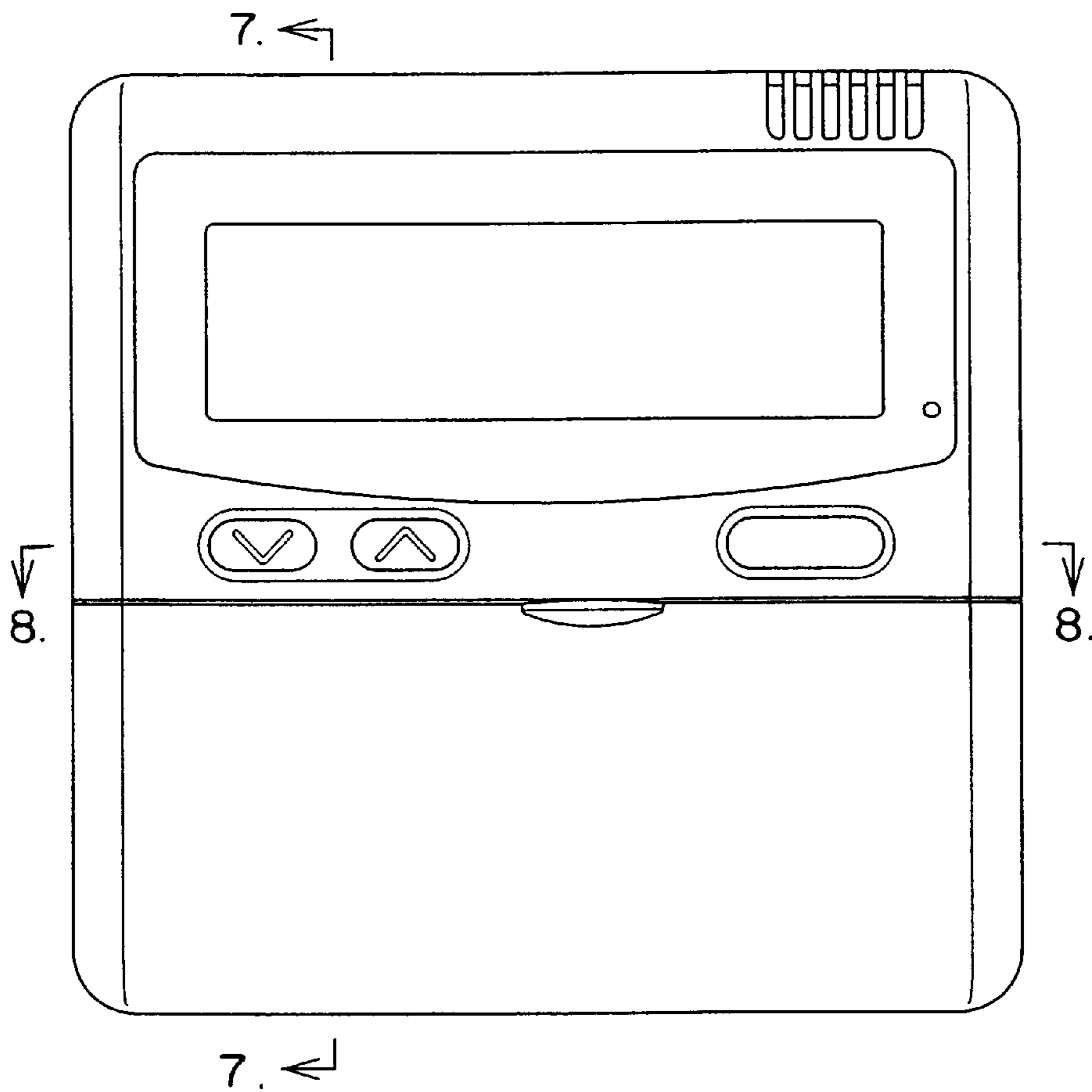


FIG. 2

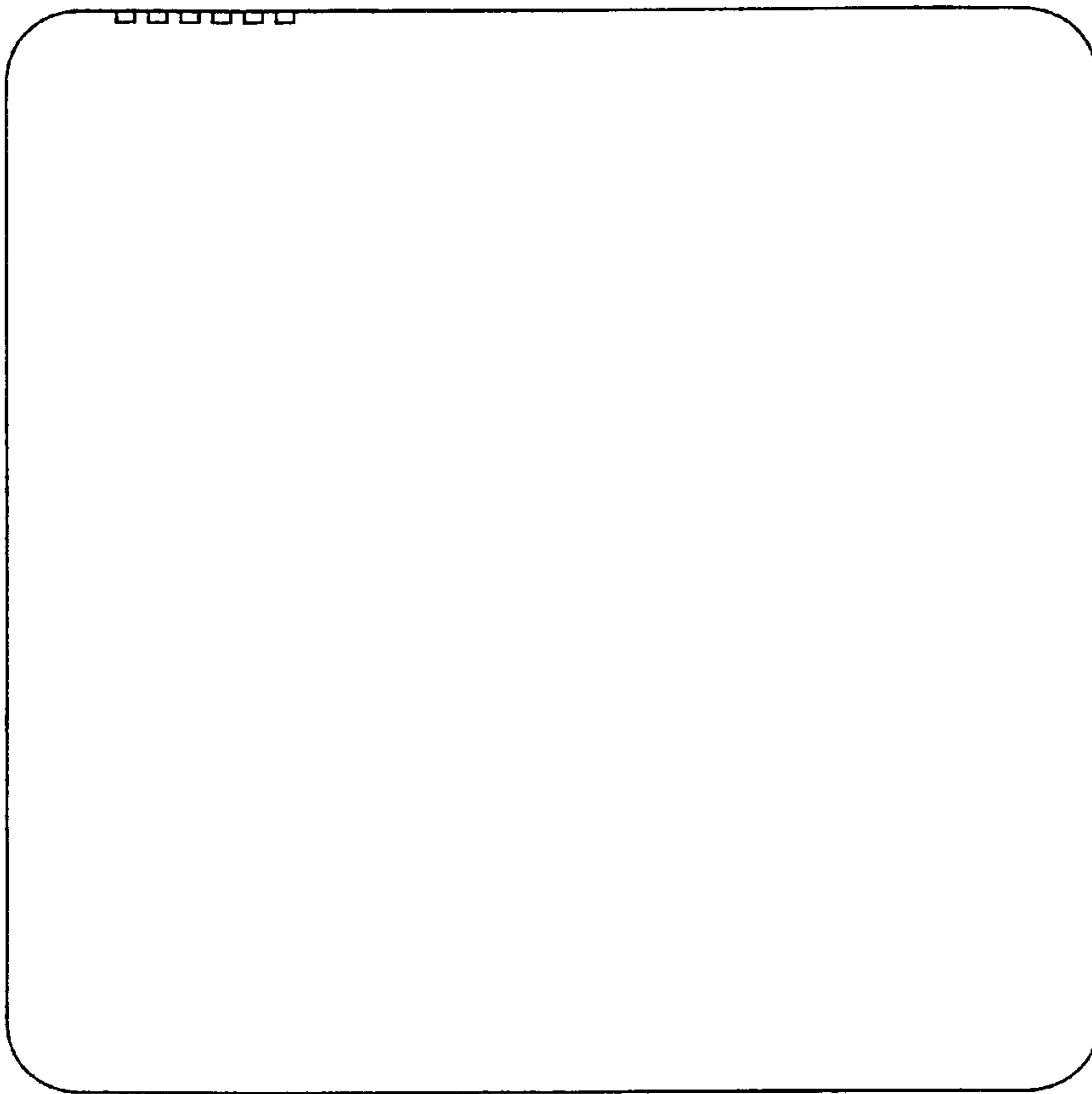


FIG. 3

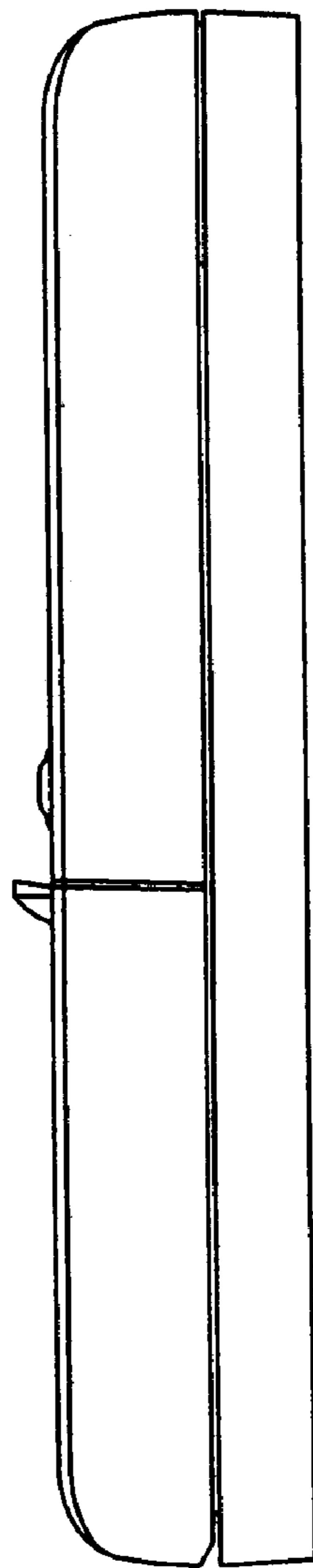


FIG. 4

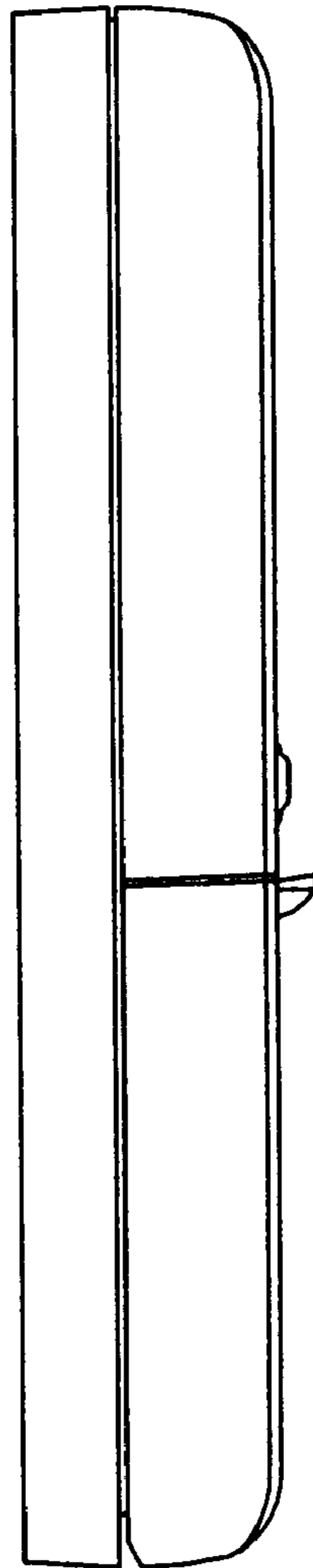


FIG. 5

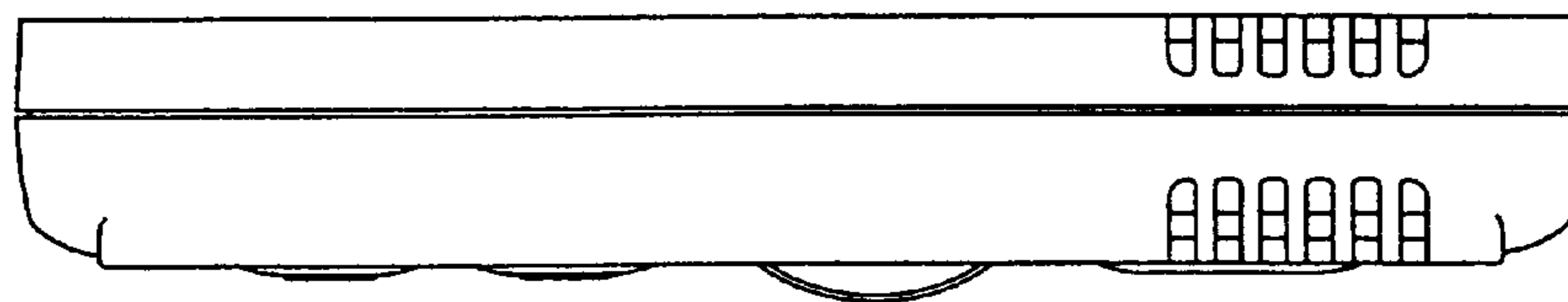


FIG. 6

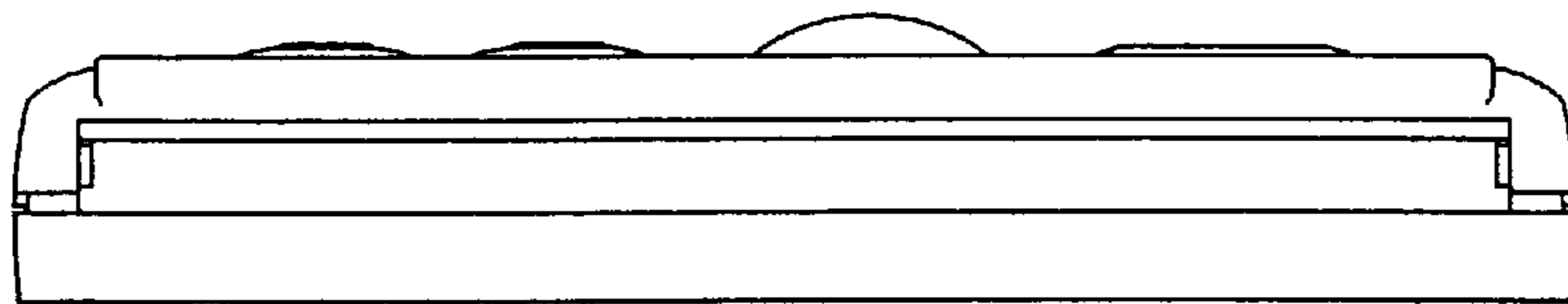


FIG. 7

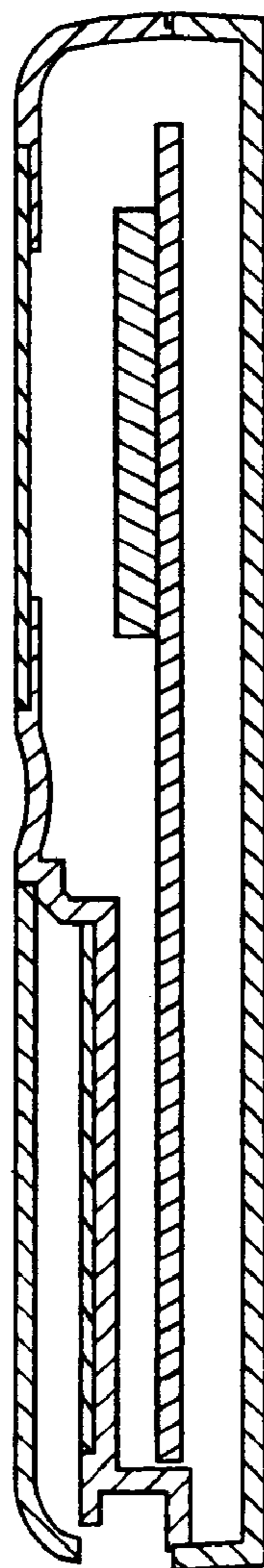




FIG. 8

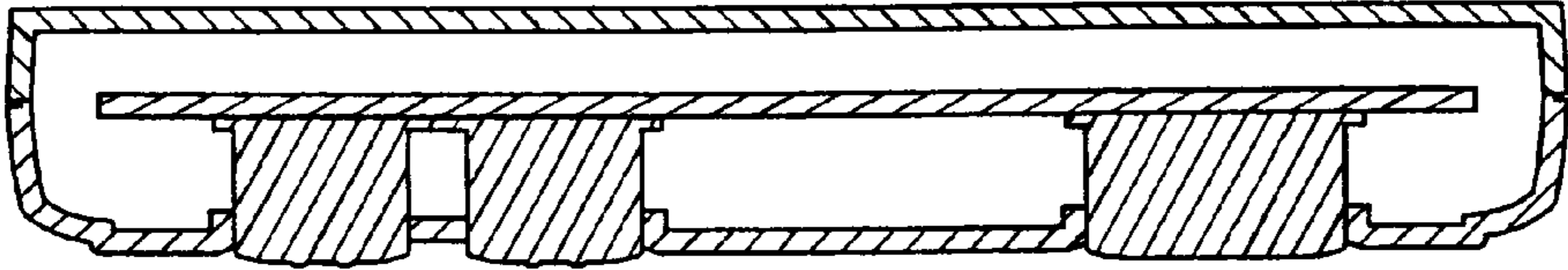


FIG. 9

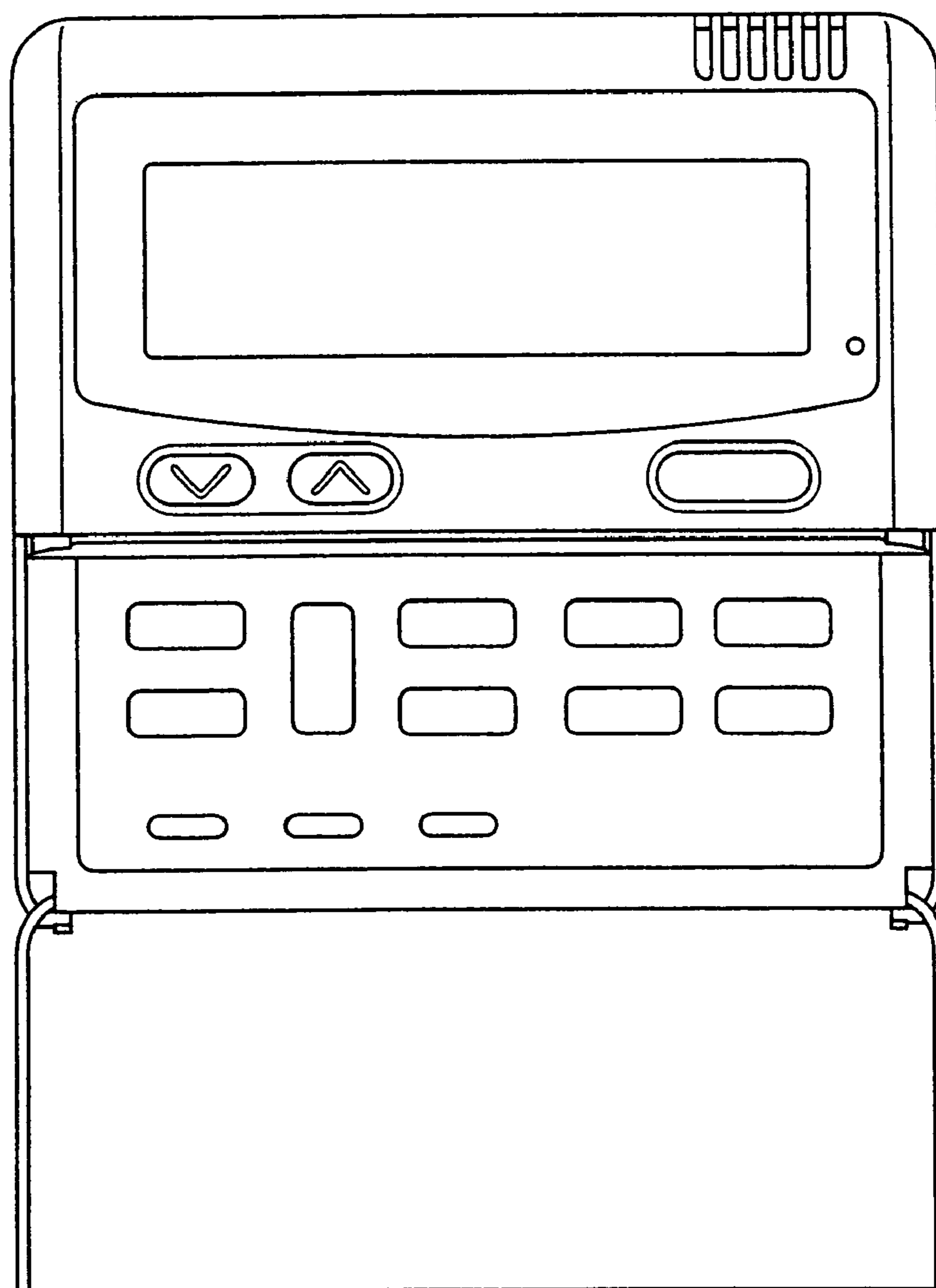


FIG. 10

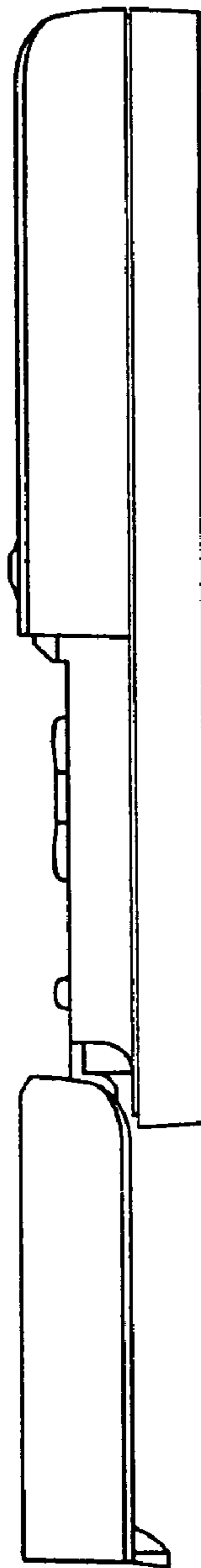


FIG. 11

