

US00D493146S1

(12) **United States Design Patent** (10) Patent No.: **US D493,146 S**  
**Brett et al.** (45) Date of Patent: **\*\* Jul. 20, 2004**

(54) **CONTROL PANEL**

(75) Inventors: **Stephen David Brett**, Swanley Village (GB); **Dean Antrobus**, Chelmsford (GB); **Oliver Grabes**, London (GB); **Tim Manson**, London (GB)

(73) Assignee: **Pandora International Limited**, Kent (GB)

(\*\*) Term: **14 Years**

(21) Appl. No.: **29/168,527**

(22) Filed: **Oct. 4, 2002**

(30) **Foreign Application Priority Data**

Apr. 5, 2002 (GB) ..... 3002774

(51) **LOC (7) Cl.** ..... **13-03**

(52) **U.S. Cl.** ..... **D13/164**

(58) **Field of Search** ..... D13/158, 162, D13/164, 184; D10/46, 49, 52, 96, 106; D14/115, 218; 200/825.22, 825.24, 825.29, 825.31, 825.72; 345/160, 161; 361/679, 680; 455/151.2, 151.3, 151.4; 700/18, 20, 25, 27, 32, 278

(56) **References Cited**

**U.S. PATENT DOCUMENTS**

D280,893 S	*	10/1985	Ueda	.....	D13/164
D323,647 S	*	2/1992	Schott et al.	.....	D13/162
D343,827 S	*	2/1994	Piret	.....	D13/164
D360,404 S	*	7/1995	Cotten et al.	.....	D13/164
D398,289 S	*	9/1998	Burke	.....	D13/162
D416,544 S	*	11/1999	Jordan	.....	D13/162
6,538,642 B2	*	3/2003	Tsai	.....	345/168

\* cited by examiner

*Primary Examiner*—Philip S. Hyder

*Assistant Examiner*—Selina Sikder

(74) *Attorney, Agent, or Firm*—Bacon & Thomas, PLLC

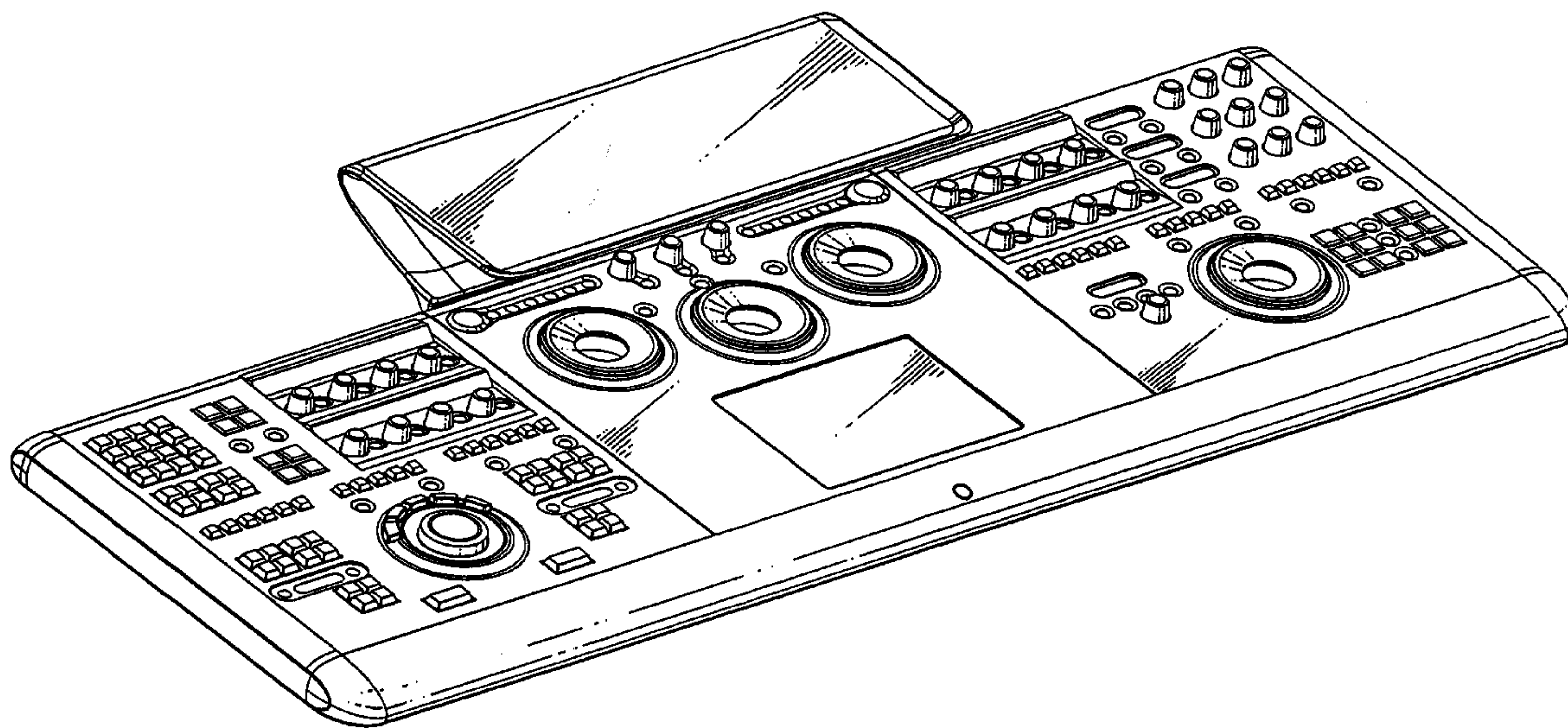
(57) **CLAIM**

The ornamental design for a control panel, as shown and described.

**DESCRIPTION**

FIG. 1 is an upper left perspective view of our new design for a control panel; FIG. 2 is a front elevational view thereof; and, FIG. 3 is a top plan view thereof.

**1 Claim, 2 Drawing Sheets**



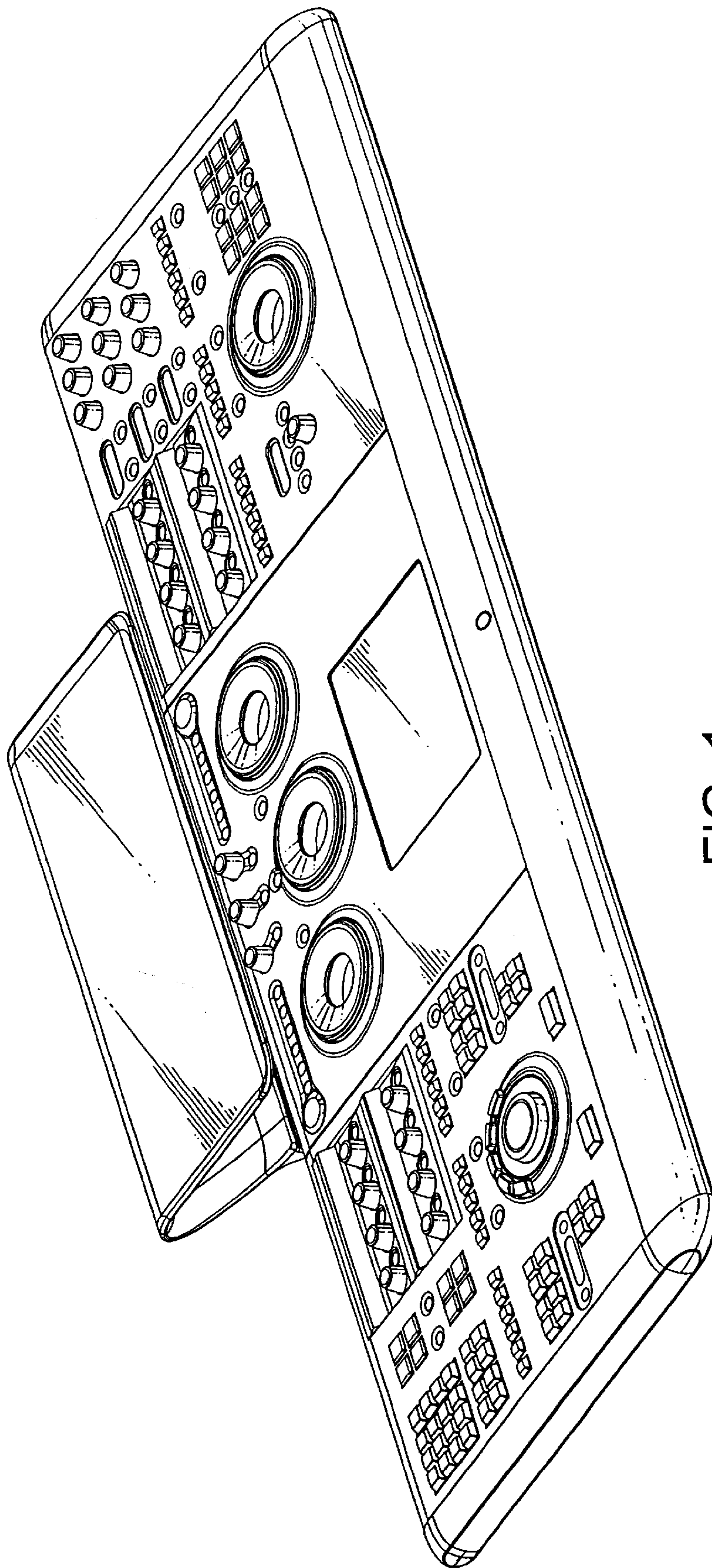


FIG. 1



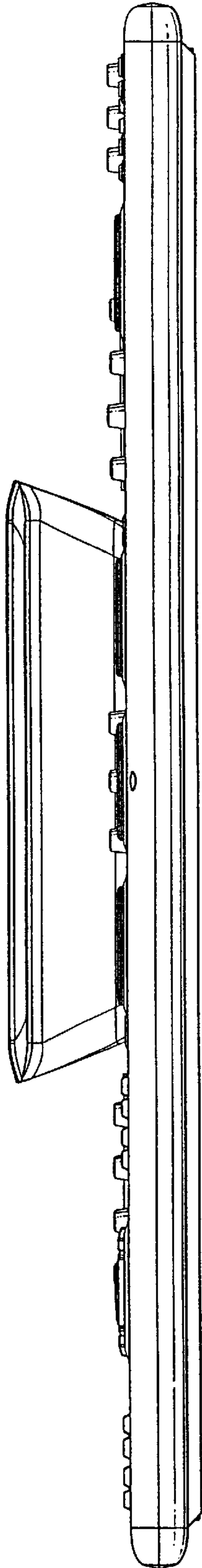


FIG. 2

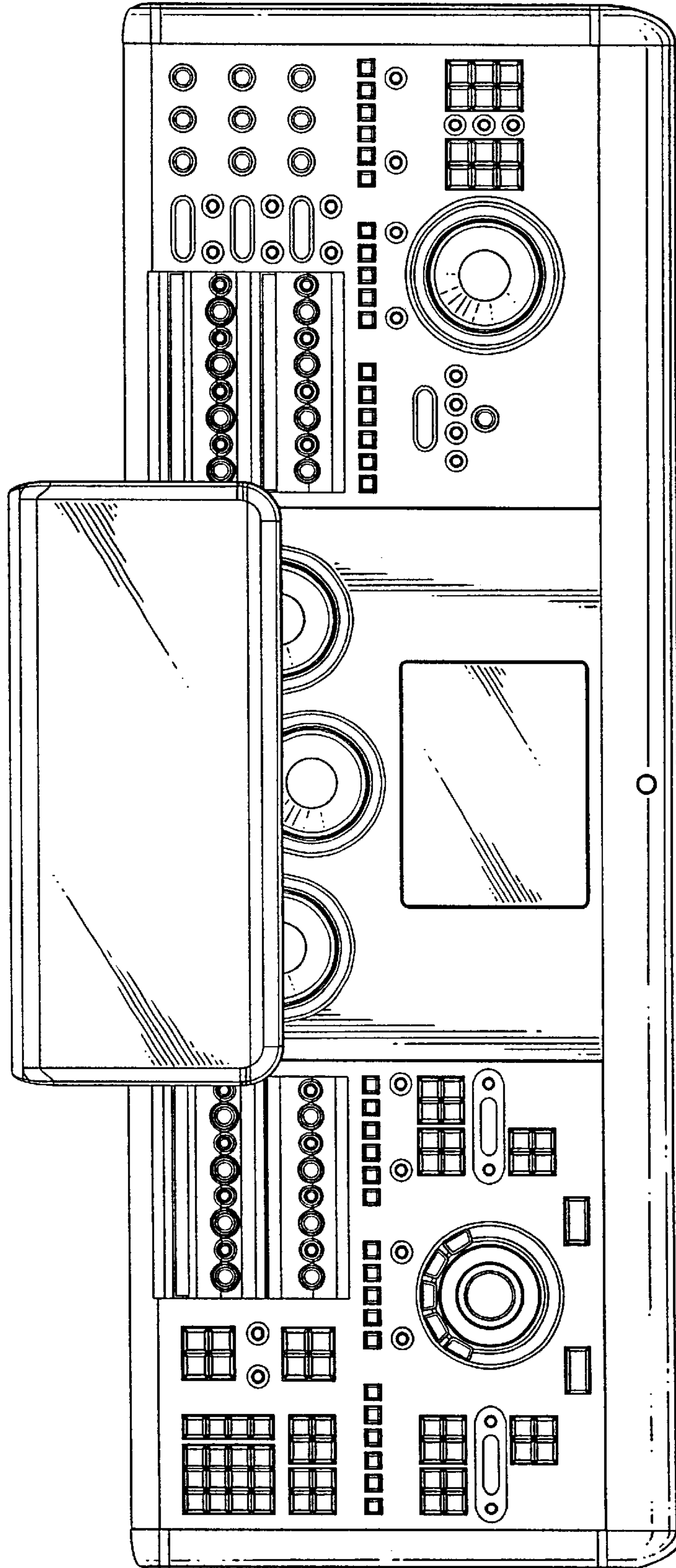


FIG. 3