

US00D493144S1

(12) **United States Design Patent**  
**Cheng et al.**

(10) **Patent No.:** **US D493,144 S**  
(45) **Date of Patent:** **\*\* Jul. 20, 2004**

(54) **CABLE ASSEMBLY**

(75) Inventors: **Chung-Ta Cheng**, Santa Clara, CA  
(US); **Jie Cheng**, Kunsan (CN)

(73) Assignee: **Hon Hai Precision Ind. Co., Ltd.**,  
Taipei Hsien (TW)

(\*\*) Term: **14 Years**

(21) Appl. No.: **29/186,615**

(22) Filed: **Jul. 18, 2003**

(51) **LOC (7) Cl.** ..... **13-03**

(52) **U.S. Cl.** ..... **D13/147**

(58) **Field of Search** ..... D13/133, 146,  
D13/147; 439/304, 459, 502, 582, 607-610,  
620, 687, 694, 696, 844, 854, 855

(56) **References Cited**

**U.S. PATENT DOCUMENTS**

4,508,414 A \* 4/1985 Kusui et al. .... 439/610  
D363,700 S \* 10/1995 Buongervino et al. .... D13/147  
D416,868 S \* 11/1999 Tsai ..... D13/153

D442,553 S \* 5/2001 Urban et al. .... D13/153  
D454,841 S \* 3/2002 Nakashima et al. .... D13/146

\* cited by examiner

*Primary Examiner*—Nanda Bondade

*Assistant Examiner*—Selina Sikder

(74) *Attorney, Agent, or Firm*—Wei Te Chung

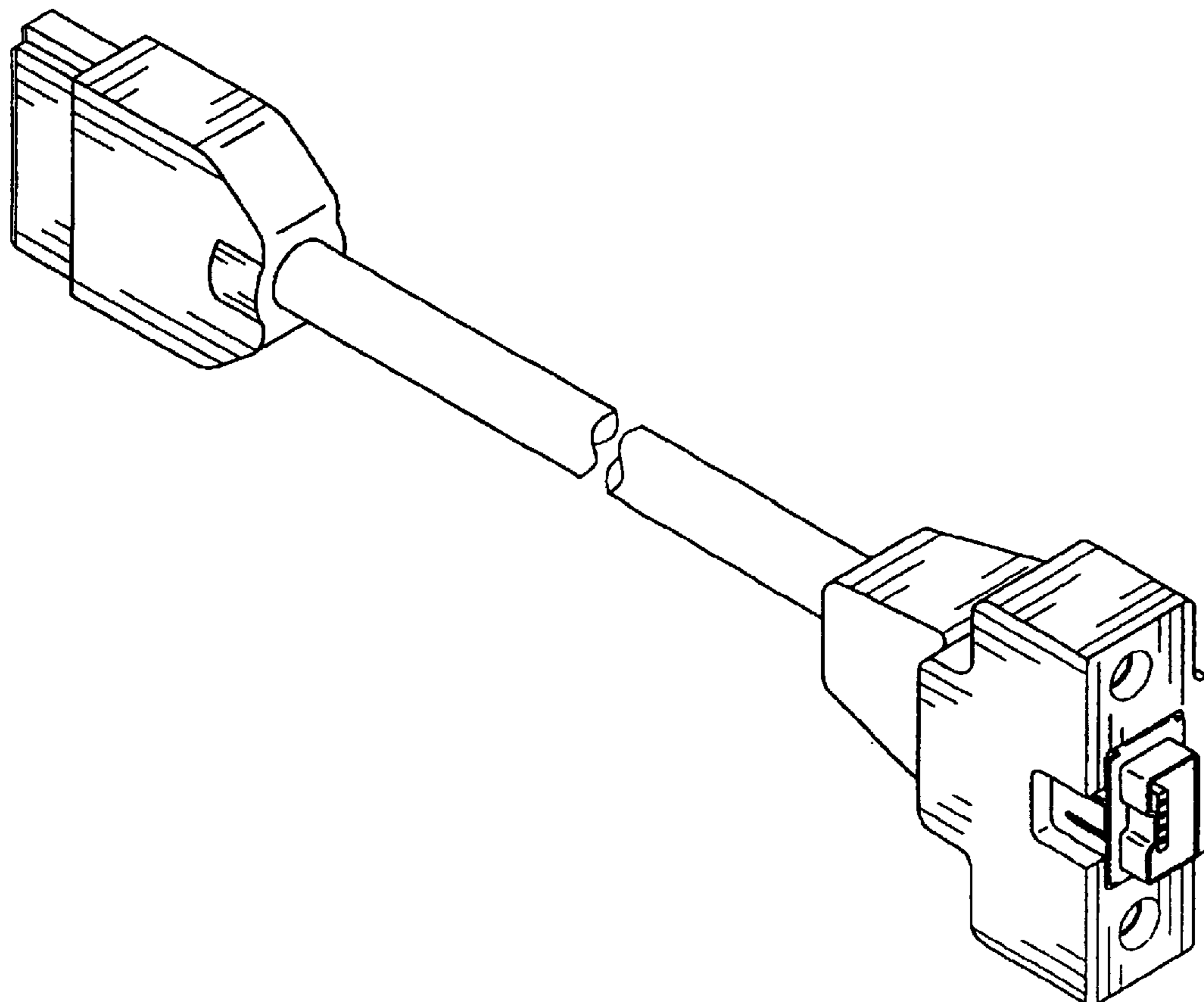
(57) **CLAIM**

The ornamental design for a cable assembly, as shown and described.

**DESCRIPTION**

FIG. 1 is a front, top and right side perspective view of a cable assembly showing my new design; FIG. 2 is a front elevational view thereof; FIG. 3 is a rear elevational view thereof; FIG. 4 is a left side elevational view thereof; FIG. 5 is a right side elevational view thereof; FIG. 6 is a top plan view thereof; and, FIG. 7 is a bottom plan view thereof. The cable is shown broken away to indicate indeterminate length.

**1 Claim, 7 Drawing Sheets**



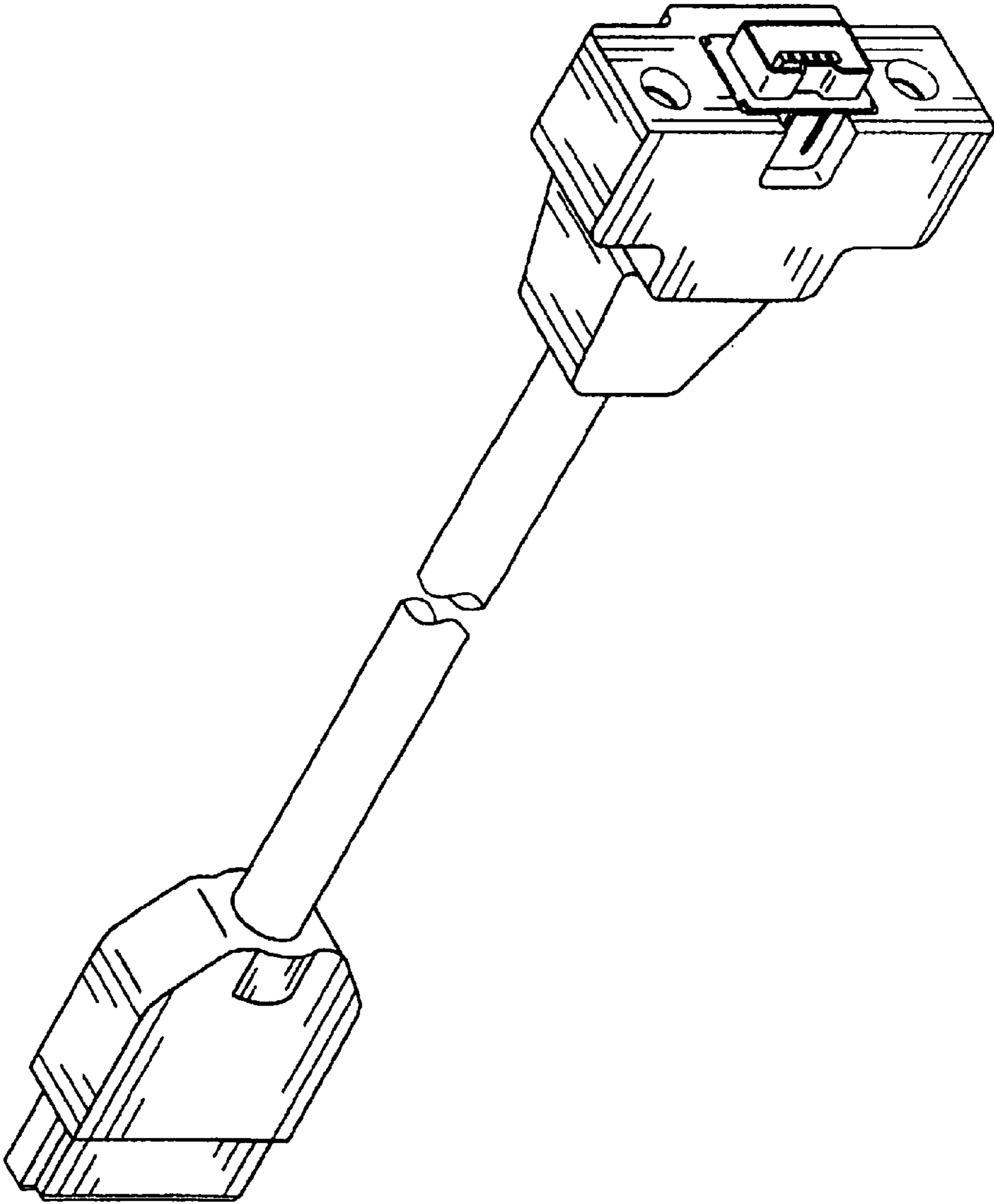


FIG. 1

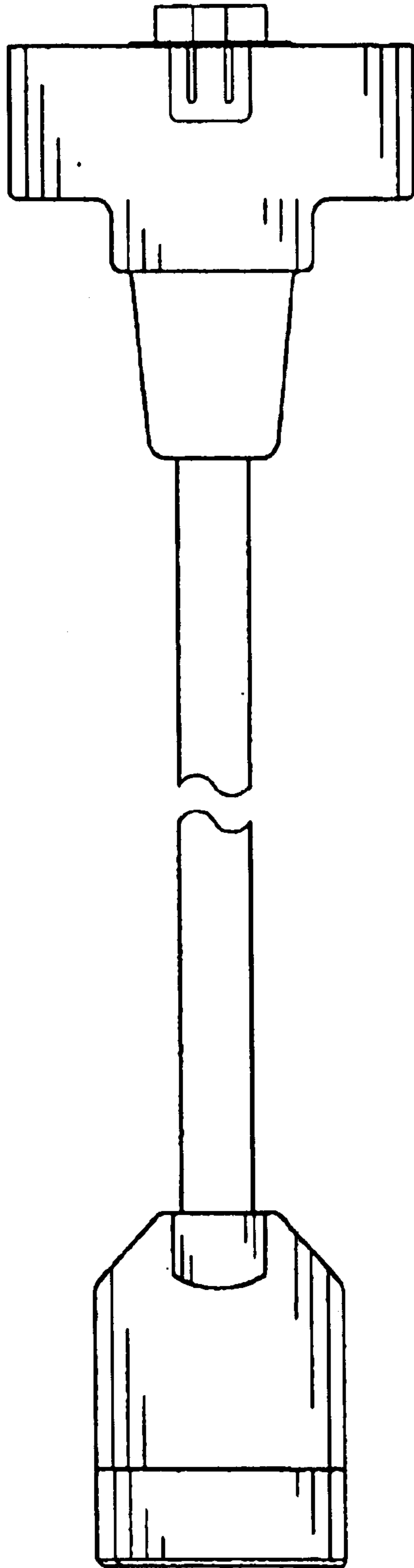


FIG. 2

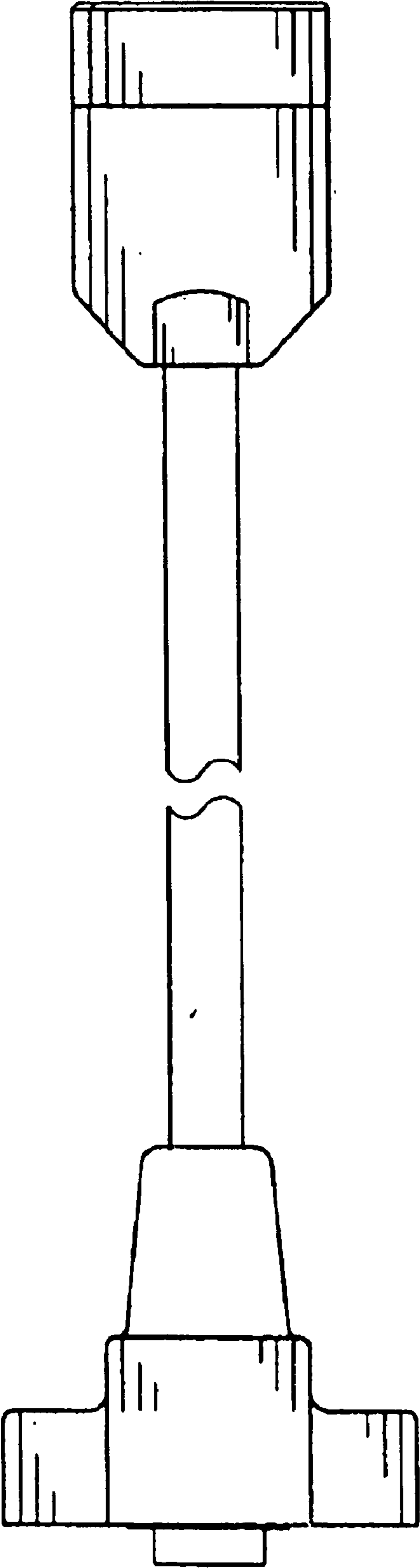


FIG. 3

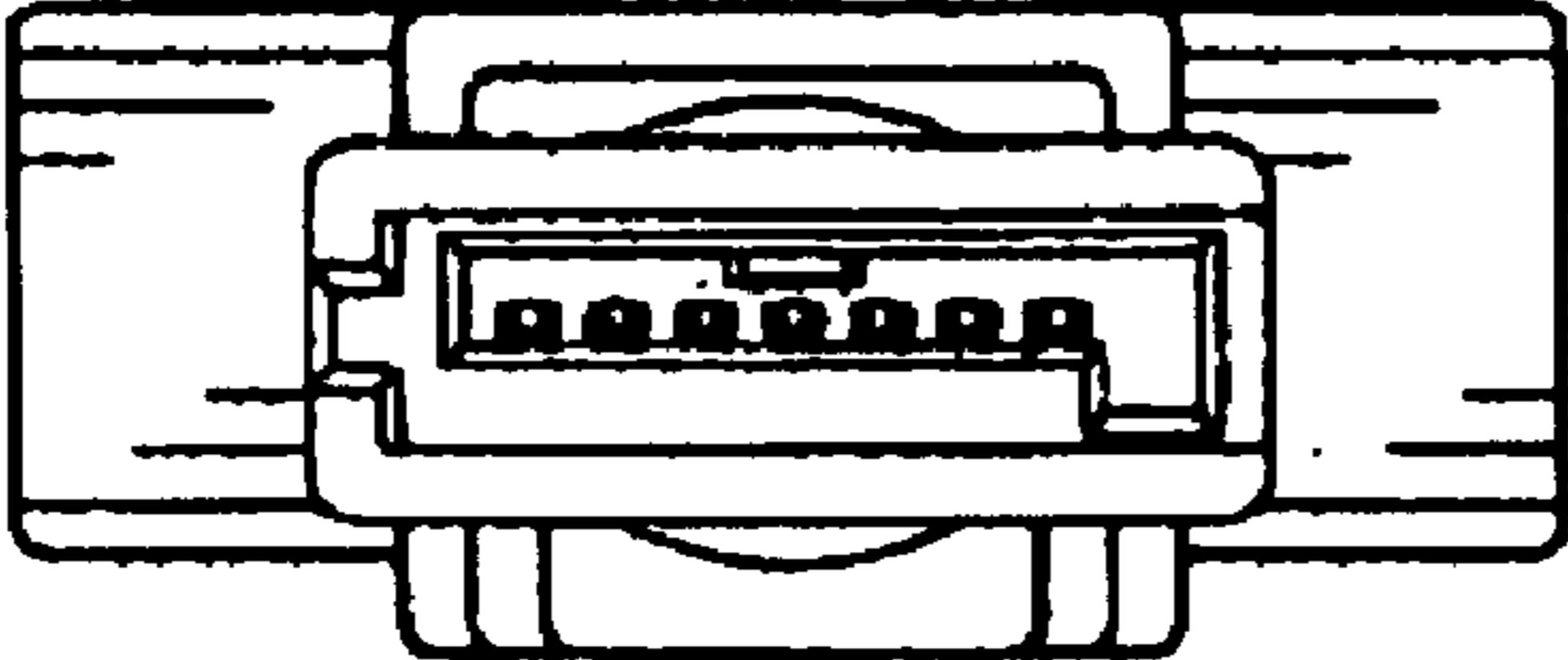


FIG. 4

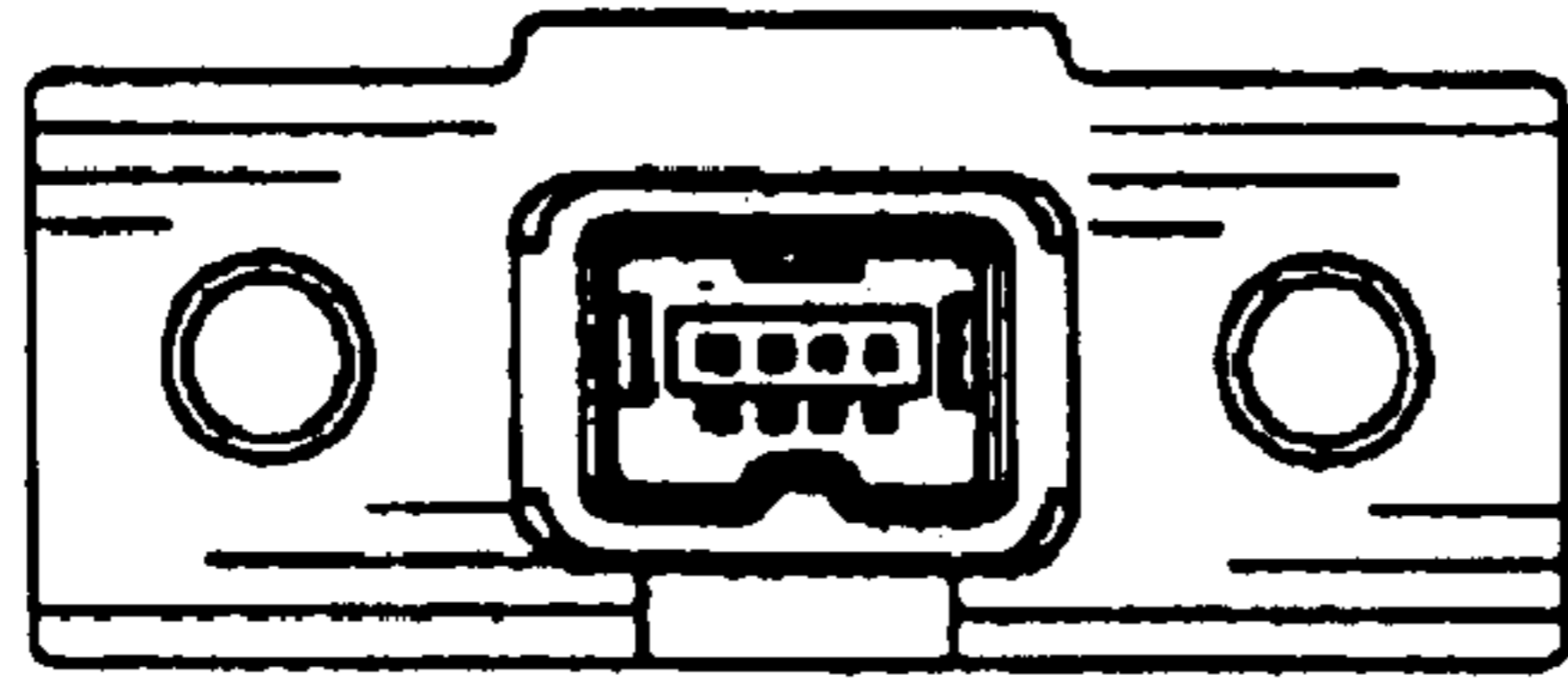


FIG. 5

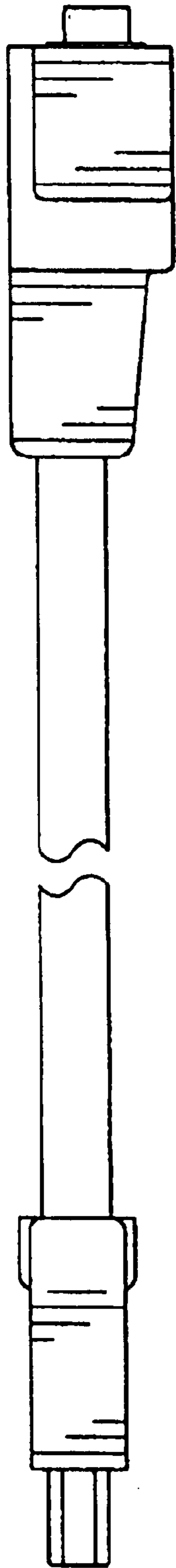


FIG. 6

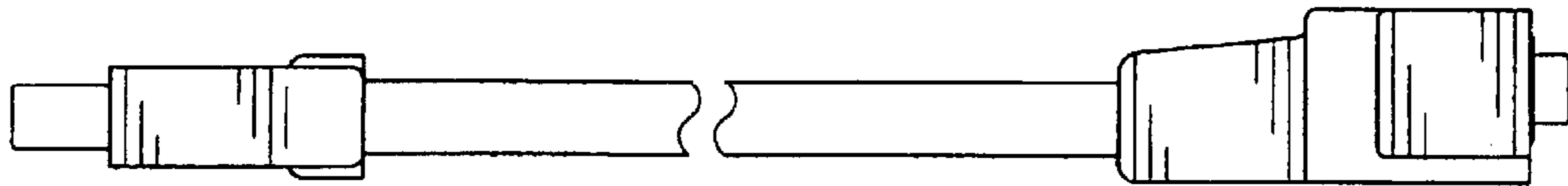


FIG. 7